



US00D612773S

(12) **United States Design Patent**
Merchant et al.

(10) **Patent No.:** **US D612,773 S**
(45) **Date of Patent:** **** Mar. 30, 2010**

(54) **RELEASABLE BIASED LATCH DEVICE FOR A TOW BAR**

(75) Inventors: **David Merchant**, Lincoln, NE (US);
Steven Goodman, Pender, NE (US);
James Huston, Yankton, SD (US); **Les Roeber**, Emerson, NE (US)

(73) Assignee: **Automatic Equipment Manufacturing Company**, Pender, NE (US)

(**) Term: **14 Years**

(21) Appl. No.: **29/314,632**

(22) Filed: **Apr. 15, 2009**

(51) **LOC (9) Cl.** **12-16**

(52) **U.S. Cl.** **D12/162**

(58) **Field of Classification Search** D12/106,
D12/114, 161-162, 199, 223, 400; 280/186,
280/402-405.2, 407-407.1, 415.1, 416.1-416.3,
280/479.2, 477, 482-483, 485-486, 490.1,
280/491.1-491.3, 491.5, 493-495, 498-499,
280/507, 509, 511-513; 224/500-537; 70/14,
70/58, 232, 258

See application file for complete search history.

(56) **References Cited**

U.S. PATENT DOCUMENTS

4,376,544	A *	3/1983	Sette et al.	280/507
5,735,539	A *	4/1998	Kravitz	280/506
5,941,550	A *	8/1999	Szczypski	280/479.2
6,598,432	B1 *	7/2003	Dwyer	70/14
6,834,879	B1 *	12/2004	Lorman	280/506

* cited by examiner

Primary Examiner—T. Chase Nelson
Assistant Examiner—Kathleen M Sims
(74) *Attorney, Agent, or Firm*—Donald R. Schoonover

(57) **CLAIM**

We claim the ornamental design for a releasable biased latch device for a tow bar, as shown and described.

DESCRIPTION

FIG. 1 is a perspective top, side and end view of a releasable biased latch device for a tow bar showing our new design; the broken lines in the various FIGURES depict environmental structure for illustrative purposes only and form no part of the claimed design;

FIG. 2 is a side elevational view thereof showing the latch device in a latched configuration, the elevational view of the opposing side being identical thereto;

FIG. 3 is a side elevational view showing the latch device in a released configuration;

FIG. 4 is a top plan view thereof;

FIG. 5 is a bottom plan view thereof;

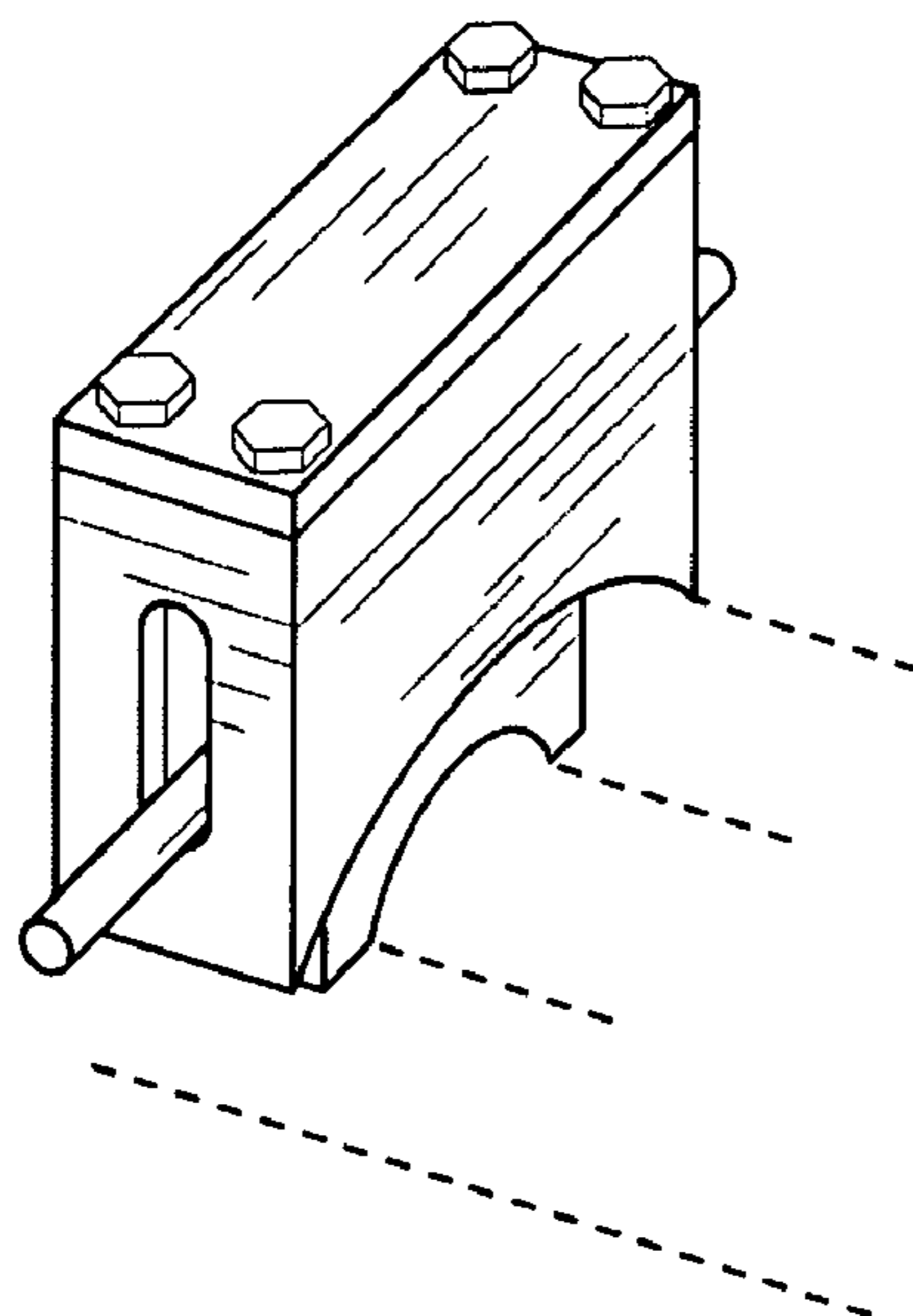
FIG. 6 is an end elevational view thereof showing the latch device in the latched configuration, the elevational view of the opposing end being identical thereto;

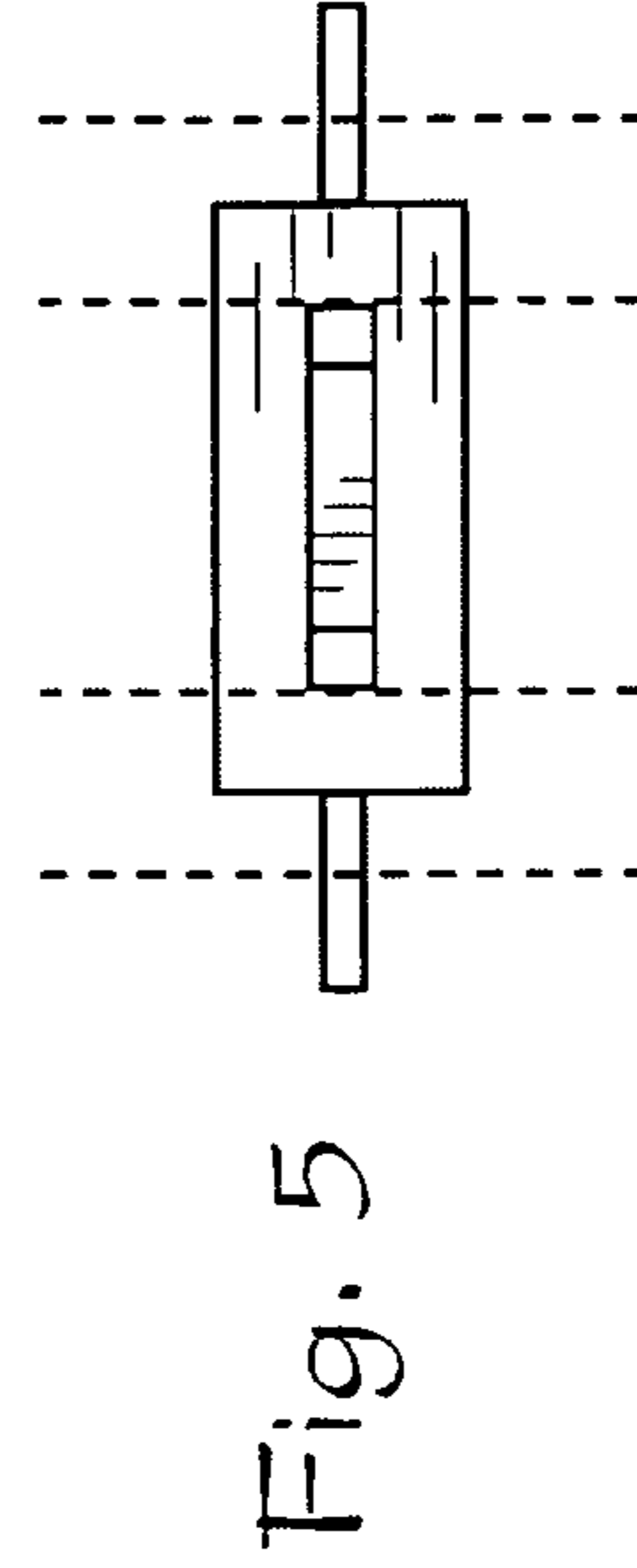
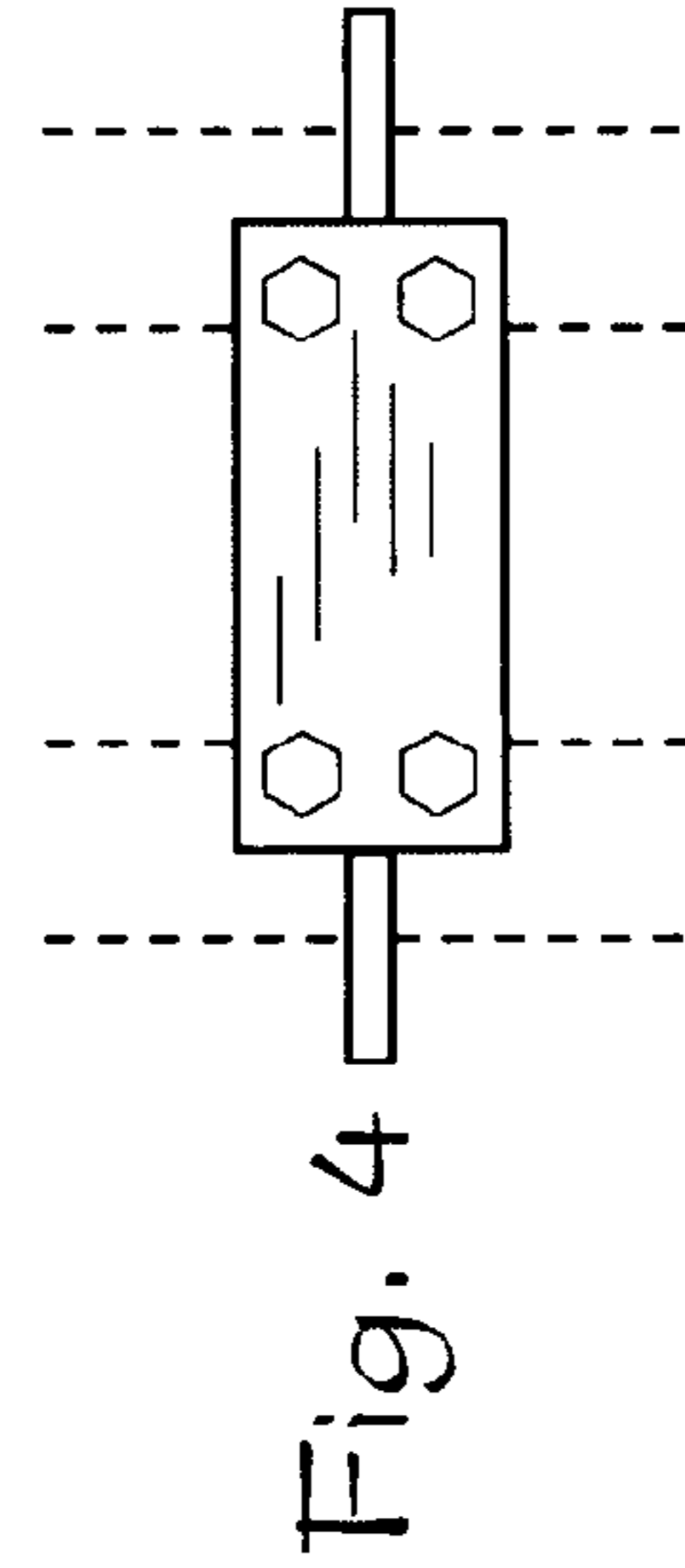
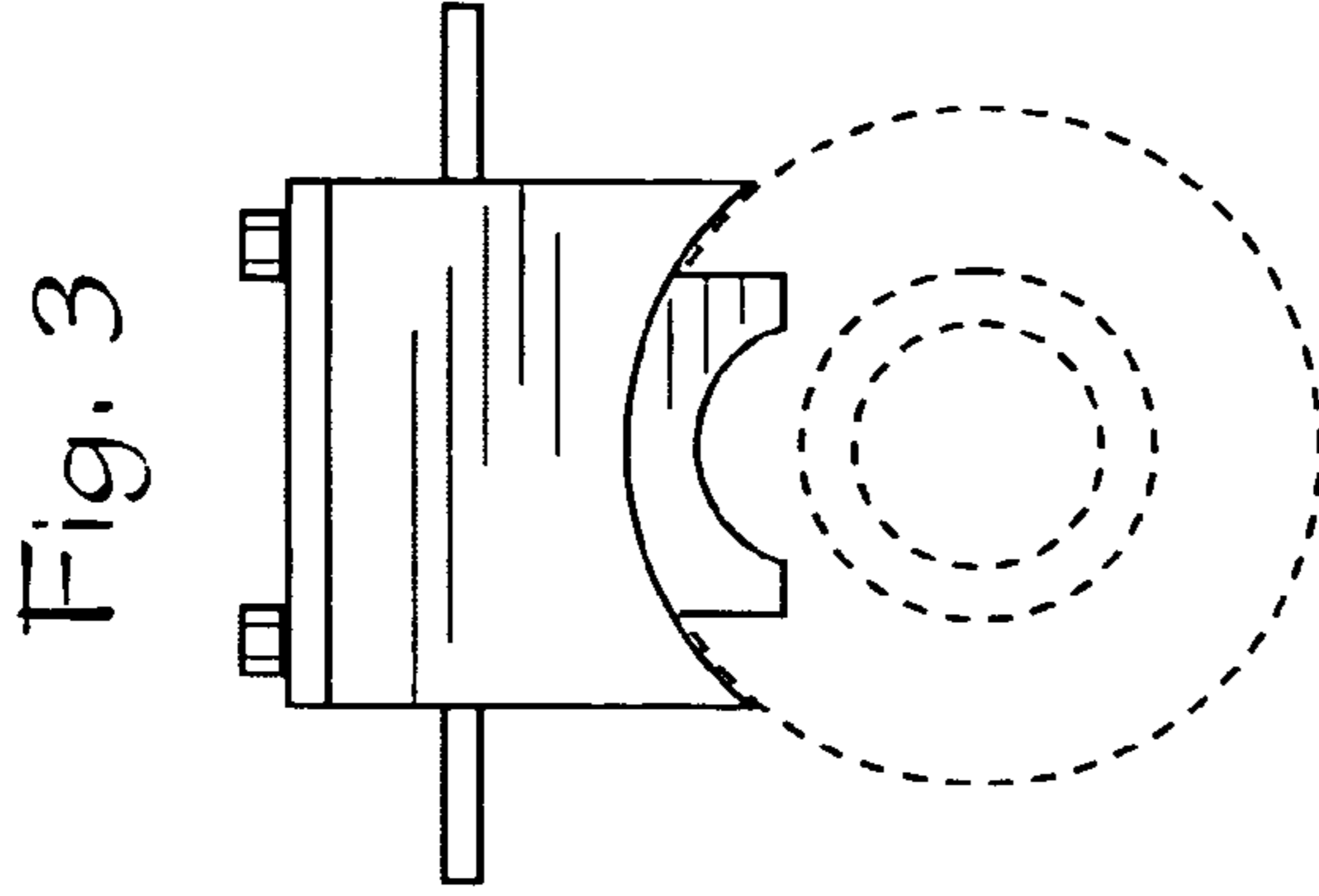
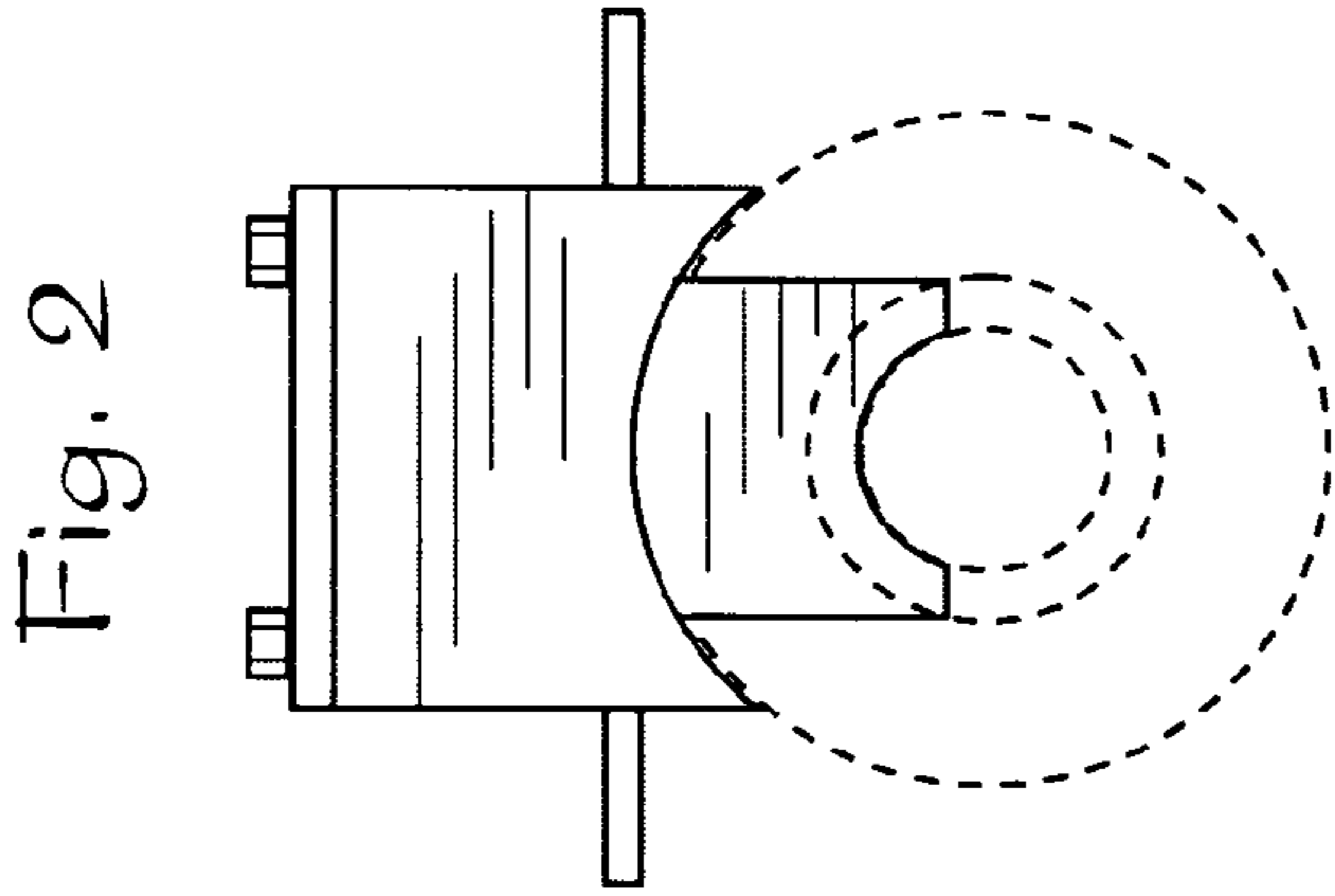
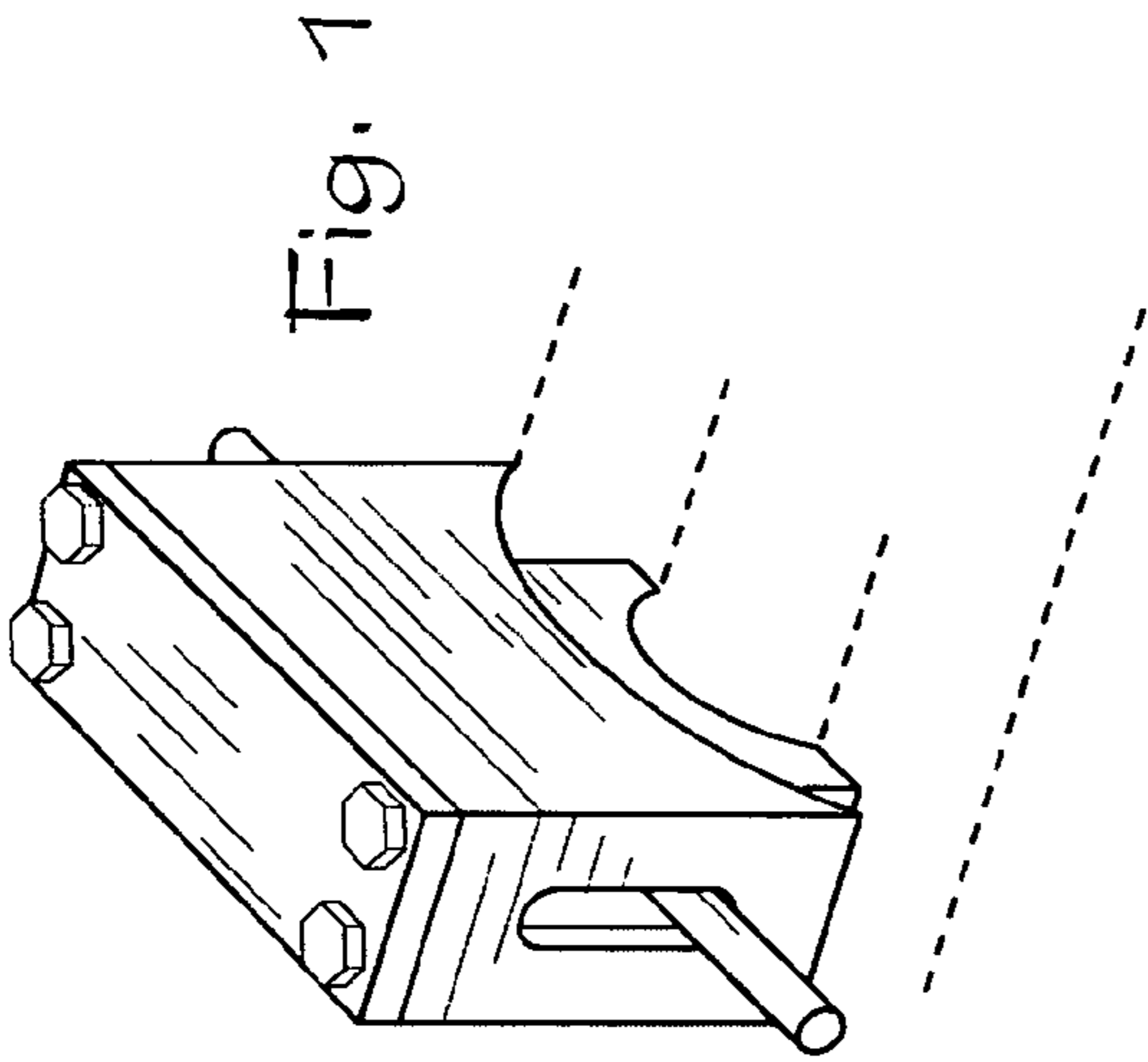
FIG. 7 is an end elevational view showing the latch device in the released configuration; and,

FIG. 8 is a reduced side elevational view showing the releasable biased latch device in use.

The broken line showing of details in FIGS. 1-8 is included for the purpose of showing environmental portions of the releasable biased latch for a tow bar and forms no part of the claimed design.

1 Claim, 2 Drawing Sheets





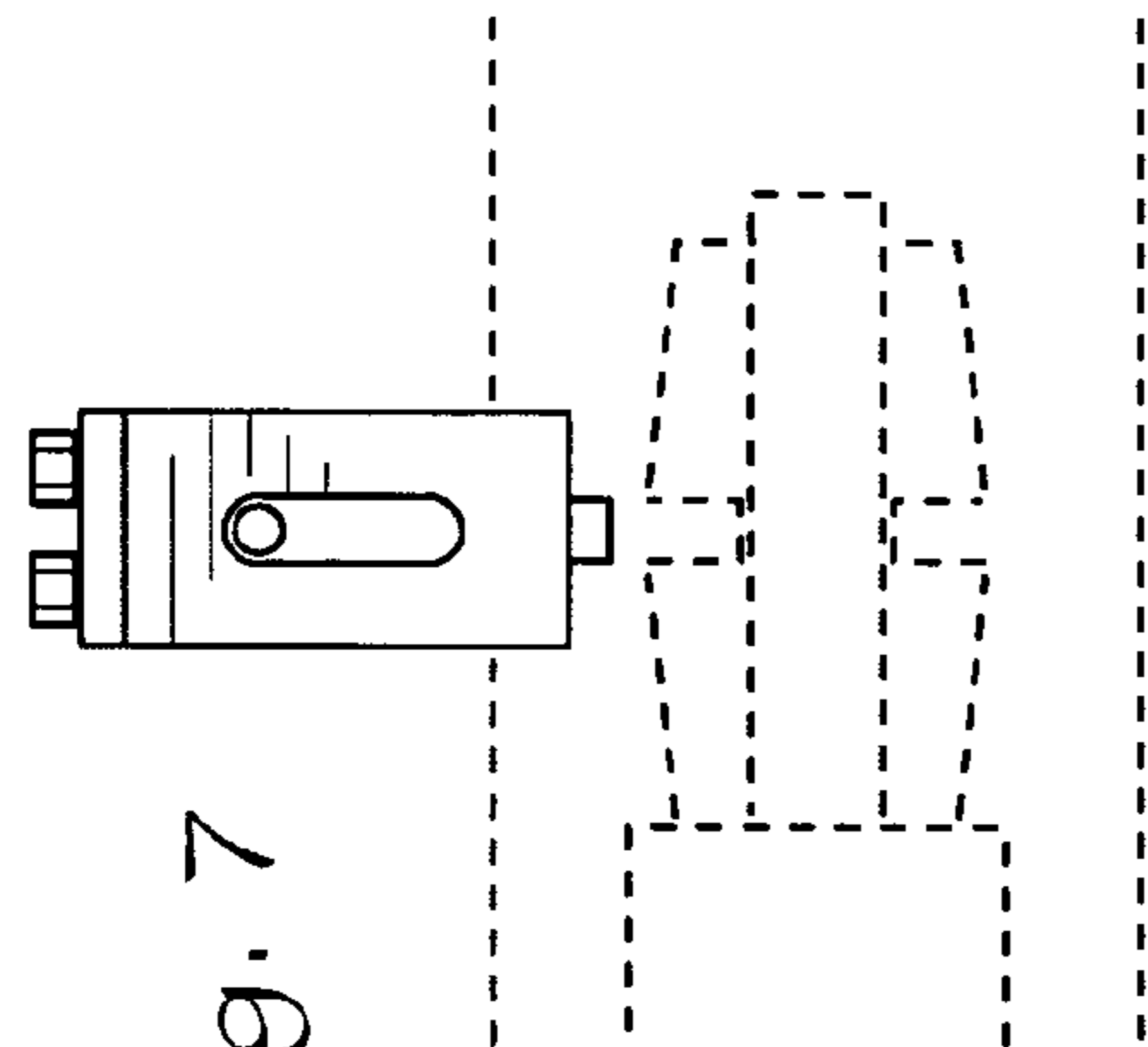


Fig. 7

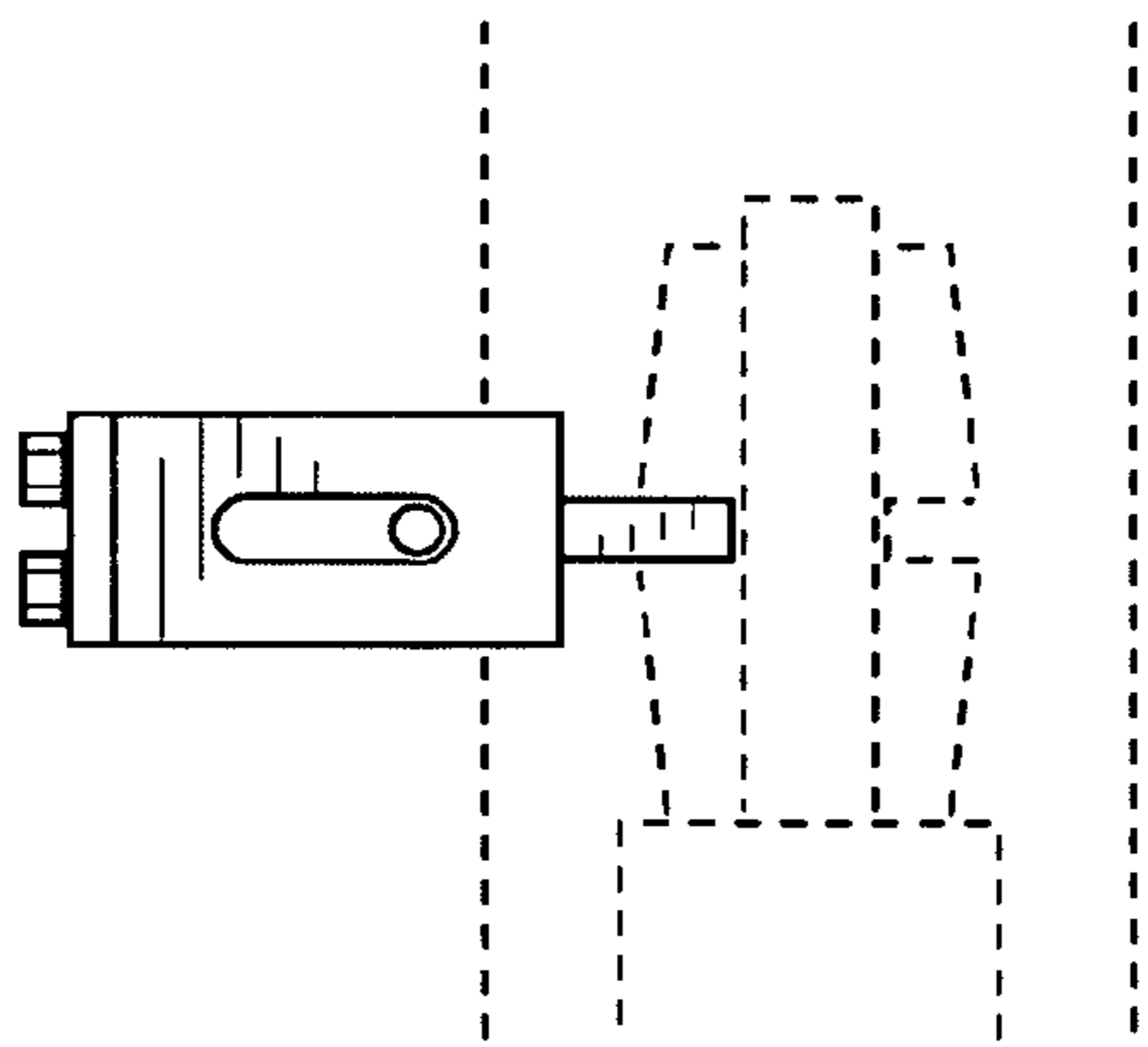


Fig. 6

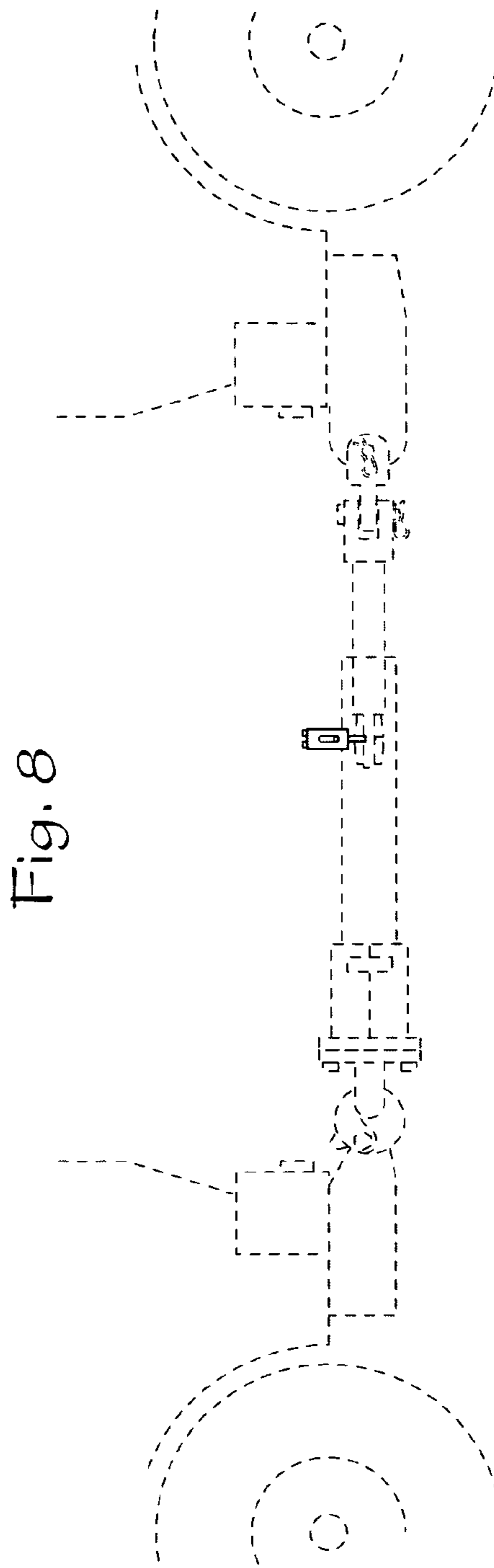


Fig. 8