



US00D612771S

(12) **United States Design Patent**
Porsche

(10) **Patent No.:** **US D612,771 S**
(45) **Date of Patent:** **** Mar. 30, 2010**

(54) **MOTORCYCLE TELESCOPING FOOT SUPPORT UNIT**

2008/0047389 A1 2/2008 LeClaire

(76) Inventor: **Michael John Porsche**, 345 N. Clinton St., Orange, CA (US) 92867

* cited by examiner

Primary Examiner—Philip S Hyder

Assistant Examiner—Linda Brooks

(74) *Attorney, Agent, or Firm*—QuickPatents, Inc.; Kevin Prince

(**) Term: **14 Years**

(21) Appl. No.: **29/341,607**

(22) Filed: **Aug. 10, 2009**

(57) **CLAIM**

I claim the ornamental design for a motorcycle telescoping foot support unit, as shown and described.

(51) **LOC (9) Cl.** **12-11**

(52) **U.S. Cl.** **D12/114**

(58) **Field of Classification Search** D12/125,
D12/114, 110; 296/75; 74/560, 562.5, 564,
74/594.1–594.7, 599–602, 478, 512, 473.16;
280/163, 288.4, 291; 180/219, 230, 301
See application file for complete search history.

DESCRIPTION

FIG. 1 is a perspective view of a motorcycle telescoping foot support unit, showing my new design;

FIG. 2 is an enlarged perspective view thereof, illustrated with a left foot support in an extended position, and a right foot support in a collapsed position;

FIG. 3 is a front elevational view thereof, illustrated with the left and right foot supports both in the extended position;

FIG. 4 is a rear elevational view of FIG. 3;

FIG. 5 is a left-side elevational view thereof, the right-side elevational view being a mirror image thereof;

FIG. 6 is a top plan view of FIG. 3;

FIG. 7 is a top plan view thereof, illustrated with the left and right foot supports both in the collapsed position; and,

FIG. 8 is a bottom plan view of FIG. 3.

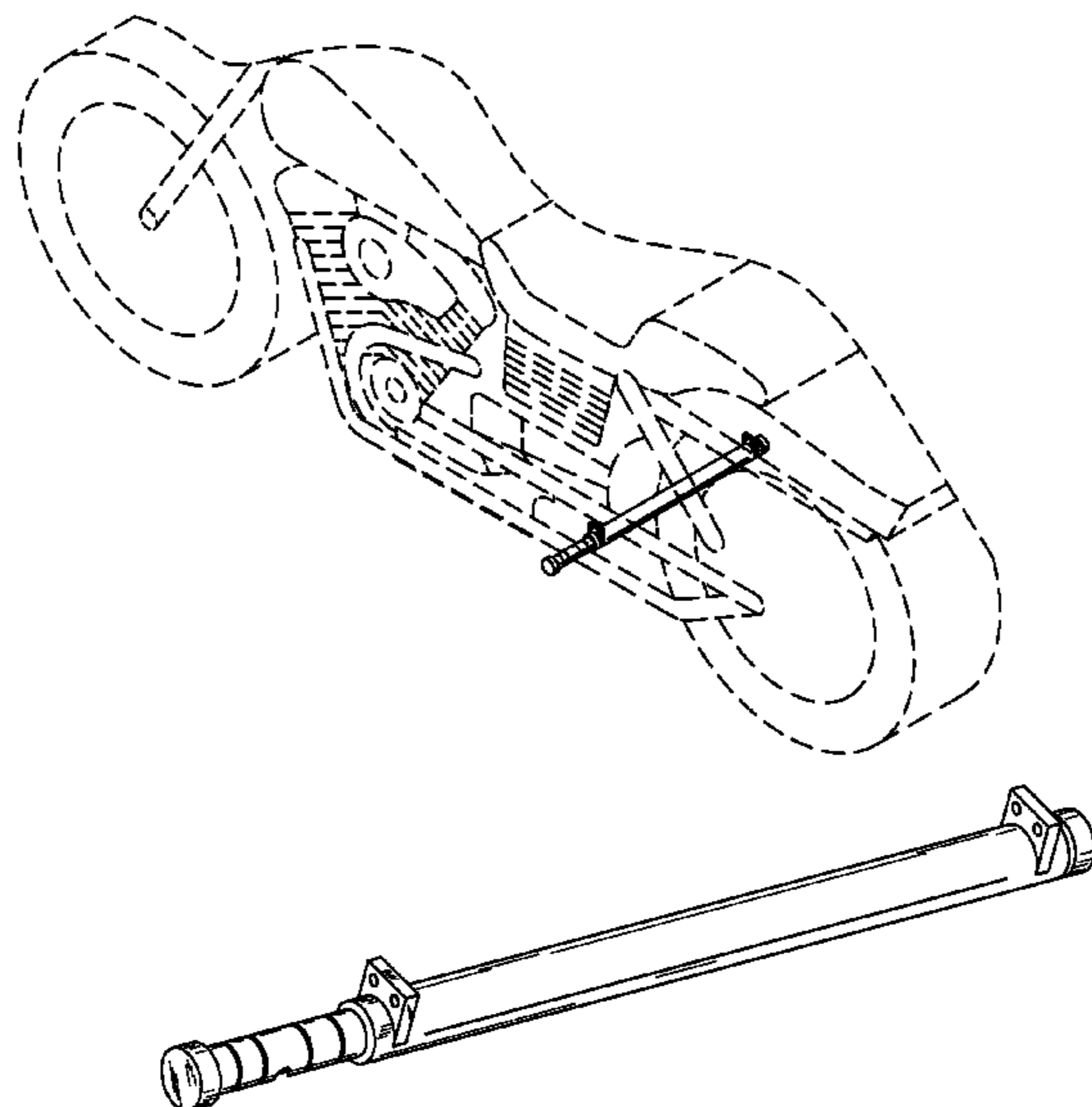
The broken lines showing a motorcycle in FIG. 1 are included for the purpose of illustrating the invention in use, and form no part of the claimed design.

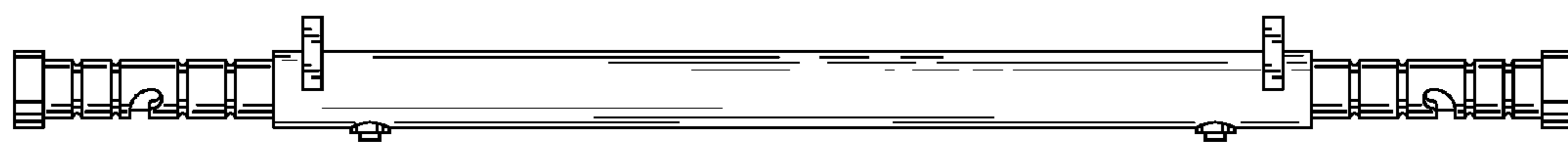
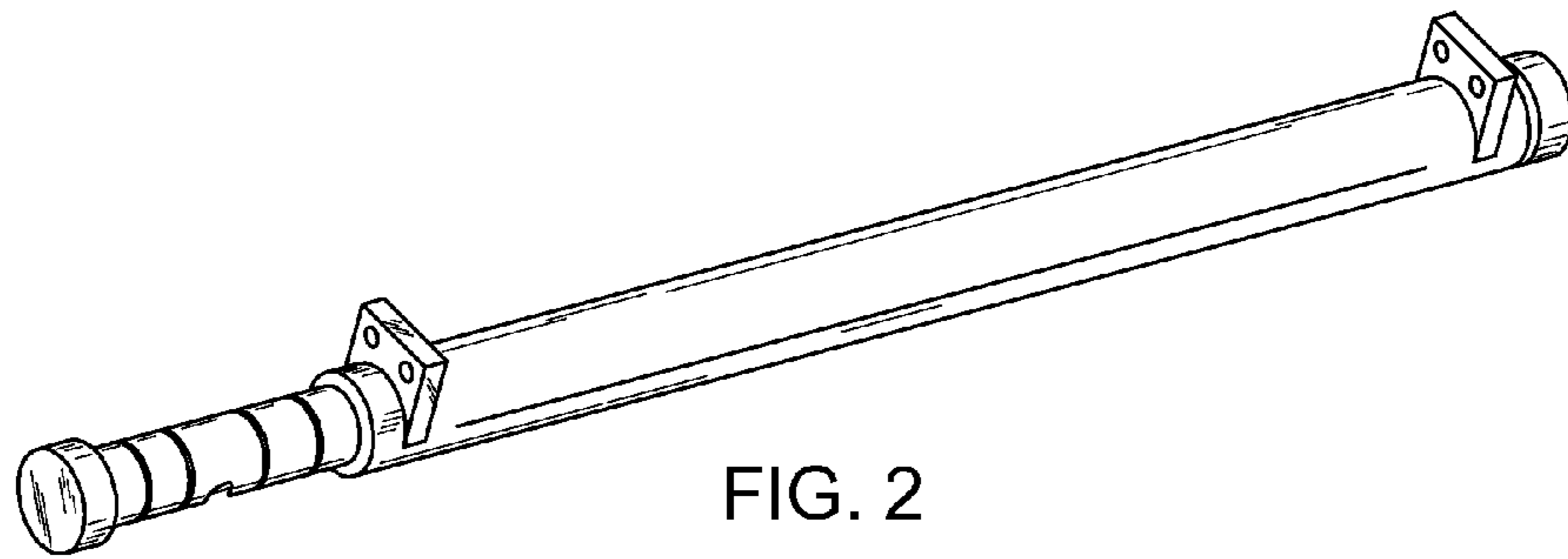
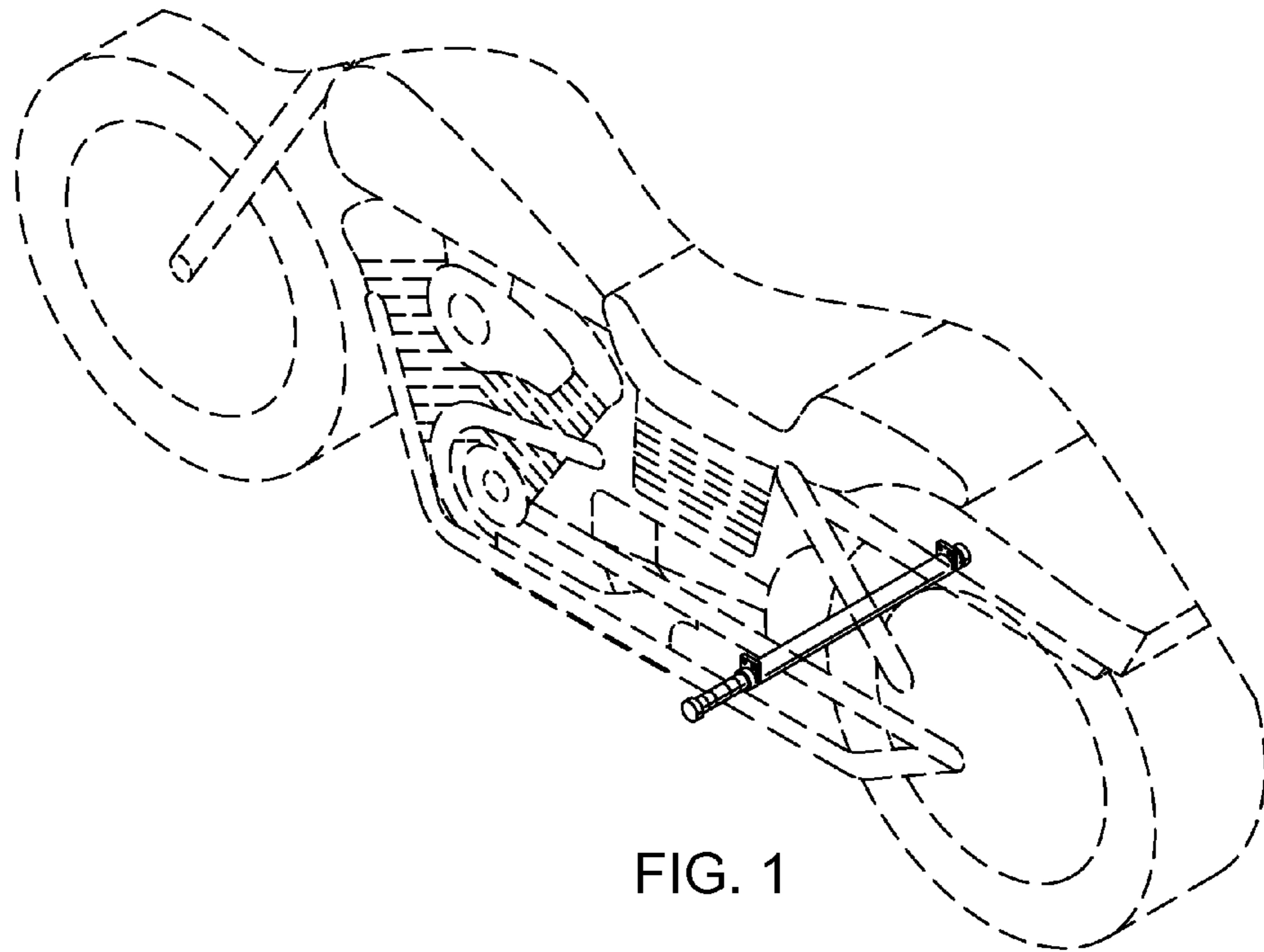
(56) **References Cited**

U.S. PATENT DOCUMENTS

374,287	A *	12/1887	Benfield	280/291
379,557	A *	3/1888	Benfield	280/291
3,794,353	A	2/1974	Oliver		
4,456,090	A	6/1984	Malenotti		
4,797,791	A	1/1989	Burchick		
5,524,918	A	6/1996	Peabody		
5,779,254	A	7/1998	James		
5,997,023	A	12/1999	Sauter		
6,648,357	B2	11/2003	Hotch		
7,111,375	B2	9/2006	Buckhouse		
7,458,596	B1	12/2008	Sema		
7,475,897	B2 *	1/2009	Wang	280/291
2004/0222613	A1	11/2004	Cramer		

1 Claim, 2 Drawing Sheets





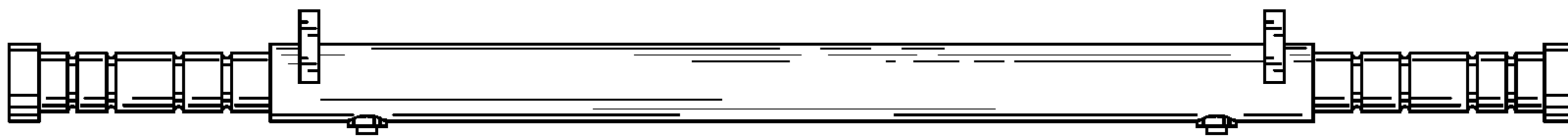


FIG. 4



FIG. 5

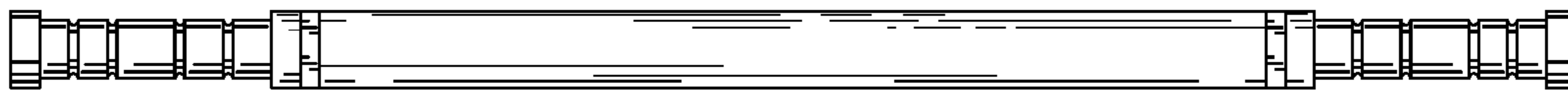


FIG. 6

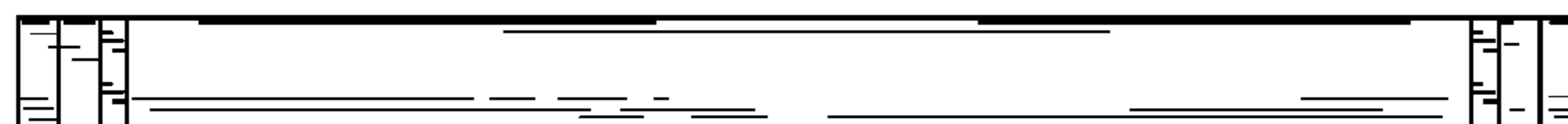


FIG. 7



FIG. 8