



US00D612767S

(12) **United States Design Patent**
Barkan

(10) **Patent No.:** **US D612,767 S**
(45) **Date of Patent:** **** Mar. 30, 2010**

(54) **AUTOMOTIVE BODY**

(76) Inventor: **Elad Barkan**, P.O. Box 81, Karmiel (IL)
20100

(**) Term: **14 Years**

(21) Appl. No.: **29/287,703**

(22) Filed: **Sep. 8, 2007**

(51) **LOC (9) Cl.** **12-16**

(52) **U.S. Cl.** **D12/86**

(58) **Field of Classification Search** D12/91,
D12/92, 86, 82, 90, 88, 84, 93, 100, 103,
D12/105, 96, 98, 99; D21/424, 433, 434;
296/181.1, 181.5, 185, 146.9, 96.12, 24.1,
296/156, 168, 178, 181, 183, 190, 37.6; 280/756,
280/423.1

See application file for complete search history.

(56) **References Cited**

U.S. PATENT DOCUMENTS

- D318,823 S * 8/1991 Wada et al. D12/91
- D318,829 S * 8/1991 Wada et al. D12/96
- D419,919 S * 2/2000 McGovern D12/91
- D430,068 S * 8/2000 Castiglione et al. D12/98
- D456,311 S * 4/2002 Yamamoto et al. D12/86

- D463,759 S * 10/2002 Okonkwo D12/98
- D474,716 S * 5/2003 Wakao D12/91
- D511,999 S * 11/2005 Gunby D12/86
- D551,118 S * 9/2007 Newton D12/91
- D566,004 S * 4/2008 Teague et al. D12/86
- D570,743 S * 6/2008 Takagi et al. D12/98

* cited by examiner

Primary Examiner—Robert M Spear

Assistant Examiner—Cynthia Underwood

(57) **CLAIM**

The ornamental design for an automotive body, as shown.

DESCRIPTION

FIG. 1 is a perspective view showing both the front and right side of an automotive body, showing my new design;

FIG. 2 is a left side elevational view thereof;

FIG. 3 is a right side elevational view thereof;

FIG. 4 is a front elevational view thereof;

FIG. 5 is a rear elevational view thereof; and,

FIG. 6 is a top view plan thereof.

The broken lines represent portions of the structure that form no part of the claim.

1 Claim, 6 Drawing Sheets

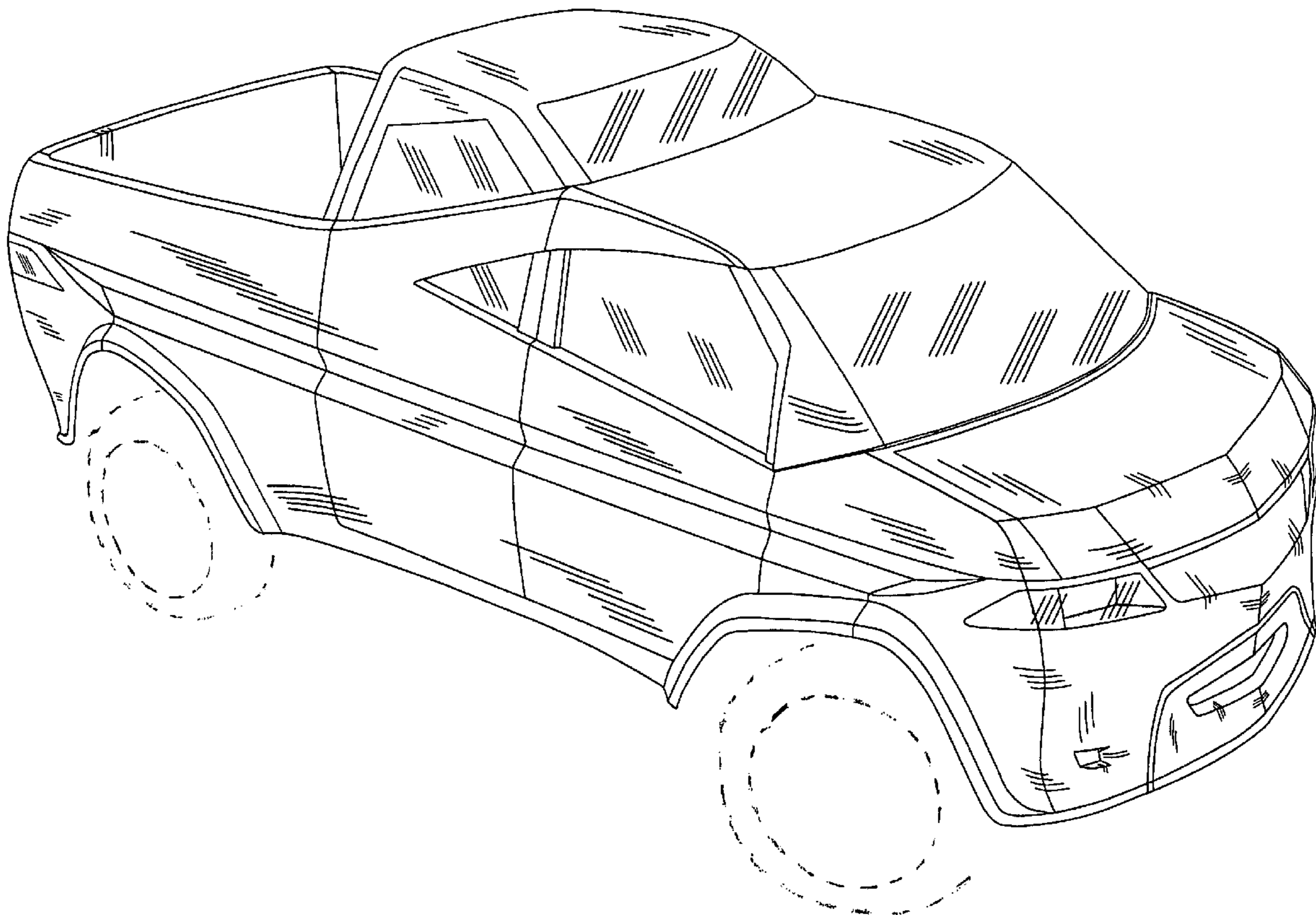


FIG. 1

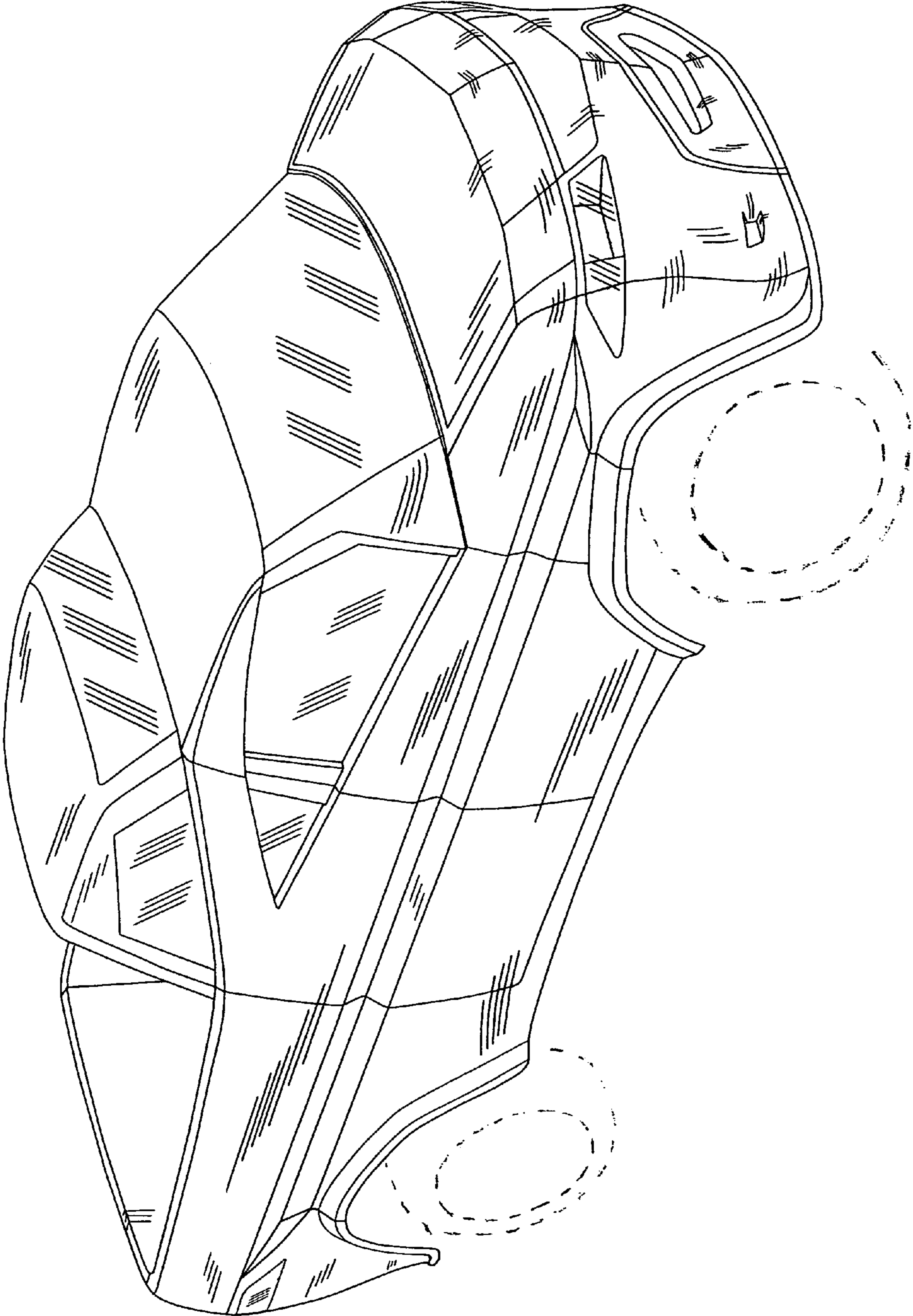


FIG. 2

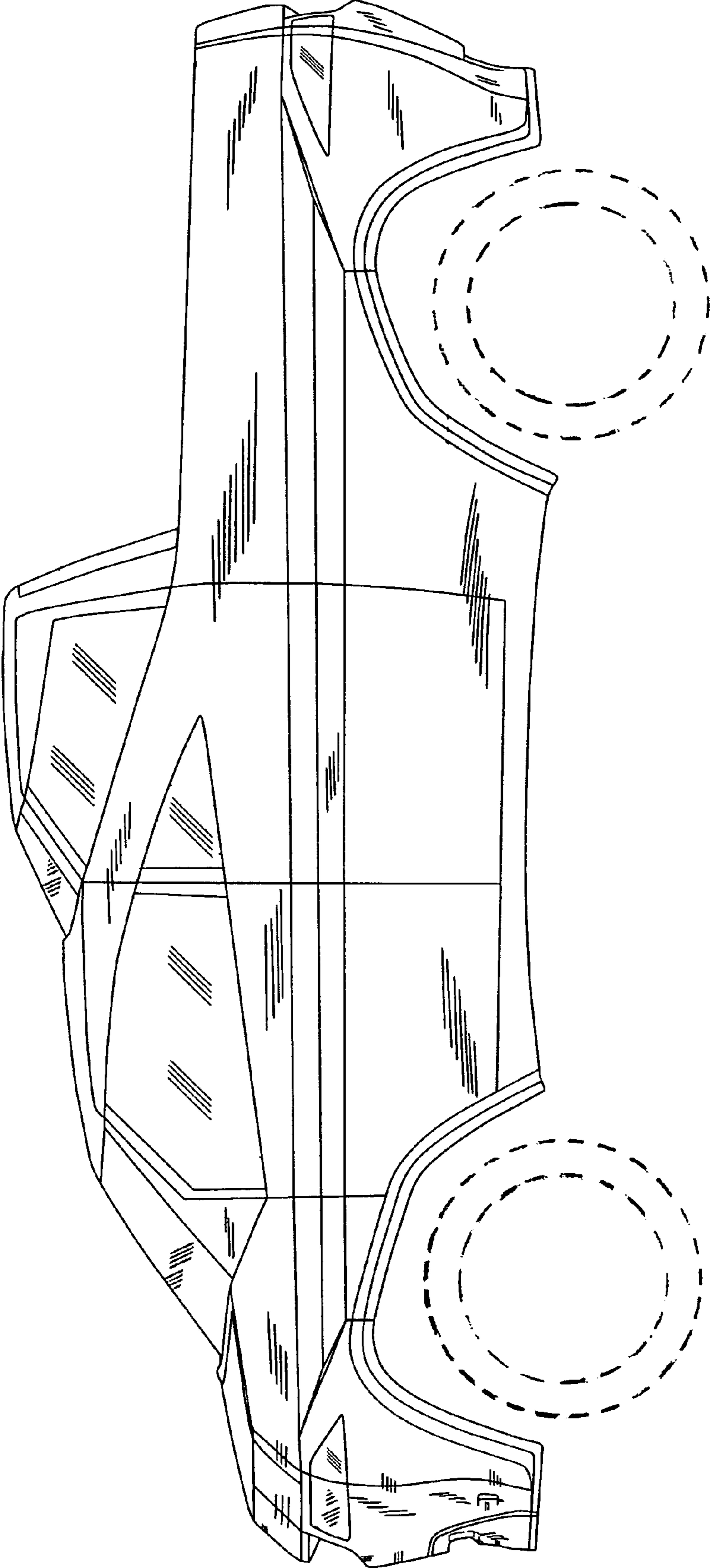


FIG. 3

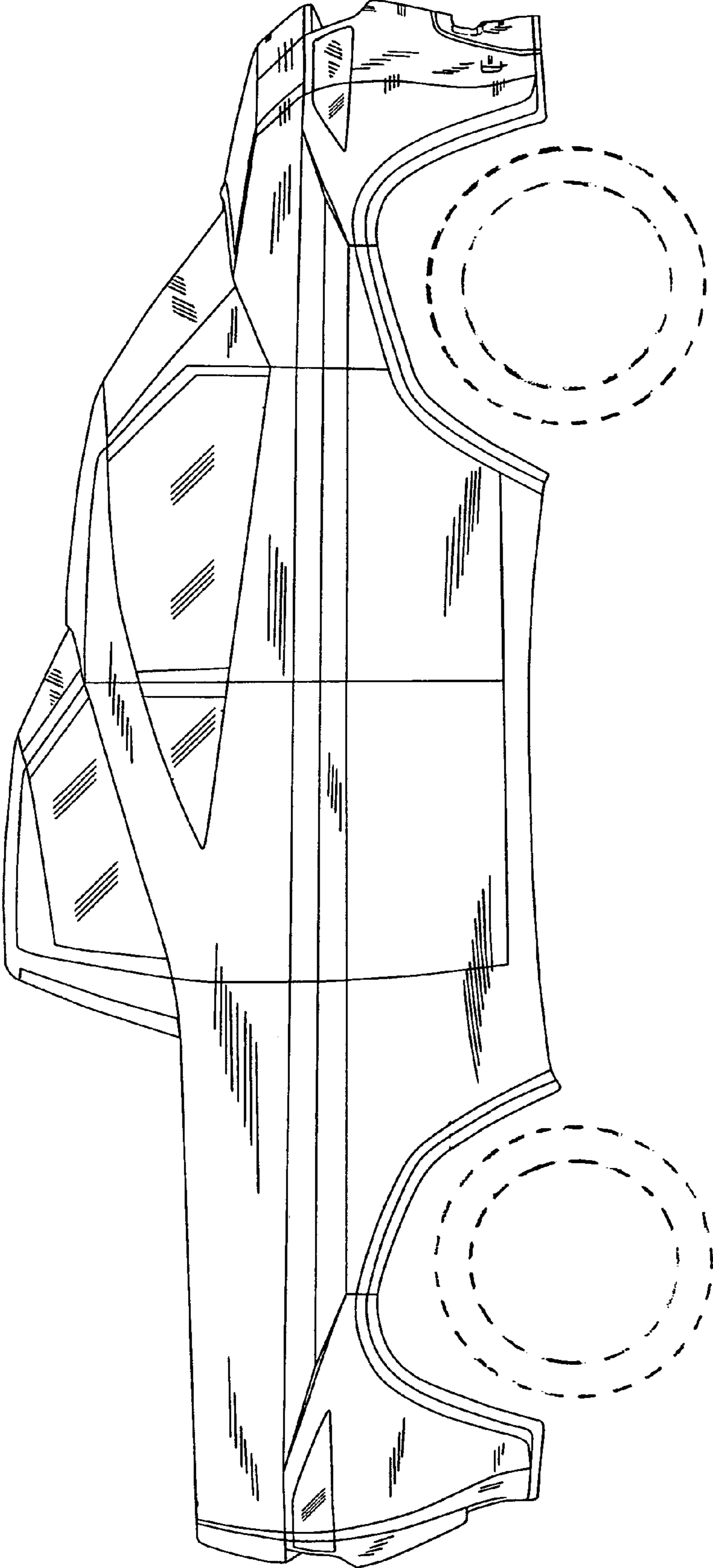


FIG. 4

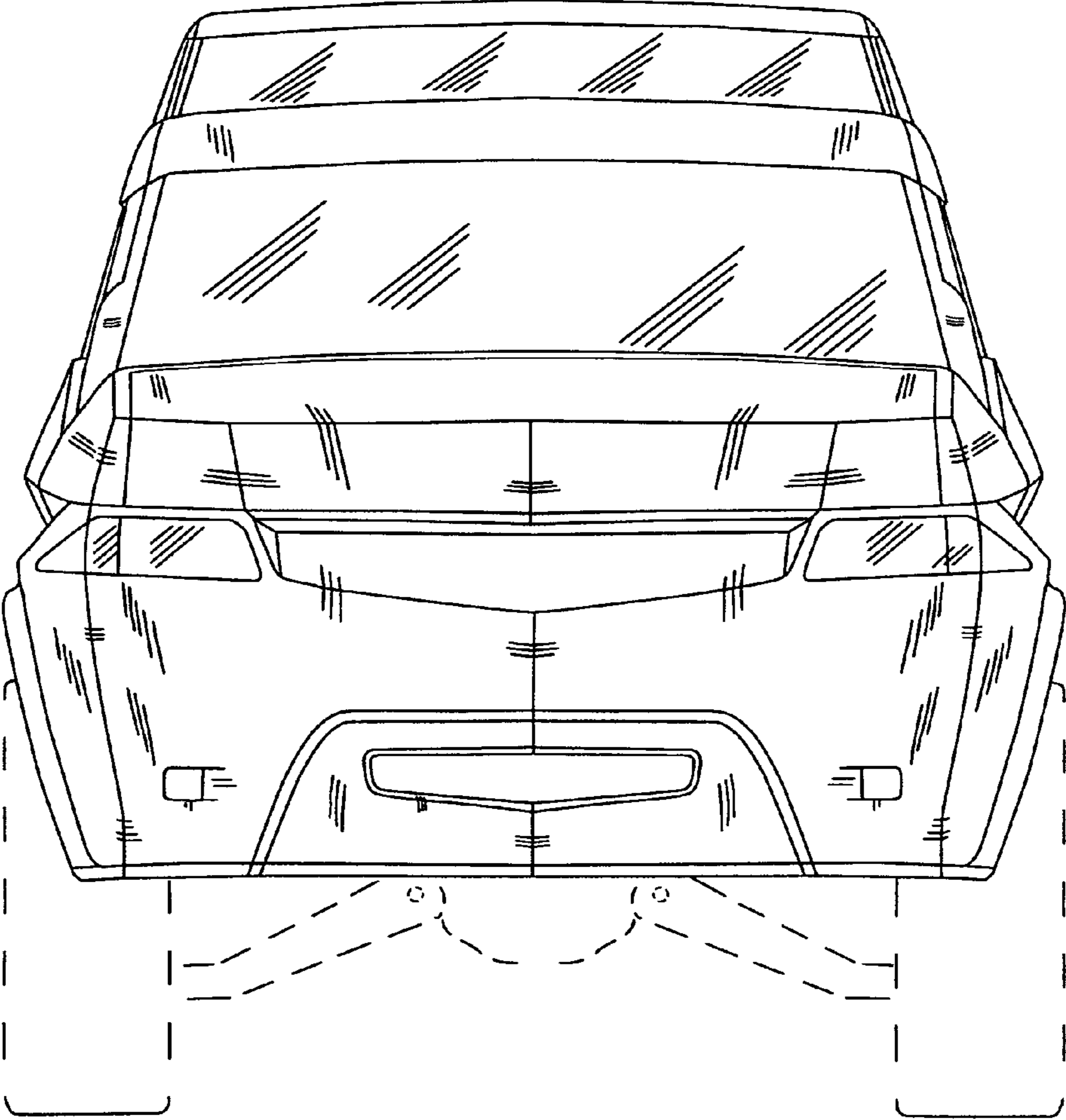


FIG. 5

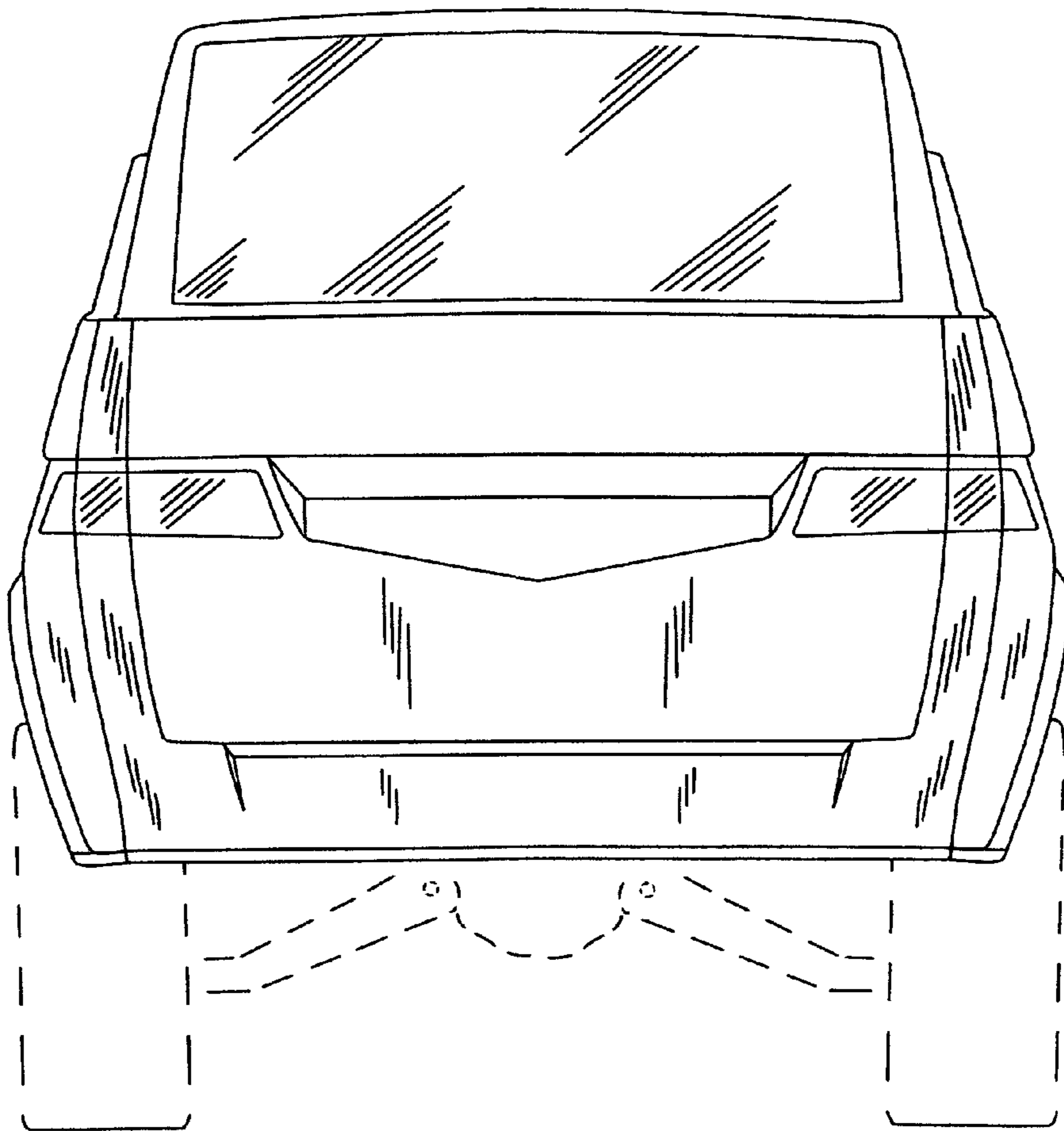


FIG. 6

