



US00D612764S

(12) **United States Design Patent**
Mountz et al.

(10) **Patent No.:** **US D612,764 S**
(45) **Date of Patent:** **** Mar. 30, 2010**

(54) **BUCKLE**

(75) Inventors: **Jonathan Kirk Mountz**, Elverson, PA
(US); **Nathanael Saint**, Morgantown, PA
(US)

(73) Assignee: **Nuna International B.V.**, Amsterdam
(NL)

(**) Term: **14 Years**

(21) Appl. No.: **29/311,249**

(22) Filed: **Jan. 29, 2009**

(51) **LOC (9) Cl.** **02-07**

(52) **U.S. Cl.** **D11/216**

(58) **Field of Classification Search** D11/200,
D11/214, 215, 216, 218, 220, 230, 231; D8/382,
D8/383, 339; 297/484; 24/614, 615, 625,
24/629, 633, 579.09, 636; D3/215; D2/627;
D29/101.1

See application file for complete search history.

(56) **References Cited**

U.S. PATENT DOCUMENTS

5,269,051 A * 12/1993 McFalls 24/632
D364,124 S * 11/1995 Lortz et al. D11/216
6,363,590 B1 * 4/2002 Lan 24/614
6,393,677 B1 * 5/2002 Anscher 24/630

6,463,638 B1 * 10/2002 Pontaoe 24/614
6,606,770 B1 * 8/2003 Badrenas Buscart 24/625
6,796,007 B1 * 9/2004 Anscher 24/633
6,868,591 B2 * 3/2005 Dingman et al. 24/615
D515,456 S * 2/2006 Gastaldi D11/216
7,360,287 B2 * 4/2008 Cerruti et al. 24/633
D580,820 S * 11/2008 Daykin D11/216
7,464,447 B2 * 12/2008 Khalifa et al. 24/615
D599,701 S * 9/2009 Jacobs et al. D11/216

* cited by examiner

Primary Examiner—Paula Greene

(74) *Attorney, Agent, or Firm*—Bacon & Thomas, PLLC

(57) **CLAIM**

The ornamental design for a buckle, as shown and described.

DESCRIPTION

FIG. 1 is a perspective view of a buckle;

FIG. 2 is a front view of the buckle;

FIG. 3 is a rear view of the buckle;

FIG. 4 is a right-side view of the buckle;

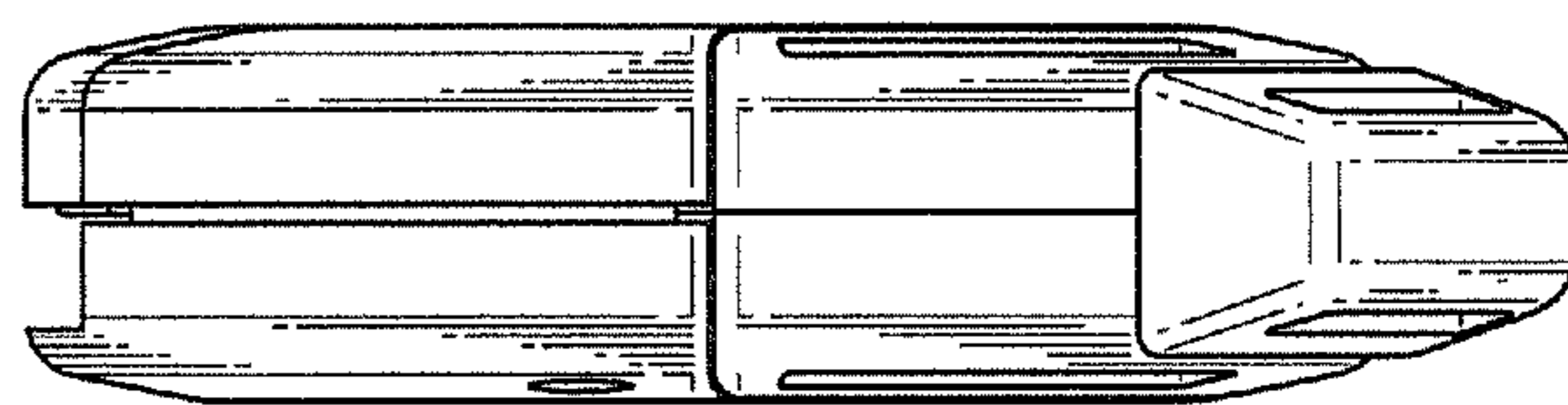
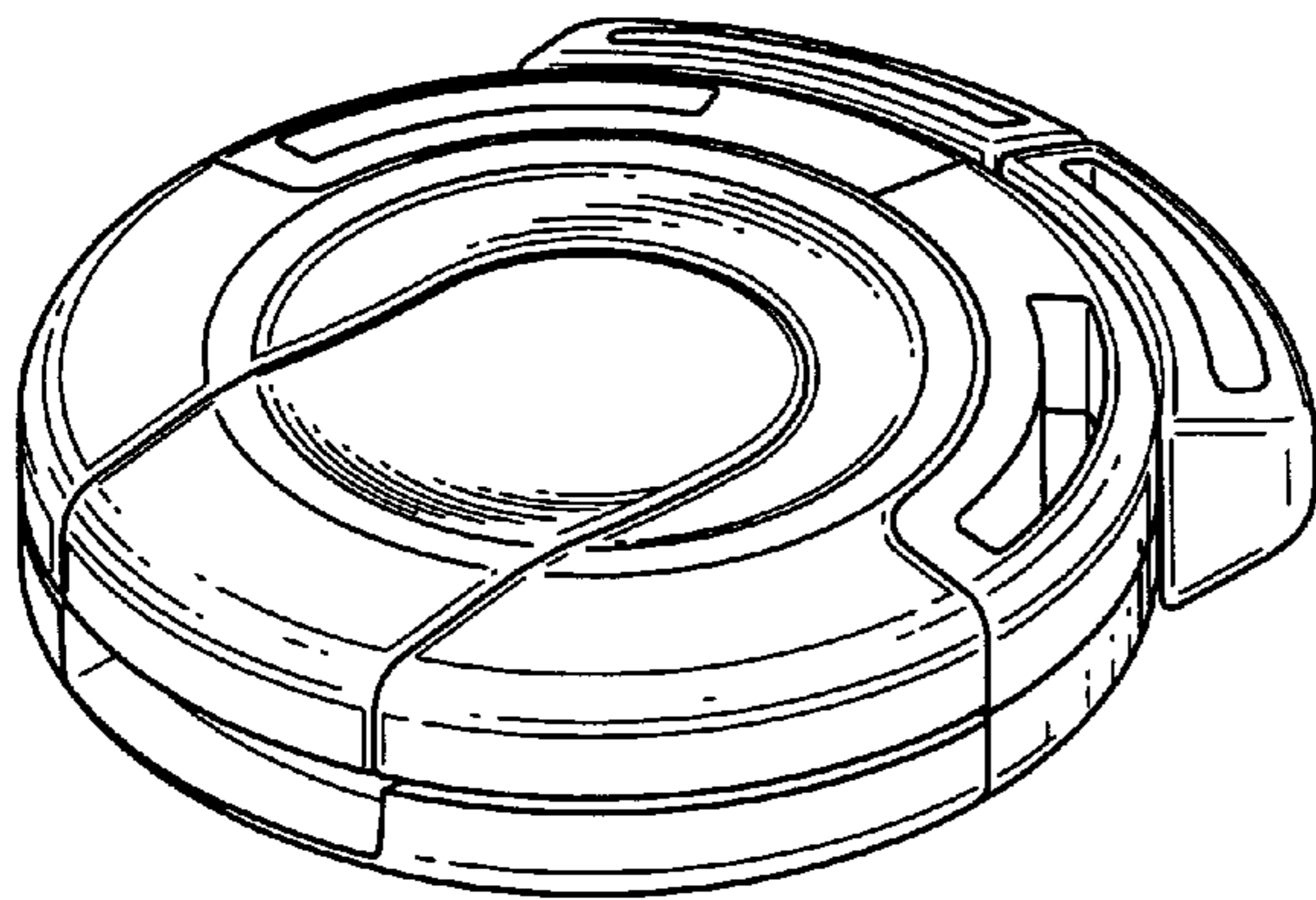
FIG. 5 is a left-side view of the buckle;

FIG. 6 is a top view of the buckle; and,

FIG. 7 is a bottom view of the buckle.

The broken lines form no part of the claimed design.

1 Claim, 3 Drawing Sheets



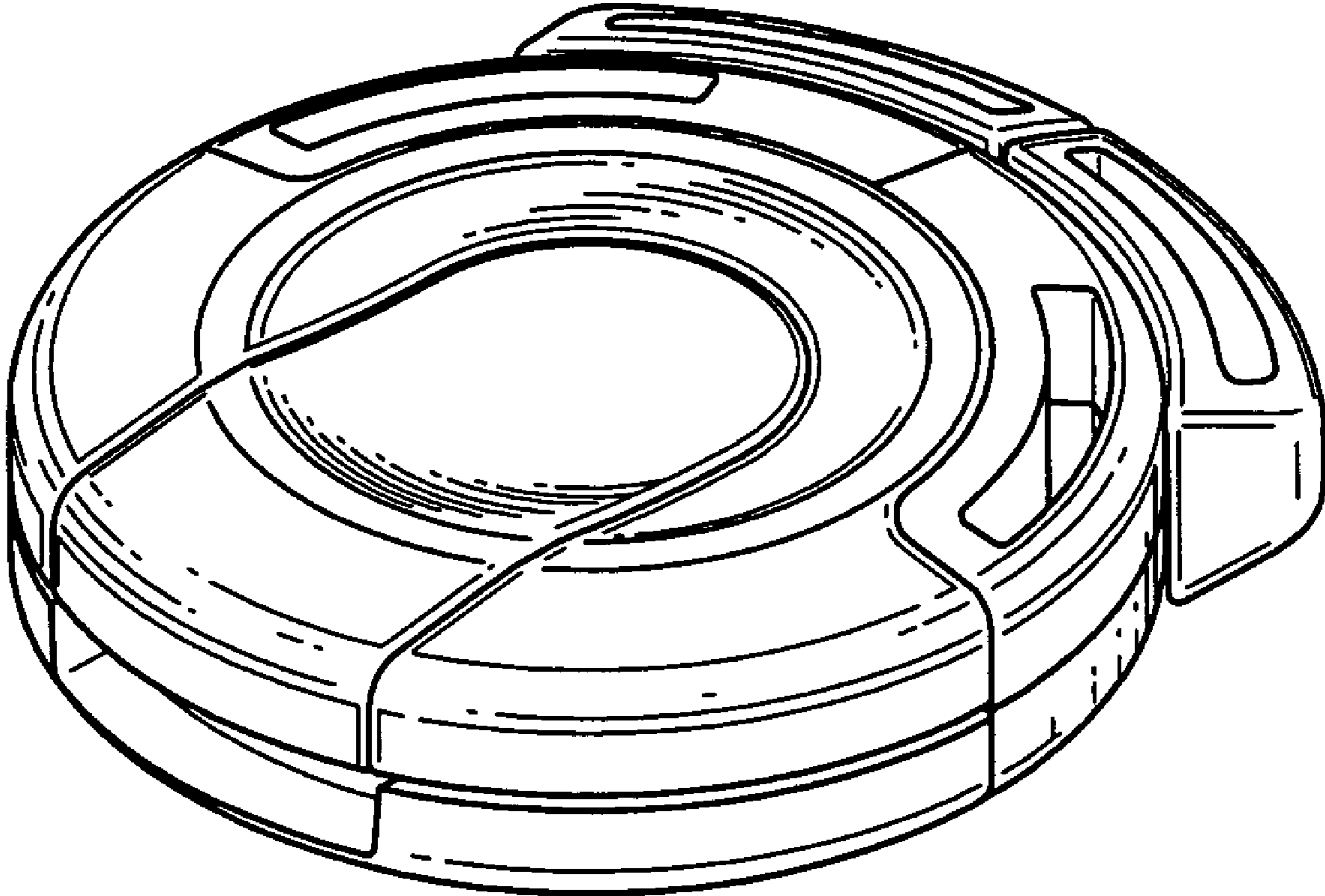


FIG. 1

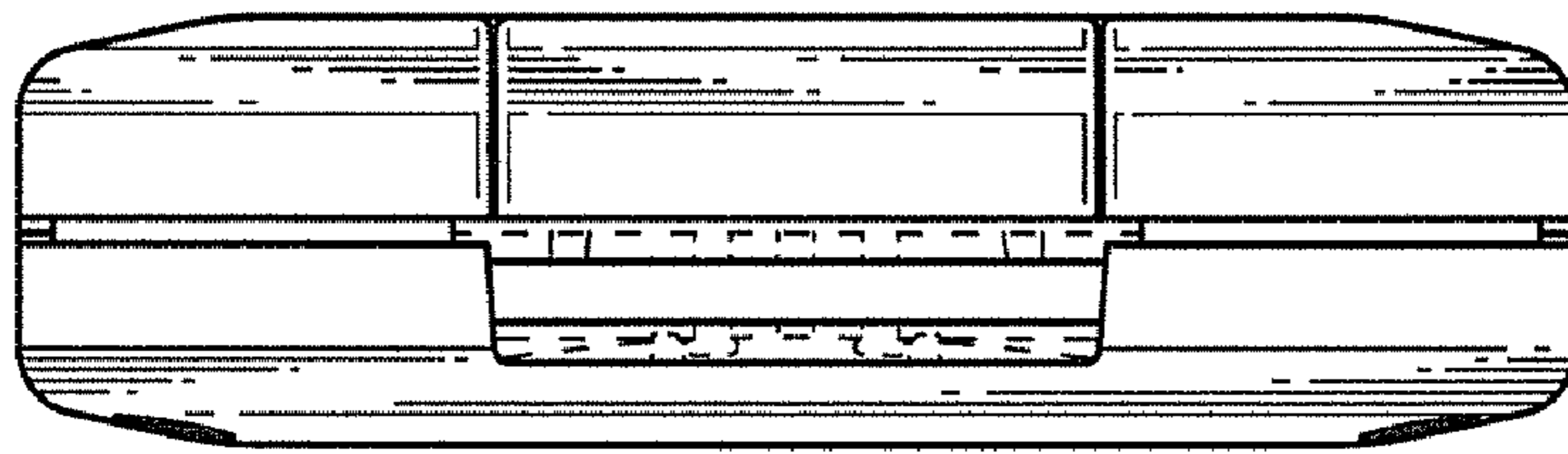


FIG. 2

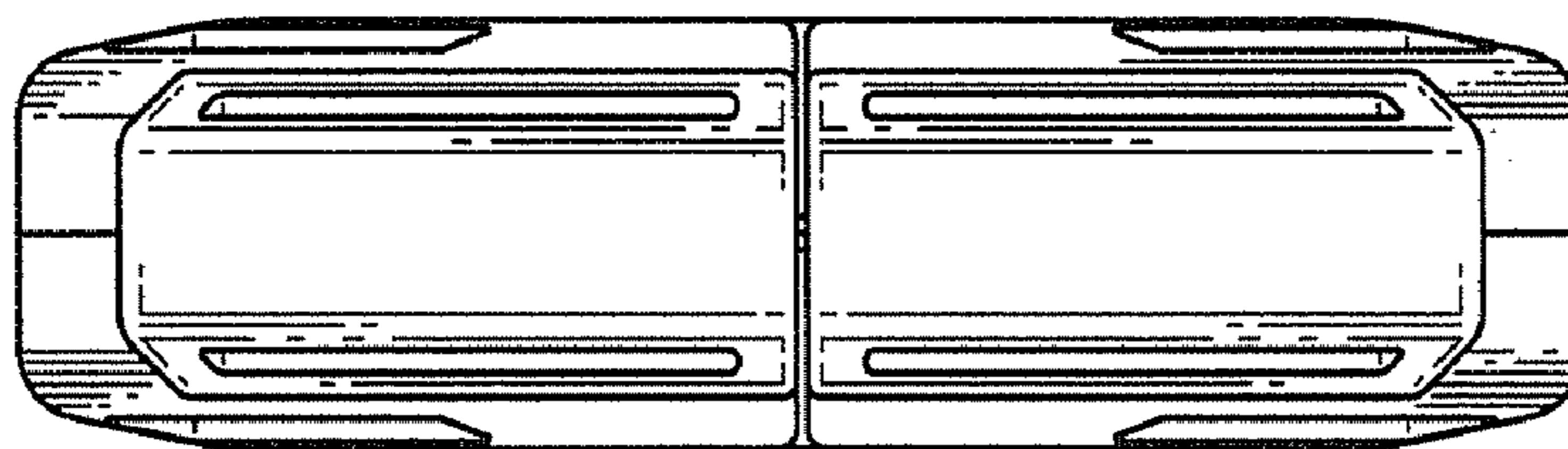


FIG. 3

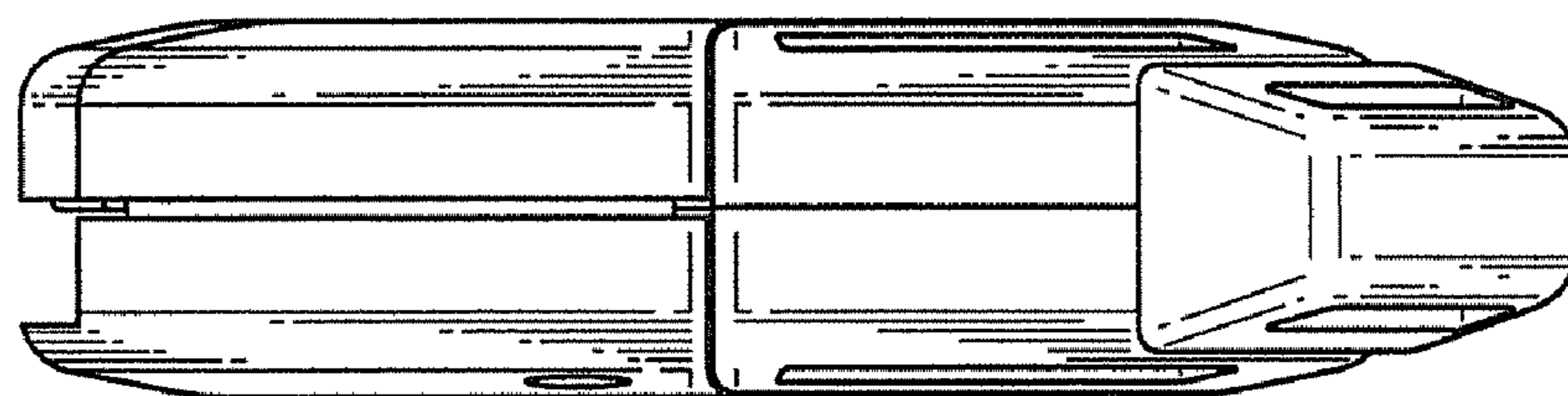


FIG. 4

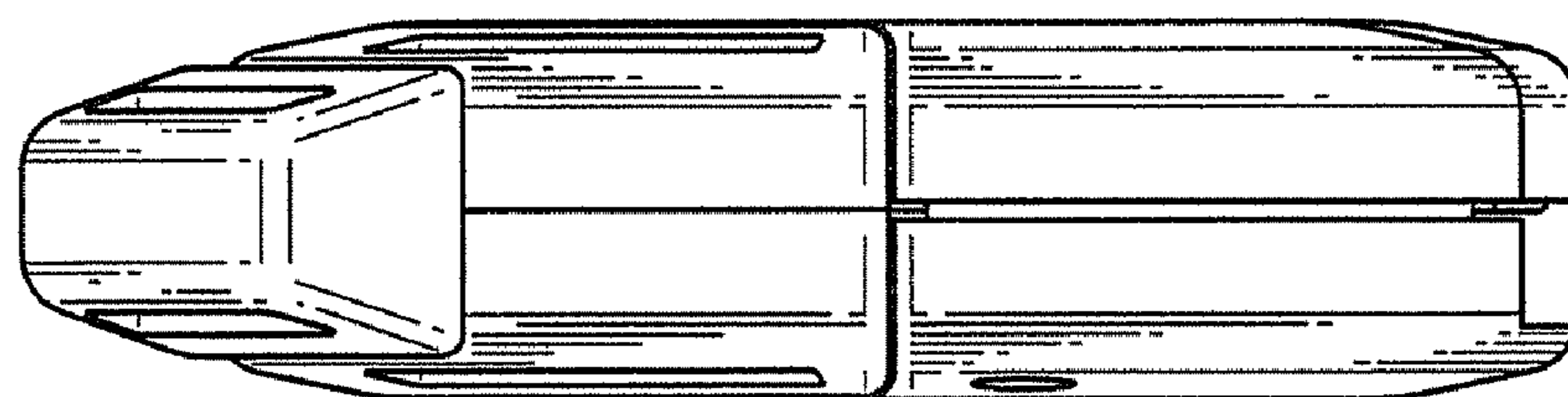


FIG. 5

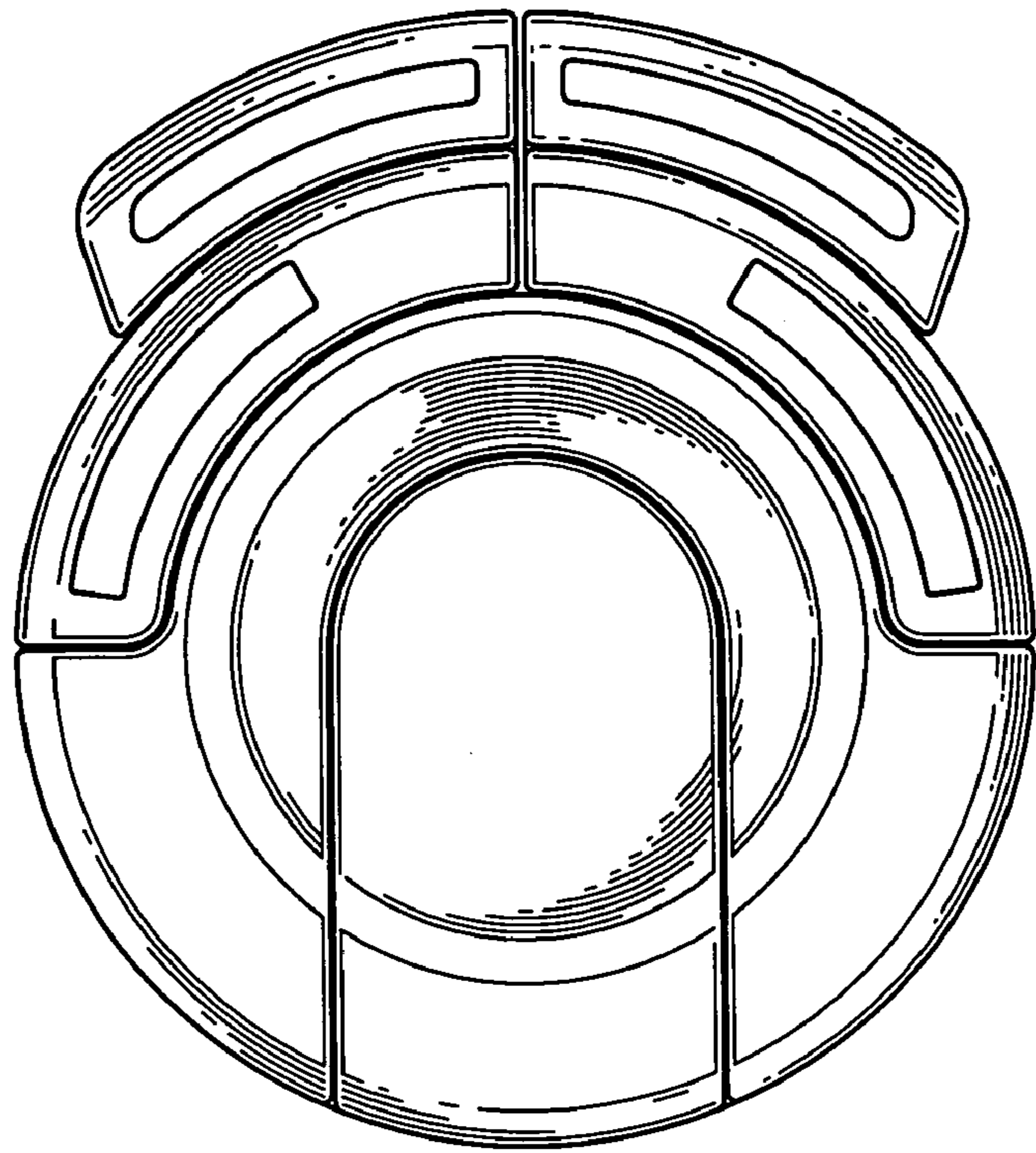


FIG. 6

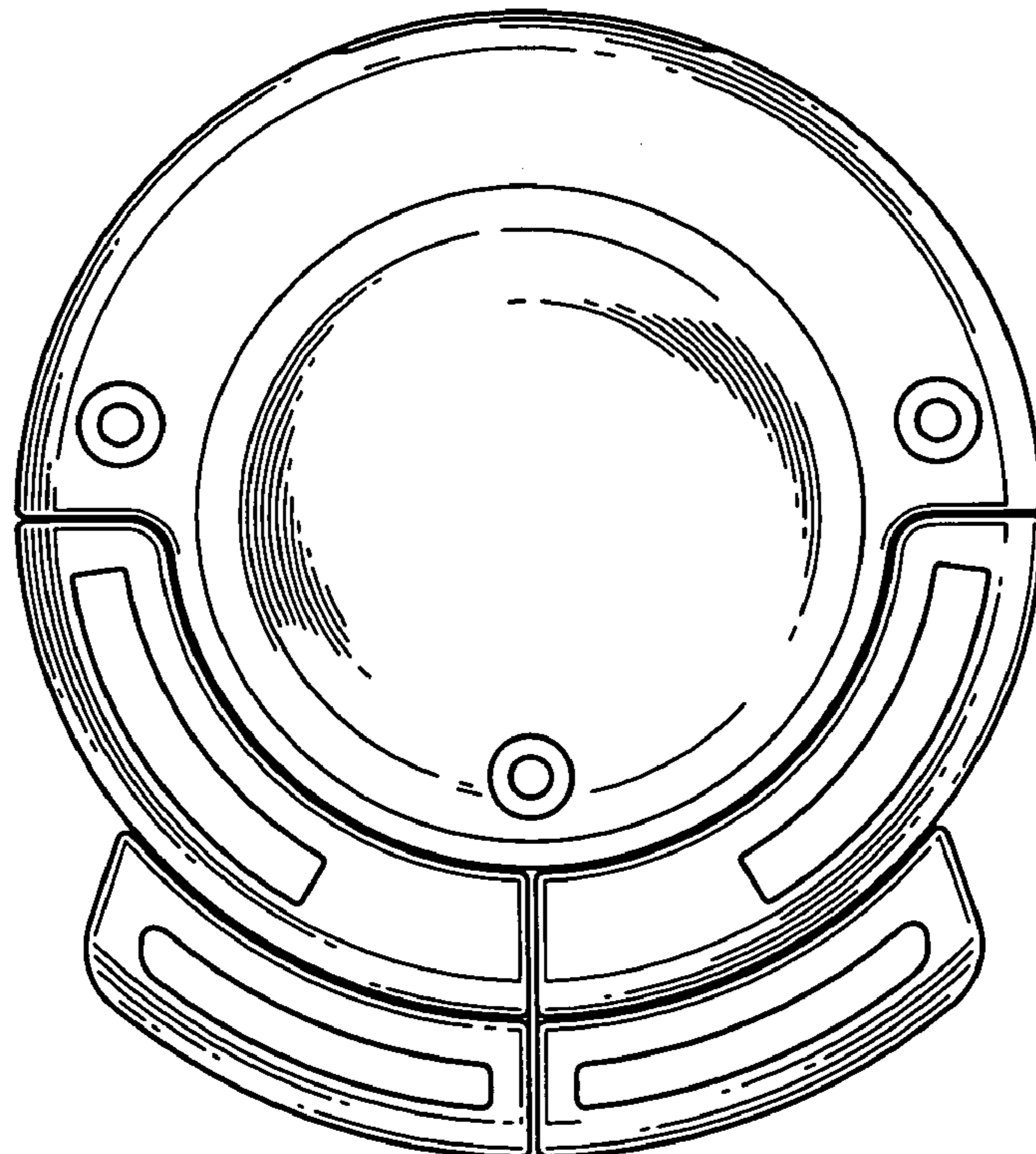


FIG. 7