



US00D612760S

(12) **United States Design Patent**
Chen et al.

(10) **Patent No.:** **US D612,760 S**
(45) **Date of Patent:** **** Mar. 30, 2010**

(54) **LIGHT EMITTING DIODE BEACON LIGHT**

(75) Inventors: **Yeh (Peter) Neng Chen**, Tainan Hsien (TW); **Roger L. Miller**, Crestwood, KY (US); **Mark Thibodeau**, St. Louis, MO (US); **Kevin Cho**, Tainan Hsien (TW)

(73) Assignee: **Code 3, Inc.**, St. Louis, MO (US)

(**) Term: **14 Years**

(21) Appl. No.: **29/343,932**

(22) Filed: **Sep. 22, 2009**

(51) **LOC (9) Cl.** **10-05**

(52) **U.S. Cl.** **D10/114**

(58) **Field of Classification Search** D10/109, D10/111, 114, 104; D26/29-31, 70, 71, D26/72, 85, 73; D11/137; D21/650; 362/544, 362/459, 466, 183, 431, 428, 294, 584; 280/87.042, 280/601, 79.11; 340/321, 584, 815.45; 52/848, 52/838; 315/159; 405/232; 335/202; 307/157

See application file for complete search history.

(56) **References Cited**

U.S. PATENT DOCUMENTS

D326,237 S *	5/1992	Gale et al.	D10/114
D513,477 S *	1/2006	Heftman	D10/111
7,168,827 B2	1/2007	Stein et al.		
D544,805 S *	6/2007	Corrigan et al.	D10/111
D570,722 S *	6/2008	Taylor	D10/114
D584,181 S *	1/2009	Poon	D10/114
D598,315 S *	8/2009	Miyatake	D10/114

D598,316 S *	8/2009	Kuwano	D10/114
D598,799 S *	8/2009	Shigematsu	D10/114
D601,053 S *	9/2009	Ferrie et al.	D10/114
2005/0110649 A1 *	5/2005	Fredericks et al.	340/815.45

* cited by examiner

Primary Examiner—Caron Veynar

Assistant Examiner—George D Kirschbaum

(74) *Attorney, Agent, or Firm*—Senniger Powers LLP

(57) **CLAIM**

The ornamental design for a light emitting diode beacon light, as shown and described.

DESCRIPTION

FIG. 1 is a perspective view of a light emitting diode beacon light of my new design.

FIG. 2 is a front elevational view of the light emitting diode beacon light of FIG. 1.

FIG. 3 is a top plan view of the light emitting diode beacon light of FIG. 1.

FIG. 4 is a right side elevational view of the light emitting diode beacon light of FIG. 1.

FIG. 5 is a left side elevational view of the light emitting diode beacon light of FIG. 1.

FIG. 6 is a bottom plan view of the light emitting diode beacon light of FIG. 1; and,

FIG. 7 is a rear elevational view of the light emitting diode beacon light of FIG. 1.

1 Claim, 7 Drawing Sheets

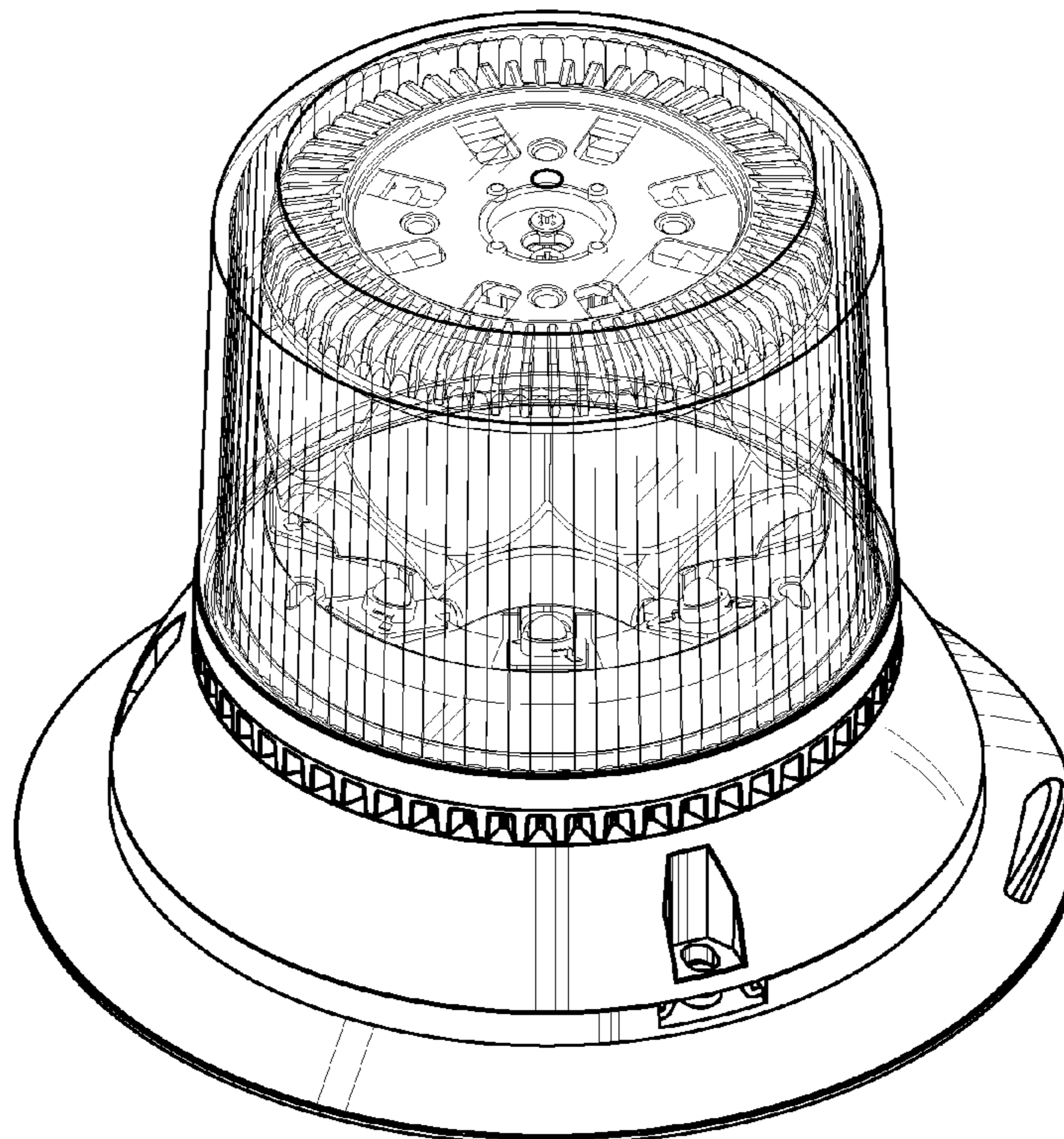


FIG. 1

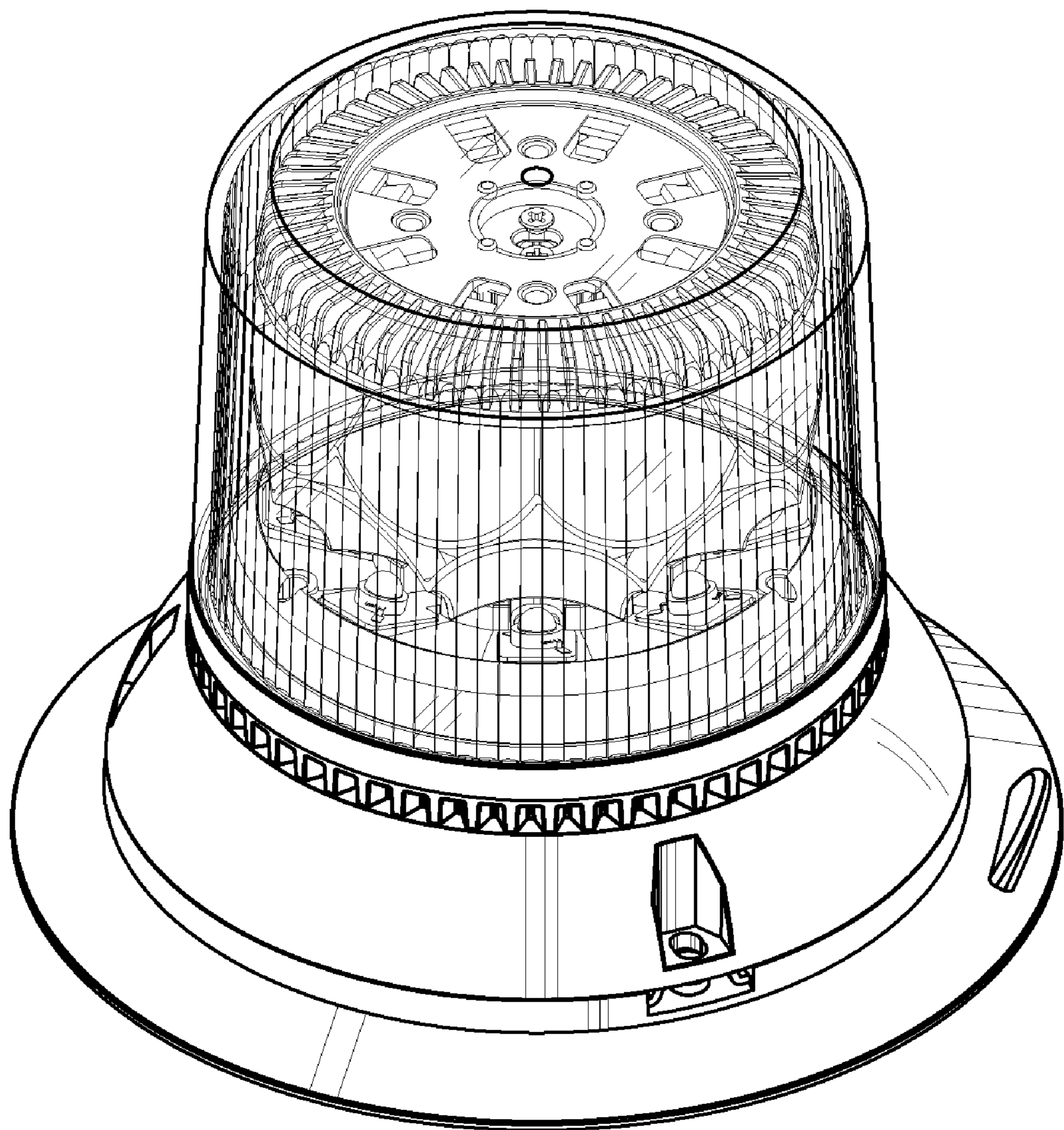


FIG. 2

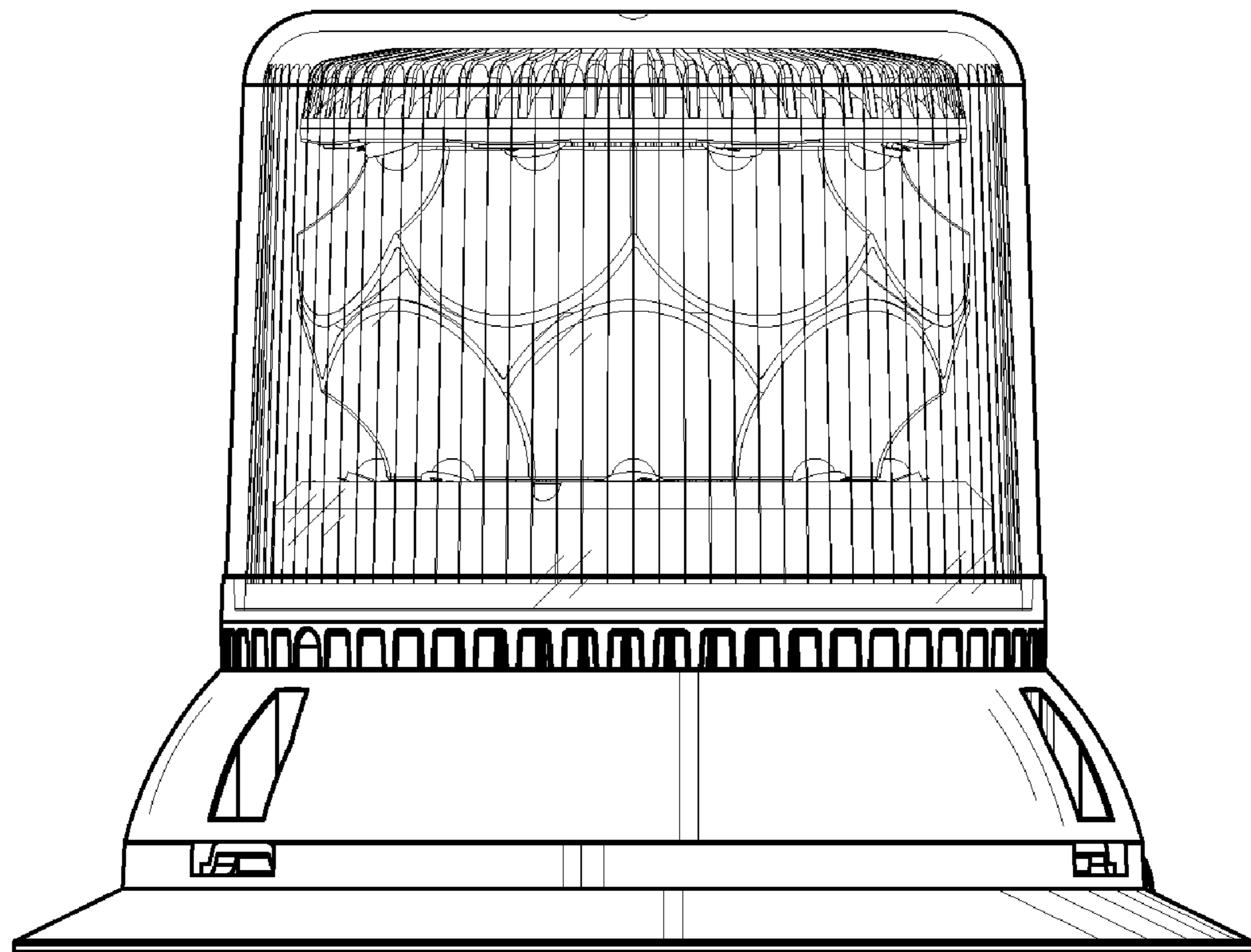


FIG. 3

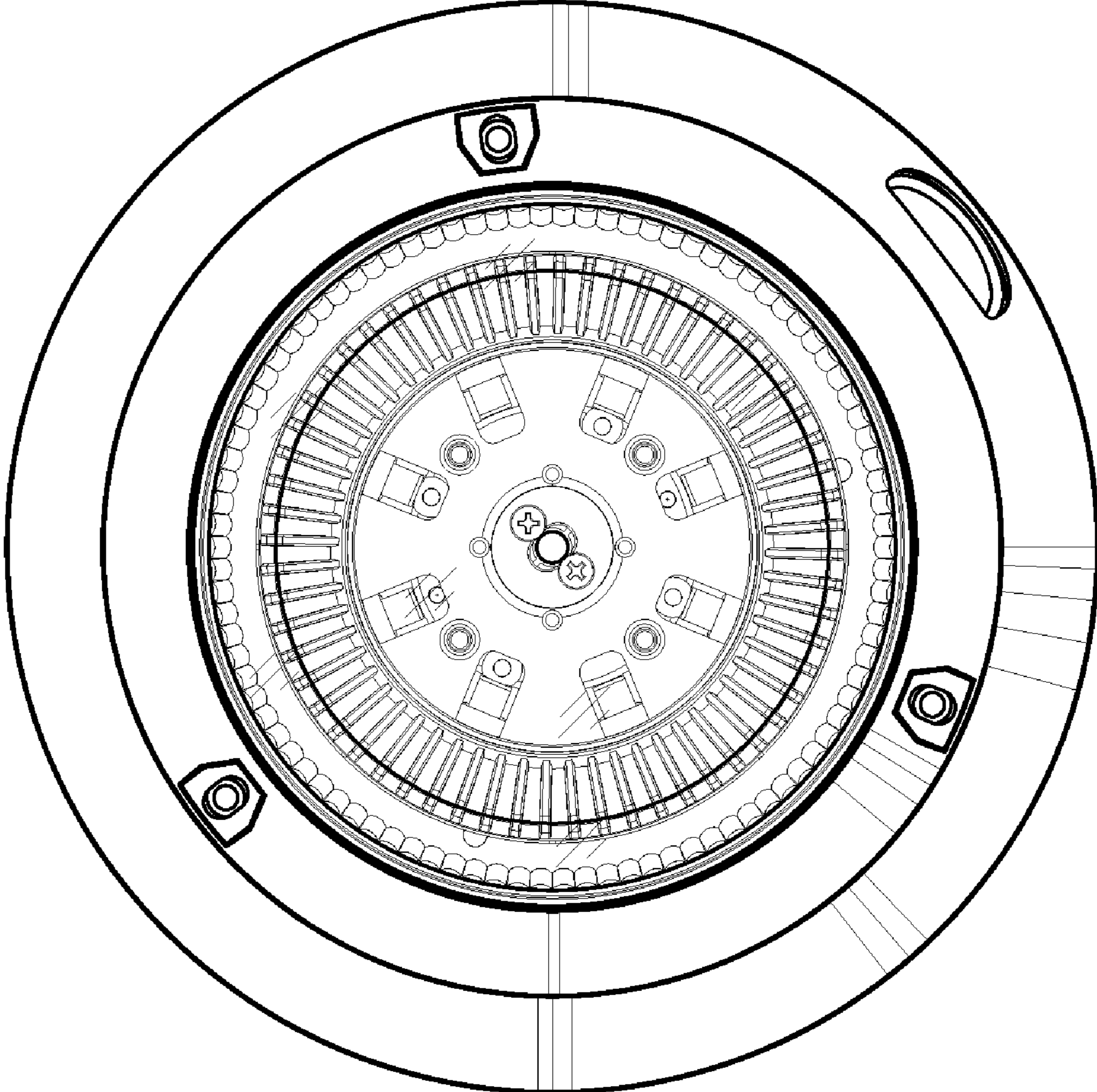


FIG. 4

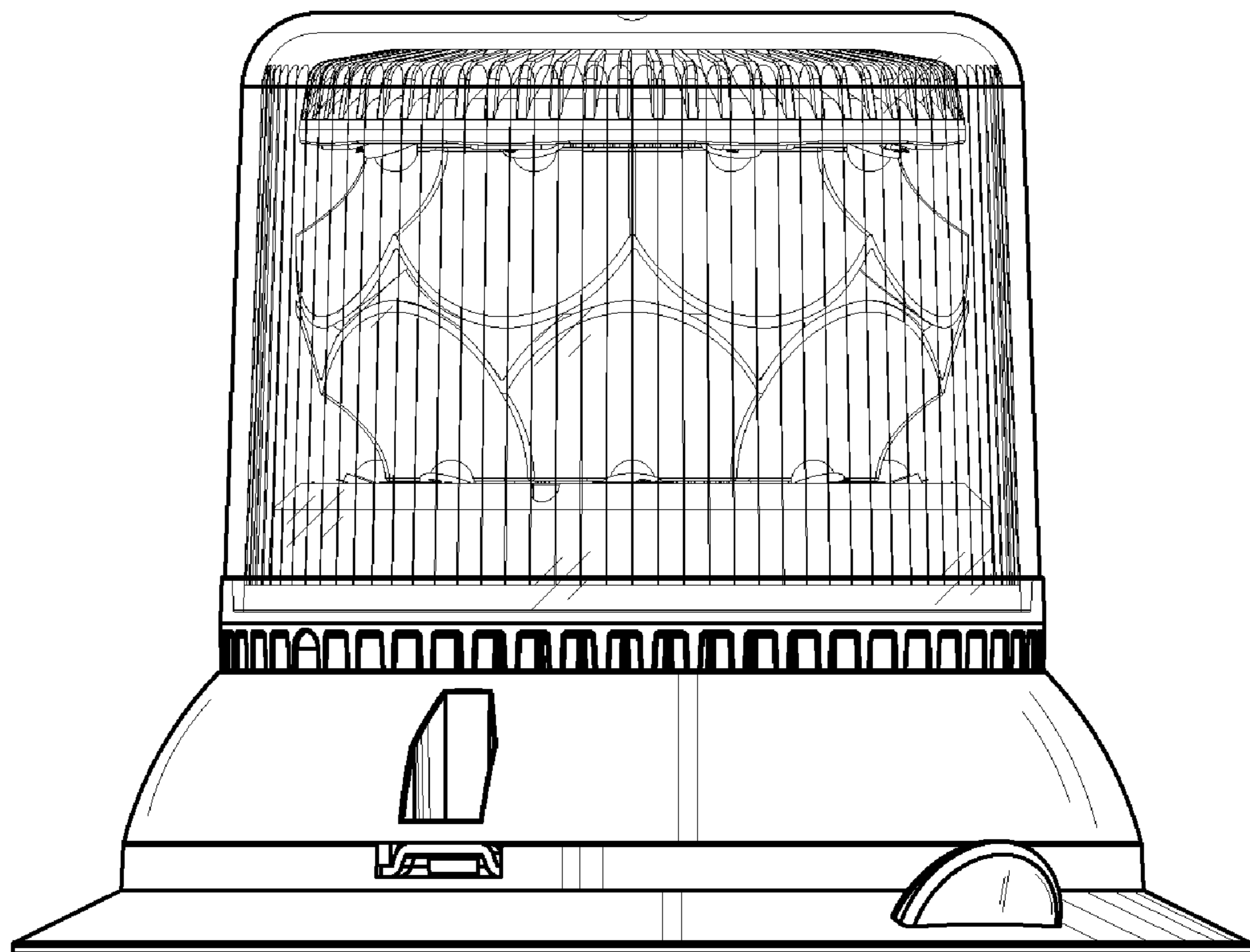


FIG. 5

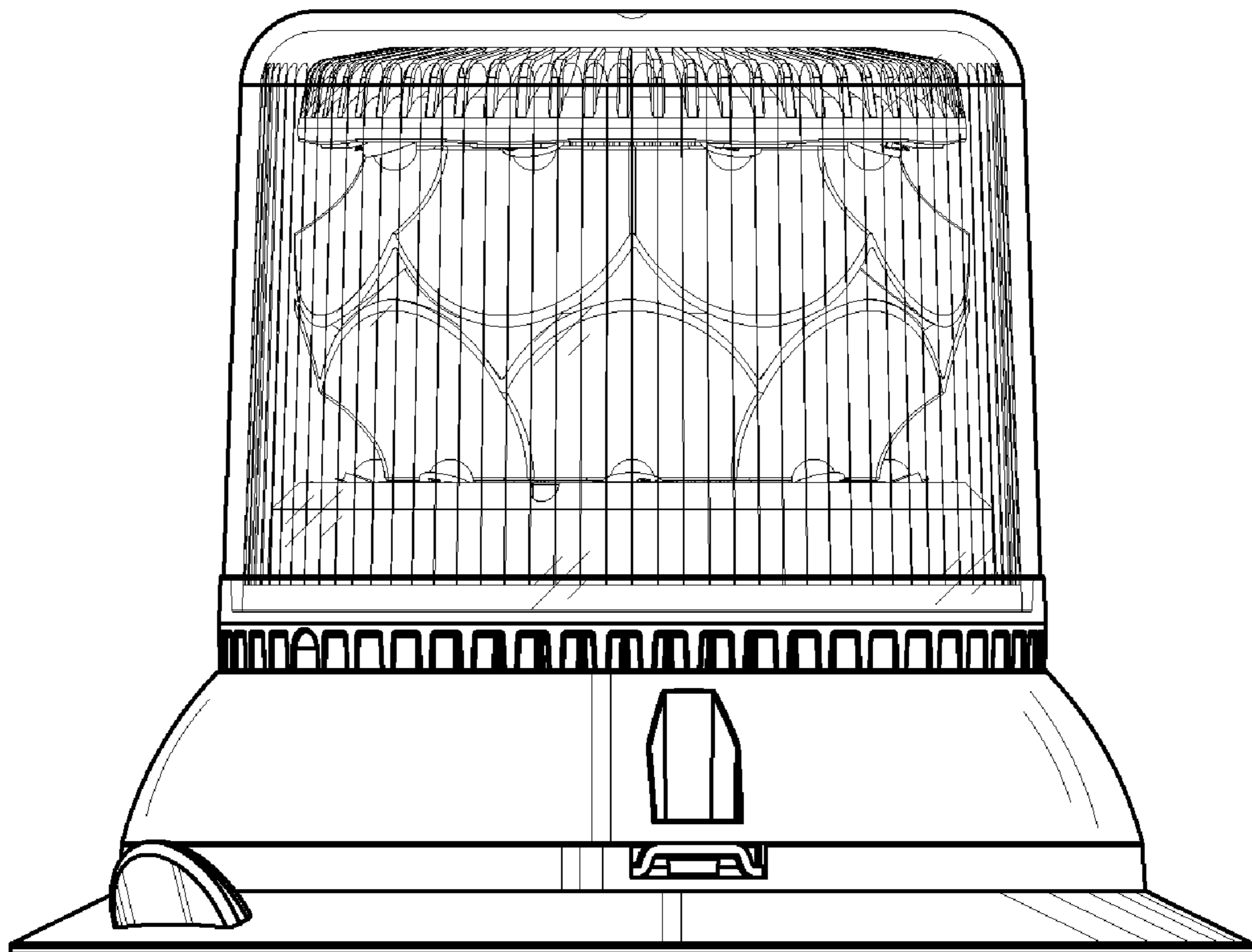


FIG. 6

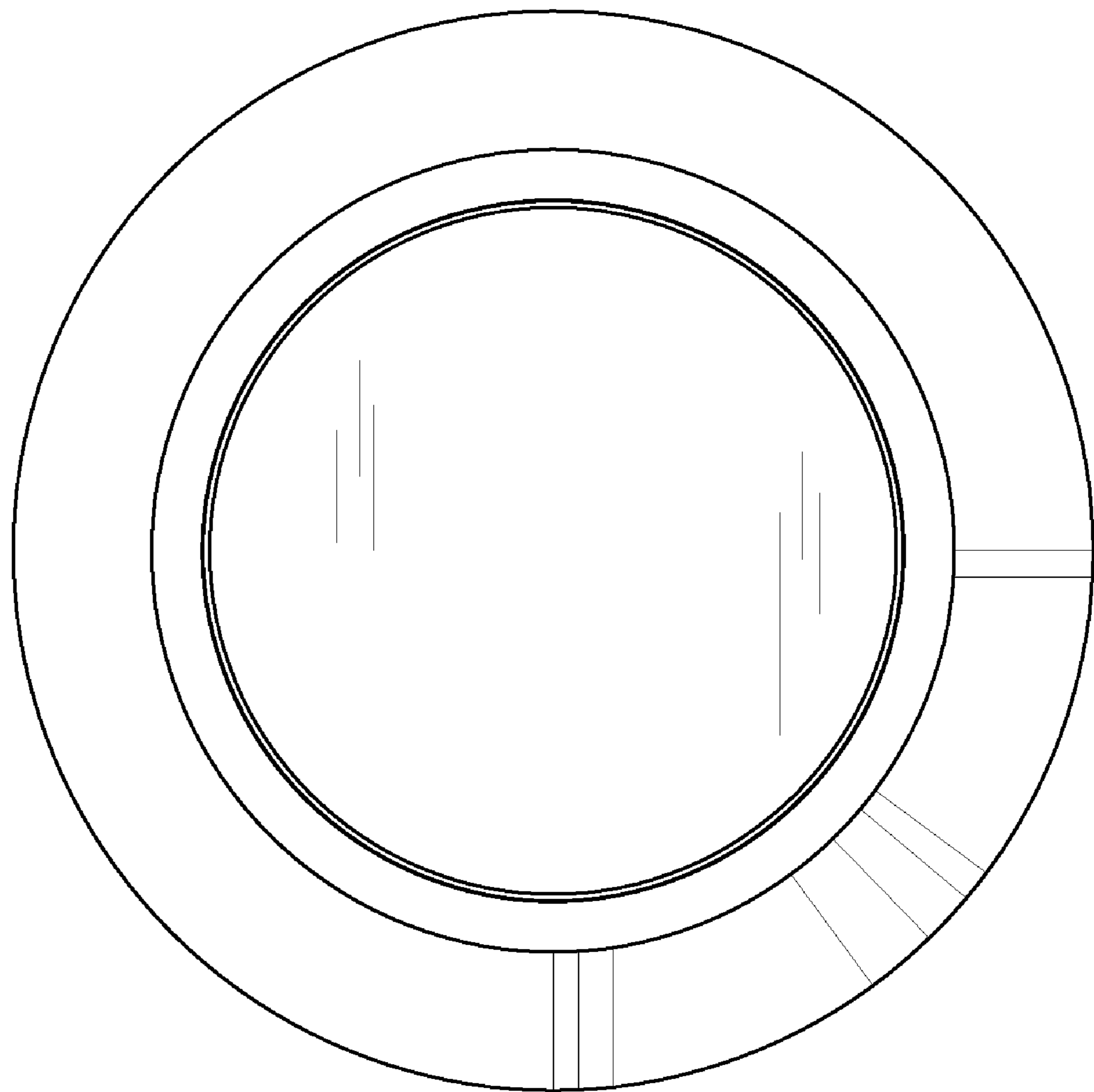


FIG. 7

