



US00D612759S

(12) **United States Design Patent**
Handyside

(10) **Patent No.:** **US D612,759 S**

(45) **Date of Patent:** **** Mar. 30, 2010**

(54) **MICROSHELL ALARM AND INK TAG**

(75) Inventor: **Graham Handyside**, San Jose, CA (US)

(73) Assignee: **WG Security Products, Inc.**, San Jose, CA (US)

(**) Term: **14 Years**

(21) Appl. No.: **29/315,889**

(22) Filed: **Aug. 3, 2009**

Related U.S. Application Data

(63) Continuation-in-part of application No. 29/288,478, filed on Jun. 13, 2007, now abandoned.

(51) **LOC (9) Cl.** **10-05**

(52) **U.S. Cl.** **D10/106**

(58) **Field of Classification Search** D10/104, D10/106; D8/333; 24/704.1; 340/10.1, 340/571, 571.1, 571.9; 40/625

See application file for complete search history.

(56) **References Cited**

U.S. PATENT DOCUMENTS

4,590,461	A *	5/1986	Cooper	340/572.9
5,031,287	A *	7/1991	Charlot et al.	24/704.1
5,054,172	A *	10/1991	Hogan et al.	24/704.1
5,095,596	A *	3/1992	Dahood	24/704.1
5,208,580	A *	5/1993	Crossfield	340/571
D344,033	S *	2/1994	Davidge	D10/106

D354,924	S *	1/1995	Garner et al.	D10/104
RE35,361	E *	10/1996	Hogan et al.	24/704.1
D410,400	S *	6/1999	Skjellerup	D10/106
D455,363	S *	4/2002	Fuss	D10/106
D494,488	S *	8/2004	Sayegh	D10/104
7,183,917	B2 *	2/2007	Piccoli et al.	340/572.1
2004/0233042	A1 *	11/2004	Piccoli et al.	340/10.1
2006/0017574	A1 *	1/2006	Skjellerup	340/572.9

* cited by examiner

Primary Examiner—Caron Veynar

Assistant Examiner—George D Kirschbaum

(74) *Attorney, Agent, or Firm*—Colin P. Abrahams

(57) **CLAIM**

The ornamental design for a microshell alarm and ink tag, as shown.

DESCRIPTION

FIG. 1 is a sectional side view, taken along the lines 4—4 in FIG. 4, of a microshell alarm and ink tag of my new design;

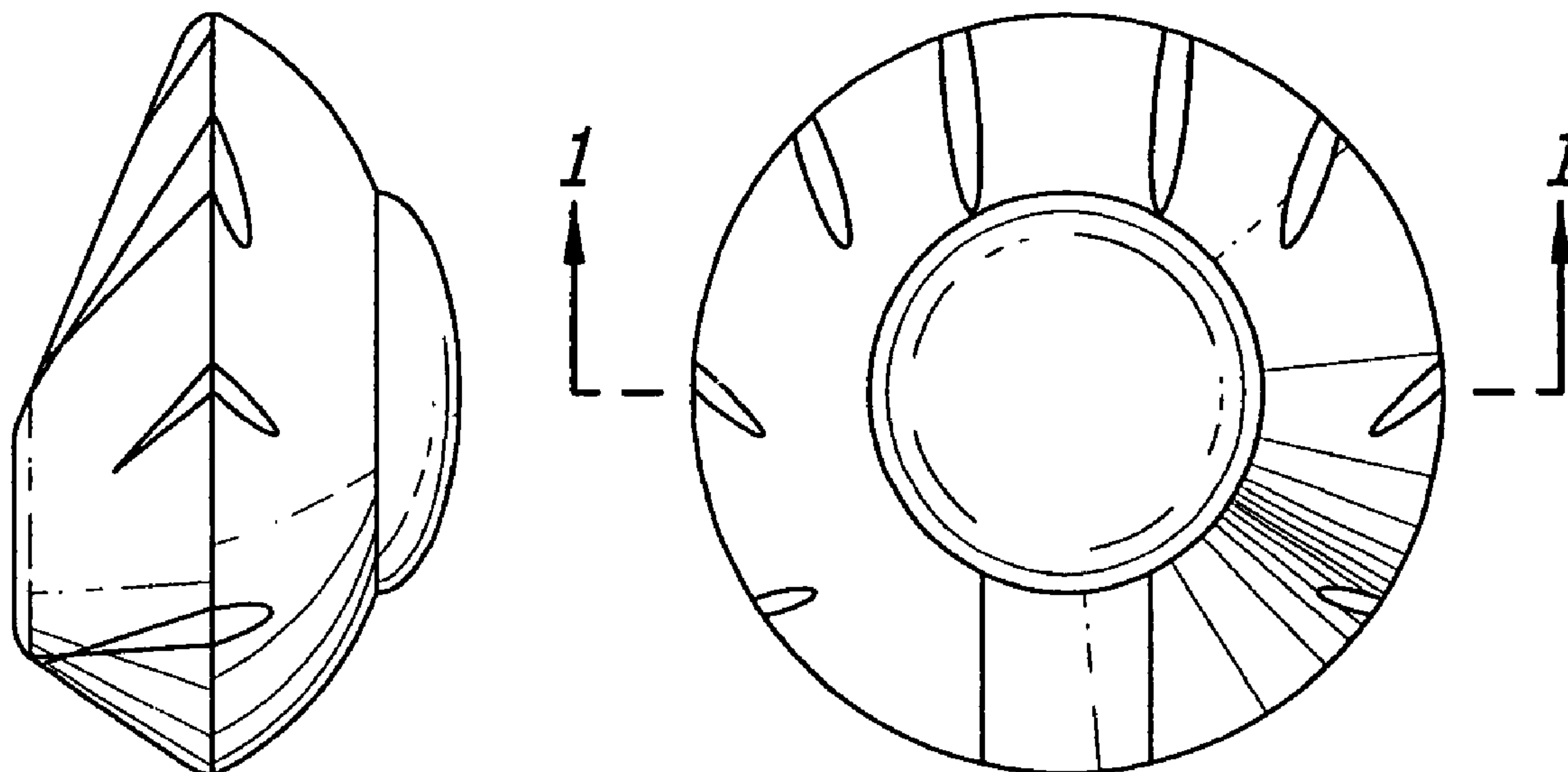
FIG. 2 is a bottom view of the microshell alarm and ink tag as shown in FIG. 1 of the drawings; and

FIG. 3 is an end view of the microshell alarm and ink tag as shown in FIG. 1 of the drawings;

FIG. 4 is a top view of the microshell alarm and ink tag as shown in FIG. 1 of the drawings; and,

FIG. 5 is an exploded perspective view of the microshell alarm and ink tag as shown in FIG. 1 of the drawings.

1 Claim, 2 Drawing Sheets



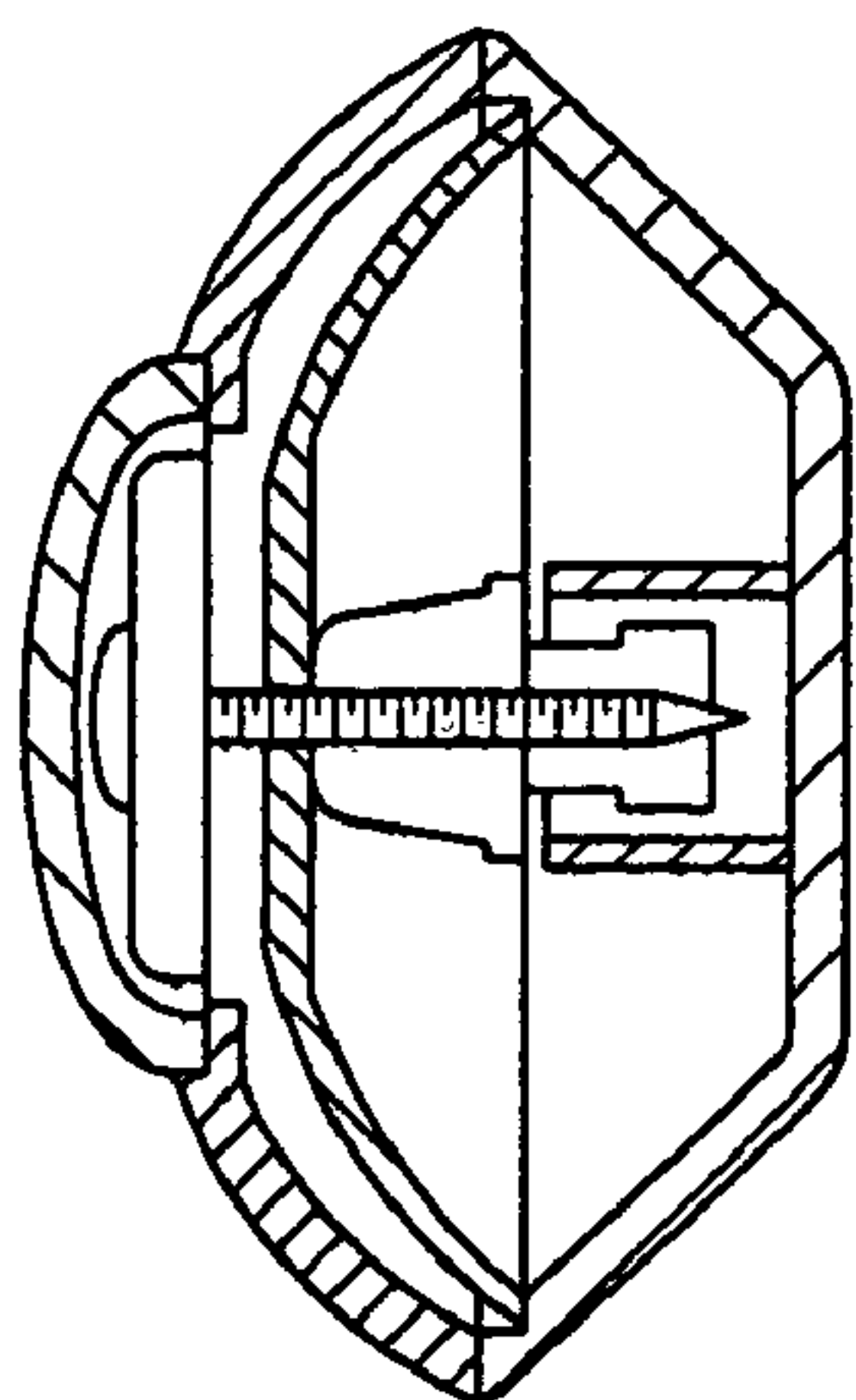


FIG. 1

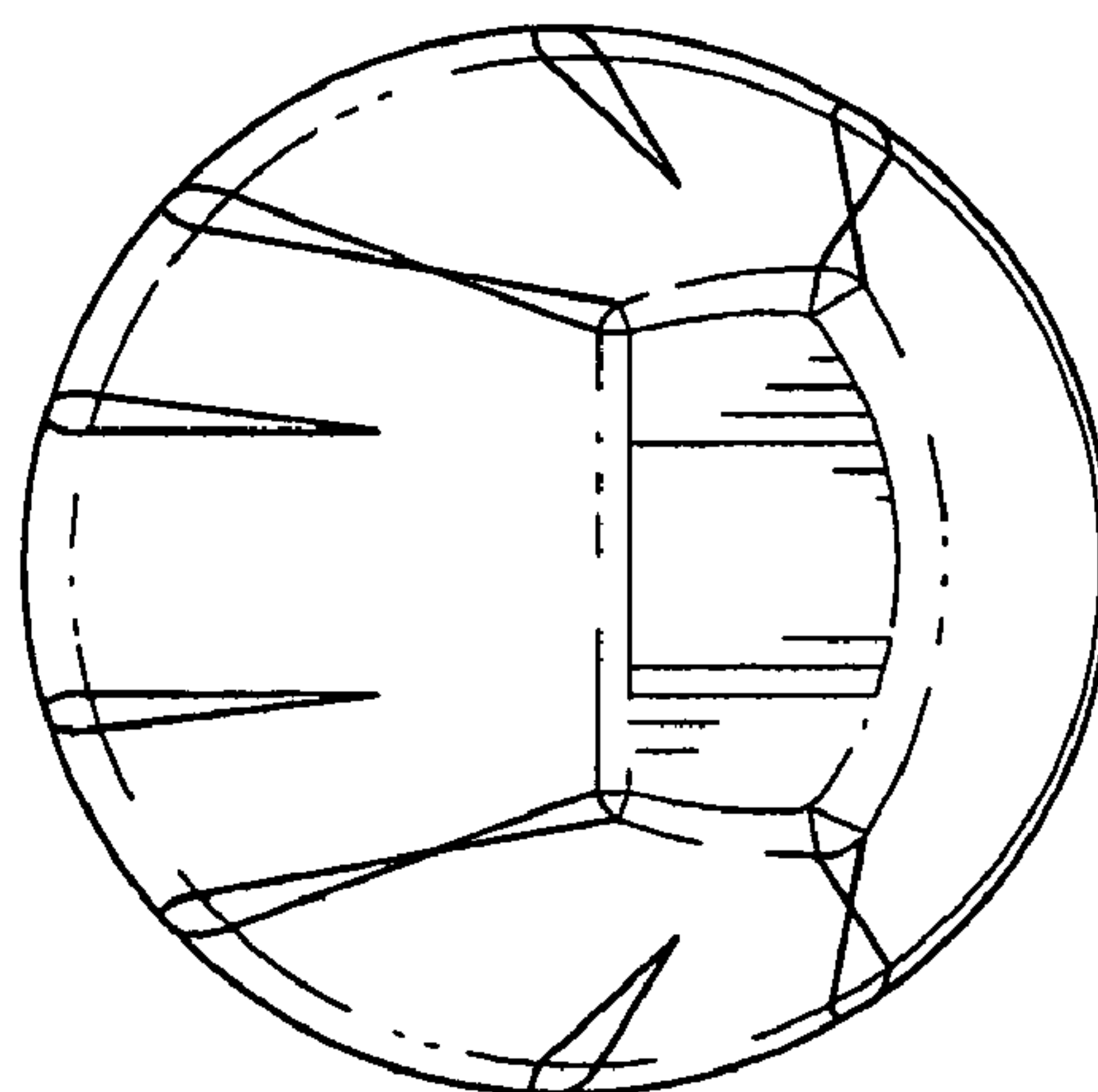


FIG. 2

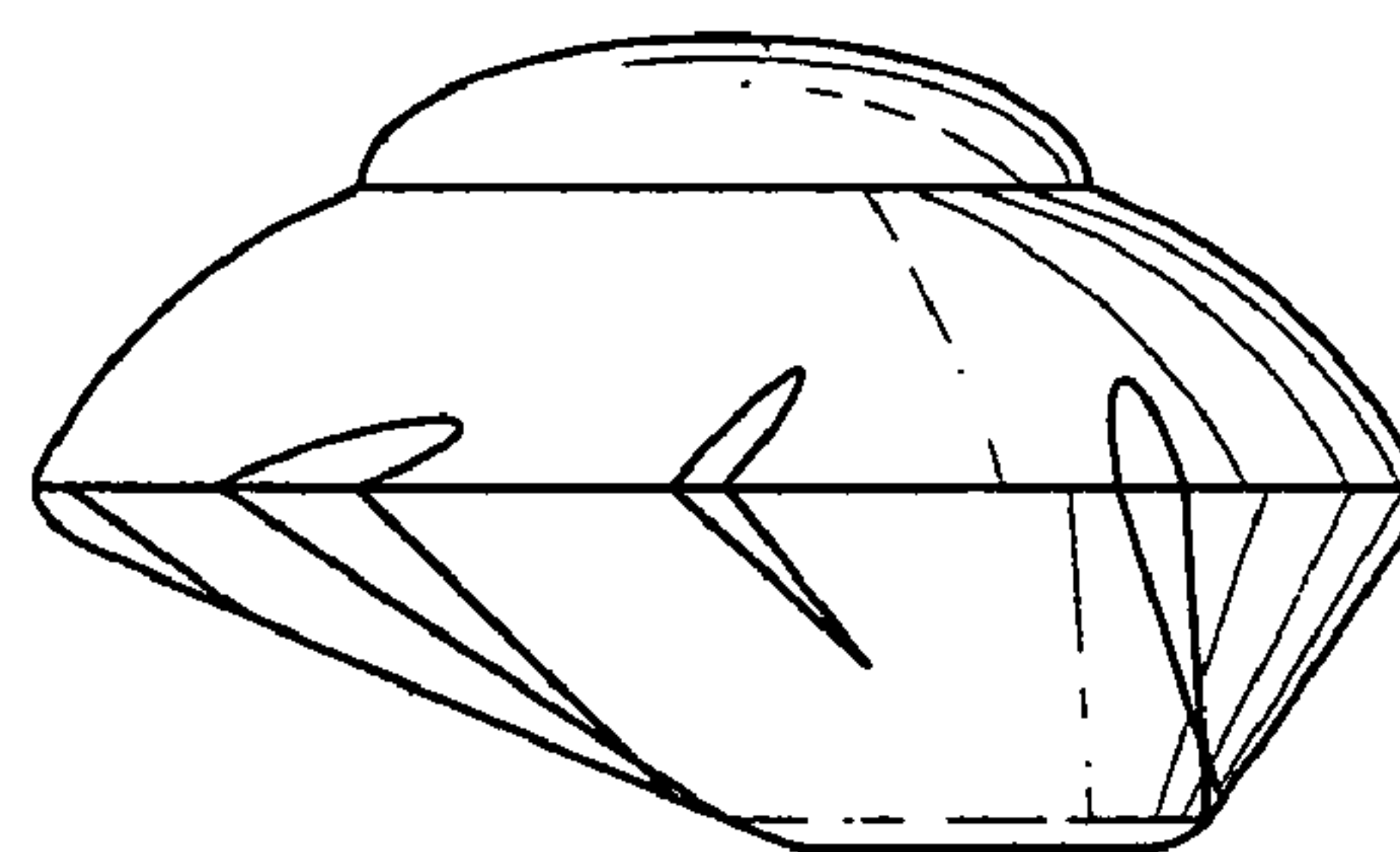


FIG. 3

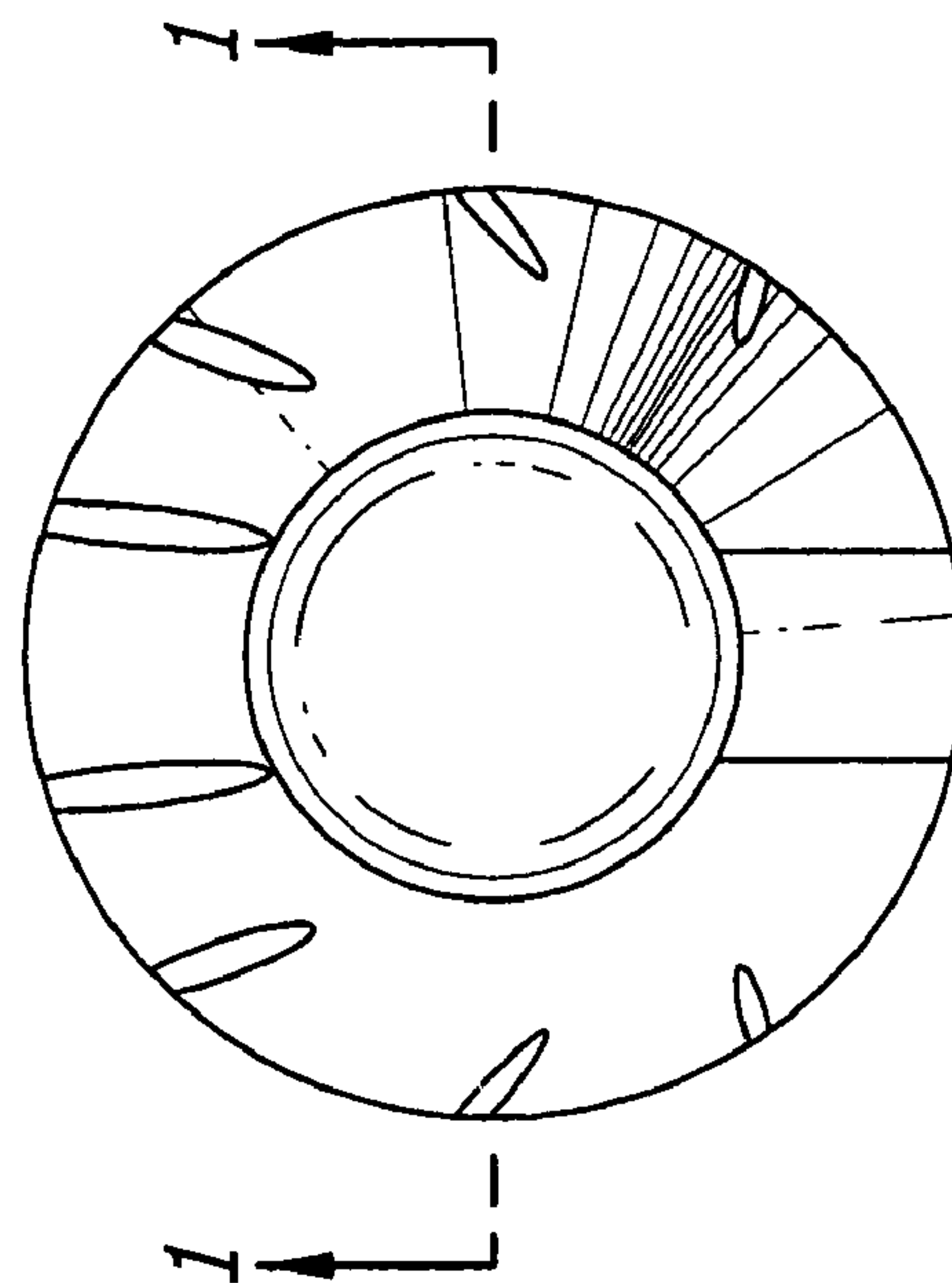


FIG. 4

FIG. 5

