



US00D612758S

(12) **United States Design Patent**
Cristoforo

(10) **Patent No.:** **US D612,758 S**
(45) **Date of Patent:** **** Mar. 30, 2010**

(54) **CARBON MONOXIDE DETECTOR**

D553,521 S * 10/2007 Morgan D10/81
D555,527 S * 11/2007 LeSage D10/81

(76) Inventor: **Michael Cristoforo**, 5155 SW. Bimini Cir., S., Palm City, FL (US) 34990

* cited by examiner

(**) Term: **14 Years**

Primary Examiner—Antoine D Davis
(74) *Attorney, Agent, or Firm*—McHale & Slavin, P.A.

(21) Appl. No.: **29/336,738**

(57) **CLAIM**

(22) Filed: **May 8, 2009**

The ornamental design for a carbon monoxide detector, as shown and described.

(51) **LOC (9) Cl.** **10-04**

(52) **U.S. Cl.** **D10/81**

(58) **Field of Classification Search** D10/81,
D10/104–16; 340/328–634, 527; 454/239,
454/256, 343

DESCRIPTION

See application file for complete search history.

FIG. 1 is a top perspective view of the carbon monoxide detector of the instant invention;

FIG. 2 is a top view thereof;

FIG. 3 is a rear view thereof;

FIG. 4 is a front view thereof;

FIG. 5 is a bottom view thereof;

FIG. 6 is a left side view thereof; and,

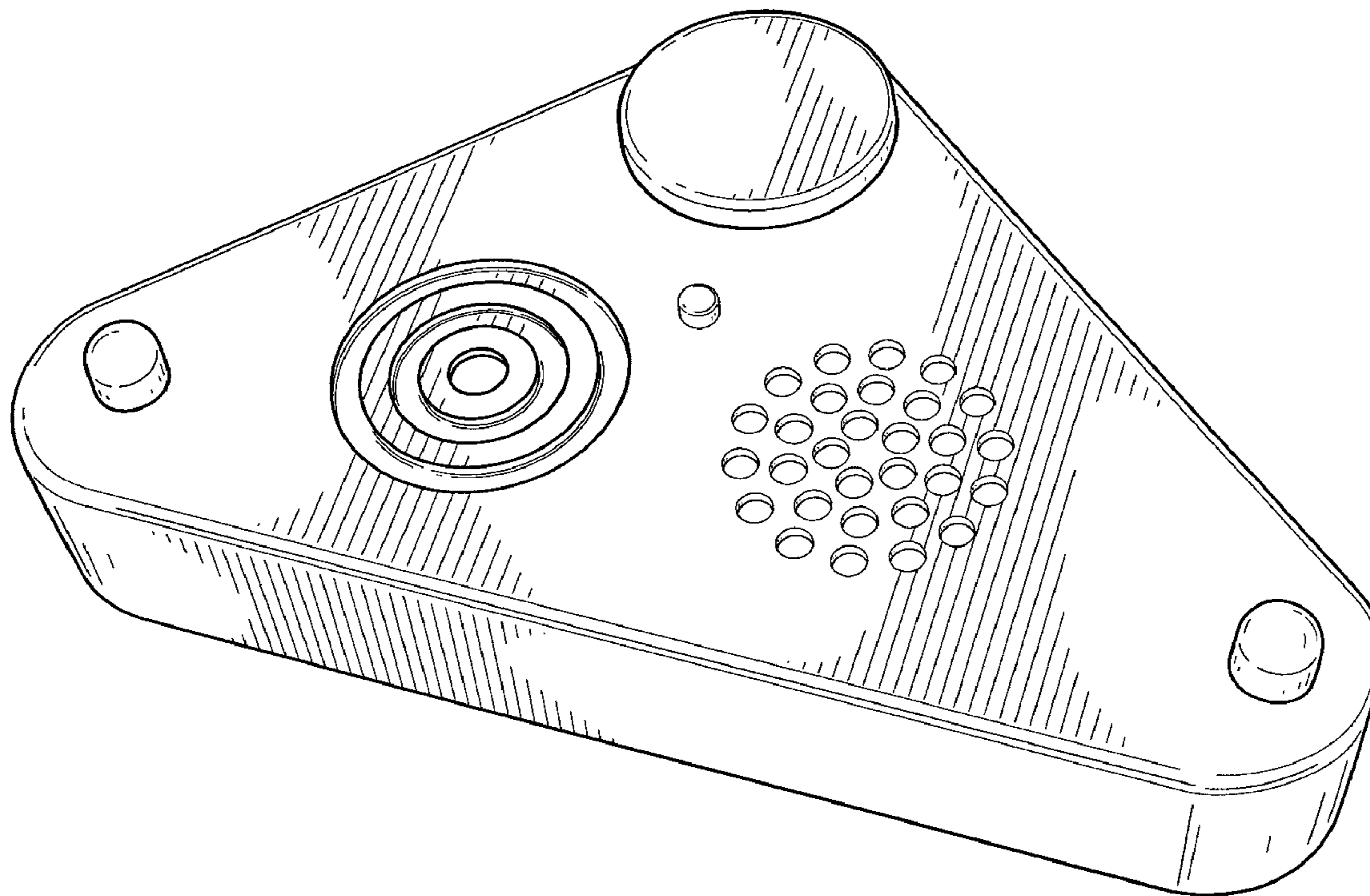
FIG. 7 is a right side view thereof.

(56) **References Cited**

U.S. PATENT DOCUMENTS

D308,646 S * 6/1990 Grilk D10/81
D337,734 S * 7/1993 Platt D10/106
D369,566 S * 5/1996 Poon D10/106
D472,175 S * 3/2003 Welsh D10/106
D545,229 S * 6/2007 Roby et al. D10/106

1 Claim, 3 Drawing Sheets



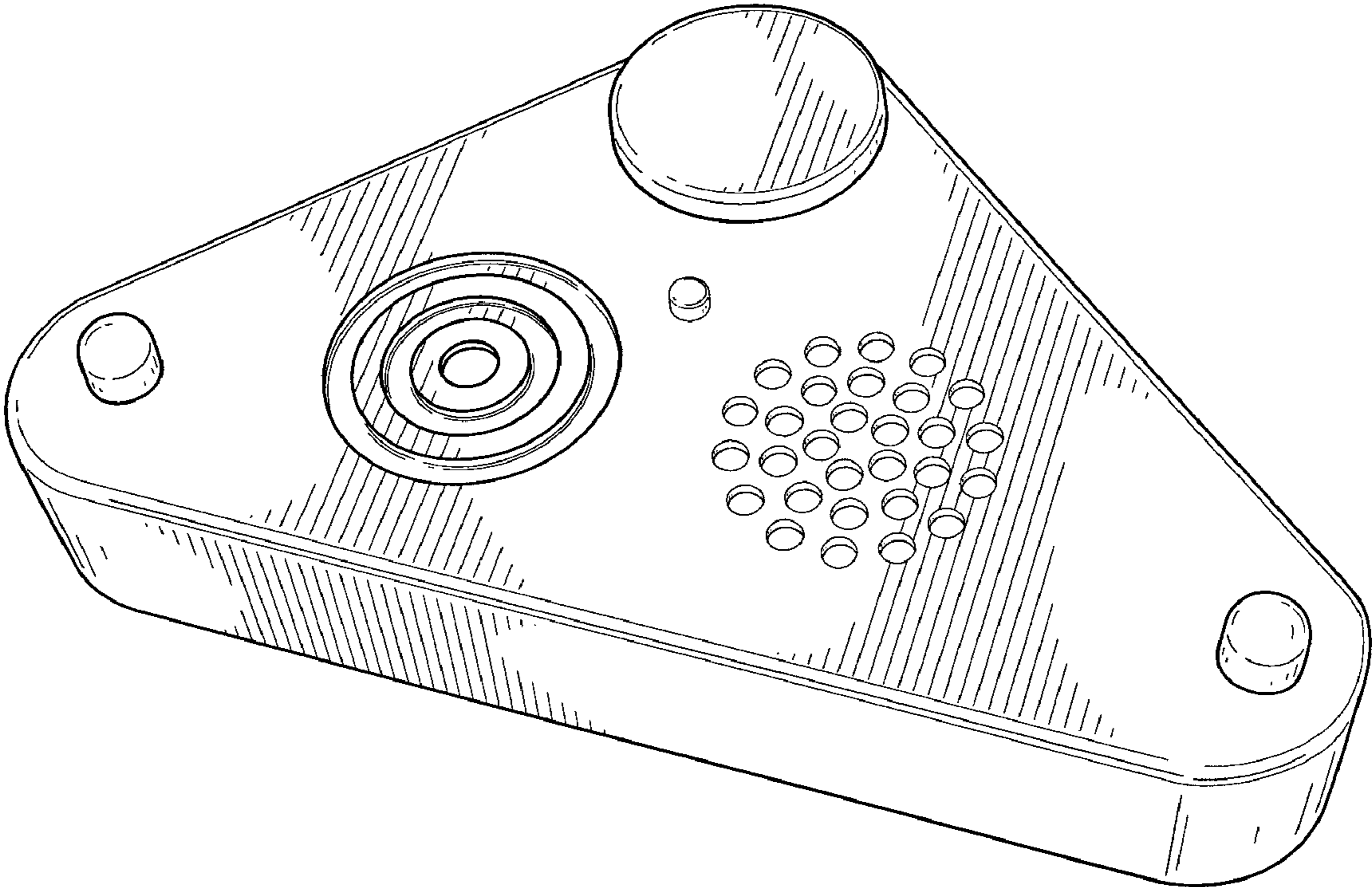


FIG. 1

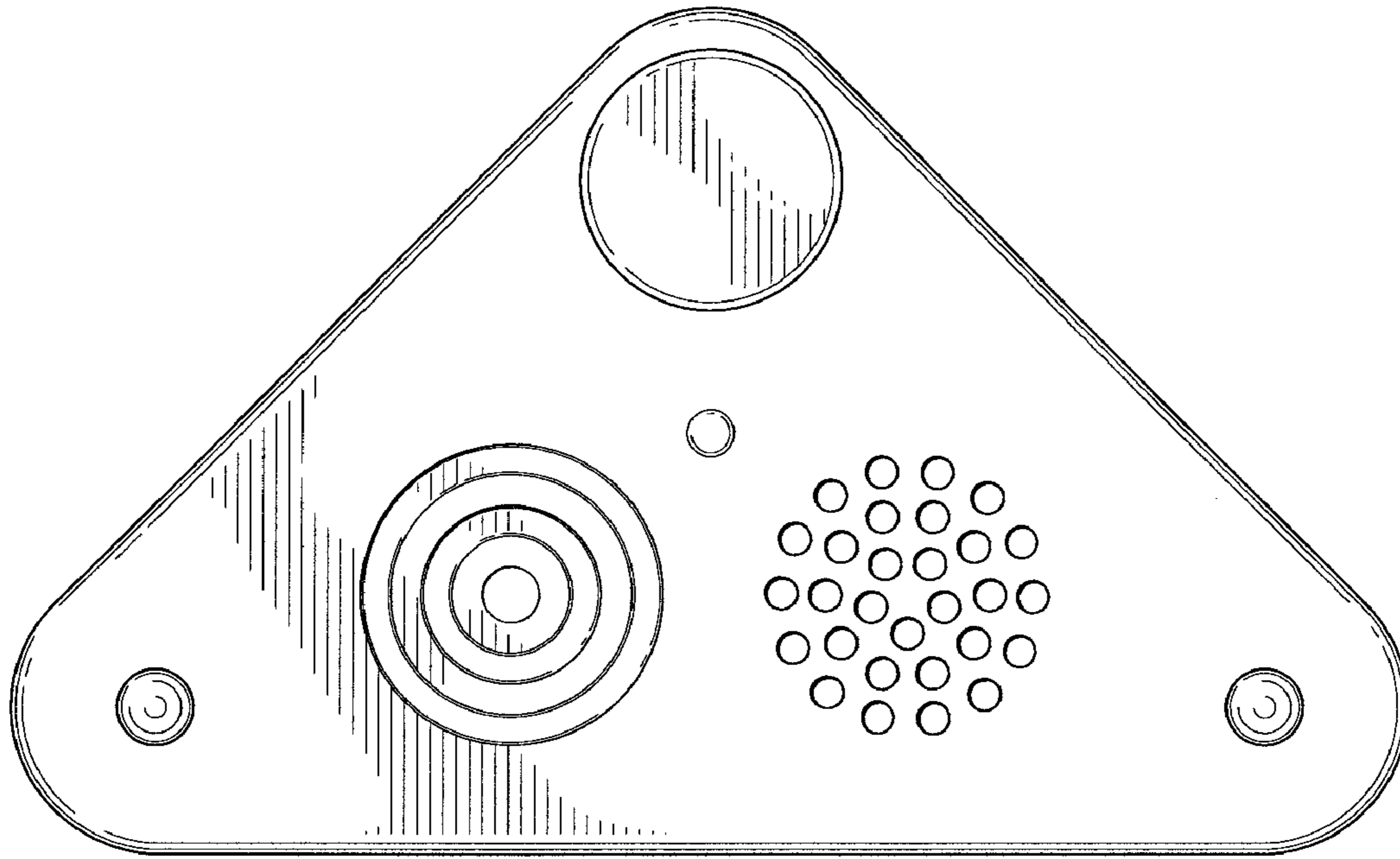


FIG. 2

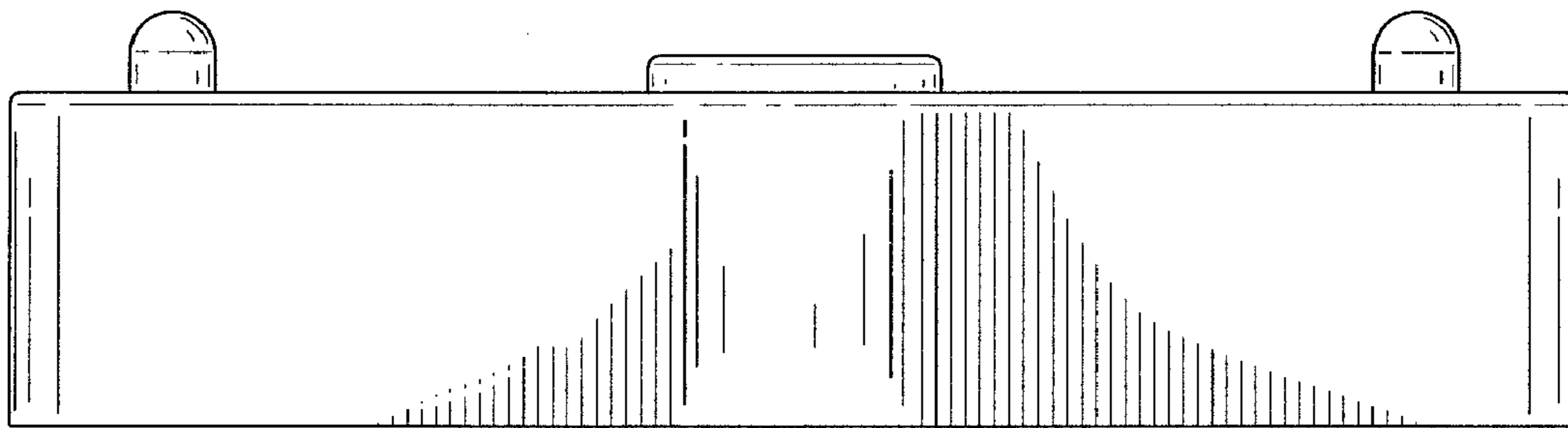


FIG. 3

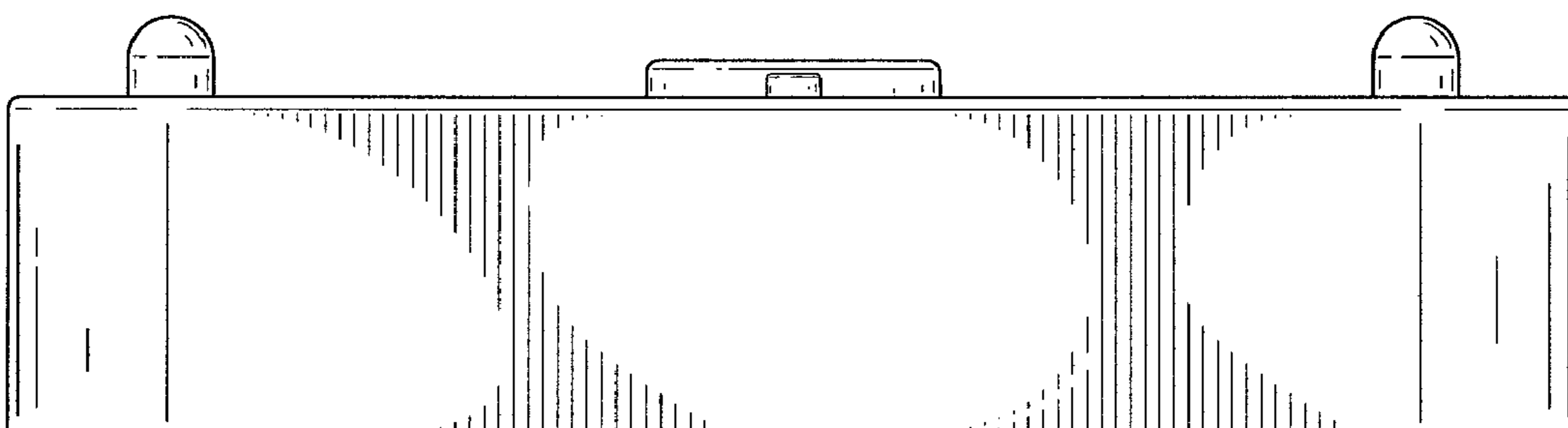


FIG. 4

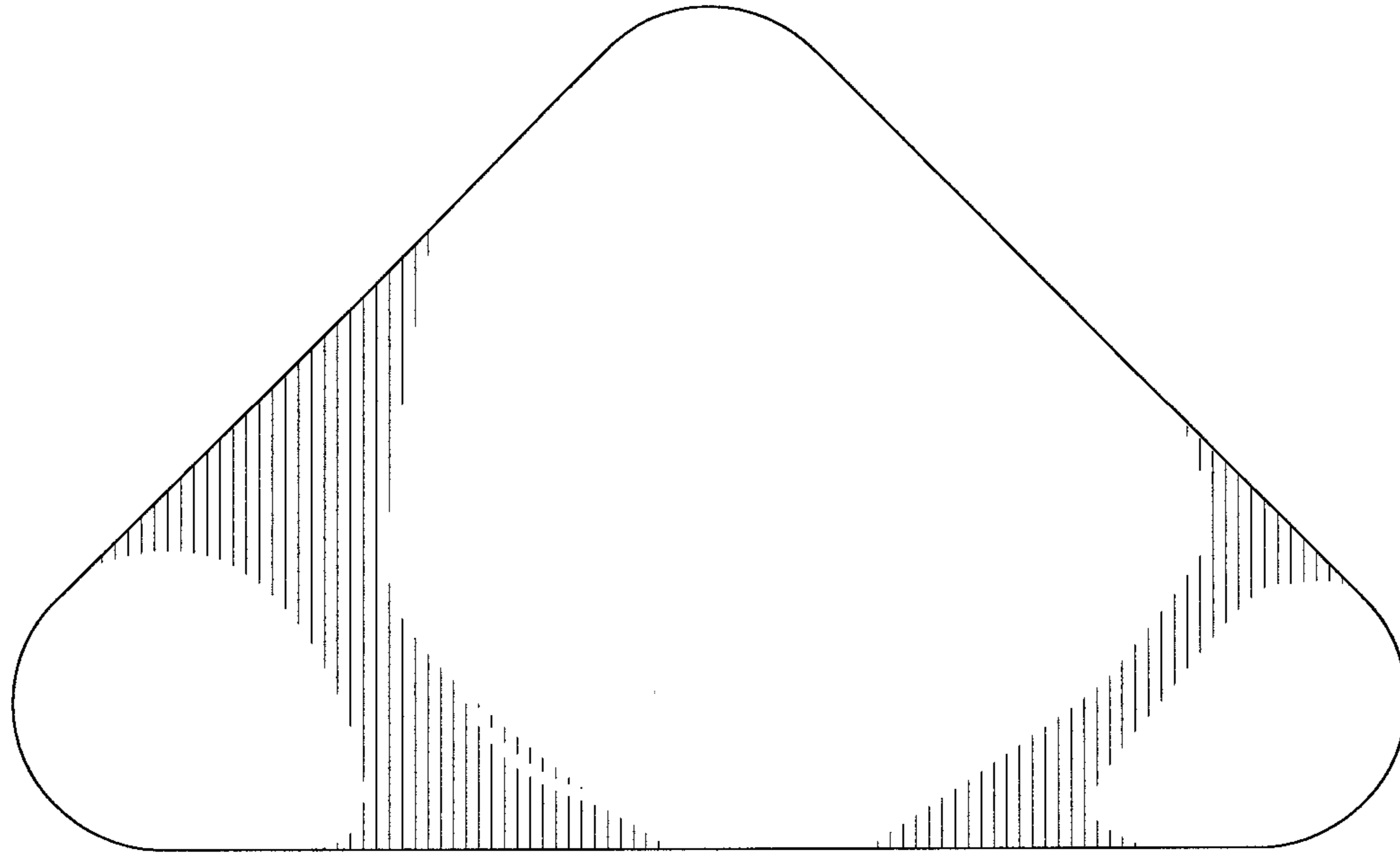


FIG. 5

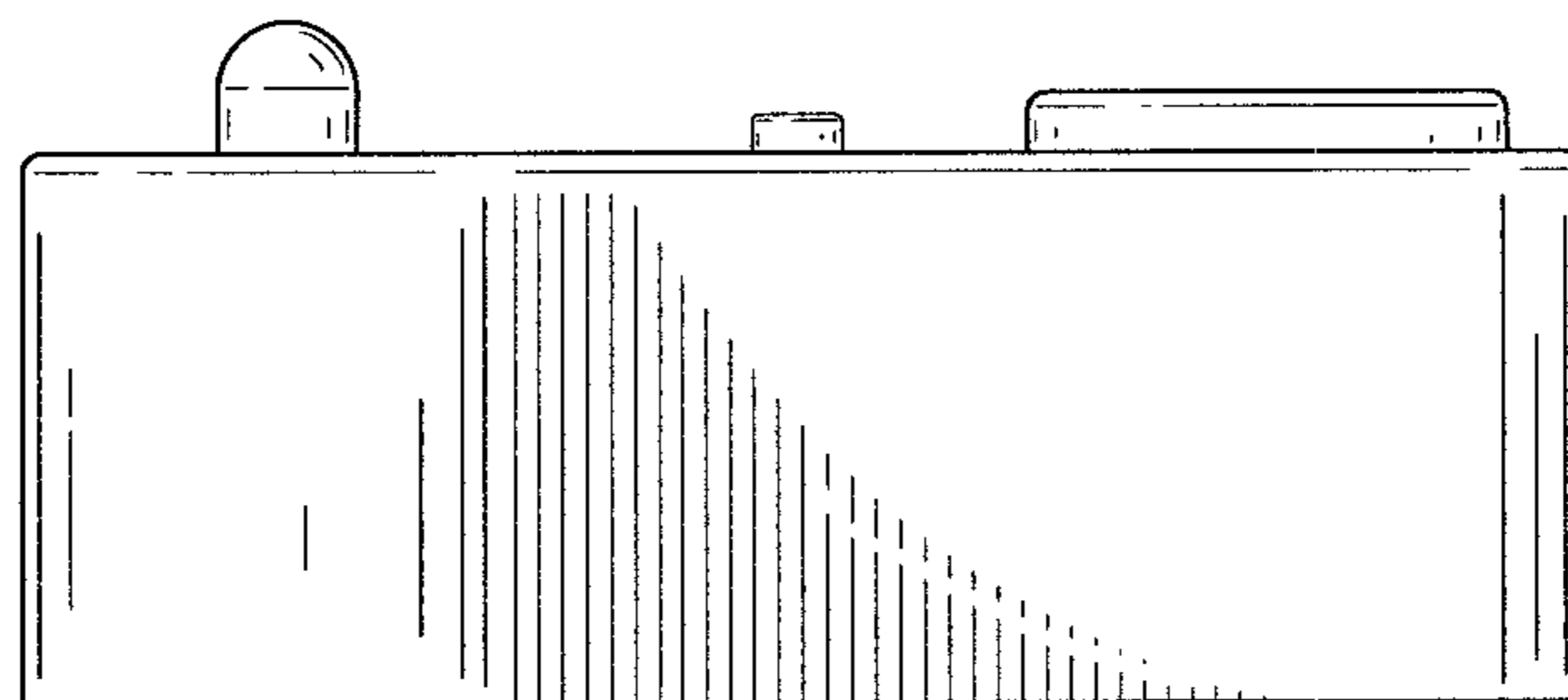


FIG. 6

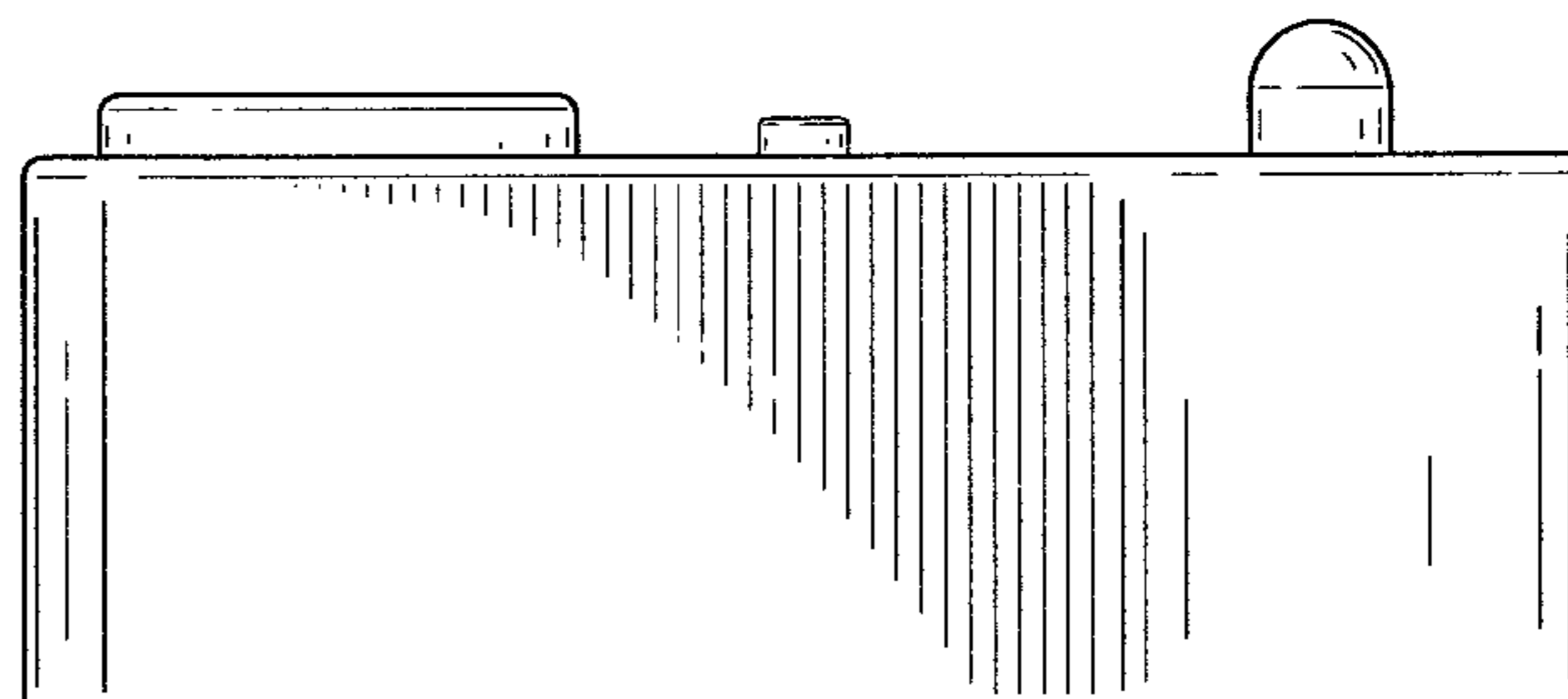


FIG. 7