



US00D612756S

(12) **United States Design Patent**
D'Amelio et al.

(10) **Patent No.:** **US D612,756 S**
(45) **Date of Patent:** **** Mar. 30, 2010**

(54) **LASER**

(75) Inventors: **Brian R. D'Amelio**, Auburn, NH (US);
Christopher D. Westra, Exeter, NH
(US); **Michael S. Siopis**, Dover, NH
(US)

(73) Assignee: **Insight Technology Incorporated**,
Londonderry, NH (US)

(**) Term: **14 Years**

(21) Appl. No.: **29/350,496**

(22) Filed: **Nov. 18, 2009**

(51) **LOC (9) Cl.** **10-04**

(52) **U.S. Cl.** **D10/70; D22/109**

(58) **Field of Classification Search** D10/70;
33/276, 277, 281, 285, 286, 290, 291-299,
33/DIG. 21; 264/1.24-1.25; 340/573.1-573.4,
340/539, 825.36, 825.46, 825.49, 357.02;
356/4.01, 5.01, 5.08, 4.05, 5.07, 5.09, 5.12,
356/28.5, 345, 375, 3.01, 5.06, 128-155,
356/399, 400; 385/83, 97-99, 134-139;
701/211-213; 702/150, 158, 208; D22/109;
42/114, 115, 117; 362/110, 113, 114

See application file for complete search history.

(56) **References Cited**

U.S. PATENT DOCUMENTS

5,179,235 A 1/1993 Toole
5,435,091 A 7/1995 Toole et al.

6,526,688 B1 3/2003 Danielson et al.
6,578,311 B2 6/2003 Danielson et al.
6,591,536 B2 7/2003 Houde-Walter et al.
7,260,910 B2 8/2007 Danielson
7,269,920 B2* 9/2007 Staley, III 42/114
7,614,760 B2* 11/2009 Sharrah et al. 362/114
2009/0183416 A1 7/2009 Danielson

* cited by examiner

Primary Examiner—Antoine D Davis

(57) **CLAIM**

The ornamental design for a laser, as shown and described.

DESCRIPTION

FIG. 1 is a first perspective view of the laser of the present invention;

FIG. 2 is a second perspective view of the laser of FIG. 1;

FIG. 3 is a top view of the laser of FIG. 1;

FIG. 4 is a bottom view of the laser of FIG. 1;

FIG. 5 is a left side view of the laser of FIG. 1

FIG. 6 is a right side view of the laser of FIG. 1;

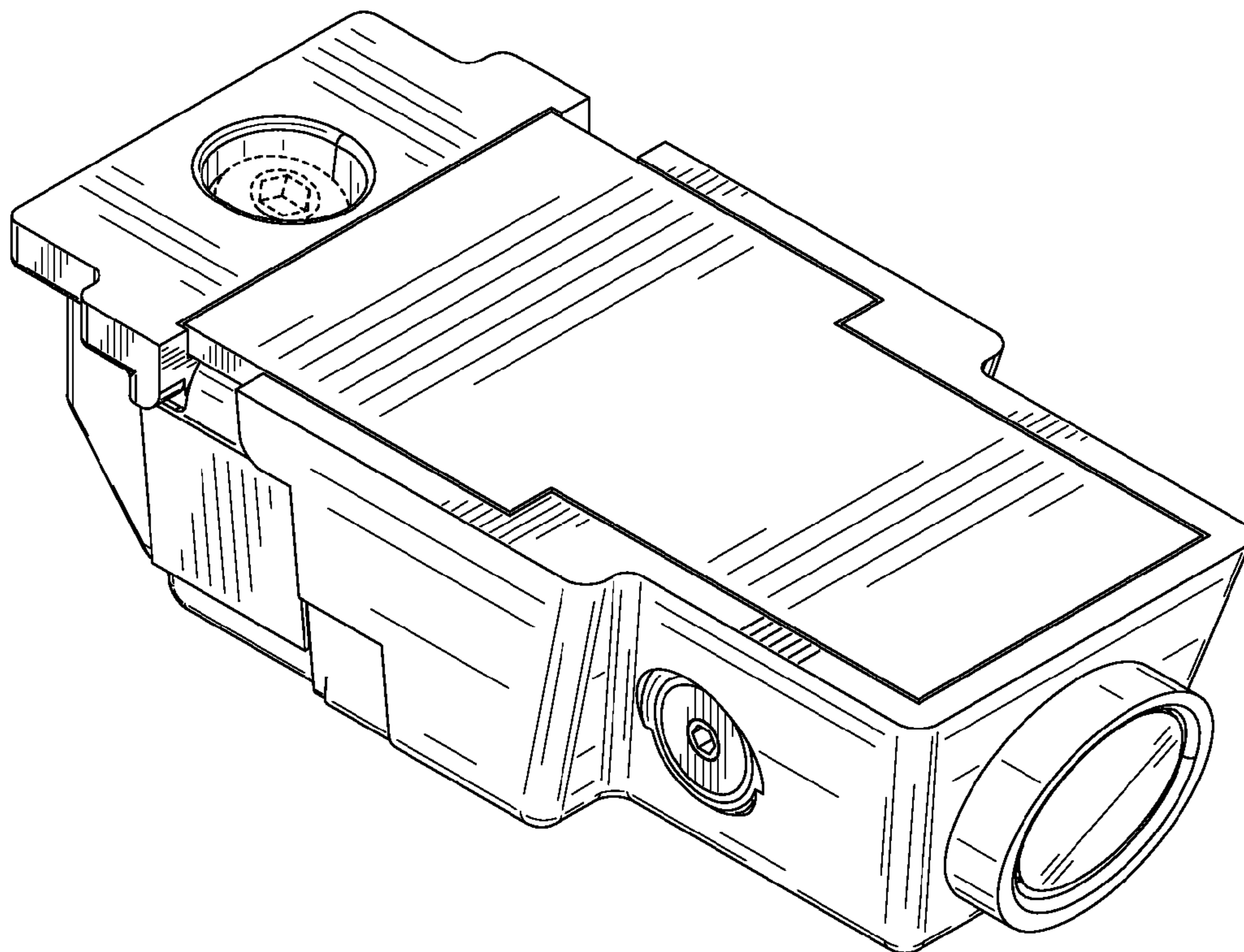
FIG. 7 is a front view of the laser of FIG. 1;

FIG. 8 is a rear view of the laser of FIG. 1; and,

FIG. 9 is a third perspective view of the laser of FIG. 1;

The broken lines in the Figures are for illustrative purposes only and form no part of the claimed invention.

1 Claim, 4 Drawing Sheets



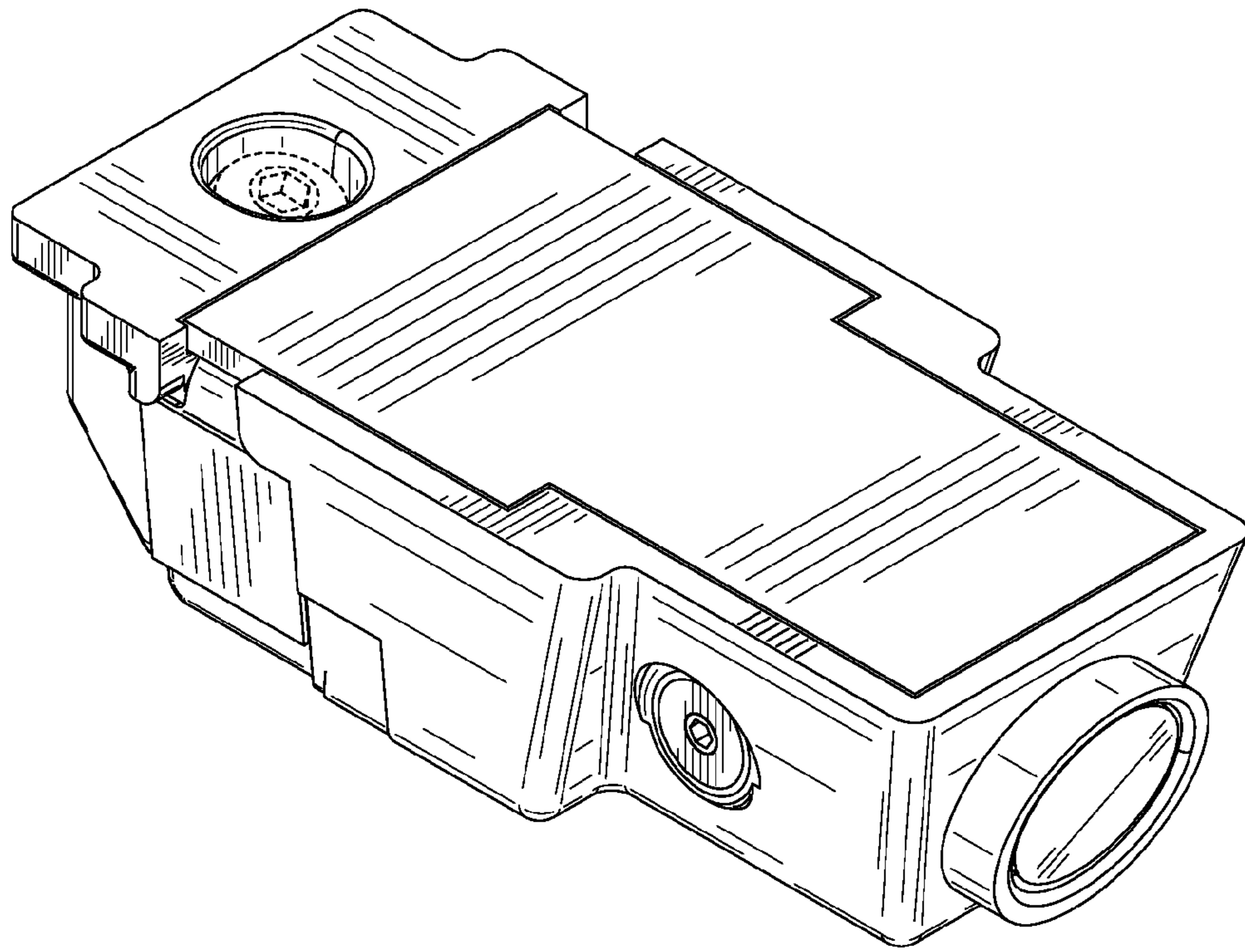


FIG. 1

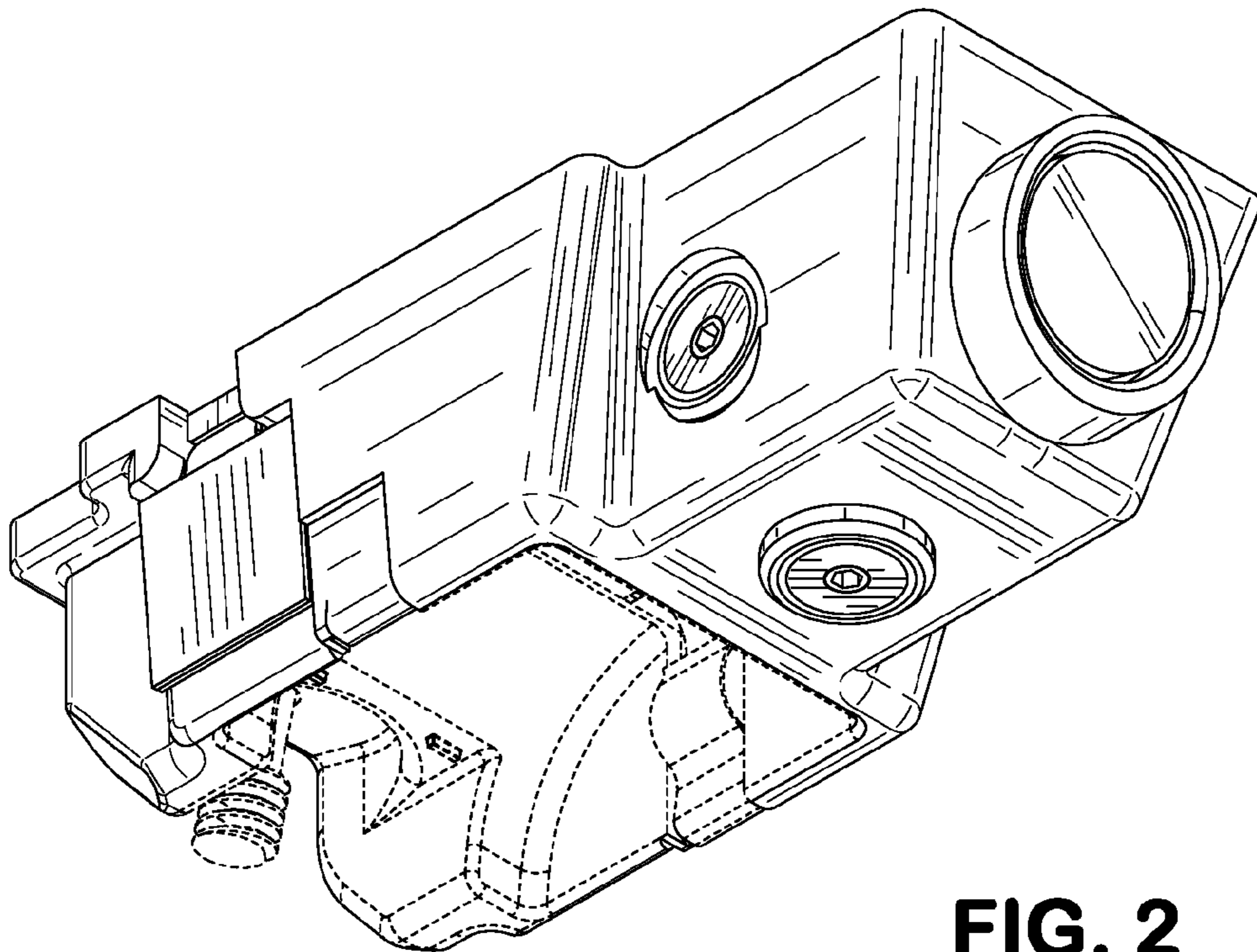


FIG. 2

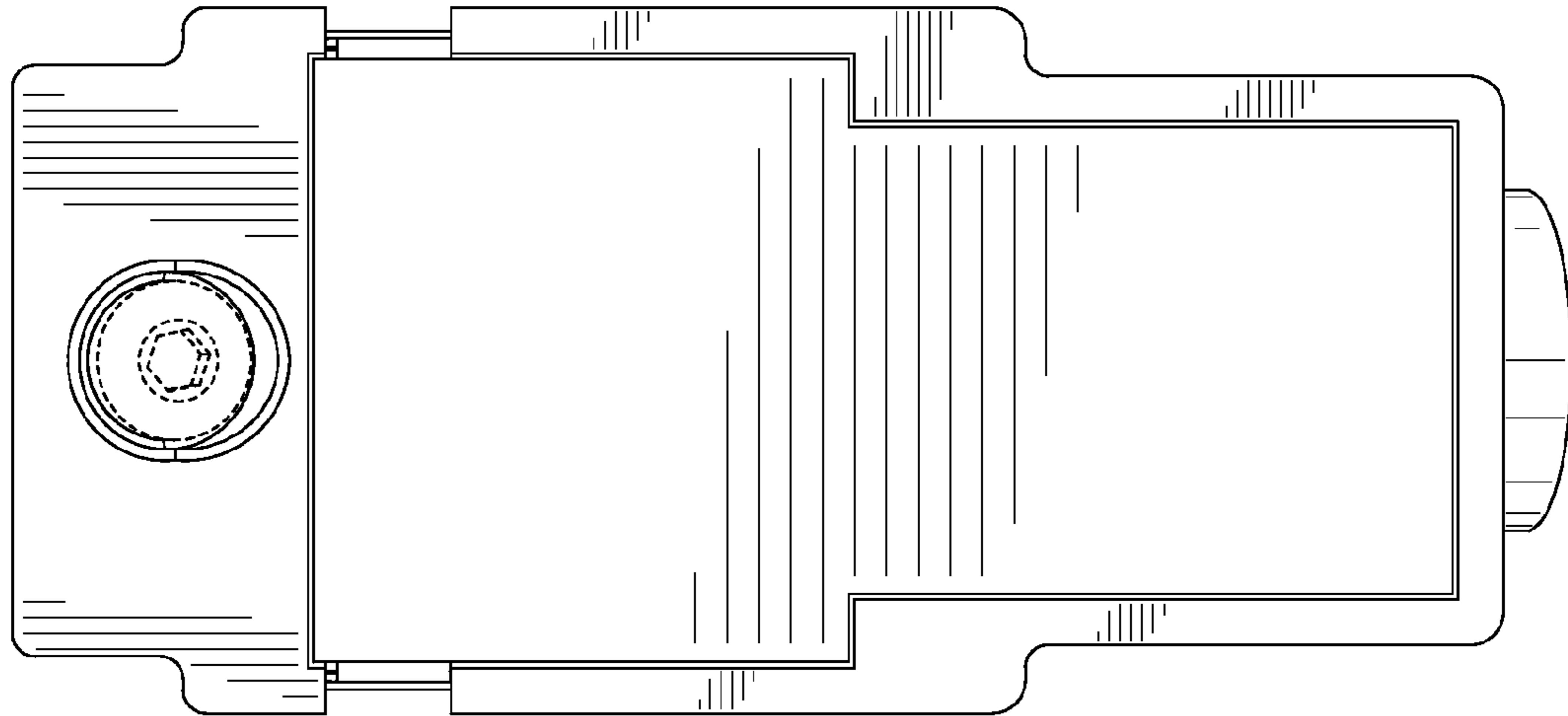


FIG. 3

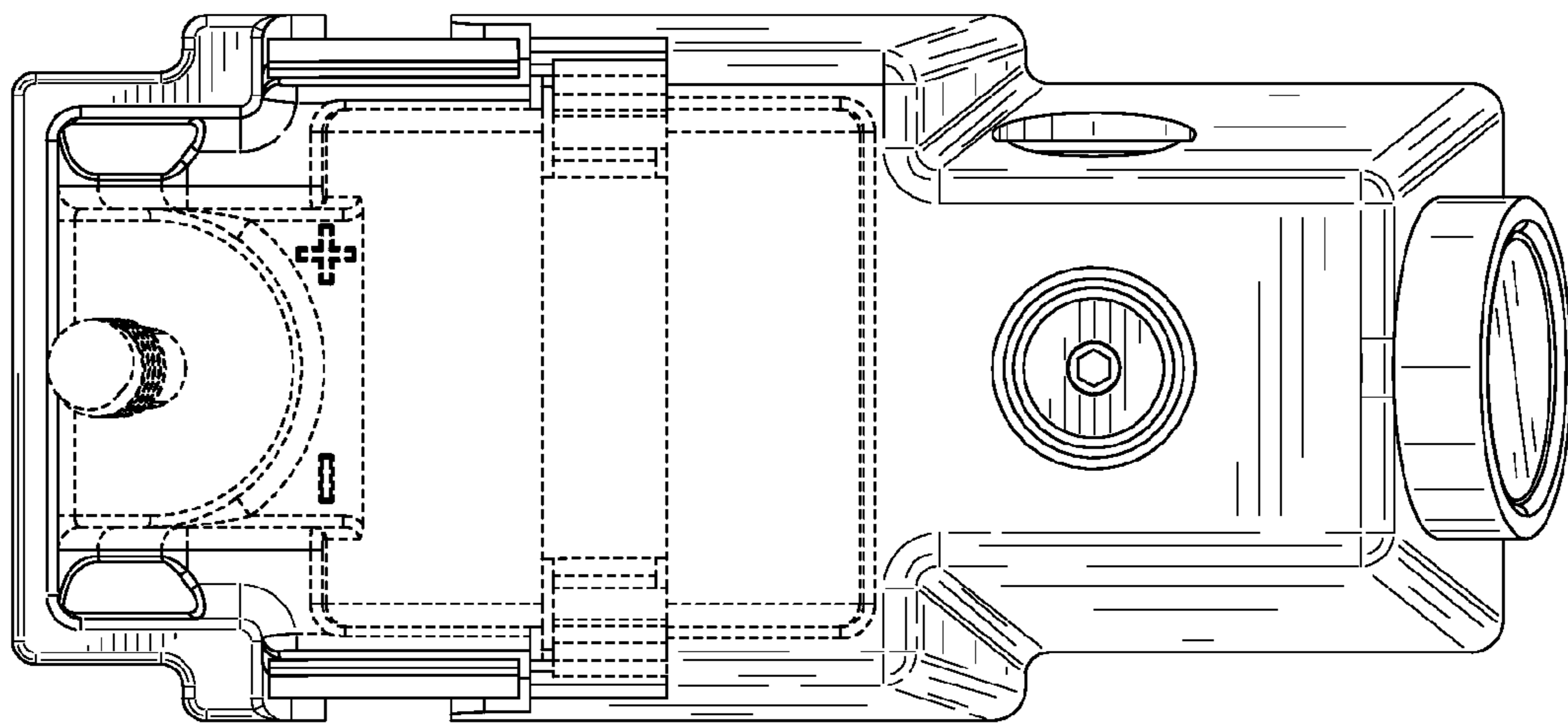


FIG. 4

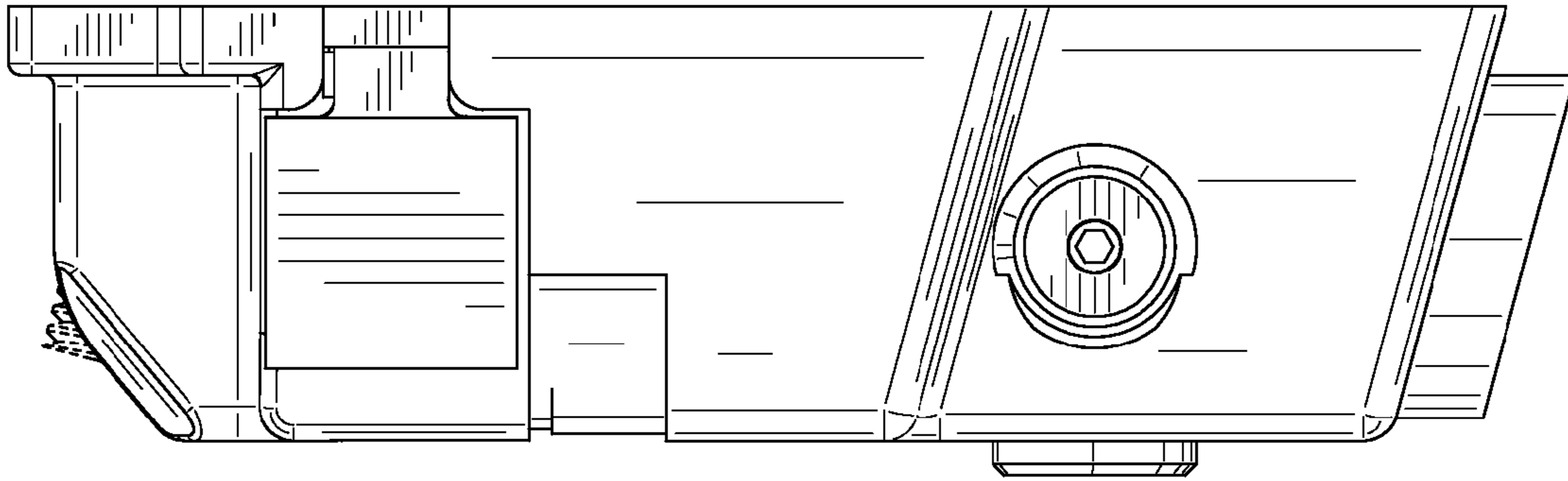


FIG. 5

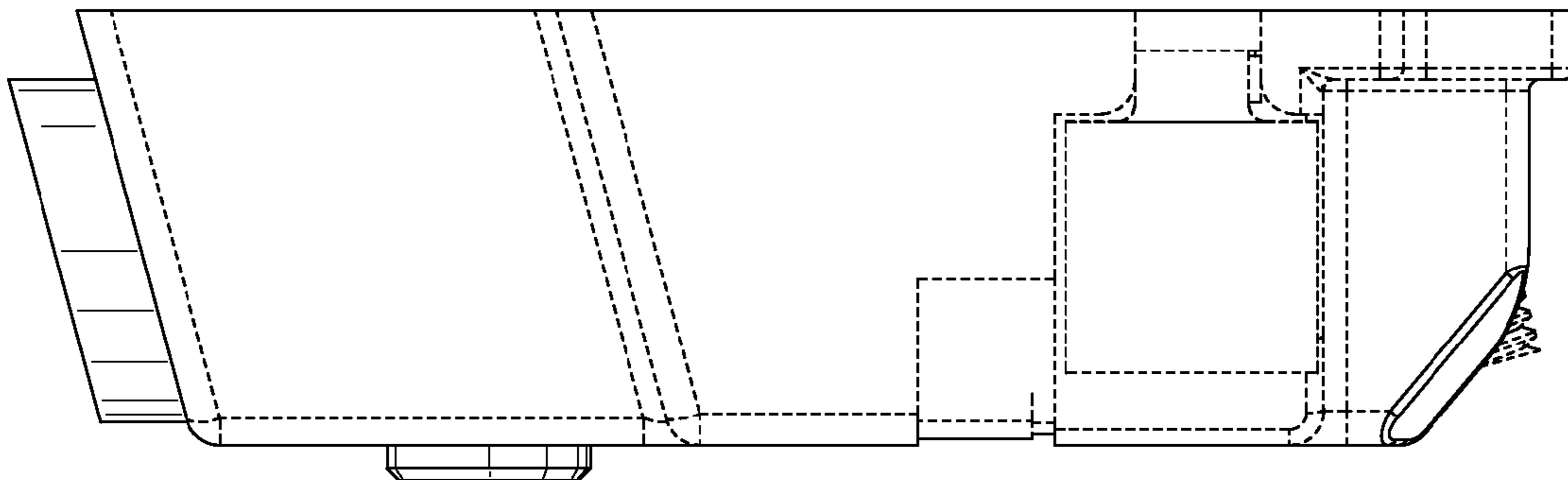


FIG. 6

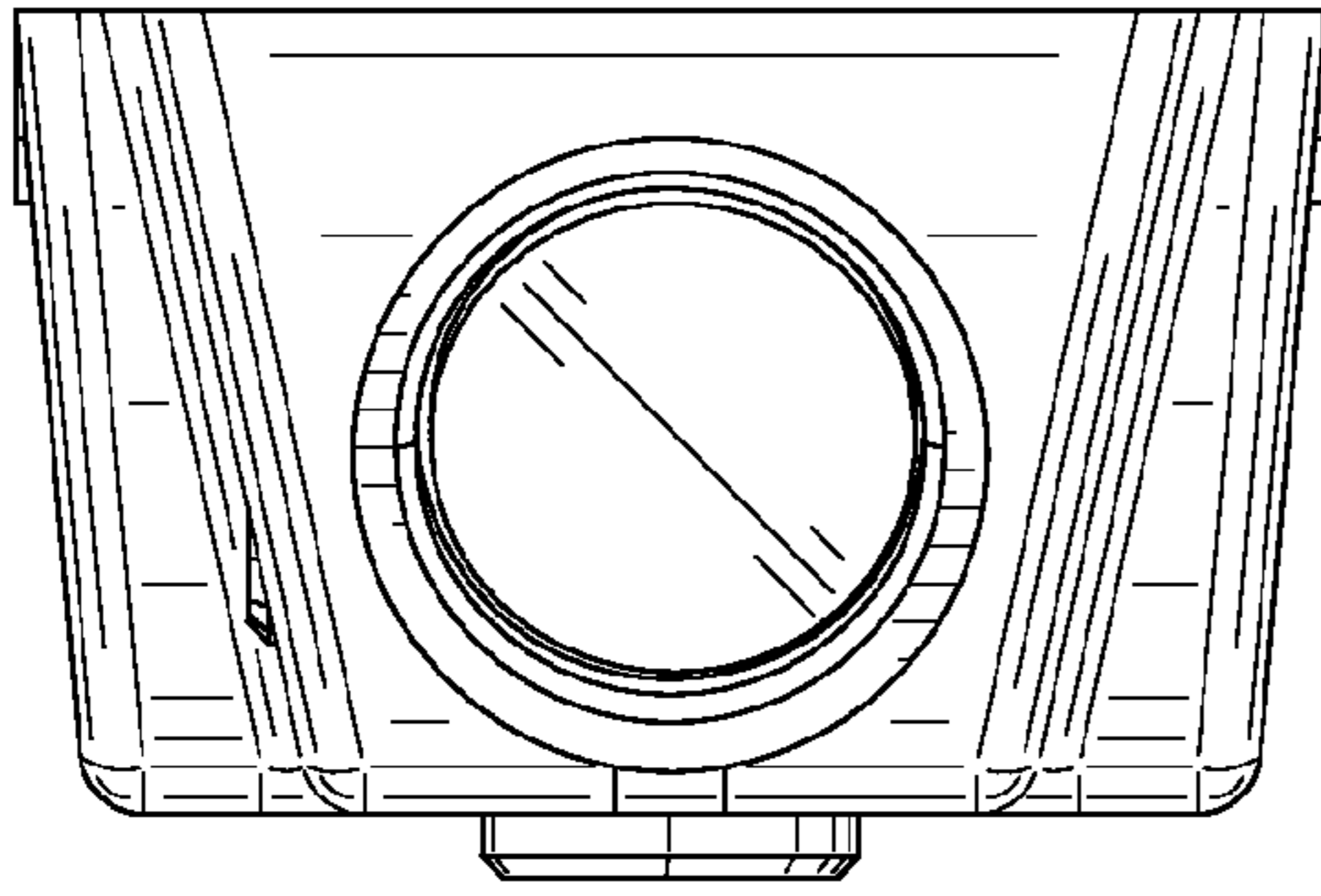


FIG. 7

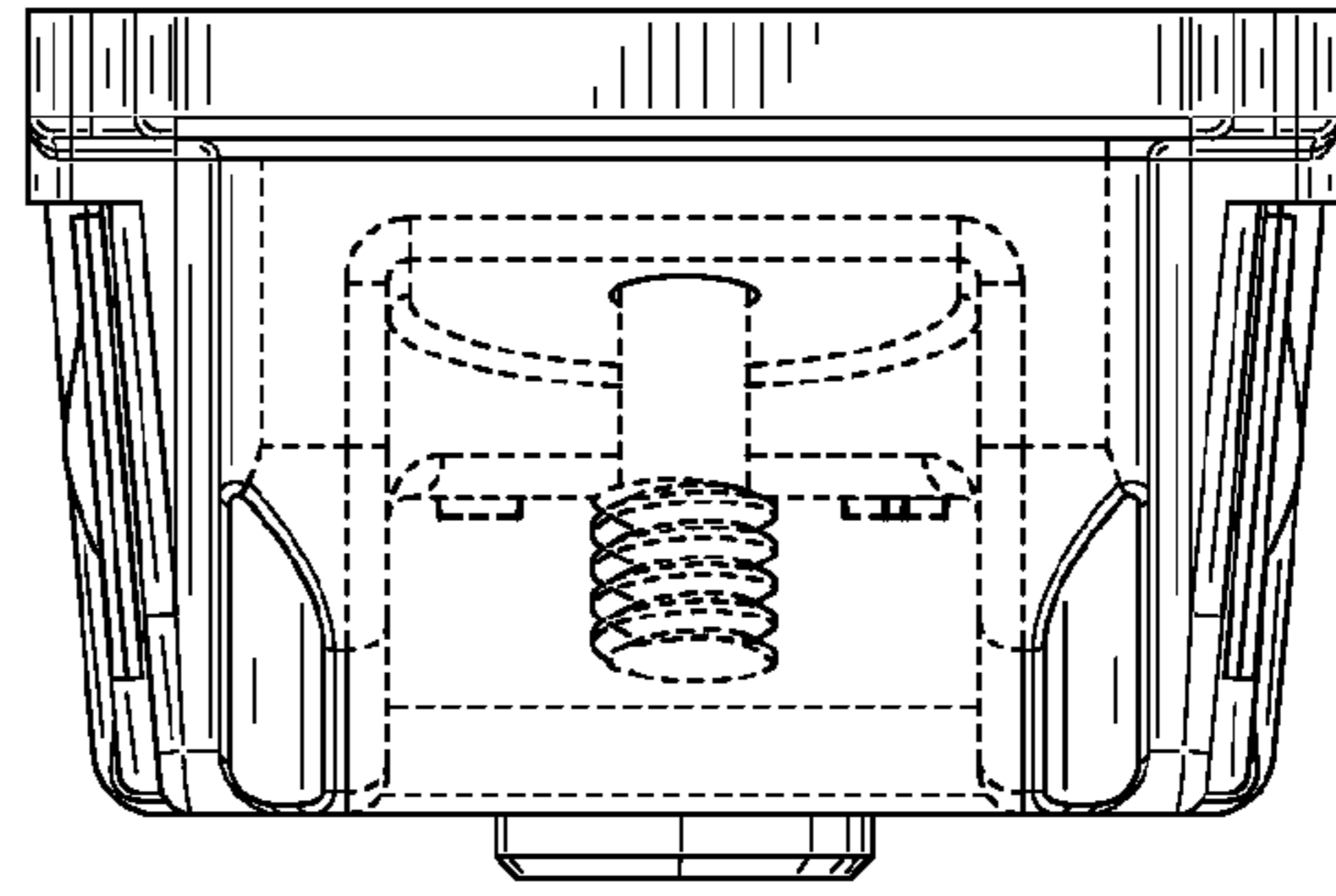


FIG. 8

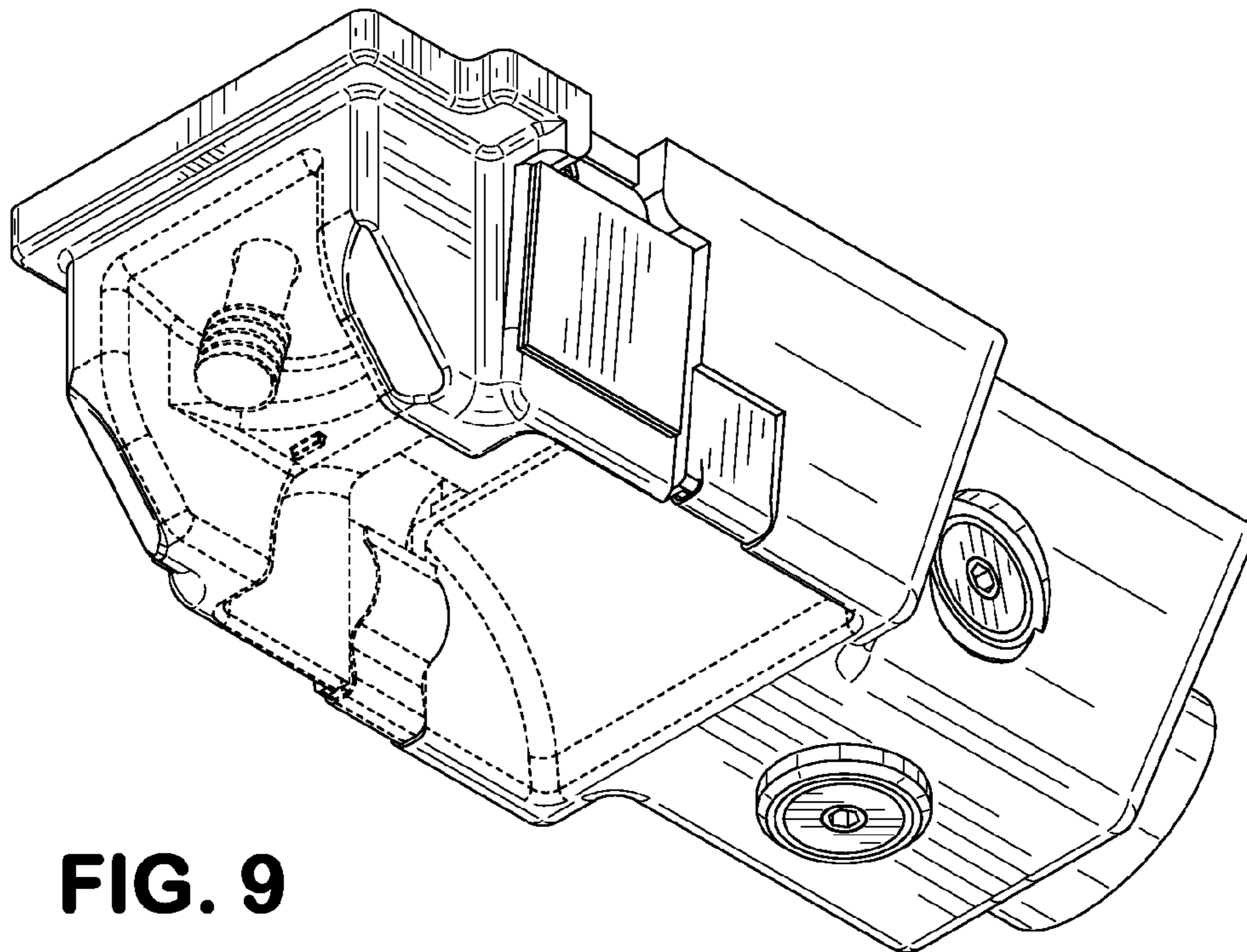


FIG. 9