



US00D612753S

(12) **United States Design Patent**
Ishii et al.

(10) **Patent No.:** **US D612,753 S**
(45) **Date of Patent:** **** Mar. 30, 2010**

(54) **ROTATING LASER**

7,392,592 B2 * 7/2008 Bublitz et al. 33/290
D587,149 S * 2/2009 Ishii et al. D10/69

(75) Inventors: **Mitsuo Ishii**, Tokyo (JP); **Shinsuke Kaneko**, Tokyo (JP)

* cited by examiner

Primary Examiner—Antoine D Davis

(73) Assignee: **Kabushiki Kaisha Topcon**, Tokyo (JP)

(74) *Attorney, Agent, or Firm*—Jacobson Holman PLLC

(**) Term: **14 Years**

(57) **CLAIM**

(21) Appl. No.: **29/311,595**

The ornamental design for a rotating laser, as shown and described.

(22) Filed: **Apr. 27, 2009**

DESCRIPTION

(30) **Foreign Application Priority Data**

The file of this patent contains at least one drawing executed in color. Copies of this patent with color drawings will be provided by the Office upon request and payment of the necessary fee.

Oct. 30, 2008 (JP) D2008-027941

(51) **LOC (9) Cl.** **10-04**

(52) **U.S. Cl.** **D10/66; D10/69**

(58) **Field of Classification Search** D10/66, D10/69; 33/276, 277, 281, 285, 286, 290, 33/291–299, DIG. 21; 340/539, 825.36, 340/825.46, 825.49; 356/5.15, 4.01, 5.01, 356/4.05, 5.05–5.09, 5.12, 28.5, 345, 375, 356/3.01, 128–155, 399–400; 385/83, 97–99, 385/134–139; 701/211–213, 150, 158; 264/1.24–1.25
See application file for complete search history.

FIG. 1 is a front, upper, left perspective view of a rotating laser, showing our new design.

FIG. 2 is a rear, upper, right perspective view of the rotating laser of FIG. 1.

FIG. 3 is a front elevational view of the rotating laser of FIG. 1.

FIG. 4 is a rear elevational view of the rotating laser of FIG. 1.

FIG. 5 is a left side elevational view of the rotating laser of FIG. 1.

FIG. 6 is a right side elevational view of the rotating laser of FIG. 1.

FIG. 7 is a top plan view of the rotating laser of FIG. 1; and, FIG. 8 is a bottom plan view of the rotating laser of FIG. 1.

(56) **References Cited**

U.S. PATENT DOCUMENTS

D470,424 S * 2/2003 Hand et al. D10/69
D527,293 S * 8/2006 Ishii D10/66
D561,621 S * 2/2008 Ishii et al. D10/66
D564,922 S * 3/2008 Ishii D10/66

1 Claim, 8 Drawing Sheets
(7 of 8 Drawing Sheet(s) Filed in Color)

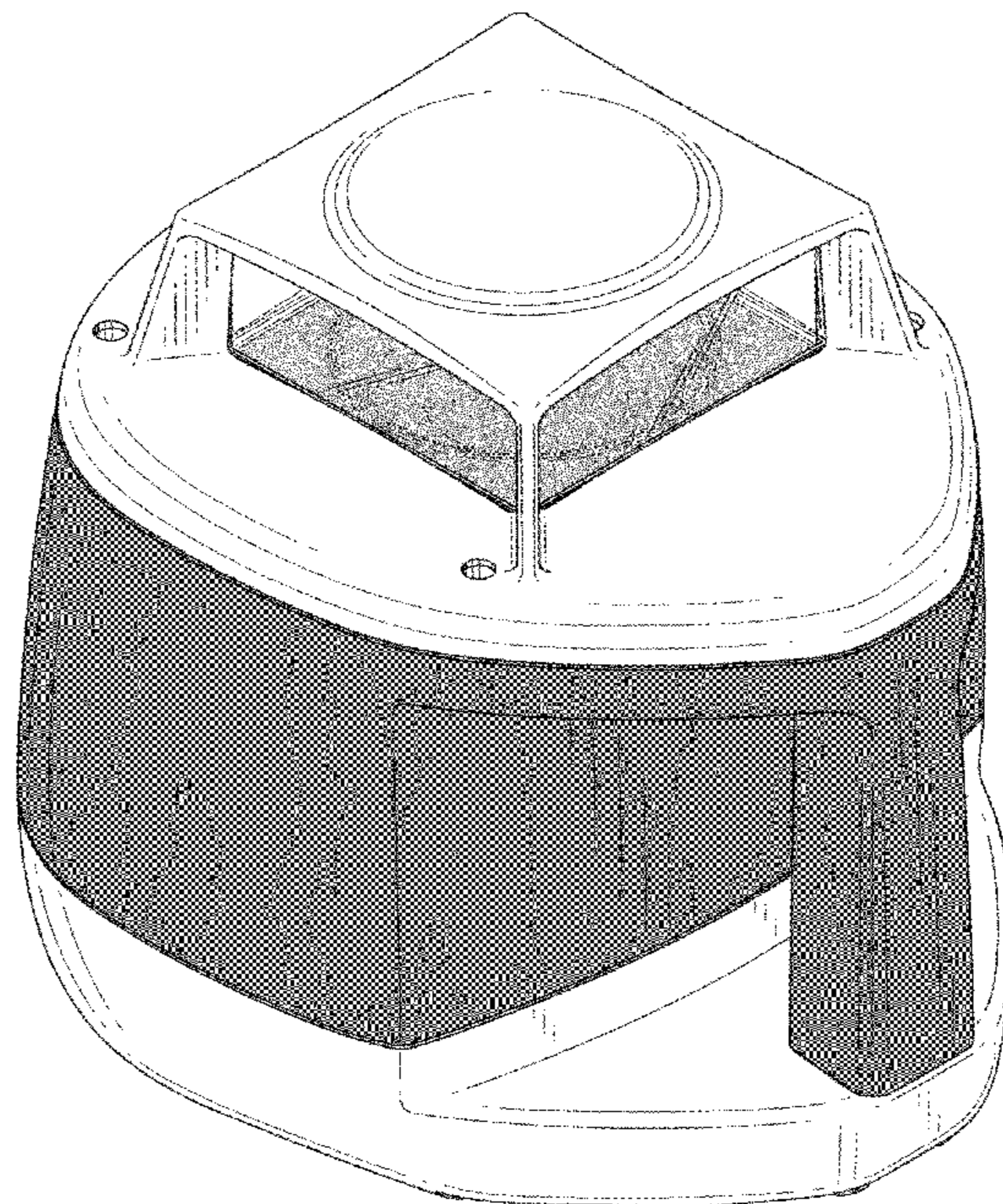


FIG.1

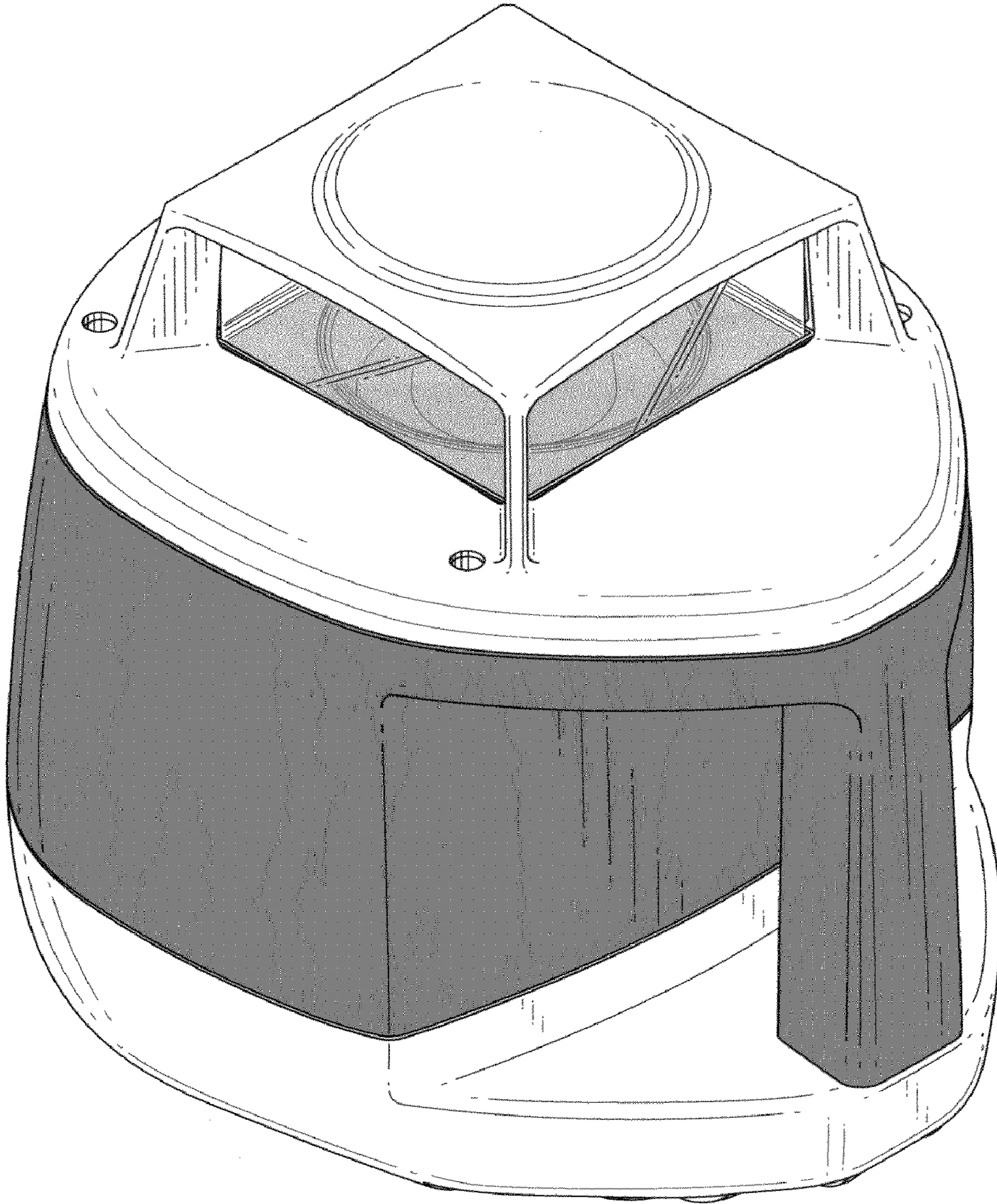


FIG.2

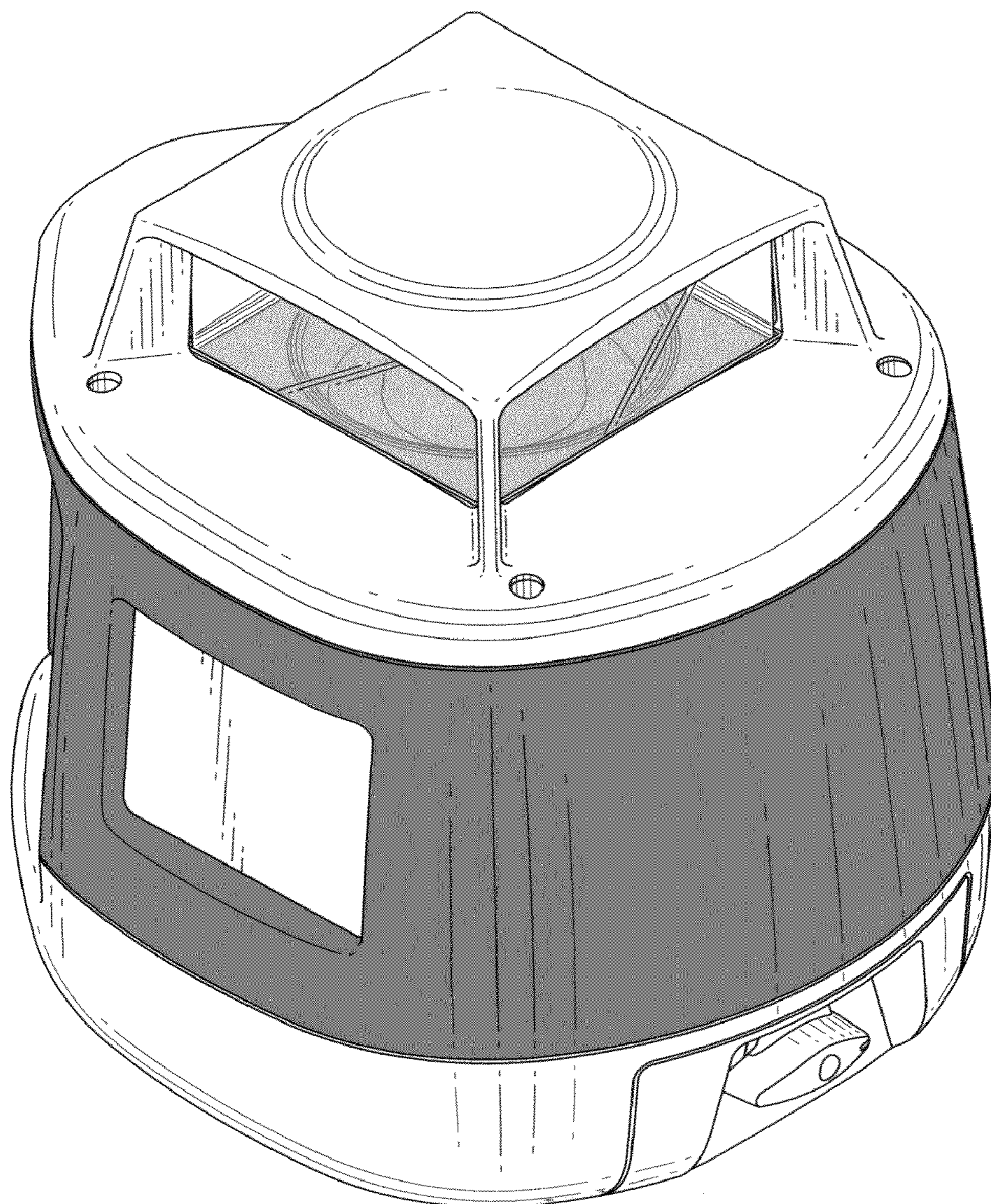


FIG.3

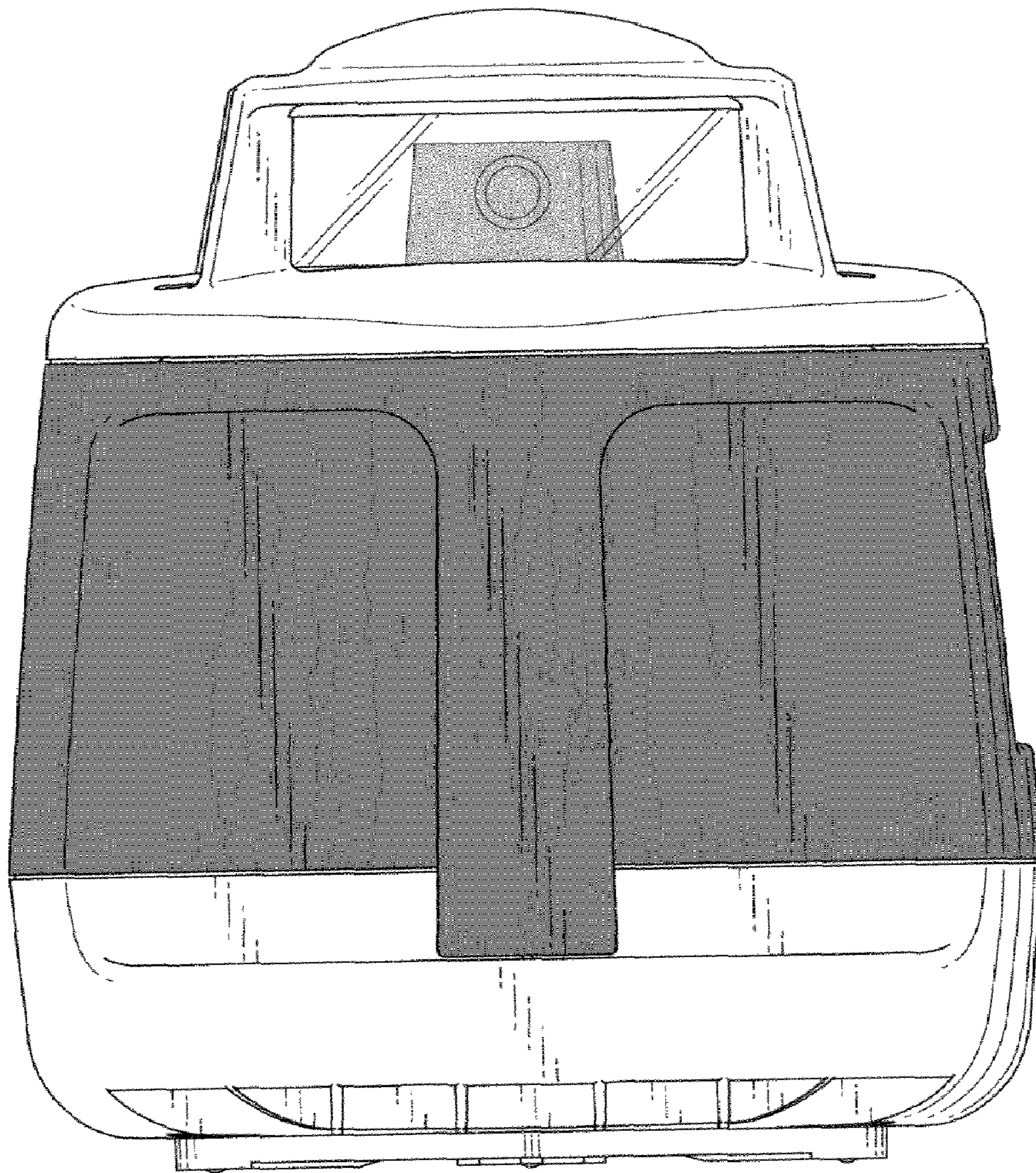


FIG.4

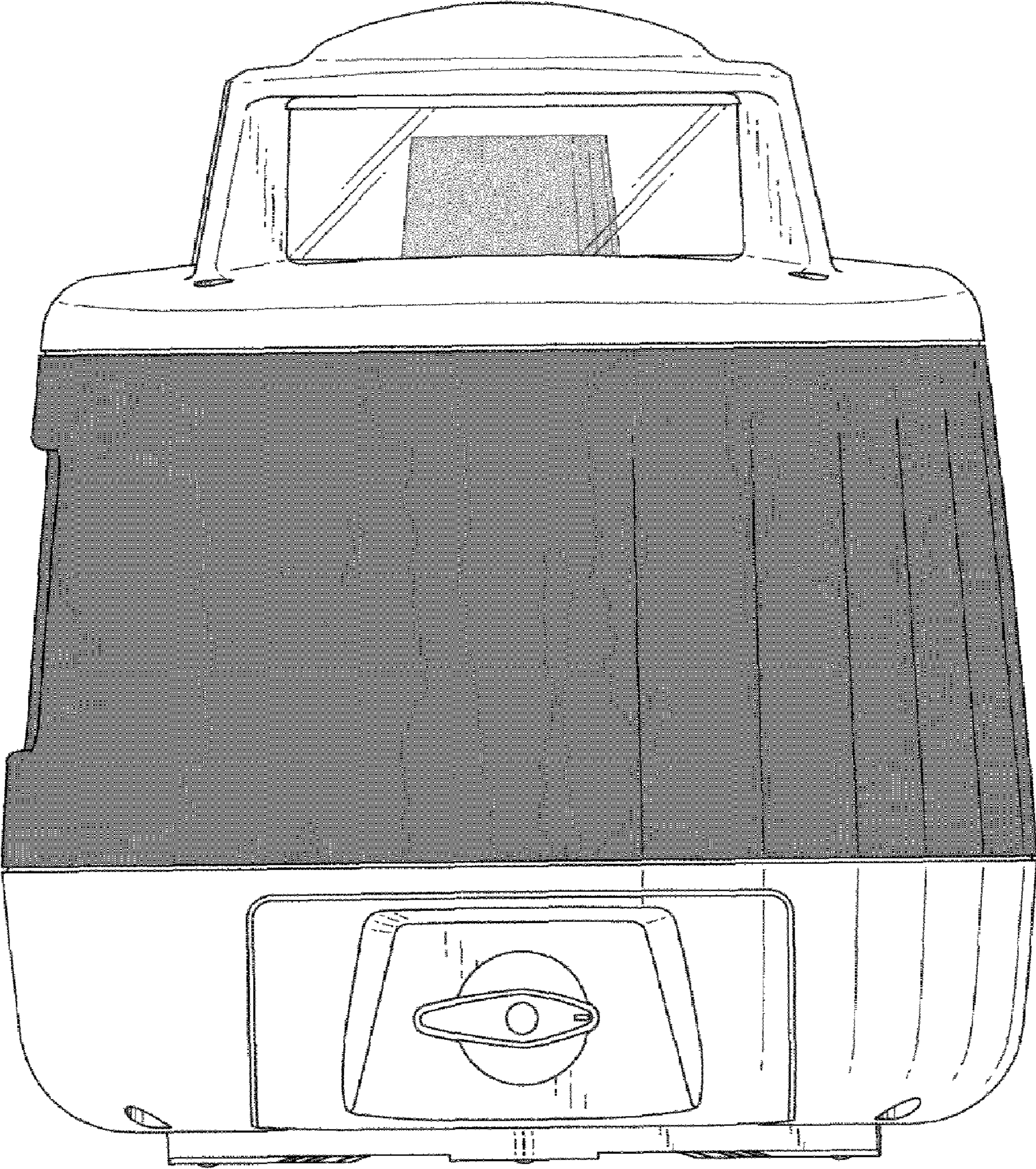


FIG.5

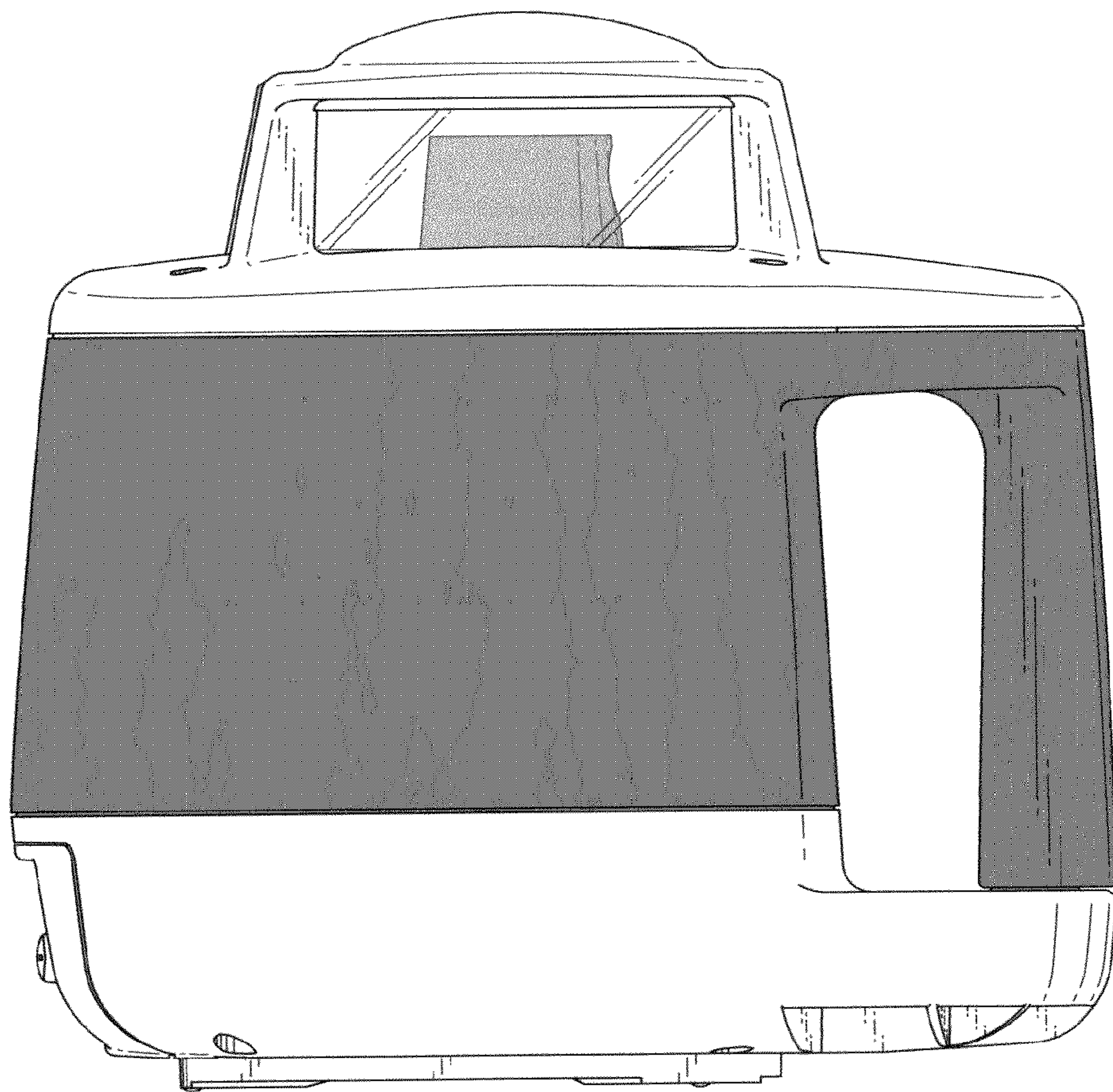


FIG.6

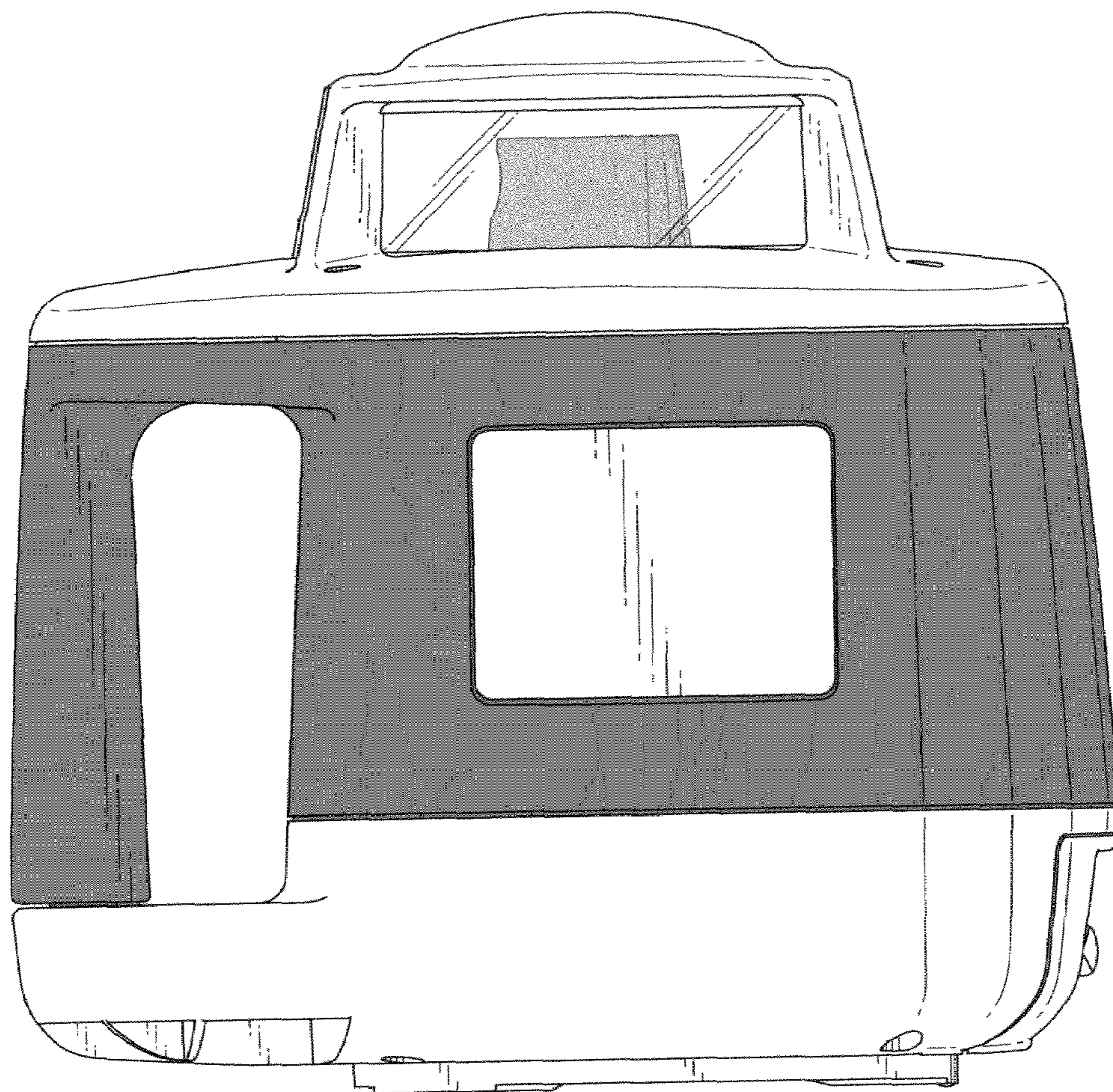


FIG. 7

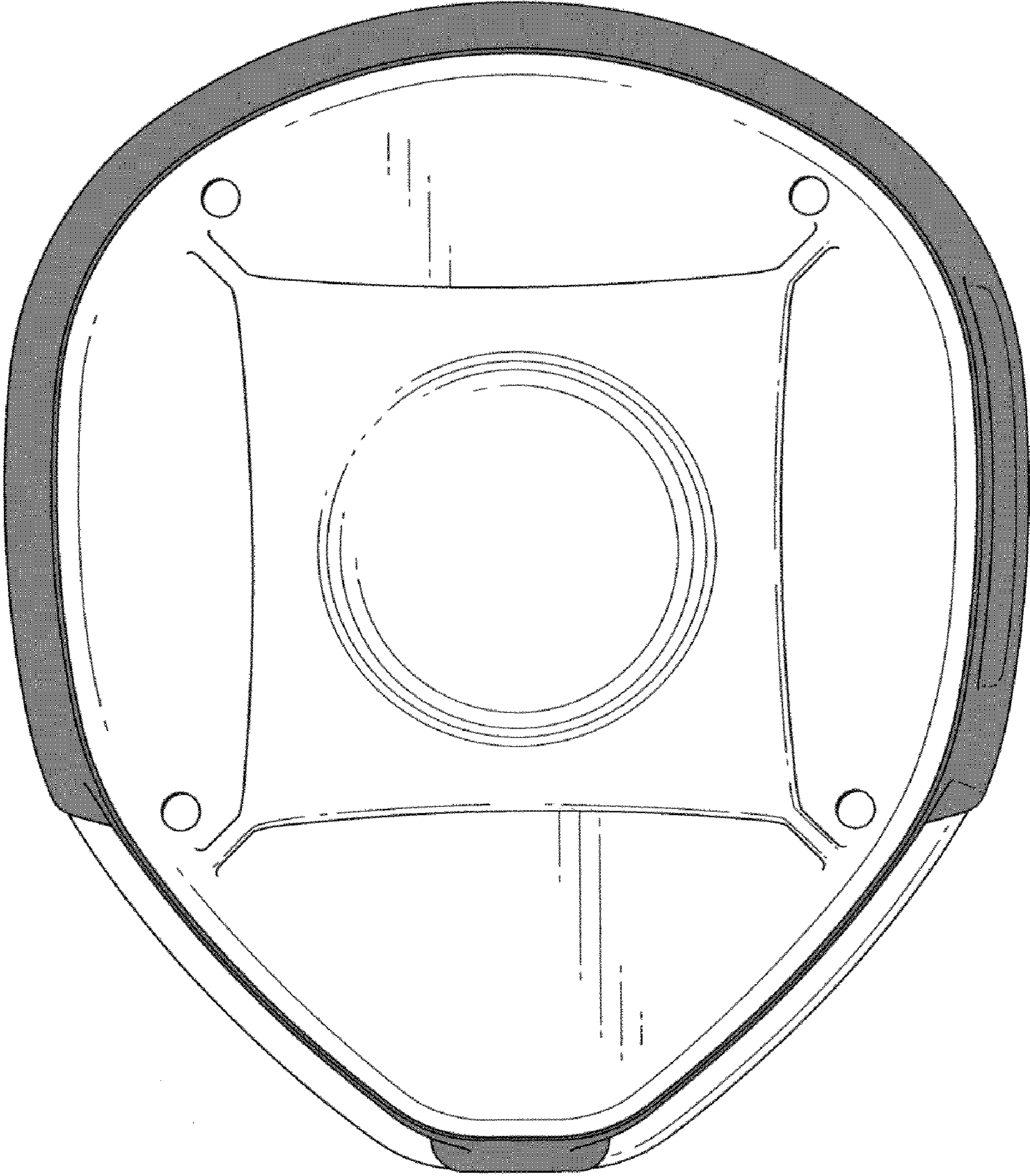


FIG.8

