



US00D612751S

(12) **United States Design Patent**  
**Bach et al.**

(10) **Patent No.:** **US D612,751 S**  
(45) **Date of Patent:** **\*\* Mar. 30, 2010**

(54) **OPTOELECTRONIC SENSOR**

7,038,189 B2 \* 5/2006 Kawai ..... 250/222.2  
2005/0009239 A1 \* 1/2005 Wolff et al. .... 438/123

(75) Inventors: **Julia Bach**, Ringsheim (DE); **Christoph Angenendt**, Freiburg (DE)

(73) Assignee: **Sick AG**, Waldkirch (DE)

(\*\*) Term: **14 Years**

(21) Appl. No.: **29/299,945**

(22) Filed: **Jan. 7, 2008**

(30) **Foreign Application Priority Data**

Jul. 10, 2007 (EM) ..... 000754825

(51) **LOC (9) Cl.** ..... **10-04**

(52) **U.S. Cl.** ..... **D10/46**

(58) **Field of Classification Search** ..... D10/46;  
250/214 R, 221, 222.1, 222.2, 227.25, 341.8,  
250/574; 257/E31, 117, 81, 432-433; 340/630;  
375/E1.001; 398/140; 438/123

See application file for complete search history.

(56) **References Cited**

**U.S. PATENT DOCUMENTS**

4,456,828 A \* 6/1984 Mason et al. .... 257/E31.103

\* cited by examiner

*Primary Examiner*—Antoine D Davis

(74) *Attorney, Agent, or Firm*—Townsend and Townsend and Crew, LLP

(57) **CLAIM**

The ornamental design for an optoelectronic sensor, as shown and described.

**DESCRIPTION**

FIG. 1 is a front view of an optoelectronic sensor showing our new design;

FIG. 2 is a left side view thereof;

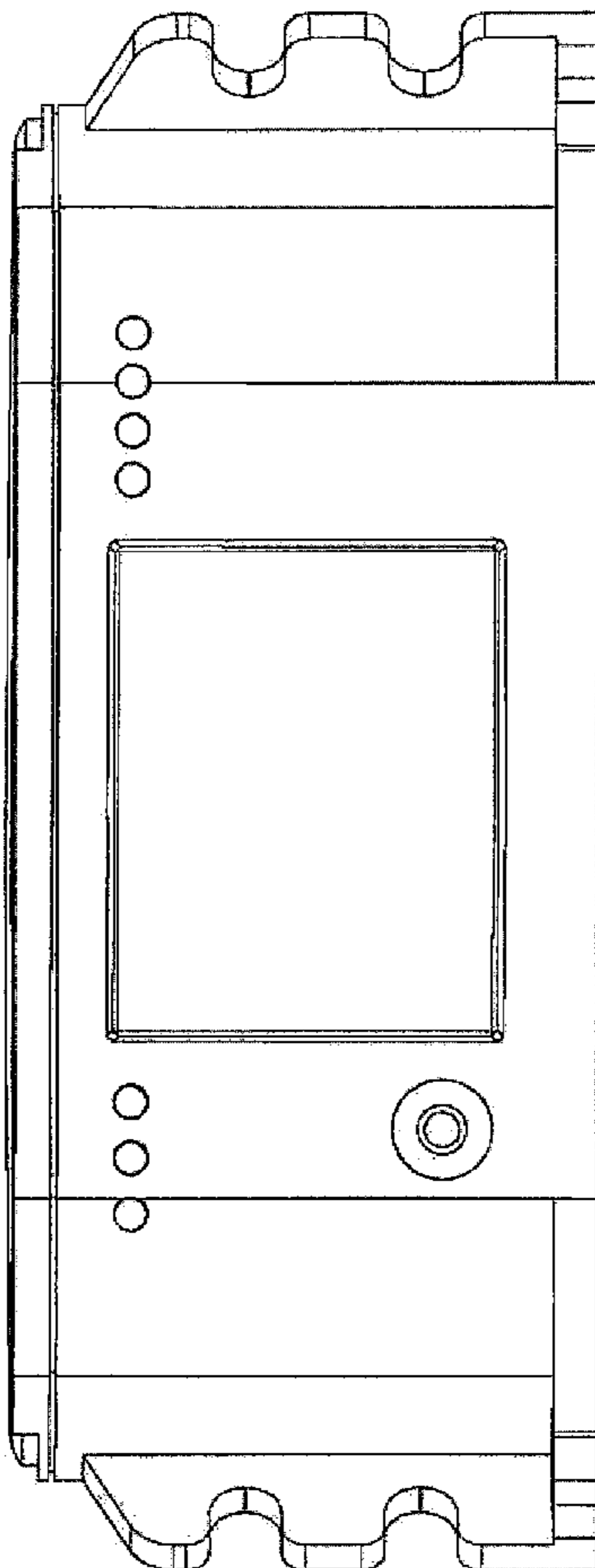
FIG. 3 is a back view thereof;

FIG. 4 is a right-side view thereof;

FIG. 5 is a back view perspective thereof; and,

FIG. 6 is a front view perspective thereof.

**1 Claim, 6 Drawing Sheets**



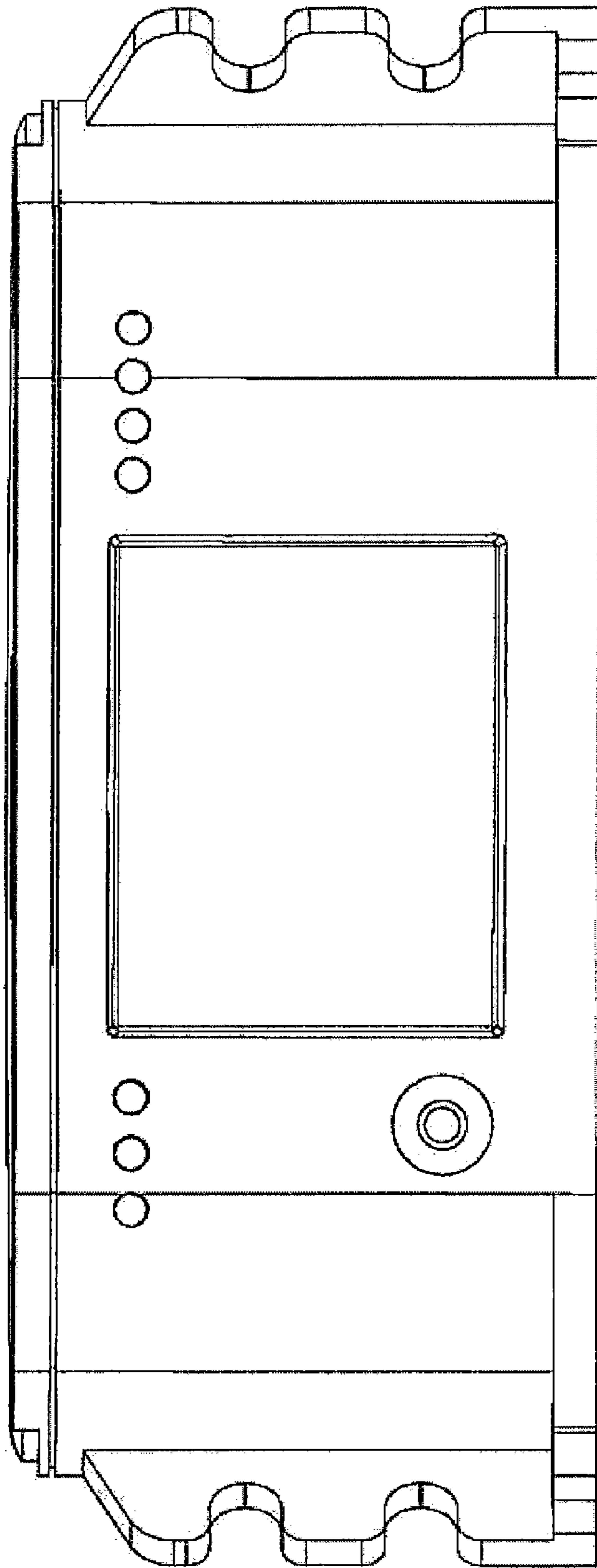


FIG. 1

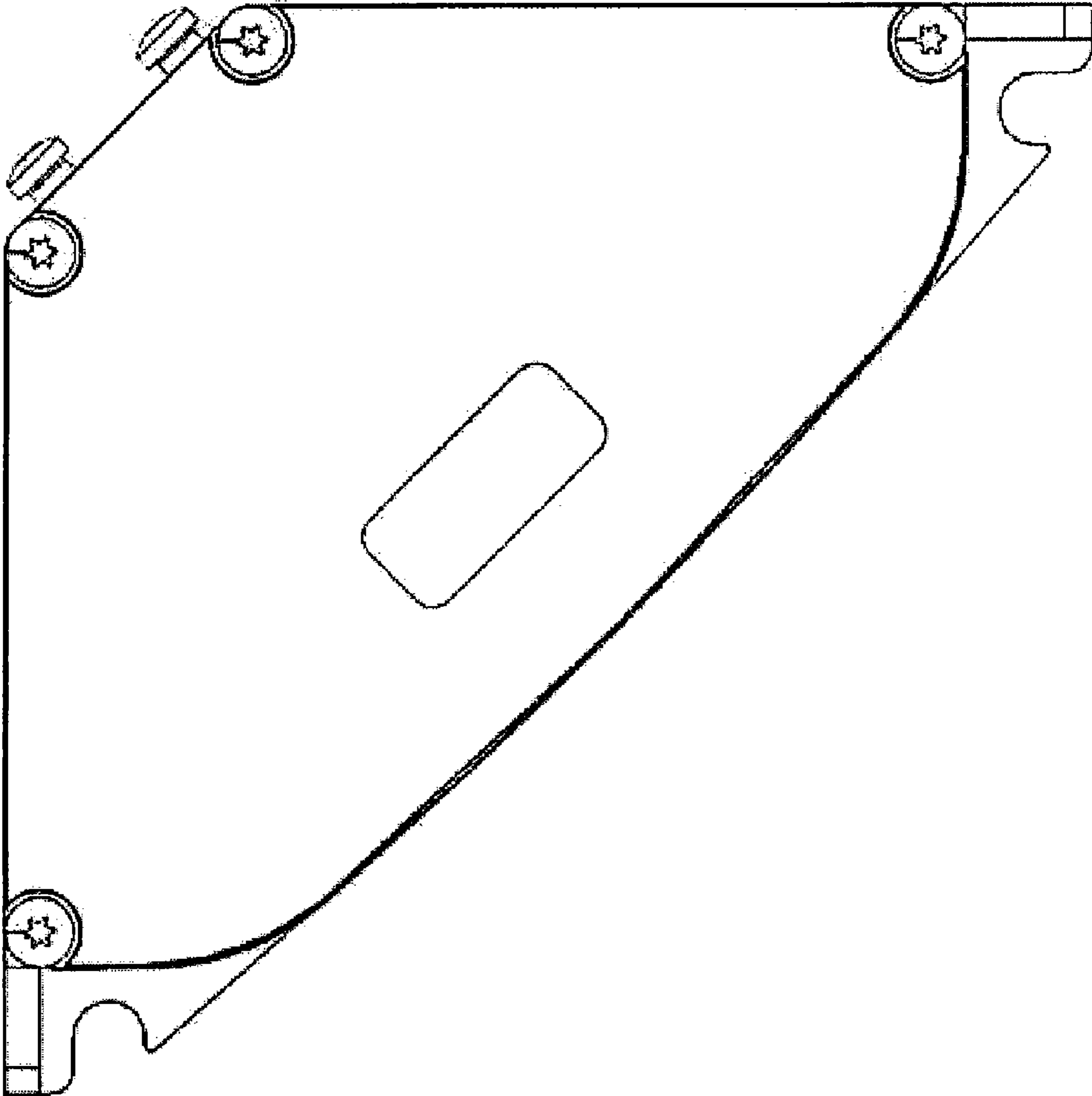


FIG. 2

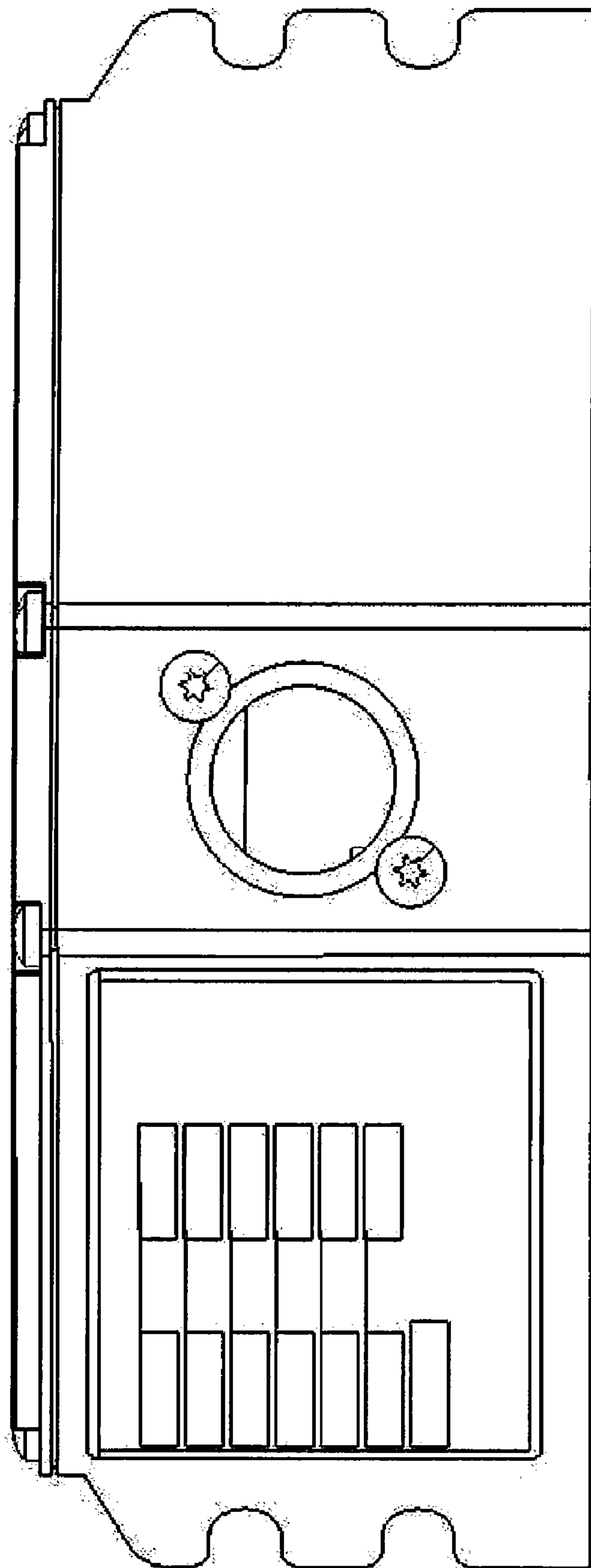


FIG. 3

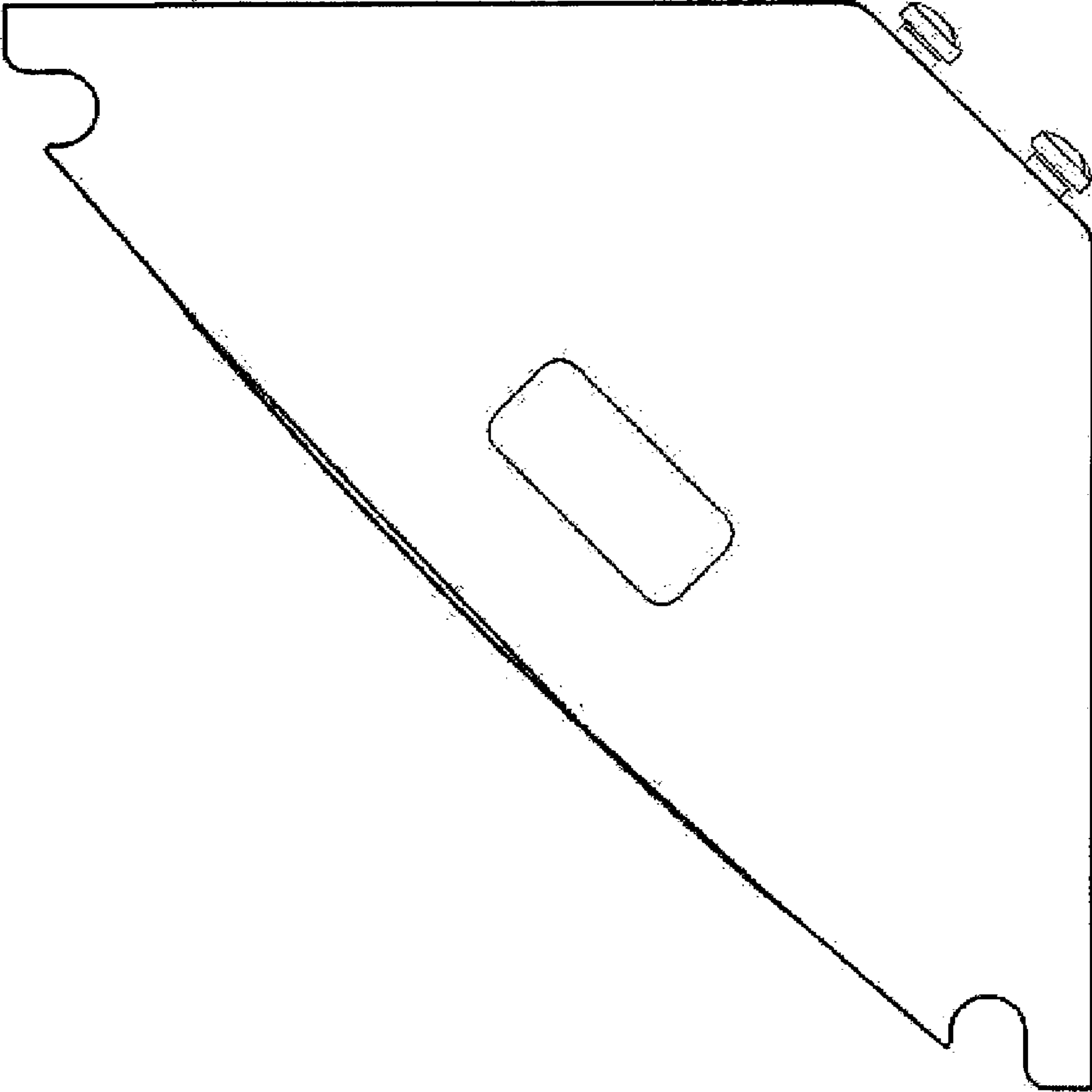


FIG. 4

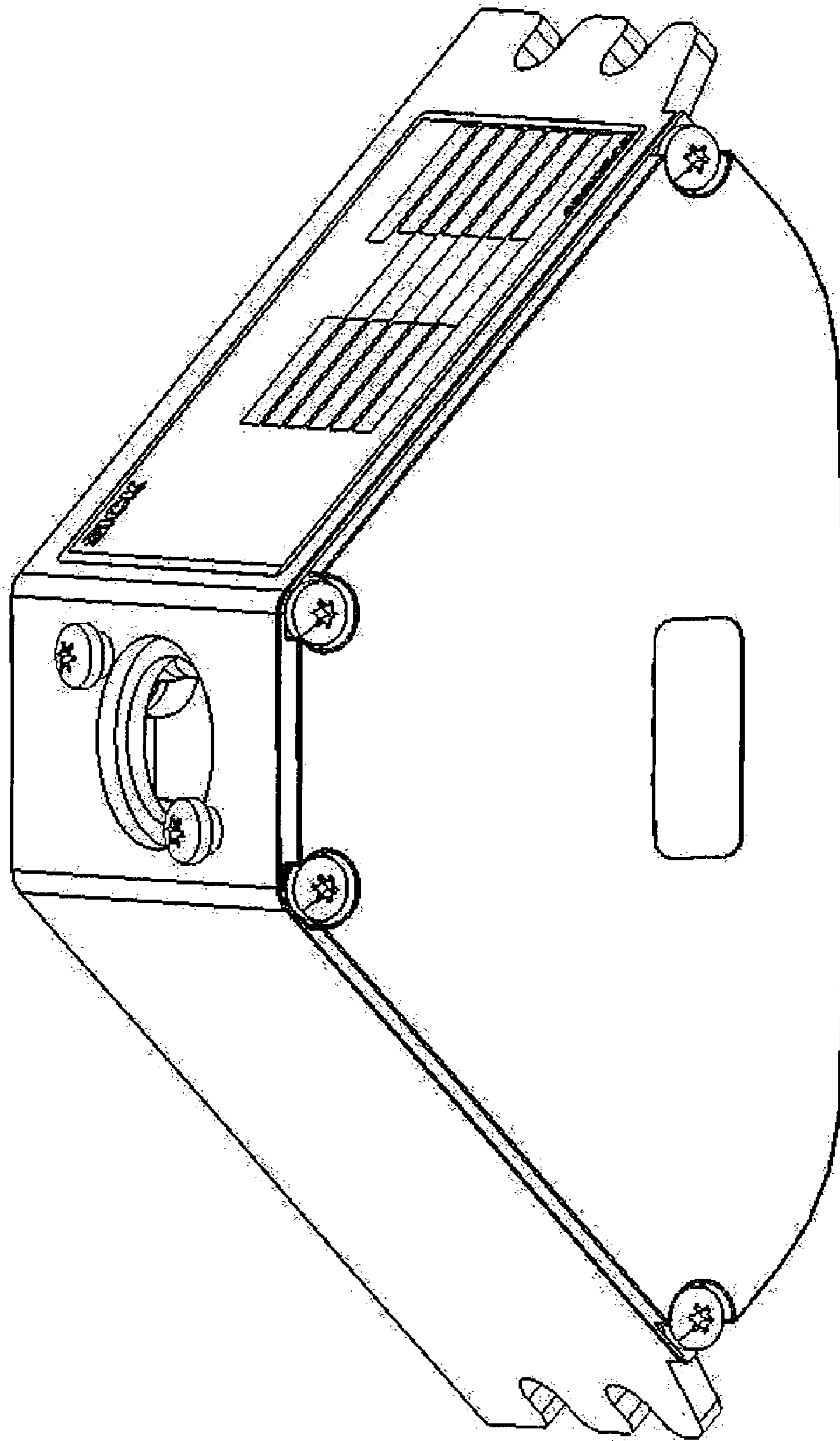


FIG. 5

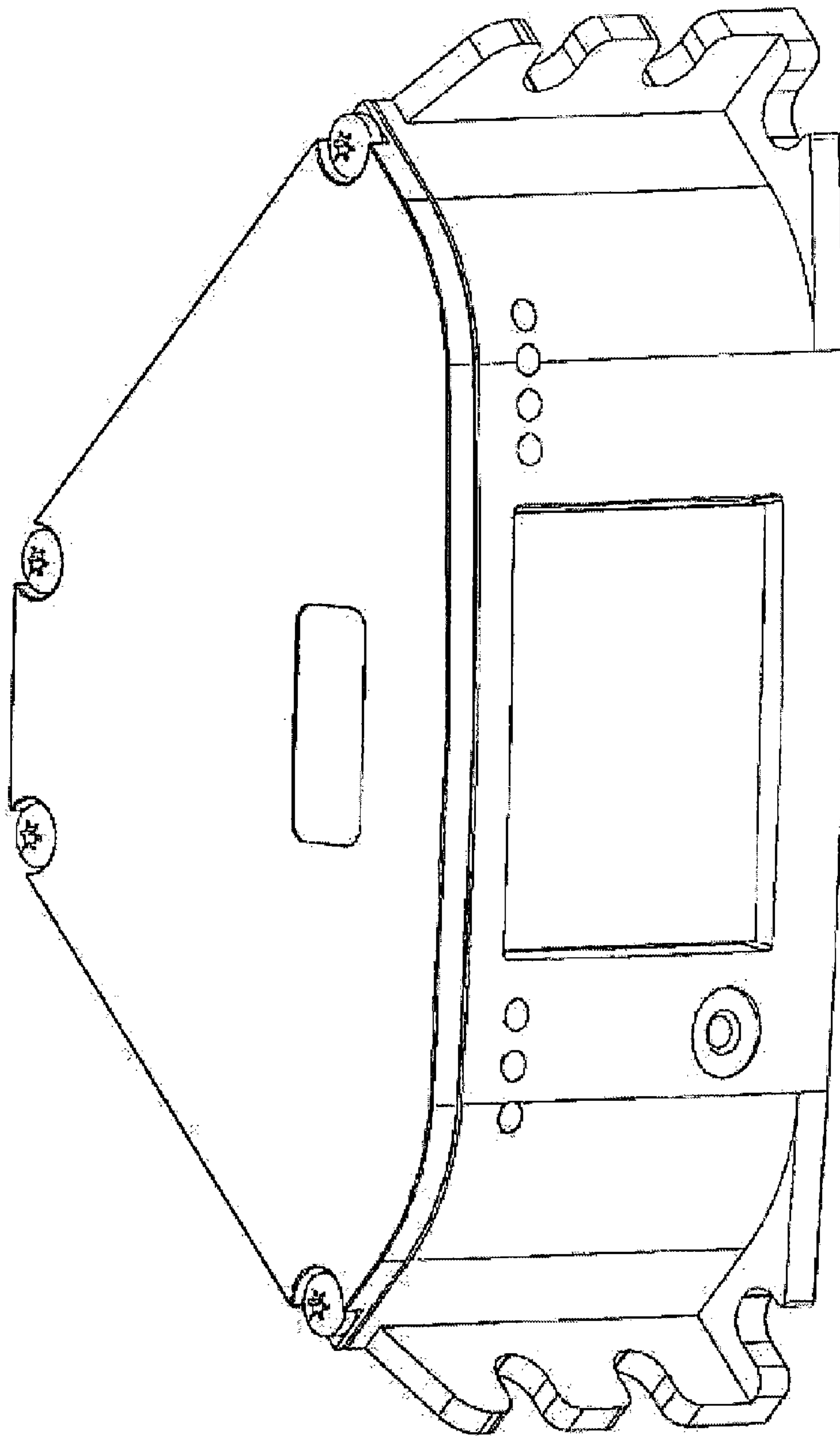


FIG. 6