



US00D612749S

(12) **United States Design Patent**  
**Loth**

(10) **Patent No.:** **US D612,749 S**  
(45) **Date of Patent:** **\*\* Mar. 30, 2010**

(54) **WRISTWATCH**

(75) Inventor: **Eric A. Loth**, La Chaux-de-Fonds (CH)

(73) Assignee: **The British Masters SA**, La Chaux-De-Fonds (CH)

(\*\*) Term: **14 Years**

(21) Appl. No.: **29/344,278**

(22) Filed: **Sep. 25, 2009**

(30) **Foreign Application Priority Data**

Mar. 25, 2009 (CH) ..... 135880

(51) **LOC (9) Cl.** ..... **10-02**

(52) **U.S. Cl.** ..... **D10/32**

(58) **Field of Classification Search** ..... D10/30-39,  
D10/122-132; 368/276, 281, 282, 285, 223,  
368/228, 28, 232, 80, 308, 319

See application file for complete search history.

(56) **References Cited**

**U.S. PATENT DOCUMENTS**

3,427,800	A	*	2/1969	Blum	.....	368/223
3,503,203	A	*	3/1970	Gruner et al.	.....	368/21
D306,981	S	*	4/1990	Bettolini	.....	D11/3
D391,176	S	*	2/1998	Bulgari	.....	D10/39
D452,175	S	*	12/2001	Finazzi	.....	D10/39
D457,817	S	*	5/2002	Brandt	.....	D10/39
D533,468	S	*	12/2006	Loth	.....	D10/32

D536,996	S	*	2/2007	Loth	.....	D10/32
D540,195	S	*	4/2007	Nussbaumer	.....	D10/31
D574,263	S	*	8/2008	Loth	.....	D10/38
D574,734	S	*	8/2008	Loth	.....	D10/38
D585,768	S	*	2/2009	Loth	.....	D10/39
D586,238	S	*	2/2009	Loth	.....	D10/32
D586,669	S	*	2/2009	Loth	.....	D10/39
D591,179	S	*	4/2009	Loth	.....	D10/39

\* cited by examiner

*Primary Examiner*—Lucy Lieberman

(74) *Attorney, Agent, or Firm*—Sughrue Mion, PLLC

(57) **CLAIM**

The ornamental design for a wristwatch, as shown and described.

**DESCRIPTION**

FIG. 1 is a perspective view of the front and left side of a wristwatch showing my new design;

FIG. 2 is a front elevational view thereof;

FIG. 3 is a rear elevational view thereof;

FIG. 4 is a left side elevational view thereof;

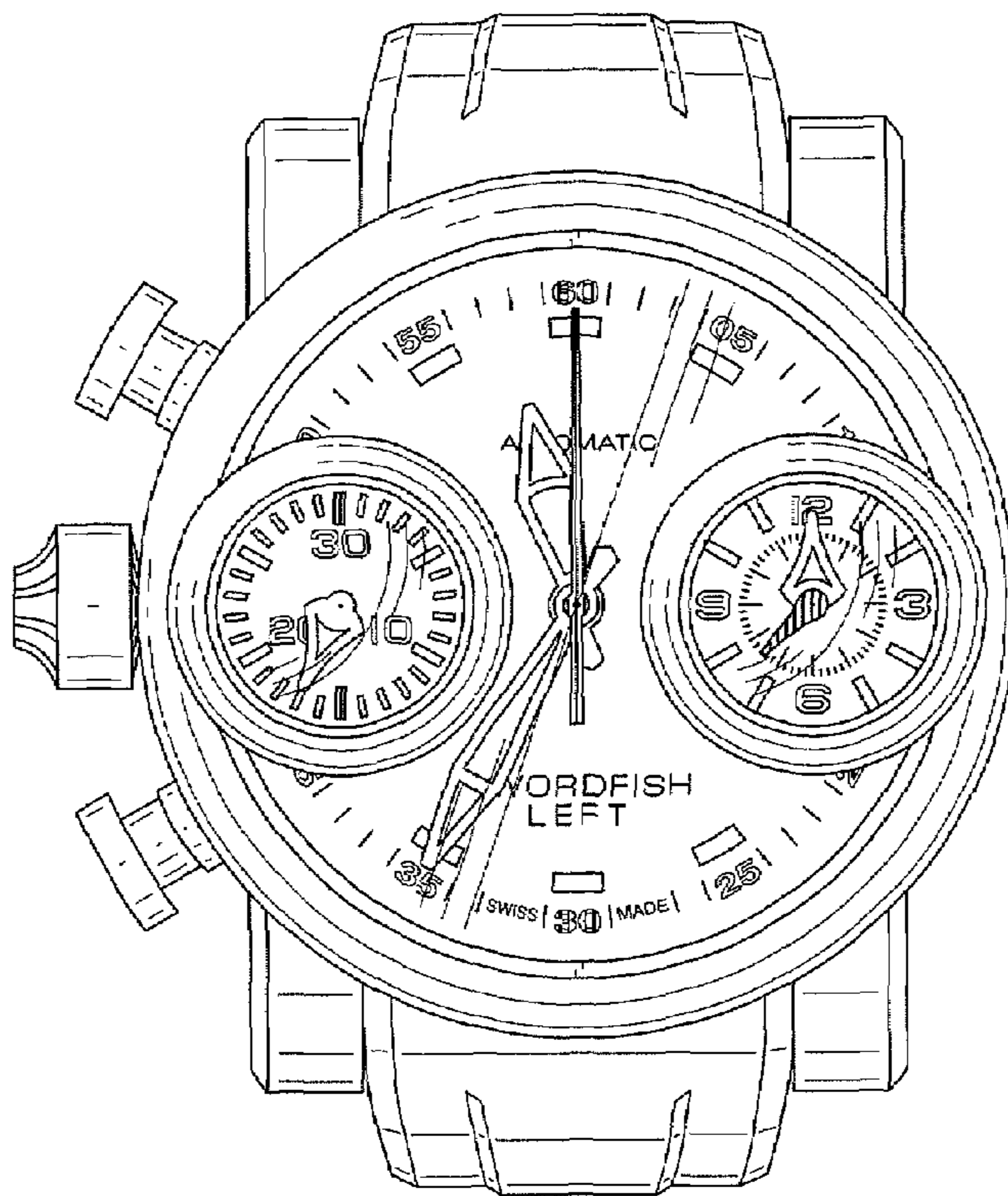
FIG. 5 is a right side elevational view thereof;

FIG. 6 is a top plan view thereof;

FIG. 7 is a bottom plan view thereof; and,

FIG. 8 is a perspective view of the rear and left side thereof.

**1 Claim, 8 Drawing Sheets**



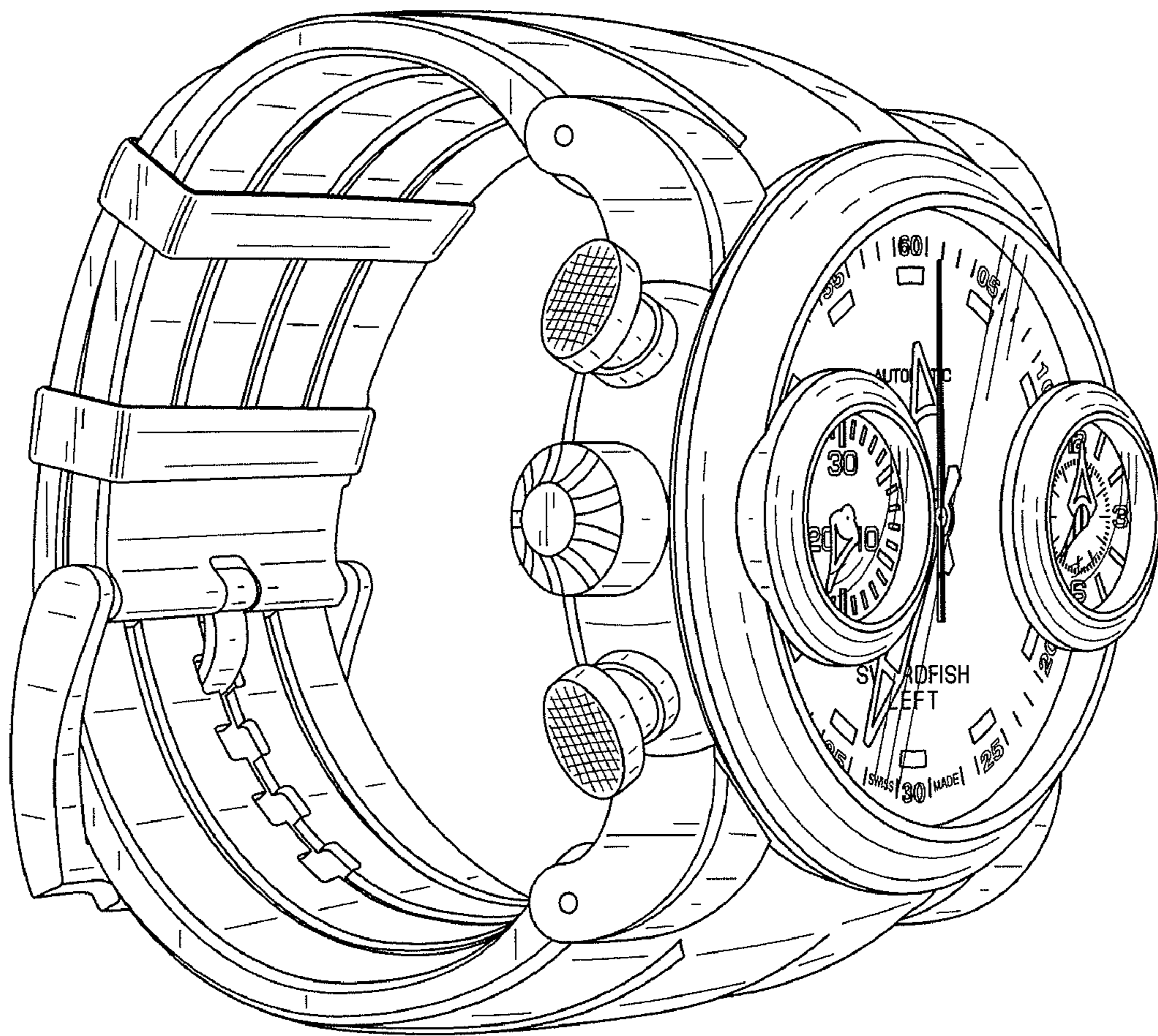


FIG. 1

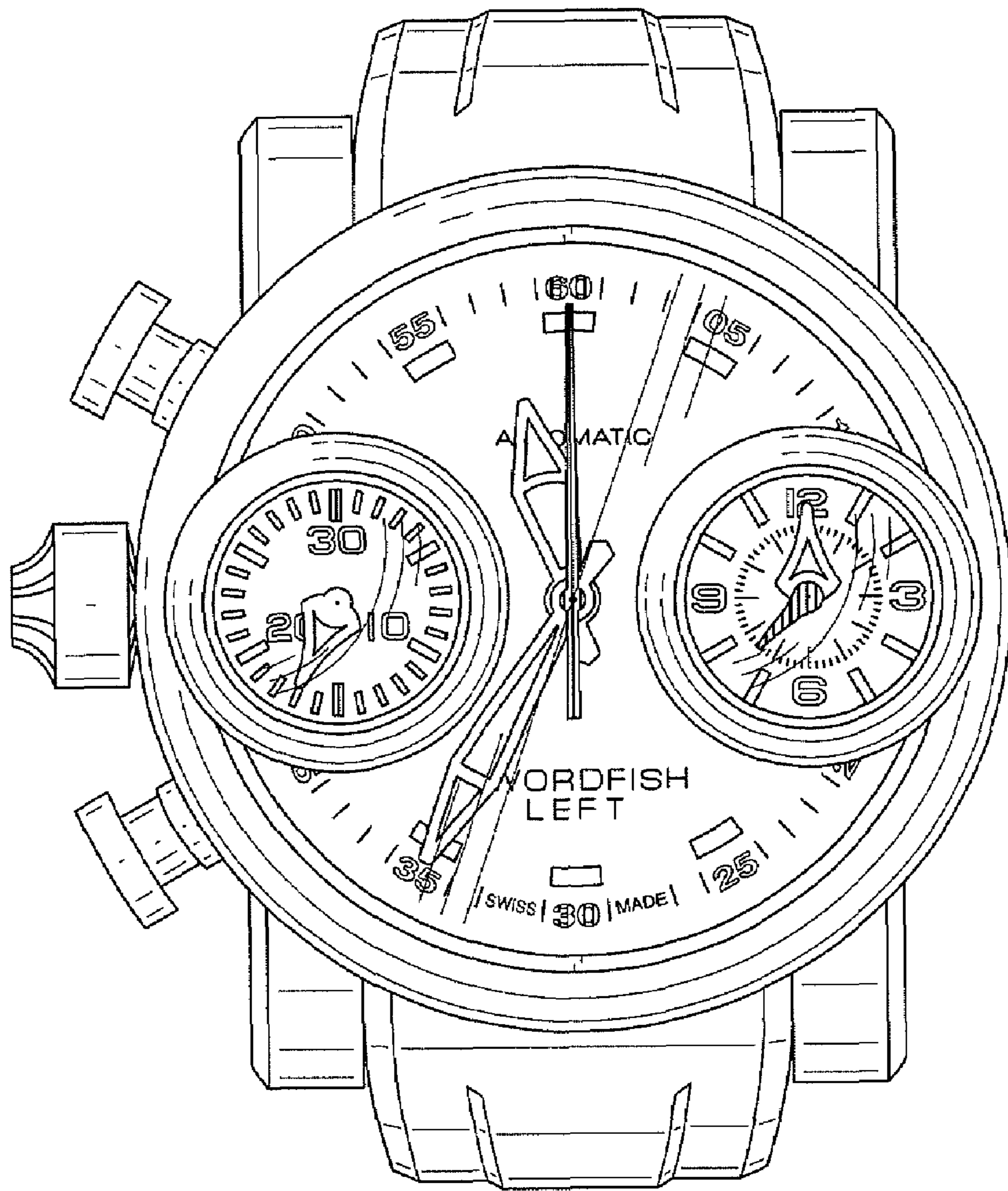


FIG. 2

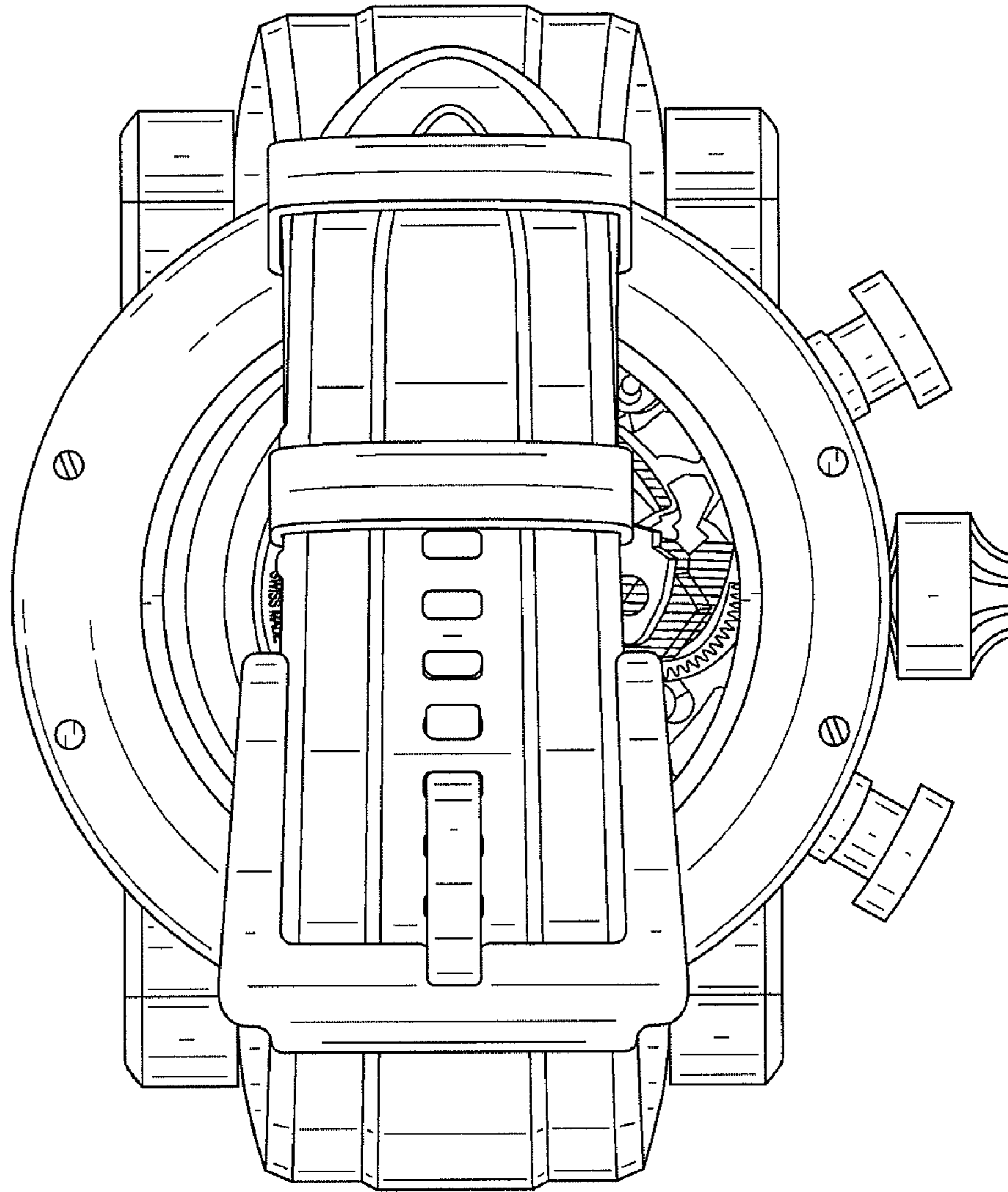


FIG. 3

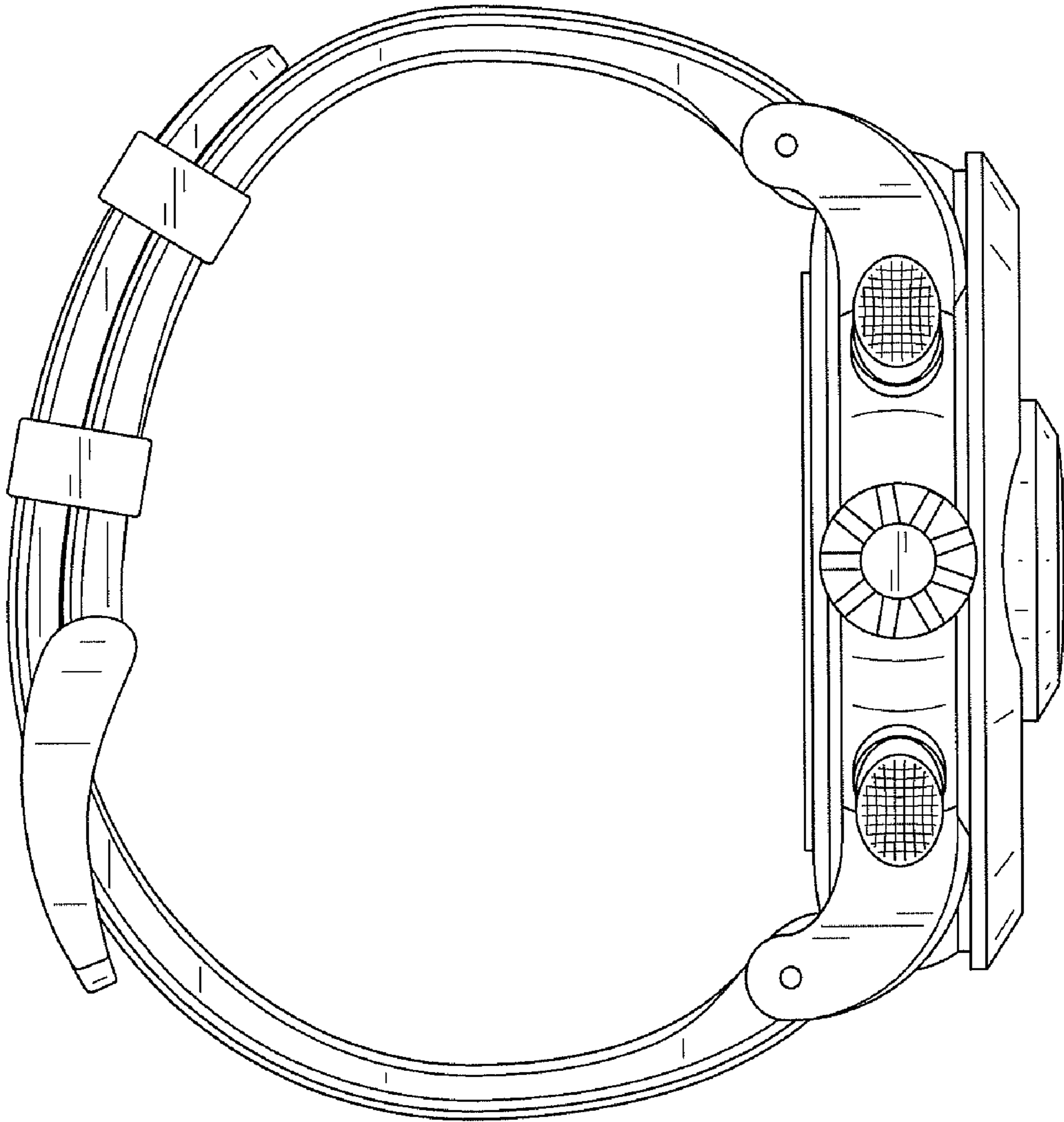


FIG. 4

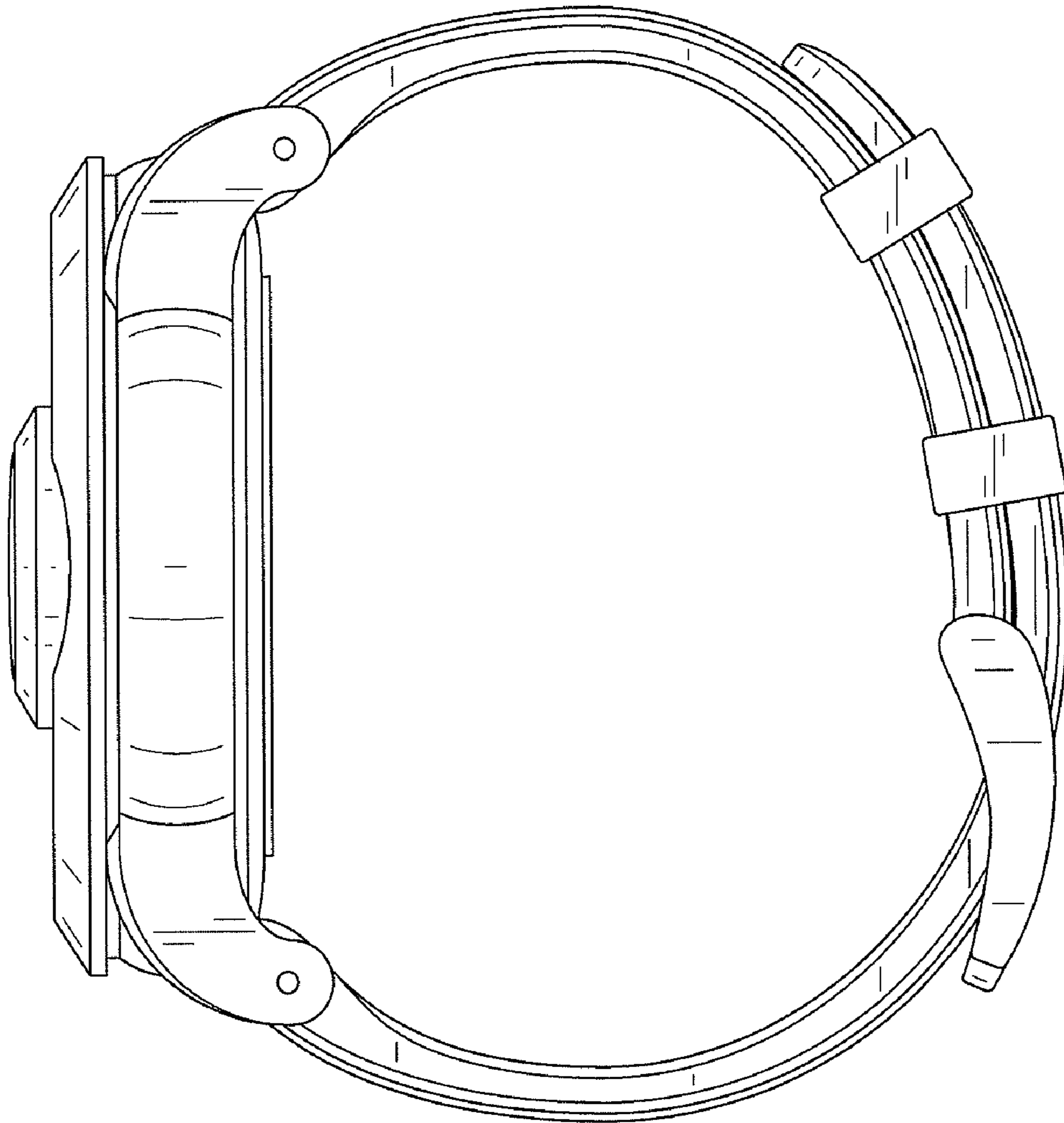


FIG. 5

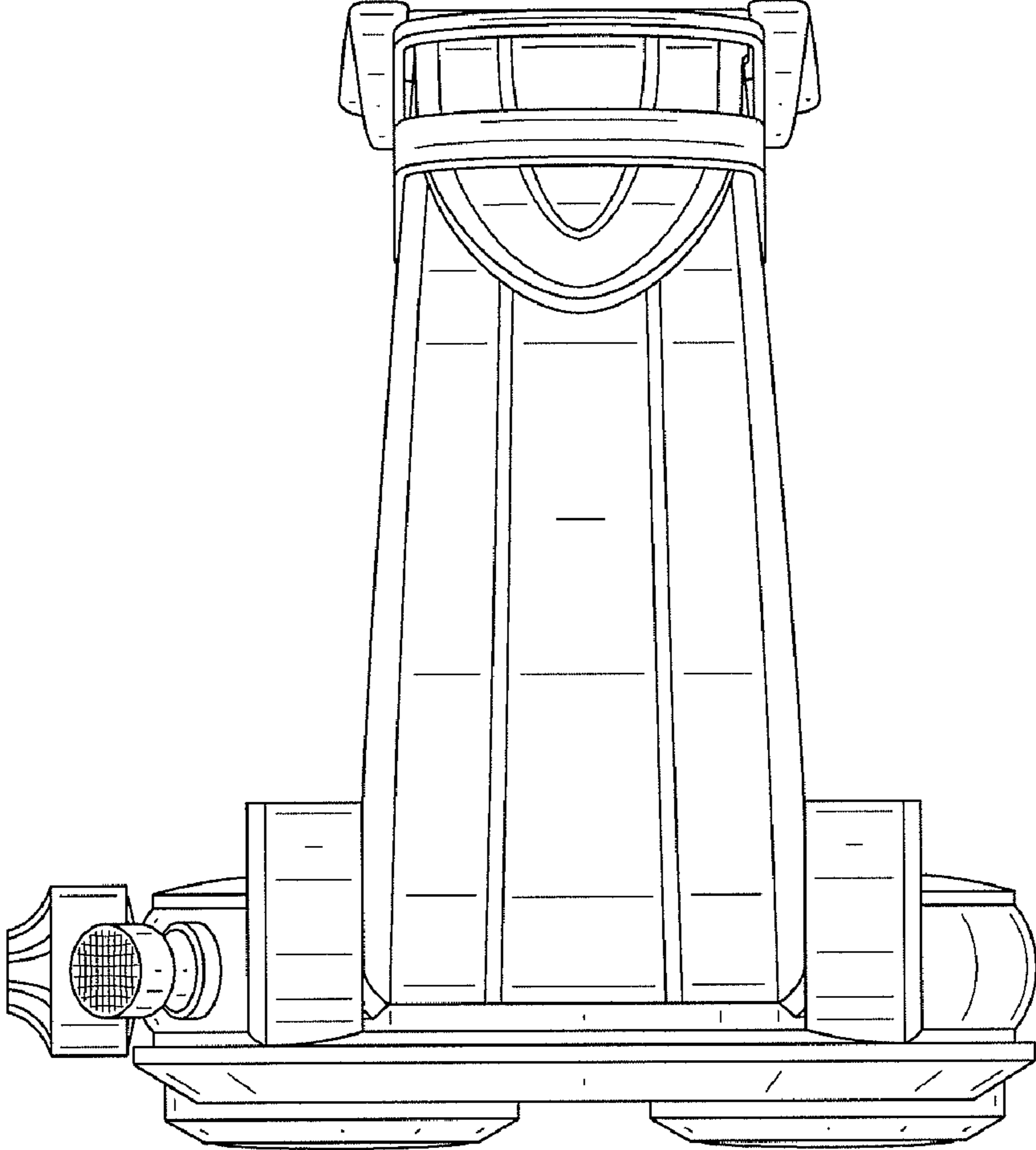


FIG. 6

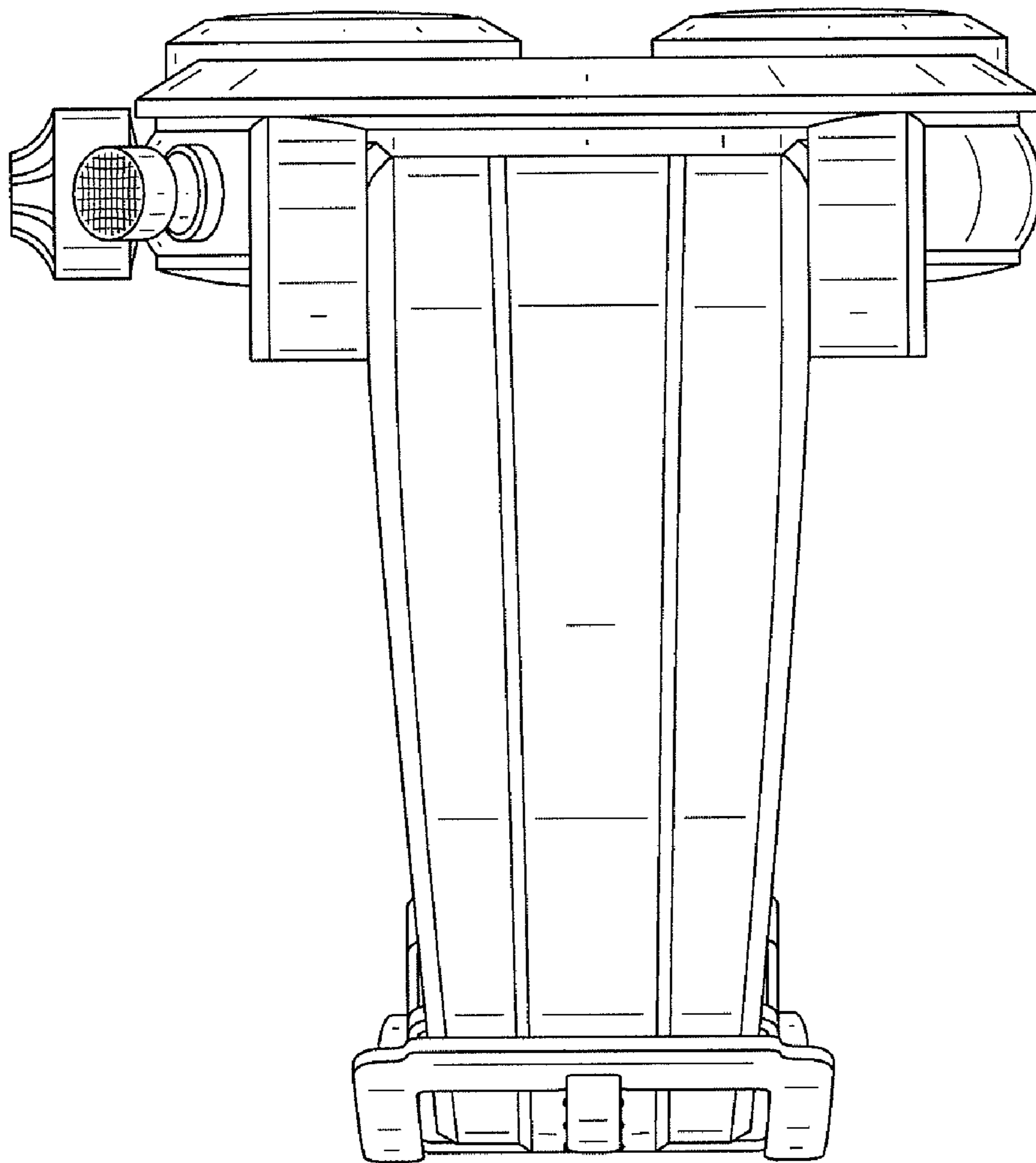


FIG. 7



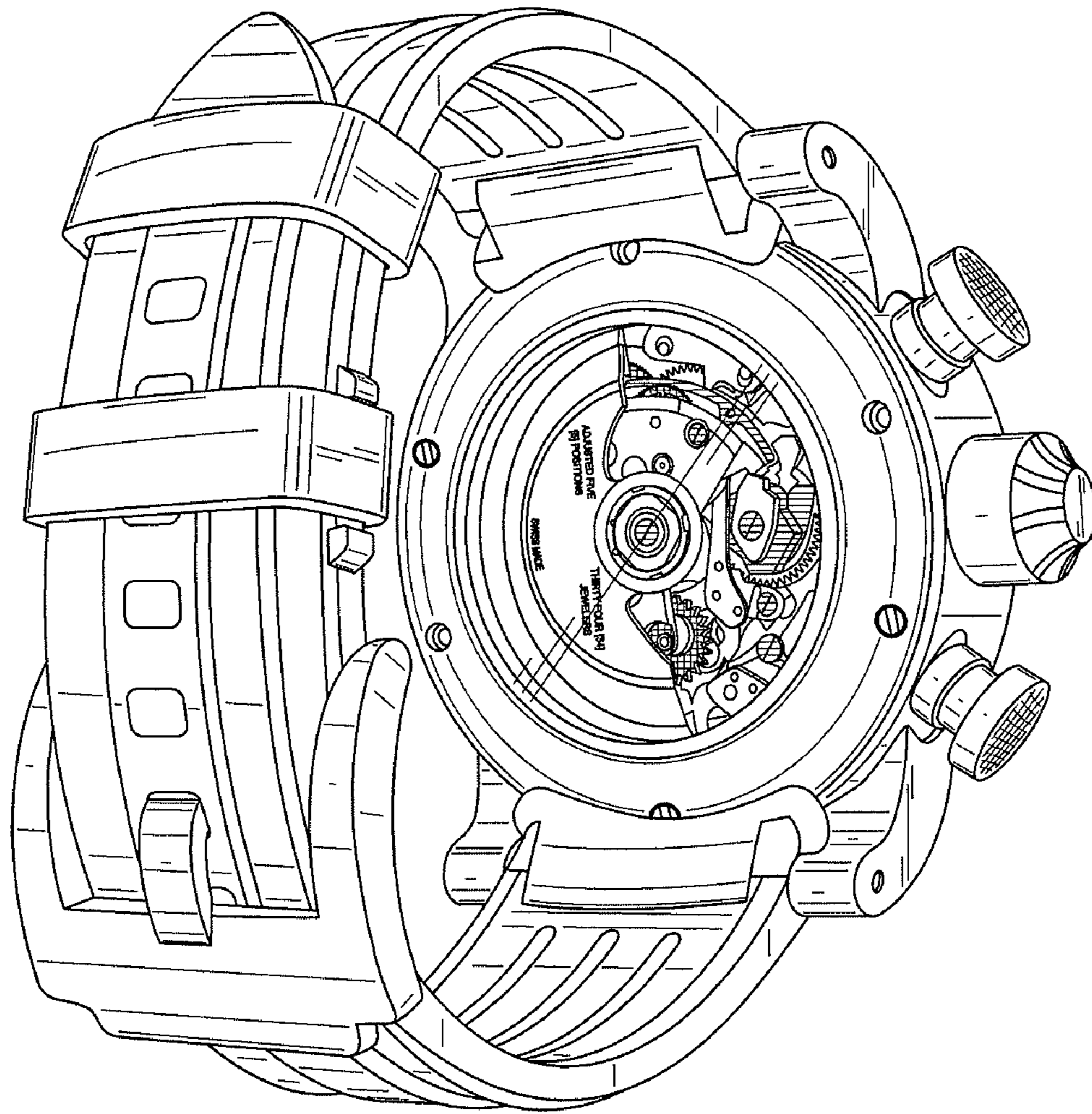


FIG. 8