



US00D612741S

(12) **United States Design Patent**
Miksovsky

(10) **Patent No.:** **US D612,741 S**
(45) **Date of Patent:** **** Mar. 30, 2010**

(54) **DISPENSING CONTAINER**

D543,752 S * 6/2007 Jones, Sr. D6/545
D583,242 S * 12/2008 Adler et al. D9/516

(75) Inventor: **Christopher Alois Miksovsky**, San Francisco, CA (US)

* cited by examiner

(73) Assignee: **HumanGear, Inc.**, San Francisco, CA (US)

Primary Examiner—Sandra Morris

(**) Term: **14 Years**

(57) **CLAIM**

(21) Appl. No.: **29/315,531**

The ornamental design for a dispensing container, as shown and described.

(22) Filed: **Jul. 1, 2009**

DESCRIPTION

(51) **LOC (9) Cl.** **09-01**

FIG. 1 is a front elevational view of a dispensing container according to the present invention;

(52) **U.S. Cl.** **D9/652**; D9/521; D6/542

FIG. 2 is a top plan view thereof;

(58) **Field of Classification Search** D6/542, D6/545; D9/600, 652, 667, 695–697, 702, D9/707–711, 723, 729–733, 516, 520–521, D9/547, 551; 206/457, 822; 215/230, 400; 220/890

FIG. 3 is a bottom plan view thereof;

FIG. 4 is a back elevational view thereof;

FIG. 5 is a first side elevational view thereof;

FIG. 6 is a second side elevational view thereof;

See application file for complete search history.

FIG. 7 is a cross-sectional view taken along line 7—7 of FIG. 3; and,

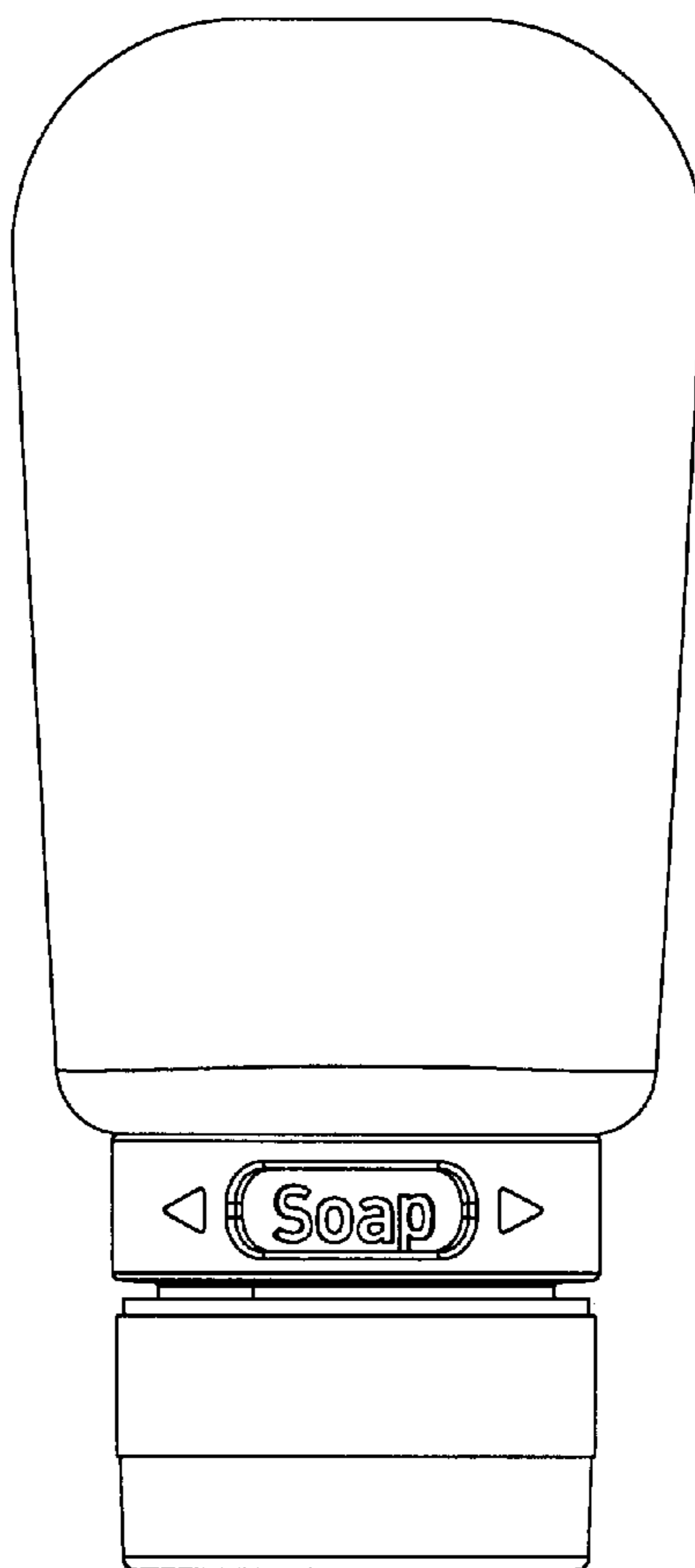
FIG. 8 is a cross-sectional view taken along line 8—8 of FIG. 3.

(56) **References Cited**

U.S. PATENT DOCUMENTS

D353,325 S * 12/1994 Chura et al. D9/695
D427,073 S * 6/2000 Gaffney et al. D9/520
D542,661 S * 5/2007 Adler et al. D9/521

1 Claim, 8 Drawing Sheets



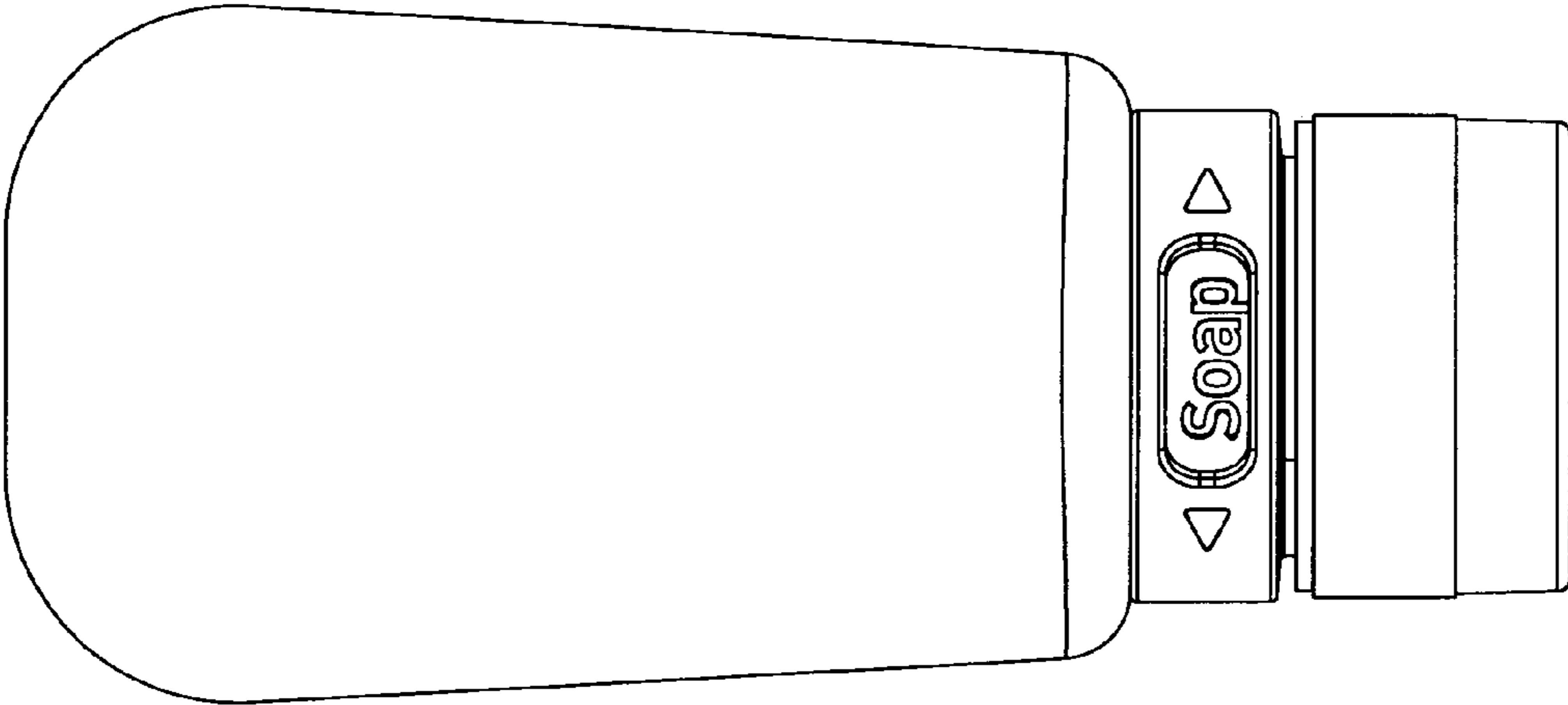


FIG. 1

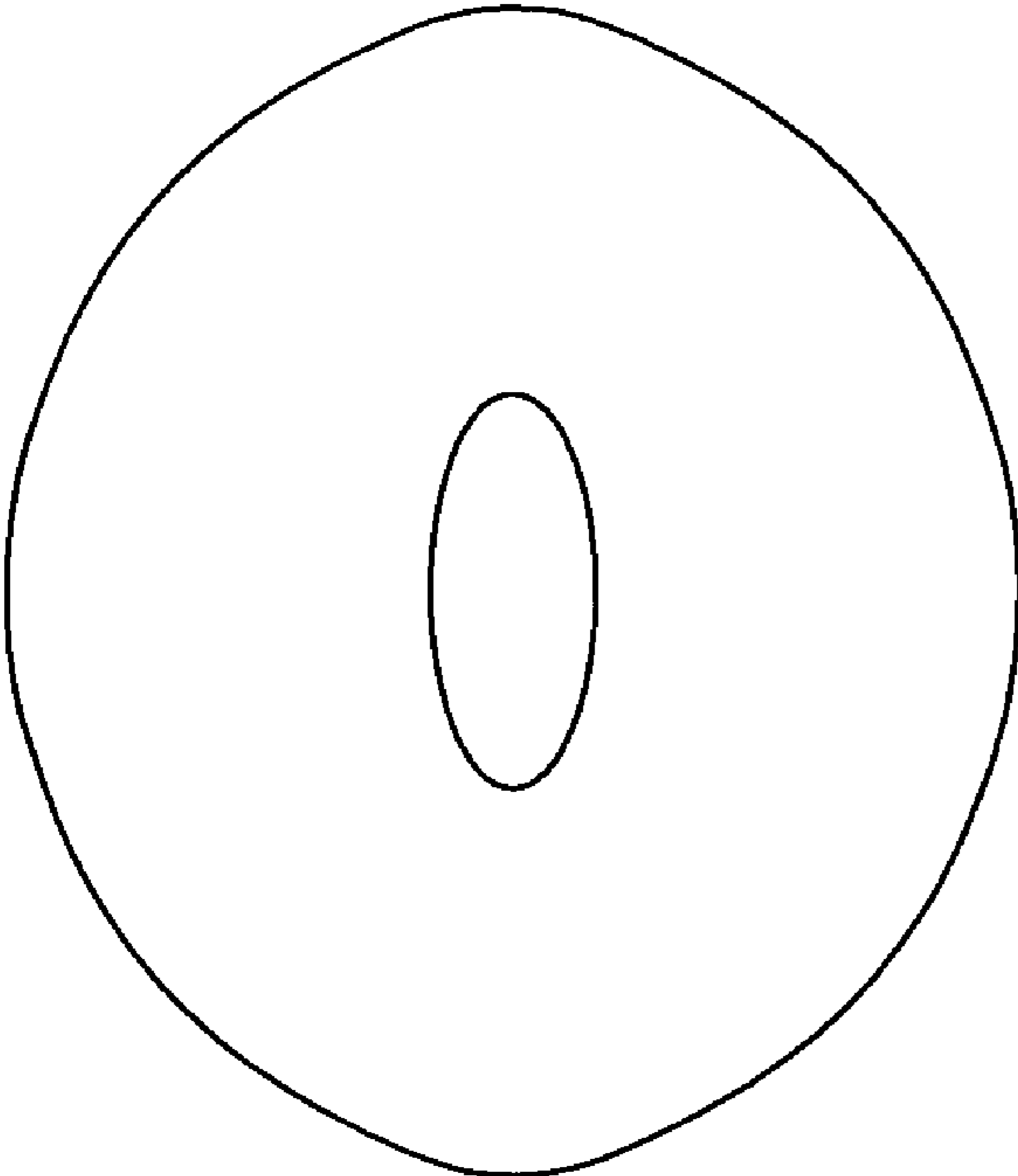


FIG. 2

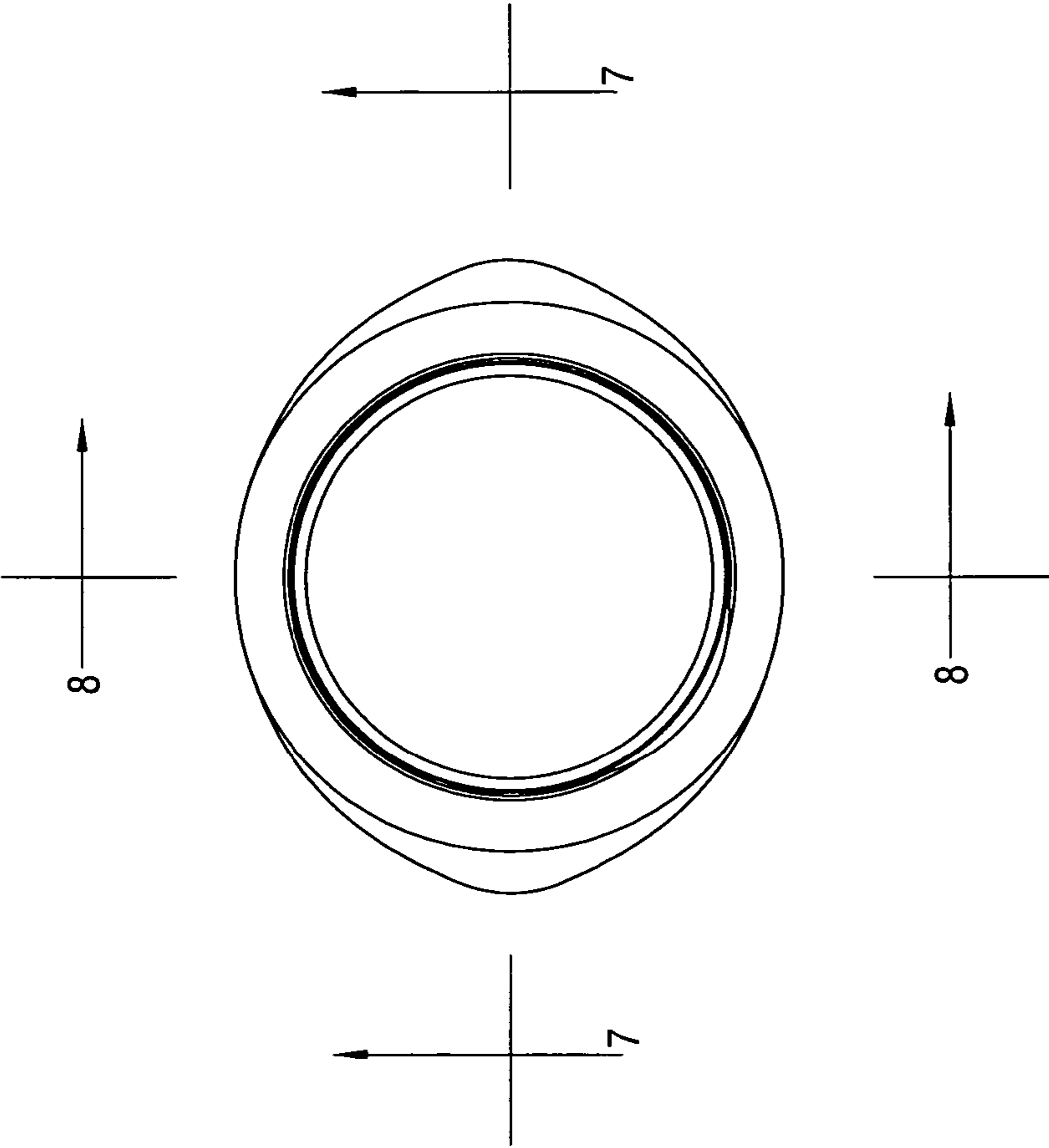


FIG. 3

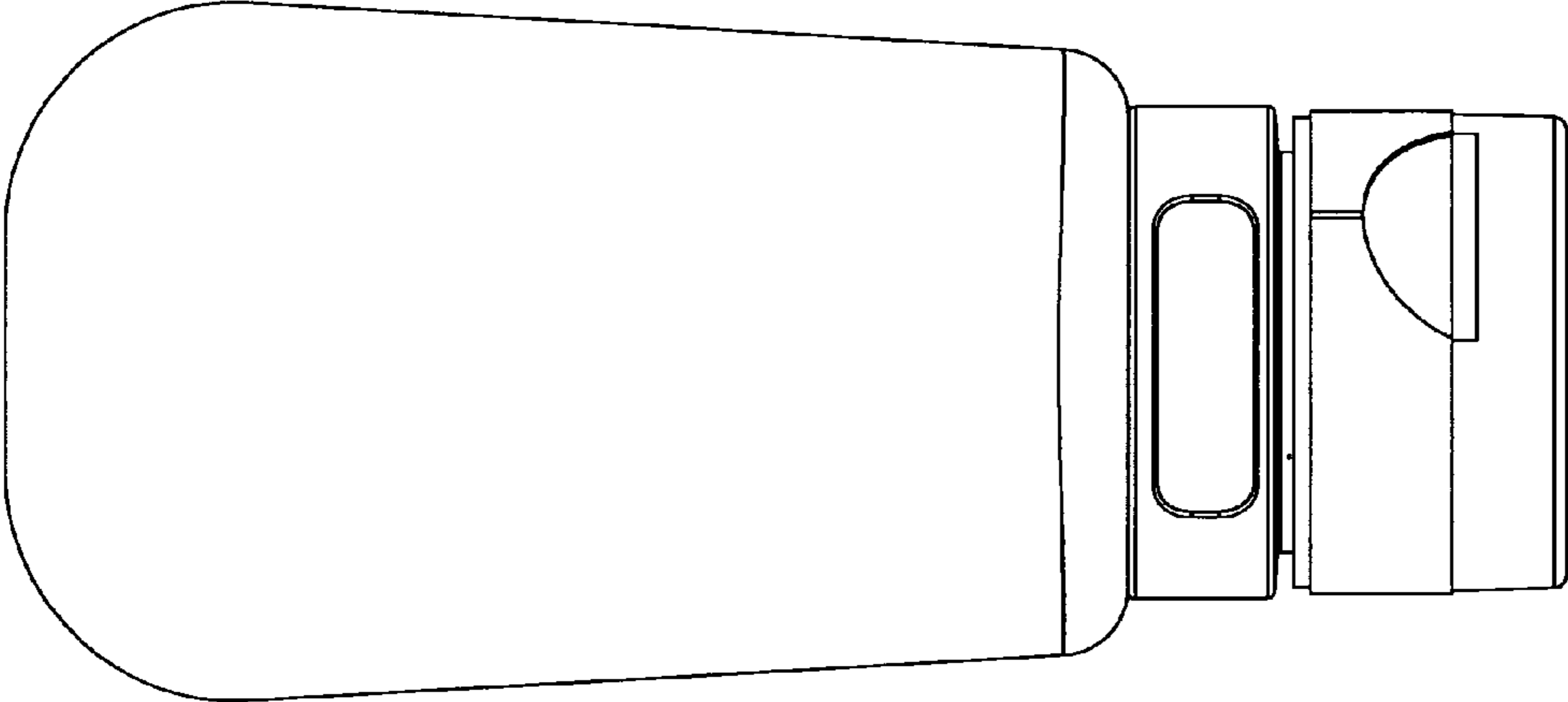


FIG. 4

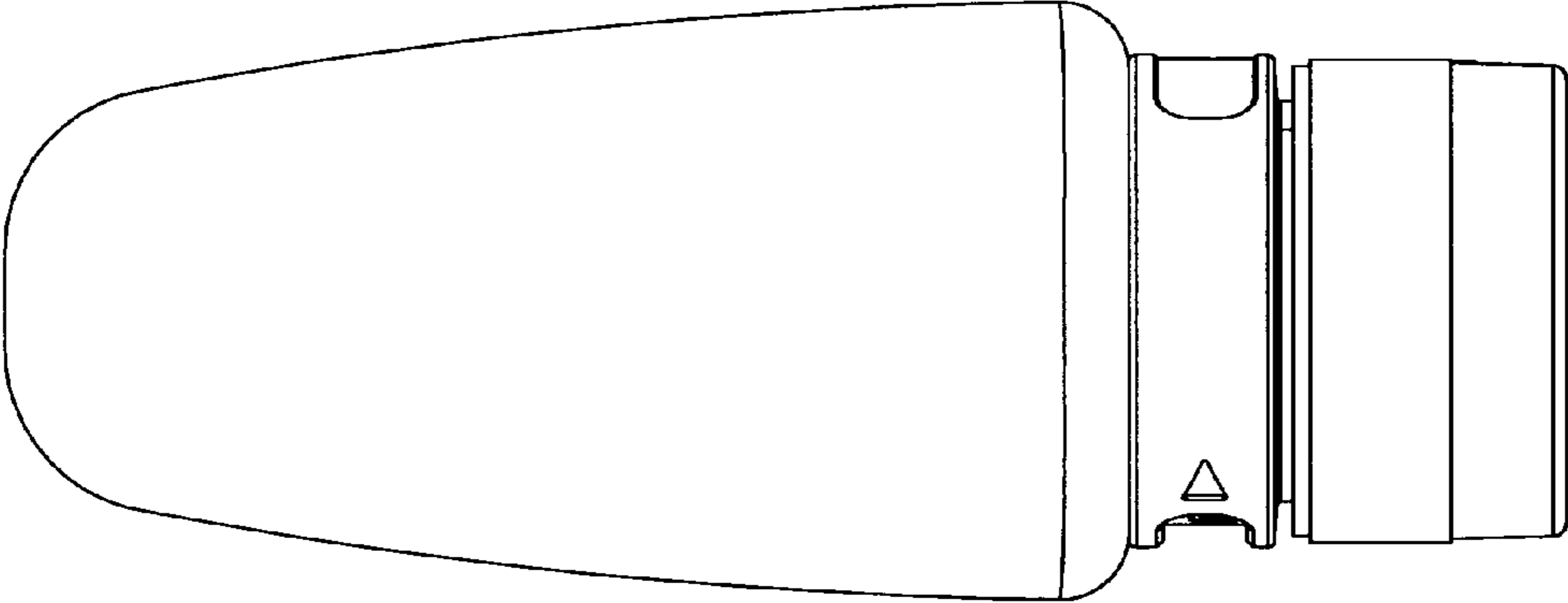


FIG. 5

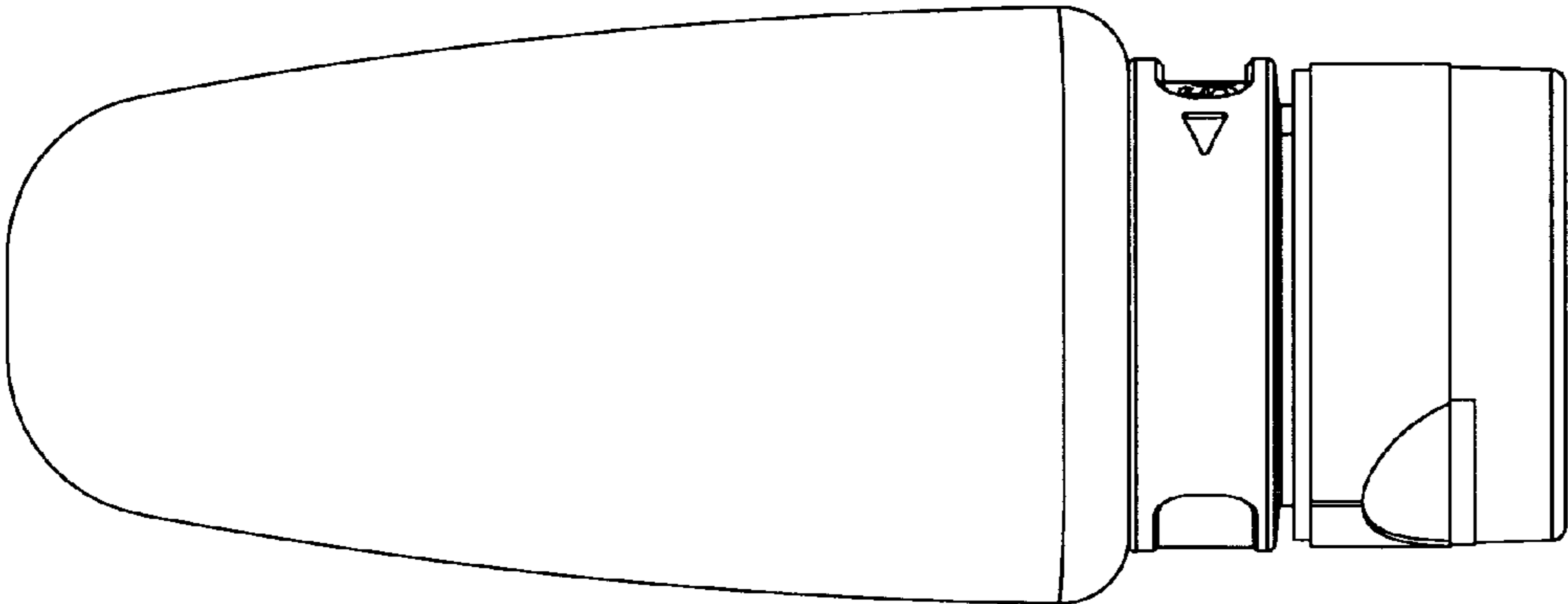


FIG. 6

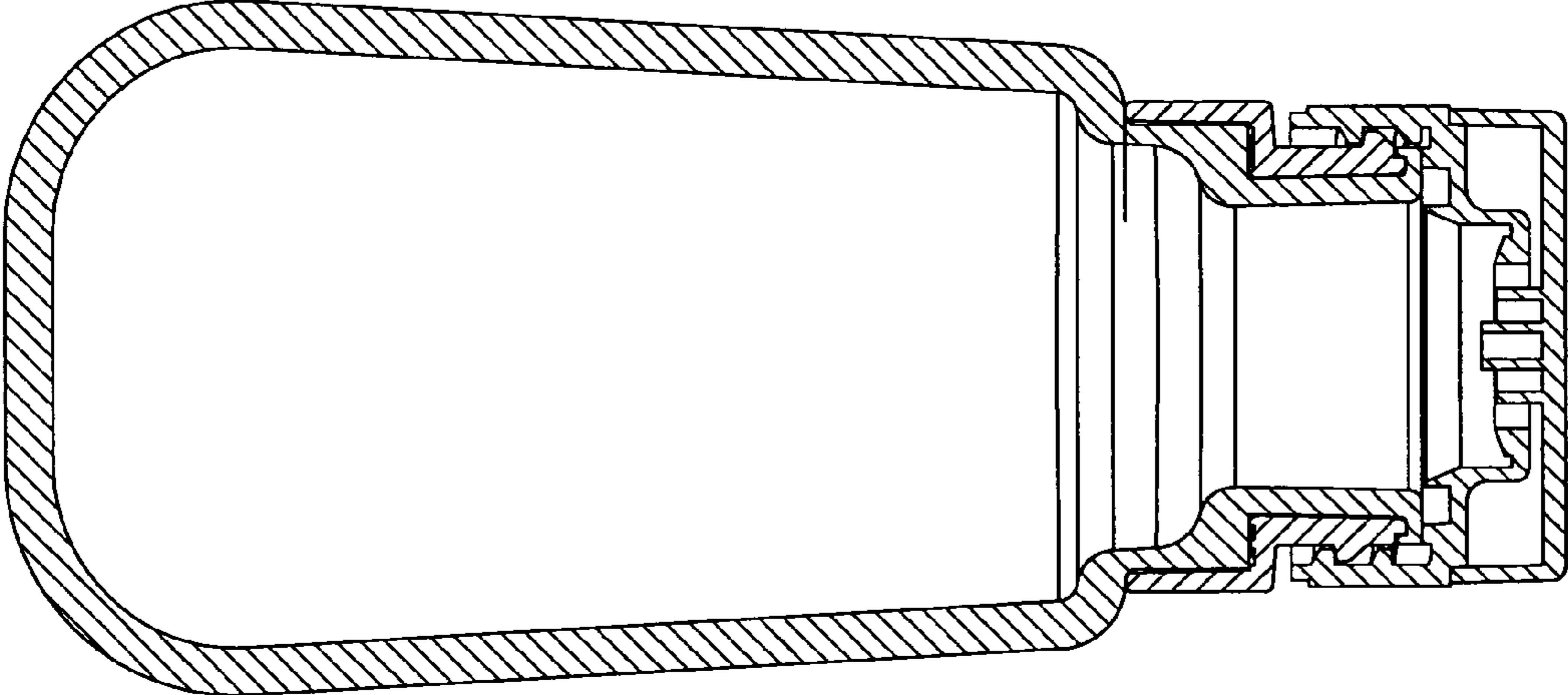


FIG. 7

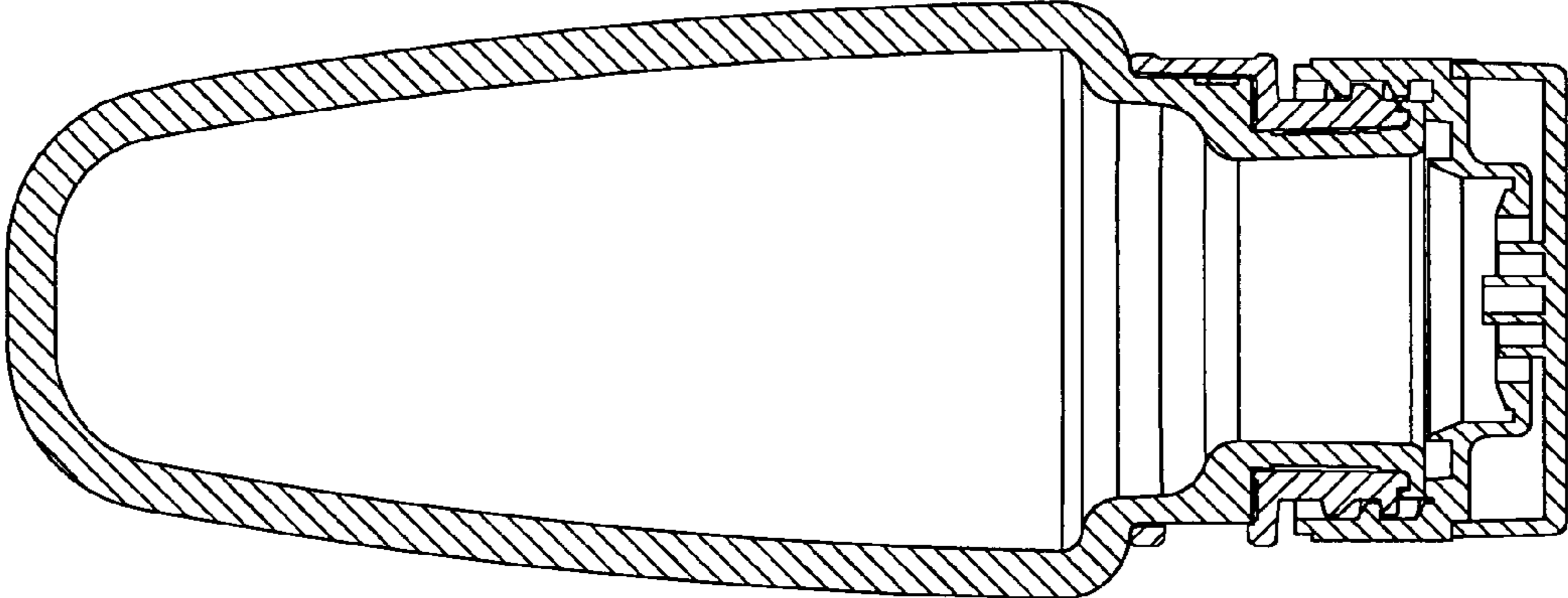


FIG. 8