



US00D612740S

(12) **United States Design Patent**
Leone

(10) **Patent No.:** **US D612,740 S**
(45) **Date of Patent:** **** Mar. 30, 2010**

- (54) **JAR**
- (76) Inventor: **Peter Leone**, 737 Eagle Farm Rd., Villanova, PA (US) 19085
- (**) Term: **14 Years**
- (21) Appl. No.: **29/330,437**
- (22) Filed: **Jan. 7, 2009**
- (51) **LOC (9) Cl.** **09-01**
- (52) **U.S. Cl.** **D9/553; D9/500; D9/520; D9/574**
- (58) **Field of Classification Search** D9/434, D9/435, 444, 500, 502–504, 516, 519, 520, D9/529, 537, 553, 558, 574; 215/381–385; 220/662, 669
See application file for complete search history.

(56) **References Cited**

U.S. PATENT DOCUMENTS

D86,408 S *	3/1932	Piazzoli	D9/546
D92,424 S *	6/1934	Piazzoli	D9/559
D217,847 S *	6/1970	Jenkins	D9/500
D238,553 S *	1/1976	Edwards	D9/551
D238,656 S *	2/1976	Marco	D9/538
D241,011 S *	8/1976	Pettengill	D9/500
D249,121 S *	8/1978	Strand	D9/556
D253,934 S *	1/1980	Talis	D9/500
D446,729 S *	8/2001	Renella et al.	D9/559
D542,136 S *	5/2007	Lilico	D9/520
D569,734 S *	5/2008	Imperato et al.	D9/560

* cited by examiner

Primary Examiner—Stella M Reid
Assistant Examiner—Keli L Hill
(74) *Attorney, Agent, or Firm*—Montgomery, McCracken, Walker & Rhoads, LLP; Robert R. Axenfeld

(57) **CLAIM**

The ornamental design for a jar, as shown and described.

DESCRIPTION

FIG. 1 is a top perspective view of a first embodiment of a transparent jar, embodying my new design;
 FIG. 2 is a bottom-perspective view thereof;
 FIG. 3 is a front-elevational view thereof;
 FIG. 4 is right-side-elevational view thereof;
 FIG. 5 is a top-plan view thereof;
 FIG. 6 is a bottom-plan view thereof;
 FIG. 7 is a top perspective view of a second embodiment of a non-transparent jar, embodying my new design;
 FIG. 8 is a bottom-perspective view thereof;
 FIG. 9 is a front-elevational view thereof;
 FIG. 10 is right-side-elevational view thereof;
 FIG. 11 is a top-plan view thereof; and,
 FIG. 12 is a bottom-plan view thereof.

In FIGS. 1–6, the oblique-shaded lines shown in the drawings represent that the jar is transparent.

1 Claim, 12 Drawing Sheets



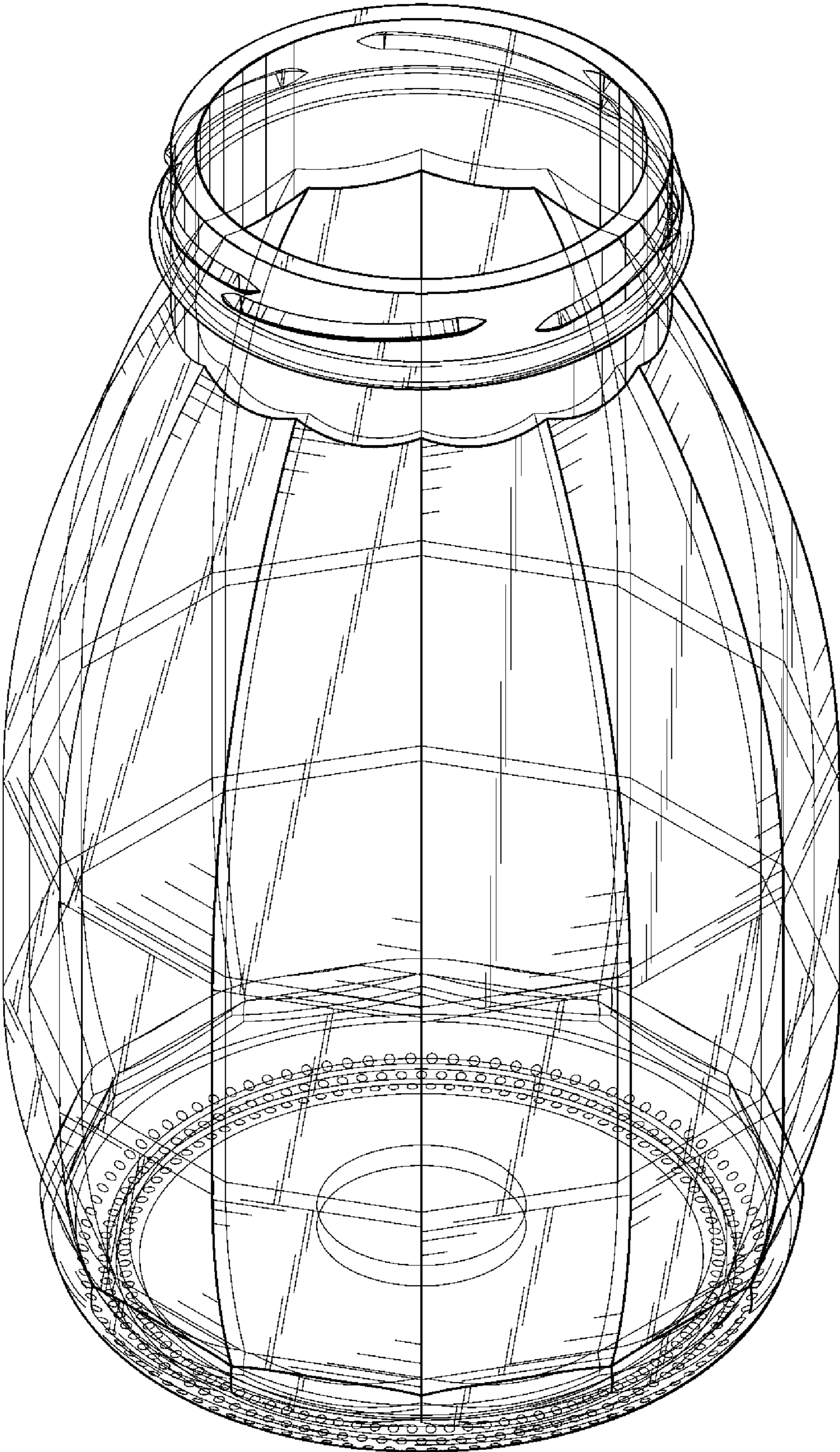


FIG. 1

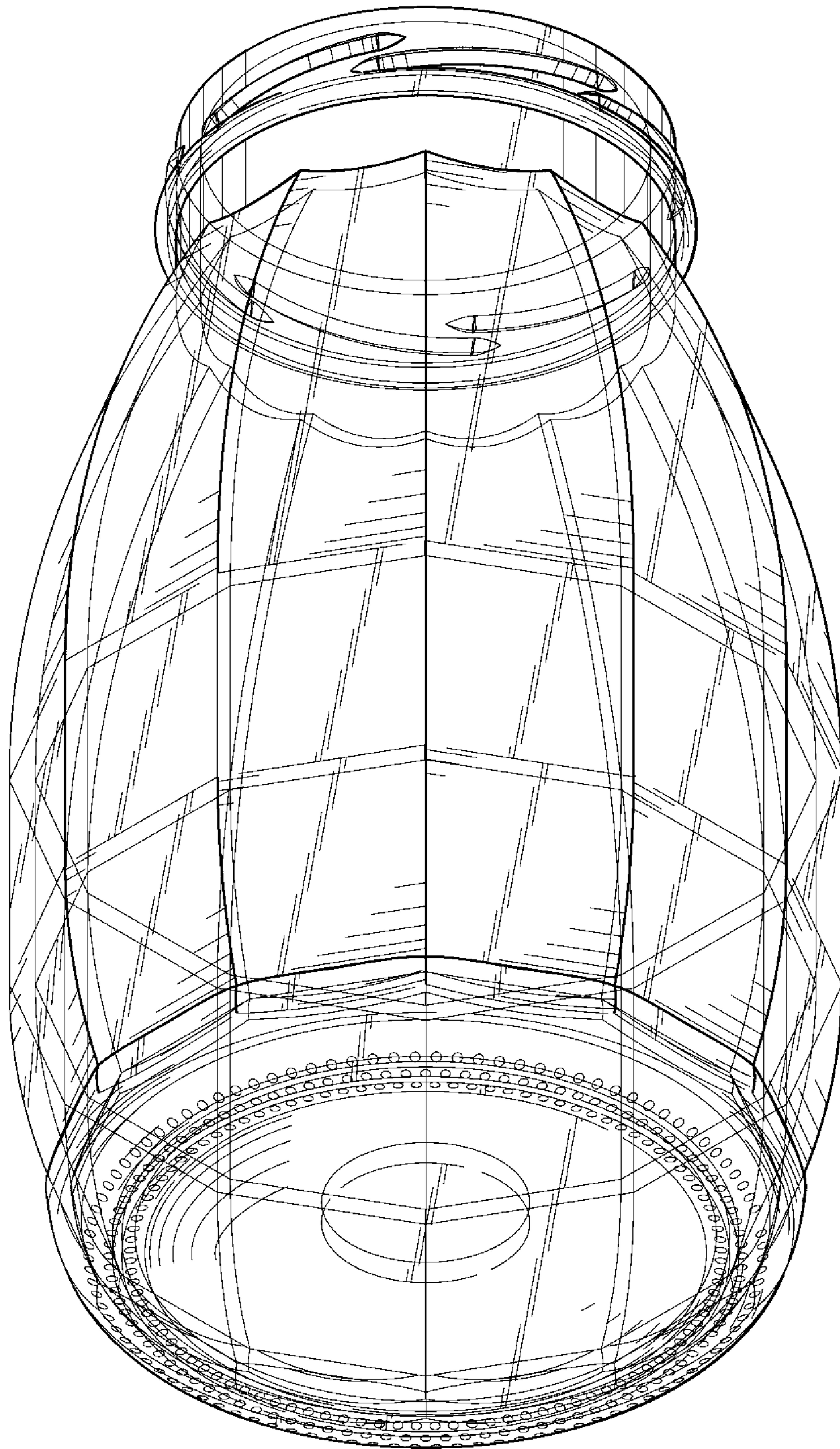


FIG. 2

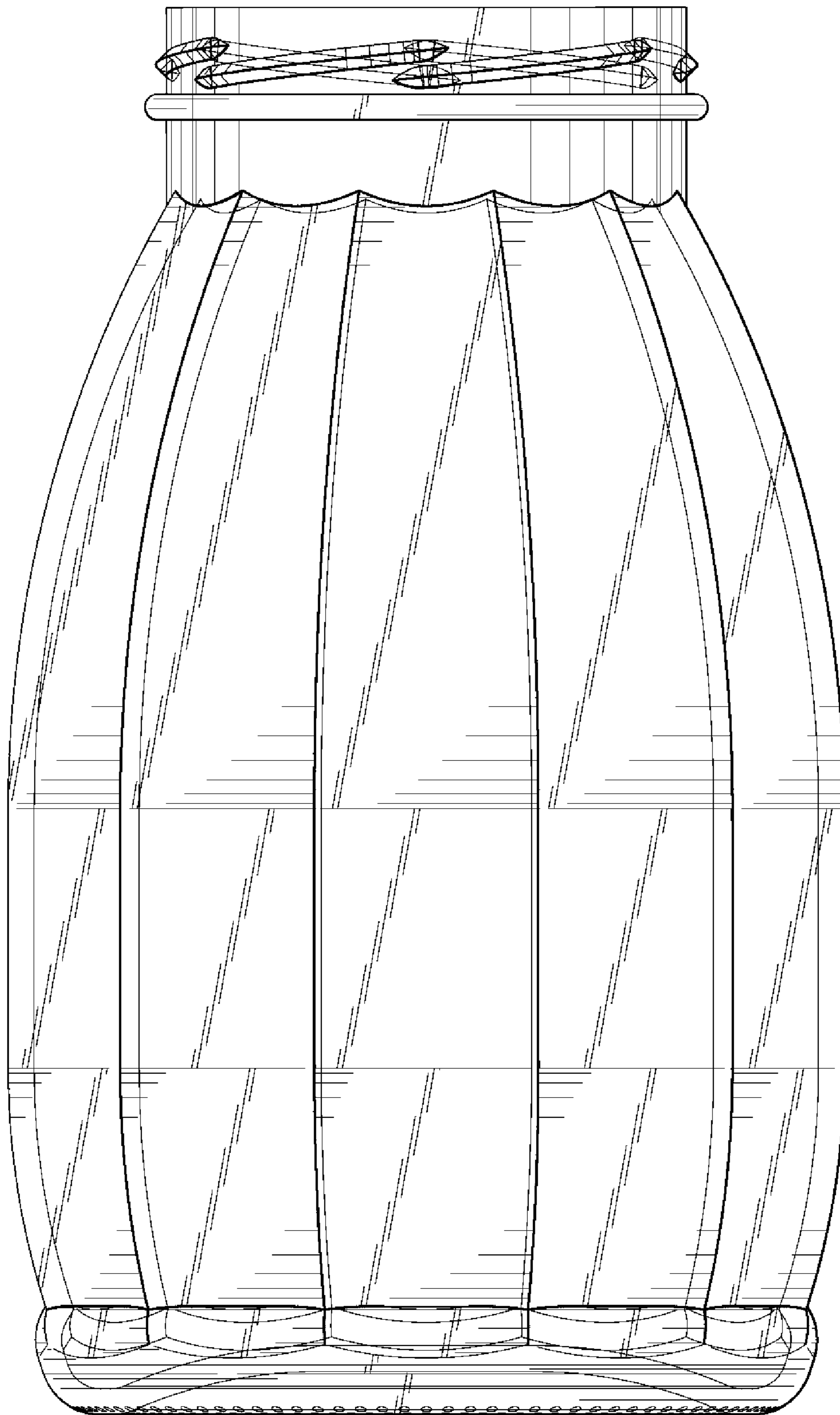


FIG. 3

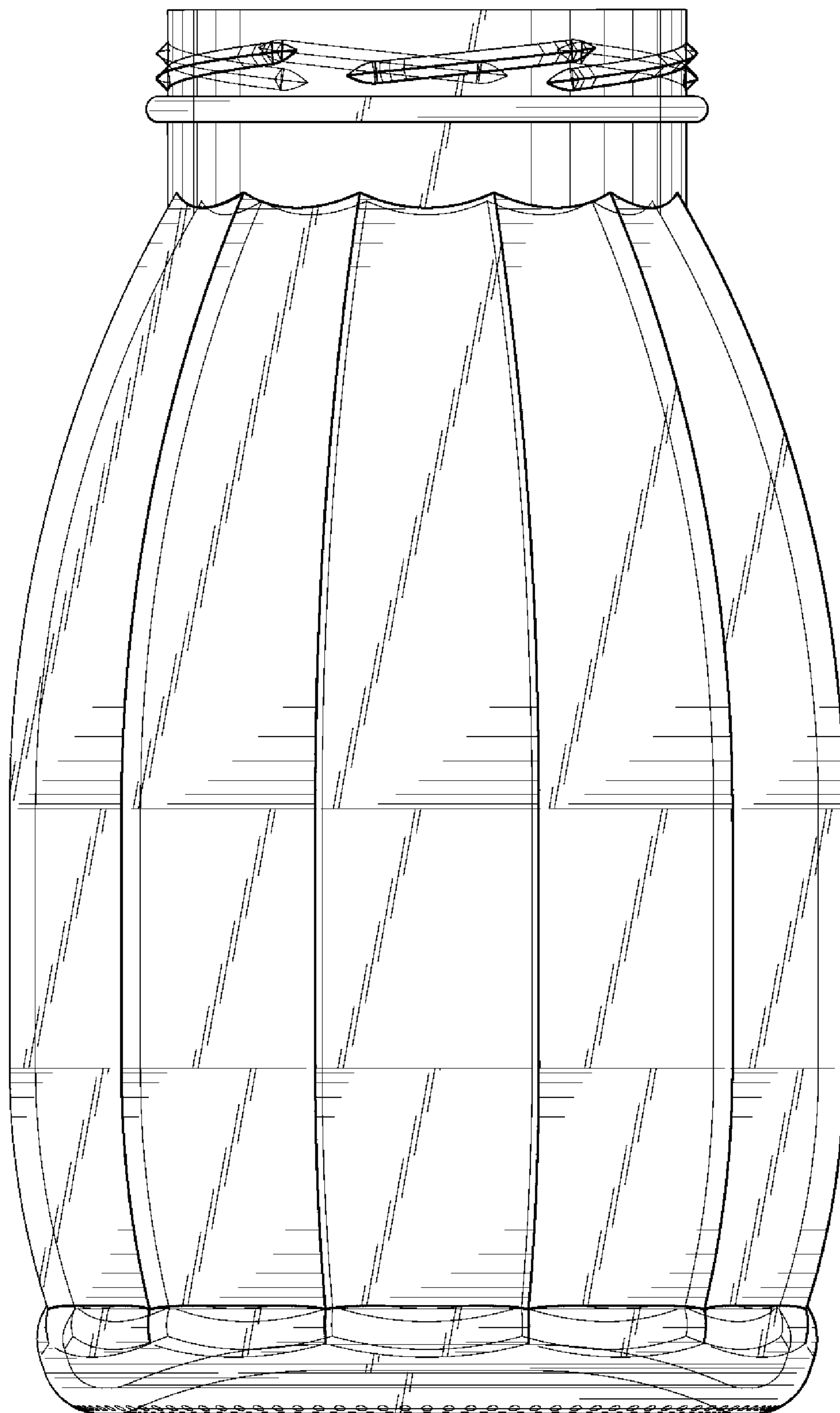


FIG. 4

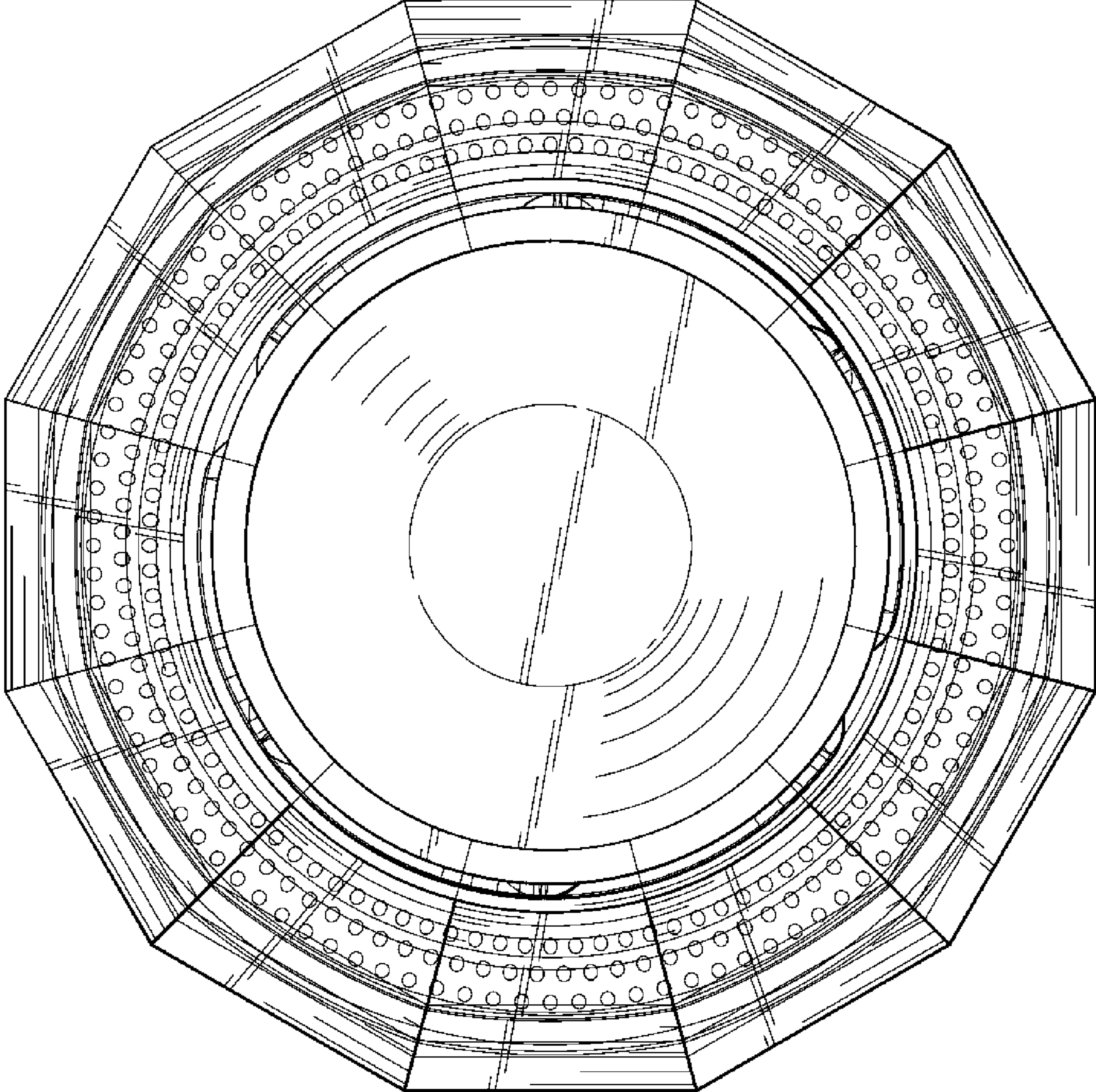


FIG. 5

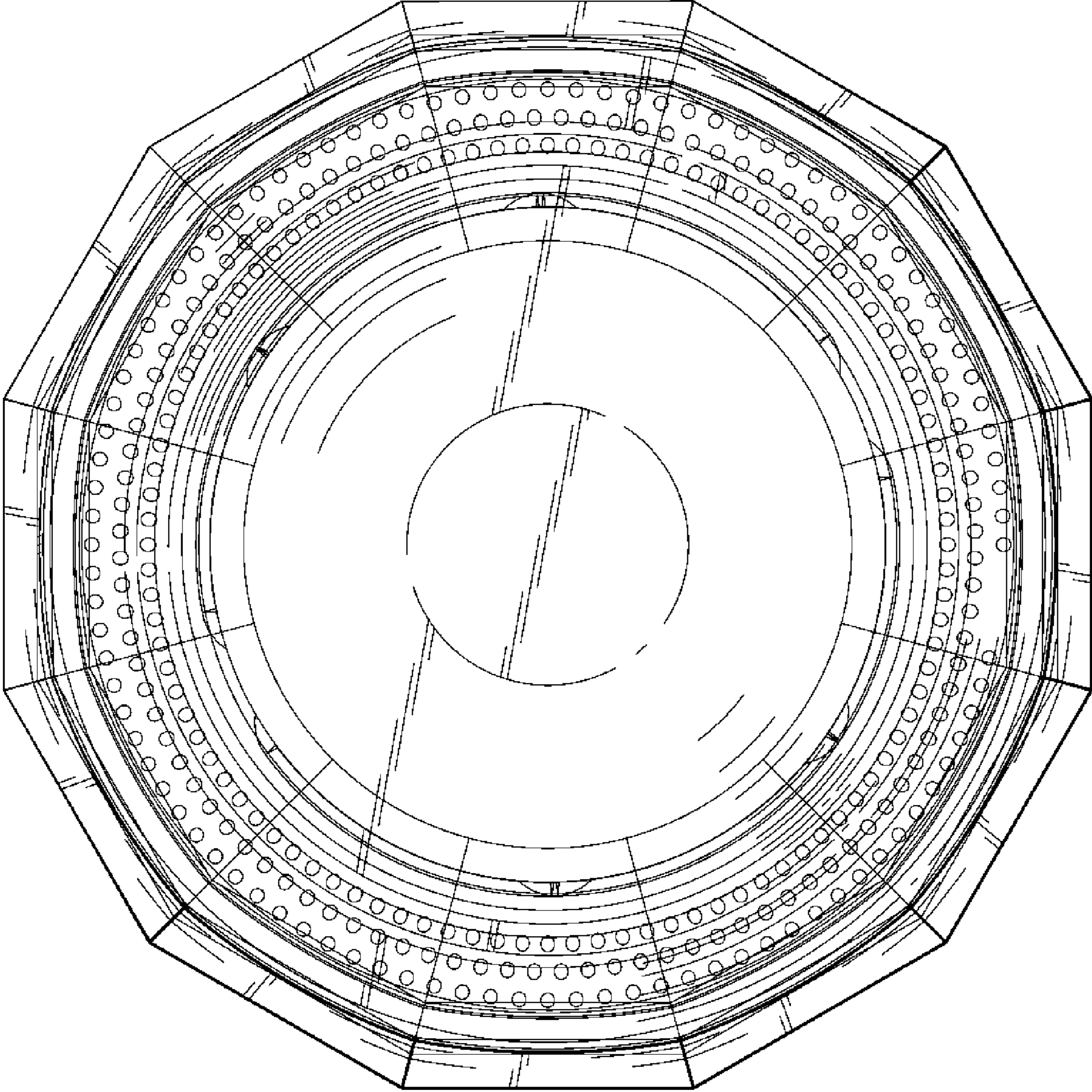


FIG. 6

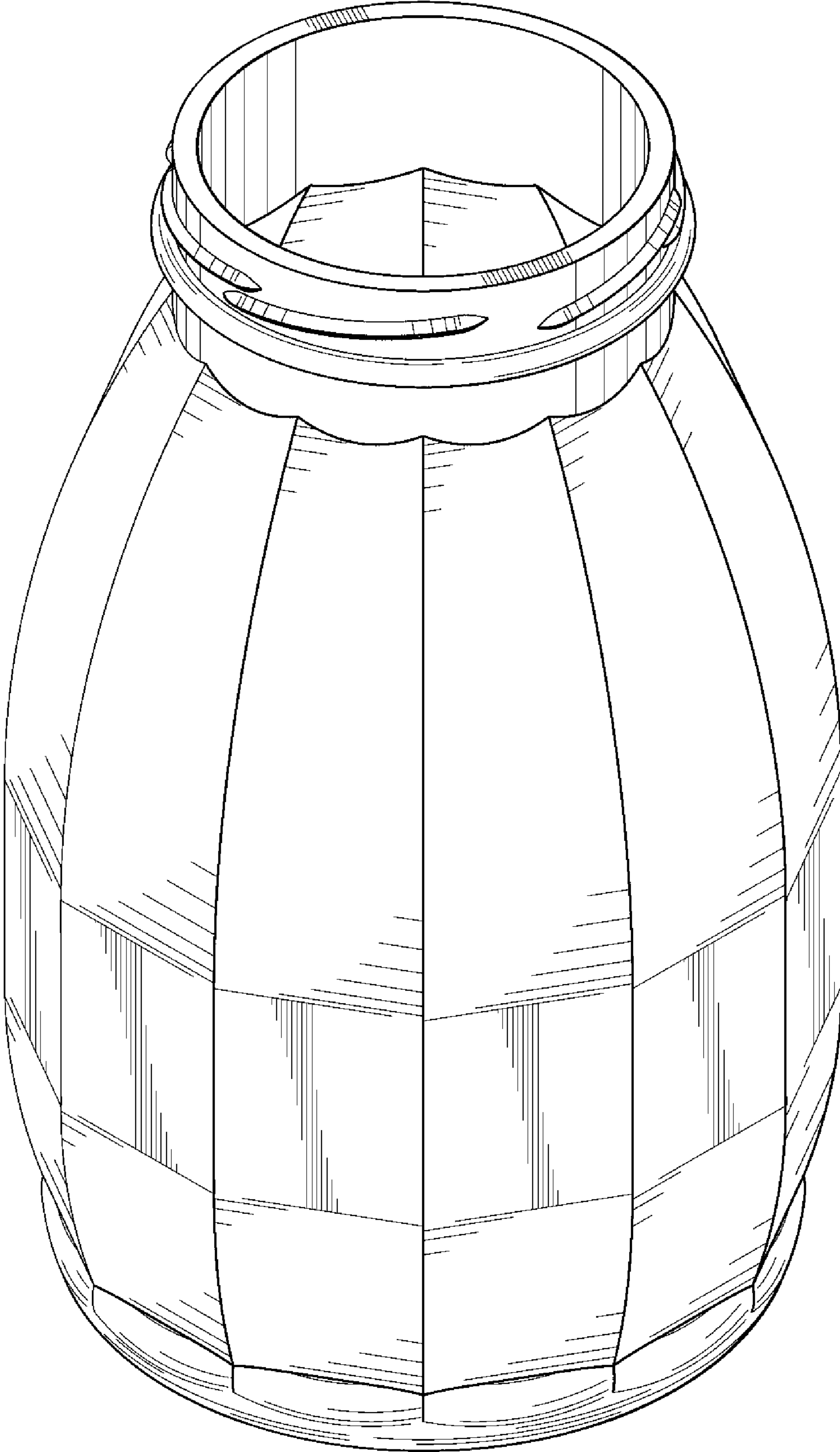


FIG. 7

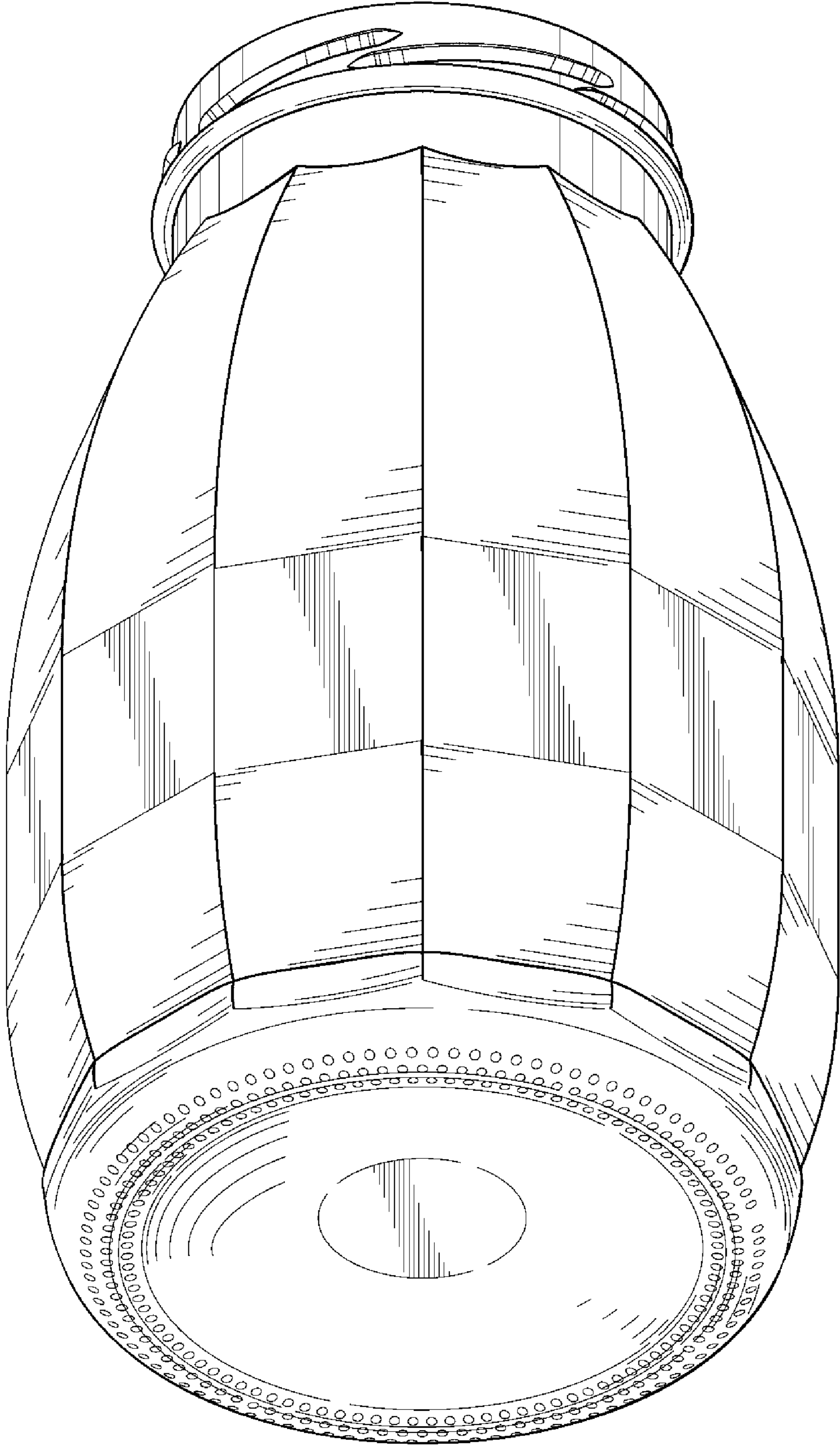


FIG. 8

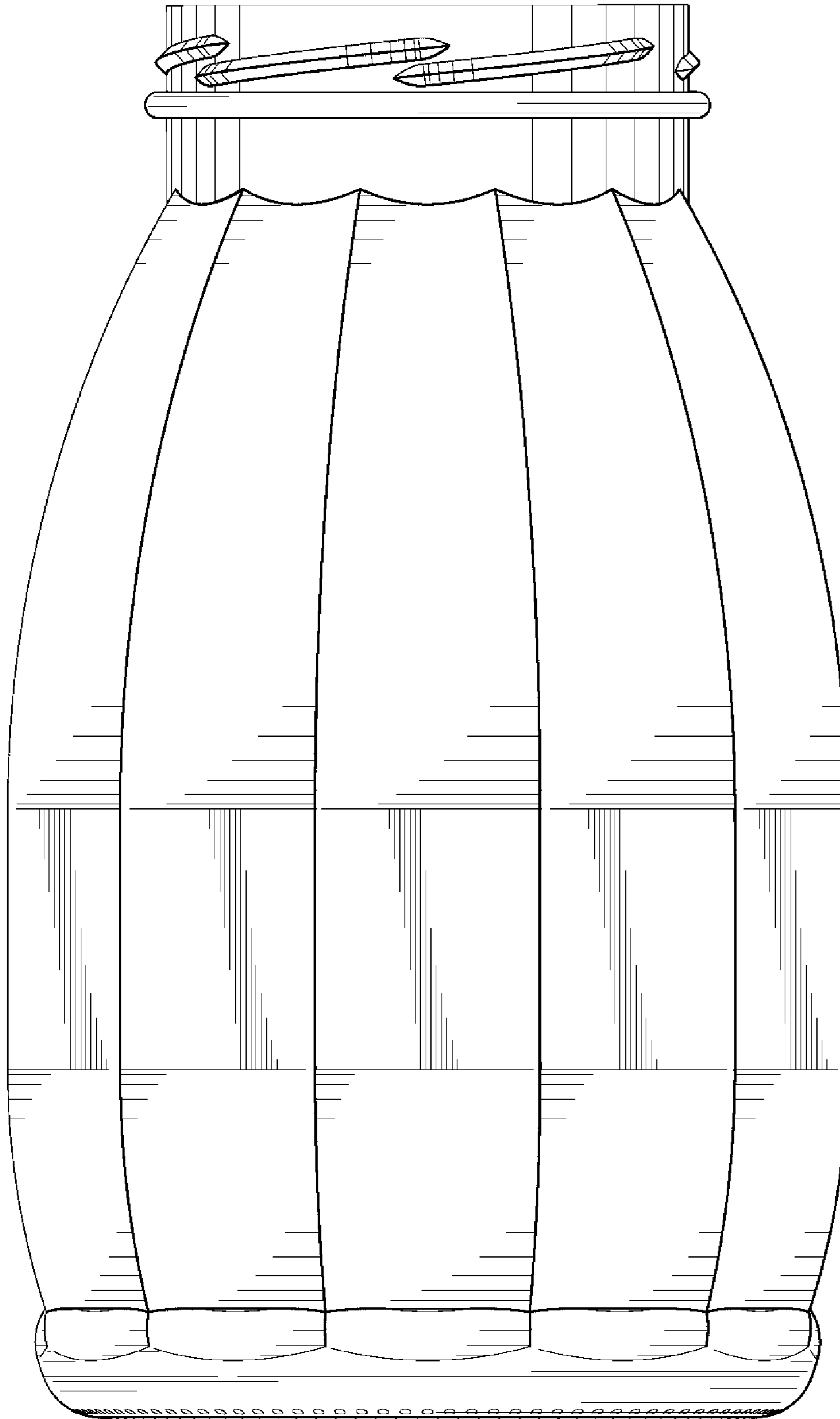


FIG. 9

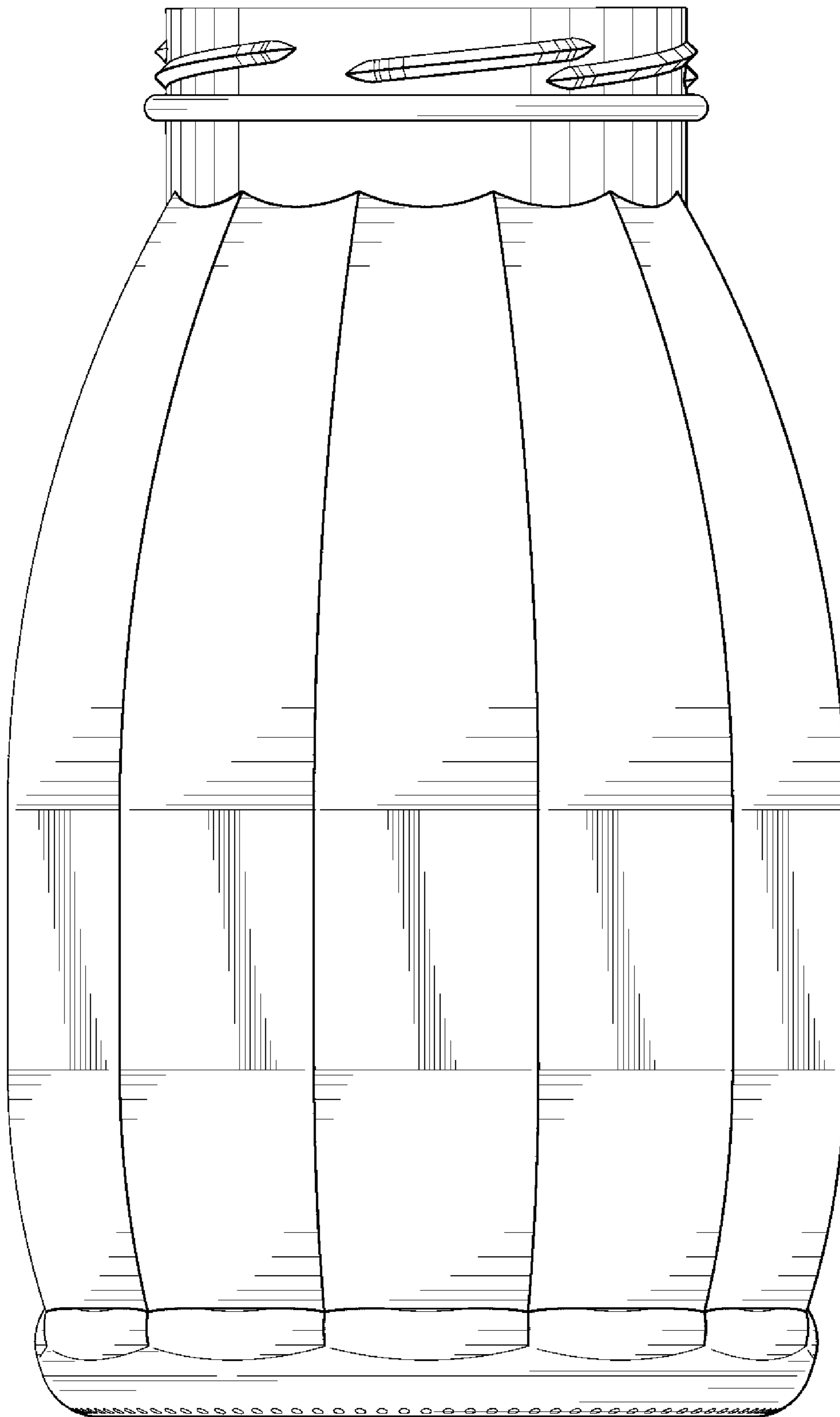


FIG. 10

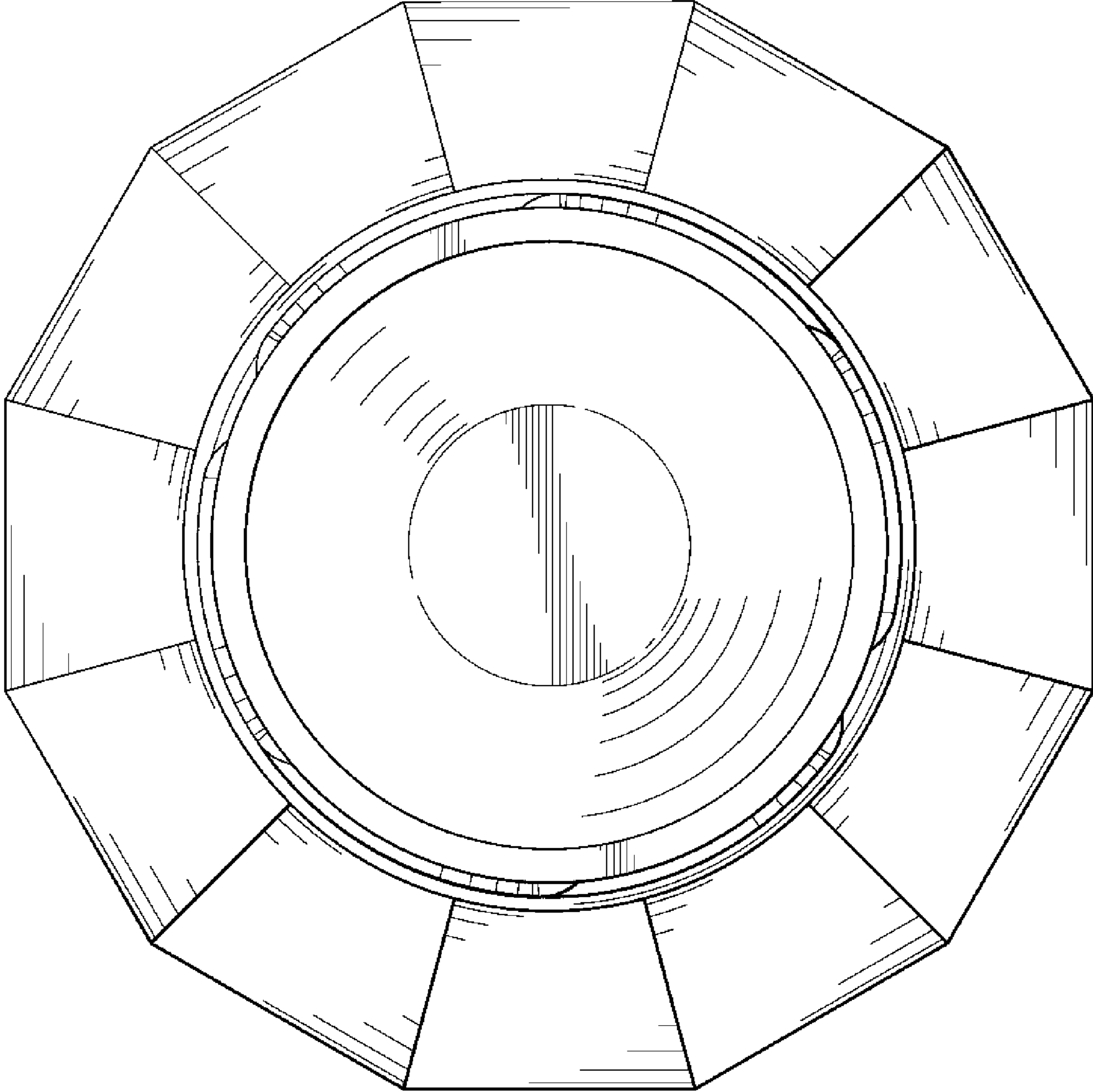


FIG. 11

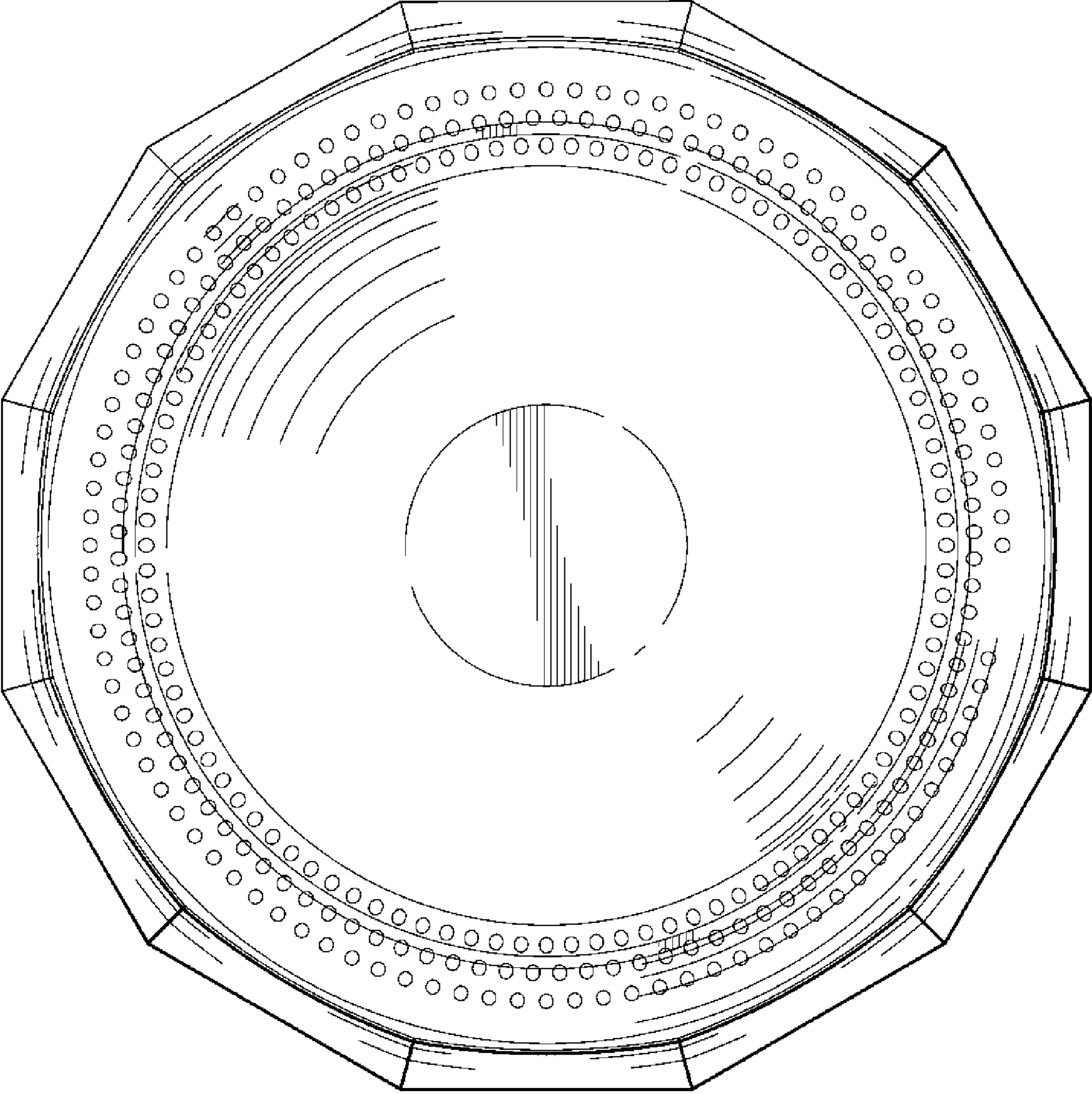


FIG. 12