



US00D612737S

(12) **United States Design Patent**  
**Bansal**

(10) **Patent No.:** **US D612,737 S**  
(45) **Date of Patent:** **\*\* Mar. 30, 2010**

(54) **SQUEEZABLE PACKAGE WITH CAP**  
(75) Inventor: **Vinod Kumar Bansal**, Edison, NJ (US)  
(73) Assignee: **Conopco, Inc.**, Englewood Cliffs, NJ (US)  
(\*\*) Term: **14 Years**  
(21) Appl. No.: **29/304,691**  
(22) Filed: **Mar. 6, 2008**

(51) **LOC (9) Cl.** ..... **09-01**  
(52) **U.S. Cl.** ..... **D9/529; D9/547; D9/574; D9/447**  
(58) **Field of Classification Search** ..... D9/516, D9/530, 542-543, 547, 574-575, 447, 449; 215/382-384; 220/660, 669  
See application file for complete search history.

(56) **References Cited**

**U.S. PATENT DOCUMENTS**

D232,521 S \* 8/1974 Roche ..... D9/542  
D317,869 S \* 7/1991 Kipperman et al. .... D9/447 X  
5,542,585 A \* 8/1996 Peters et al. .... 222/531  
D428,344 S \* 7/2000 Preston ..... D9/574 X  
D481,639 S \* 11/2003 Crawford ..... D9/542  
D486,741 S \* 2/2004 Houghton ..... D9/574 X  
D486,742 S \* 2/2004 Houghton ..... D9/542  
D495,604 S \* 9/2004 Lund et al. .... D9/542  
D497,108 S \* 10/2004 Lund et al. .... D9/542  
D498,680 S \* 11/2004 Cleary ..... D9/564 X  
D504,320 S \* 4/2005 Maus ..... D9/542 X  
D506,140 S 6/2005 Maus  
D513,987 S 1/2006 Bansal  
D514,945 S \* 2/2006 Busa et al. .... D9/542  
D528,006 S \* 9/2006 Walther et al. .... D9/542  
D533,069 S \* 12/2006 Archeny ..... D9/542

D533,073 S \* 12/2006 Brunner et al. .... D9/624  
D537,355 S \* 2/2007 Brauner et al. .... D9/563  
D541,661 S 5/2007 Wang et al  
D546,190 S \* 7/2007 Jones ..... D9/542  
D555,498 S \* 11/2007 Bansal ..... D9/574 X  
D566,576 S \* 4/2008 Thompson ..... D9/643  
D598,292 S \* 8/2009 Rivard et al. .... D9/543  
2004/0232023 A1 \* 11/2004 Bansal et al. .... 206/427

**FOREIGN PATENT DOCUMENTS**

WO DM/066739 9/2005

**OTHER PUBLICATIONS**

Applicant: Bernard, et al., U.S. Appl. No. 29/271,473, filed Jan. 19, 2007, For: Container.  
Applicant: Bansal, U.S. Appl. No. 29/304,683, filed Mar. 6, 2008, For: Squeezable Package.  
Applicant: Bansal, U.S. Appl. No. 29/304,695, filed Mar. 6, 2008, For: Squeezable Package.

\* cited by examiner

*Primary Examiner*—Carol Rademaker  
(74) *Attorney, Agent, or Firm*—Ellen Plotkin

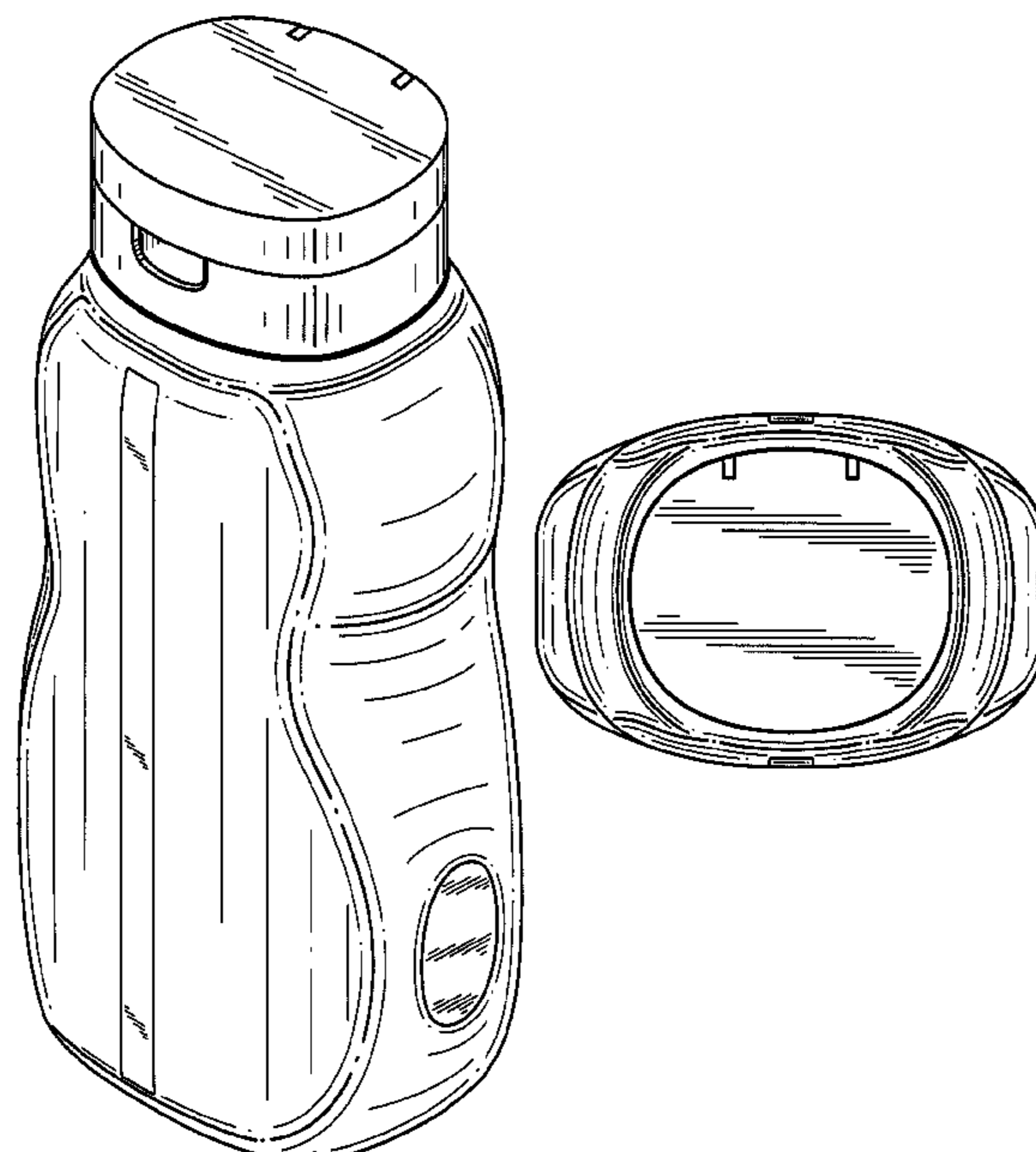
(57) **CLAIM**

The ornamental design for a squeezable package with cap, as shown and described.

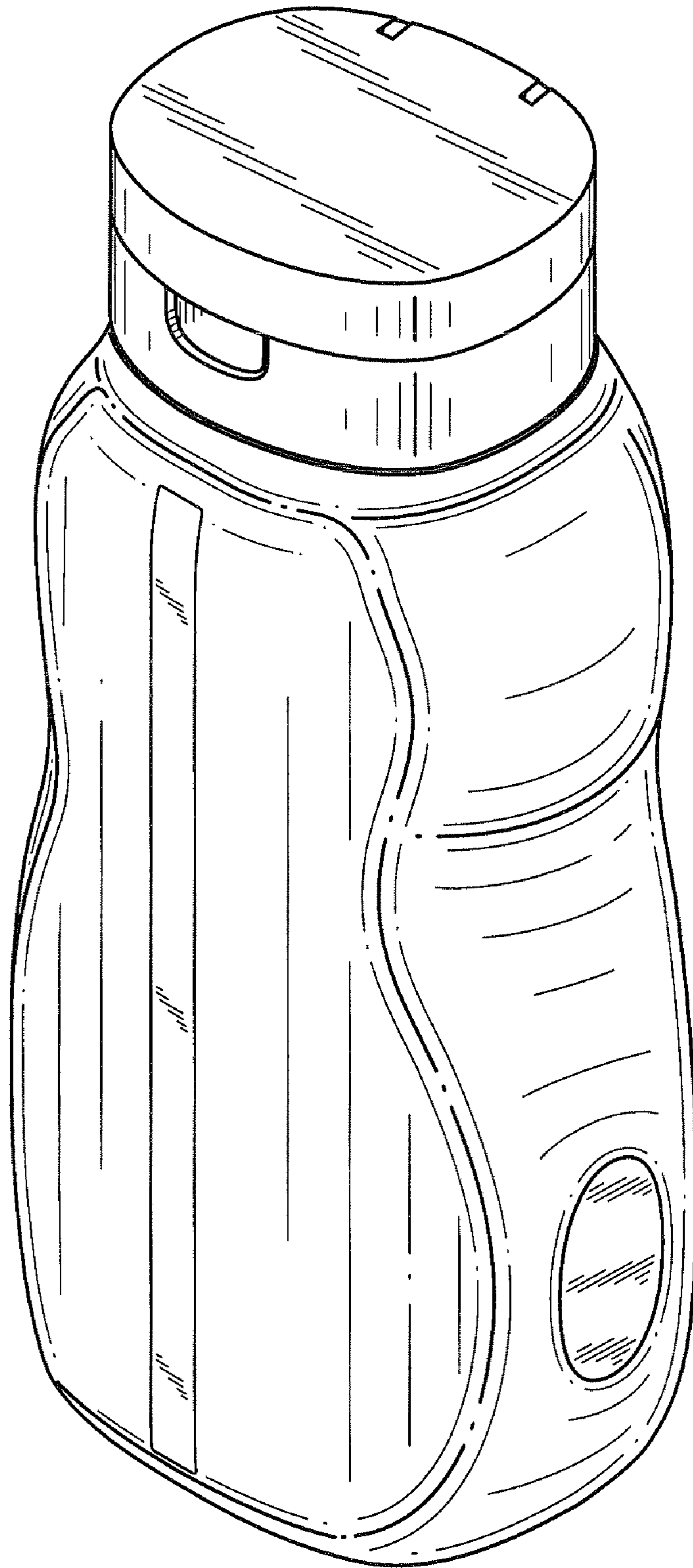
**DESCRIPTION**

FIG. 1 is a top, front, and right side perspective view of a squeezable package with cap;  
FIG. 2 is a front elevational view thereof;  
FIG. 3 is a right side elevational view thereof;  
FIG. 4 is a back elevational view thereof; and,  
FIG. 5 is a top plan view thereof.

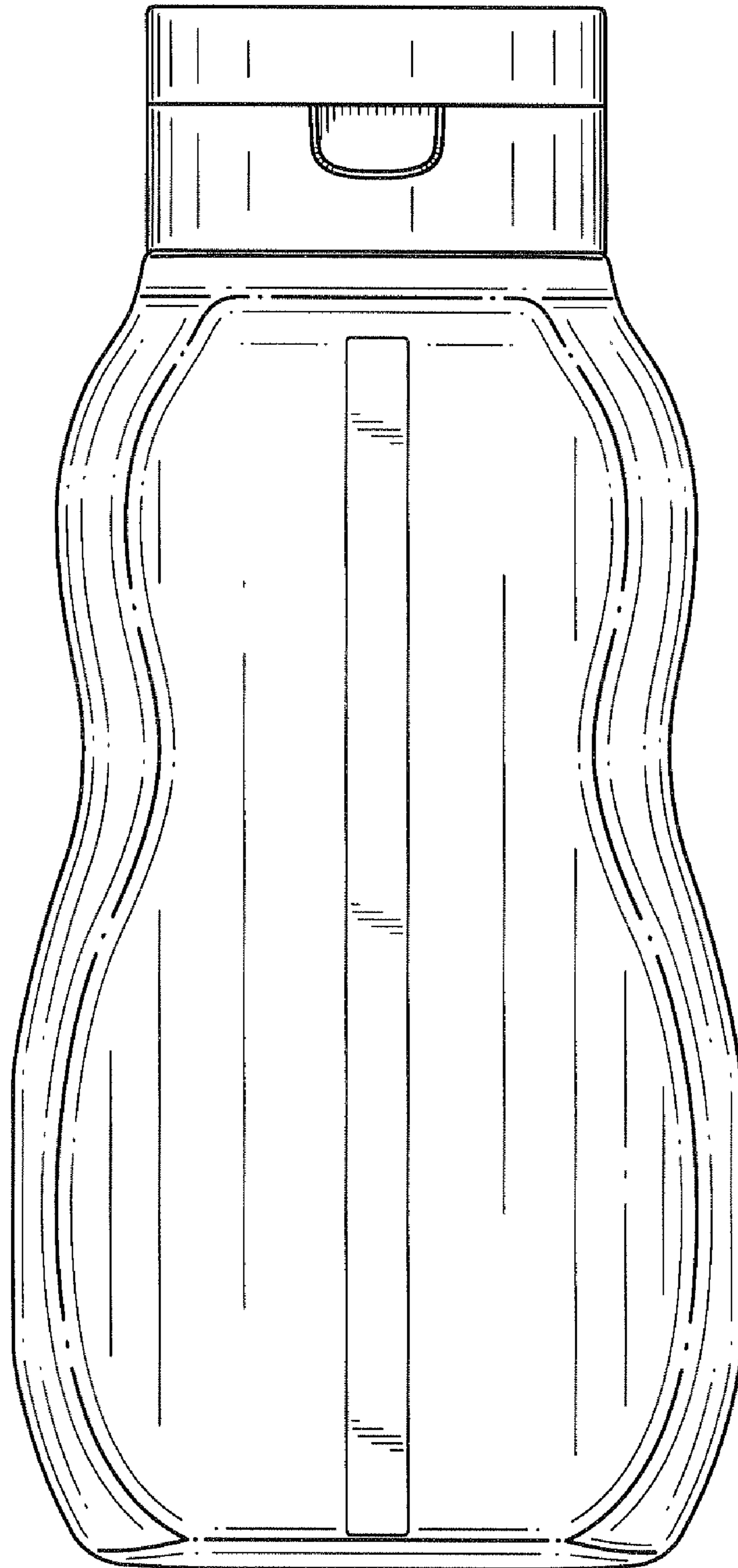
**1 Claim, 5 Drawing Sheets**



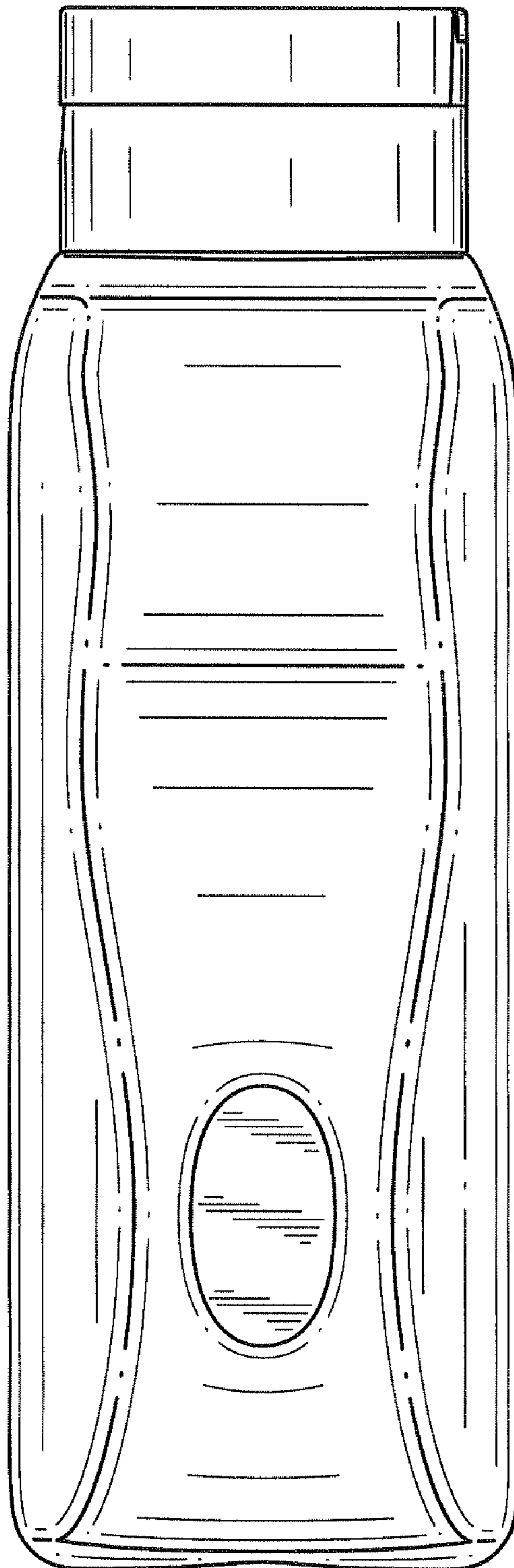
**FIG. 1**



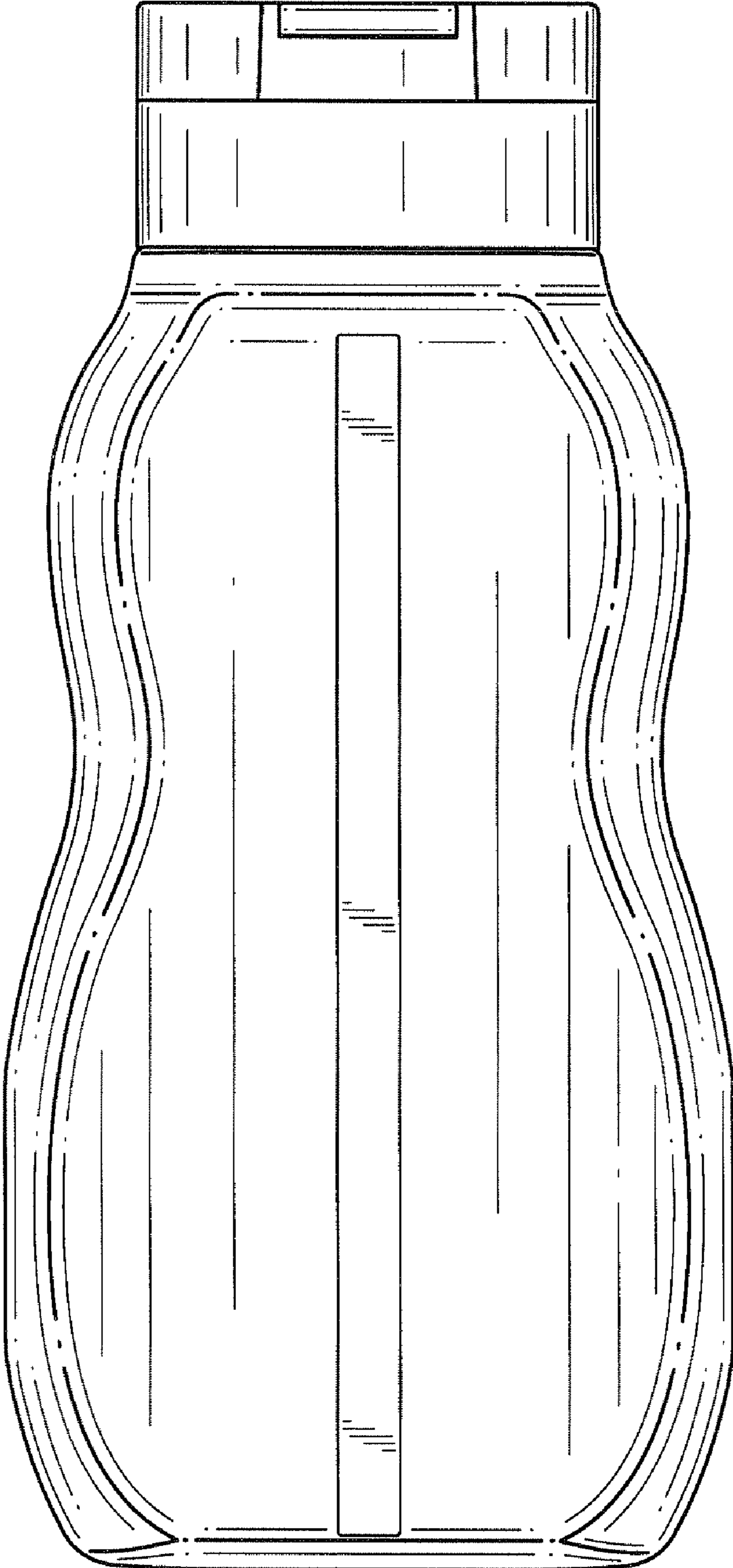
**FIG. 2**



**FIG. 3**



**FIG. 4**



**FIG. 5**

