



US00D612736S

(12) **United States Design Patent**  
**Pecora**

(10) **Patent No.:** **US D612,736 S**  
(45) **Date of Patent:** **\*\* Mar. 30, 2010**

(54) **BOTTLE**

(75) Inventor: **Albert C. Pecora**, Baltimore, MD (US)

(73) Assignee: **Platinum Brands, Inc.**, Baltimore, MD (US)

(\*\*) Term: **14 Years**

(21) Appl. No.: **29/311,486**

(22) Filed: **Mar. 31, 2009**

(51) **LOC (9) Cl.** ..... **09-01**

(52) **U.S. Cl.** ..... **D9/522; D9/526; D9/529**

(58) **Field of Classification Search** ..... D9/516,  
D9/522, 526, 529, 549; D7/598; D24/197;  
215/382-384

See application file for complete search history.

(56) **References Cited**

**U.S. PATENT DOCUMENTS**

D18,420 S *	7/1888	Geyer	.....	D24/197
D203,950 S *	3/1966	Swayze	.....	D9/526
D205,732 S *	9/1966	Gould	.....	D9/526
D235,813 S *	7/1975	Roth	.....	D24/115
D260,734 S *	9/1981	Frumin et al.	.....	D9/526
D260,856 S *	9/1981	Sillerud	.....	D9/522
D263,118 S *	2/1982	Weckman	.....	D9/741
4,832,213 A *	5/1989	Sharon et al.	.....	215/382 X
D316,754 S *	5/1991	Lau	.....	D24/197
D323,517 S *	1/1992	Hoefl	.....	D9/526 X

D352,240 S *	11/1994	Shiokawa	.....	D9/523
D352,241 S *	11/1994	Shiokawa	.....	D9/523
D369,064 S *	4/1996	Hand	.....	D7/591
D429,161 S *	8/2000	LePage	.....	D9/526
D429,633 S *	8/2000	Godio	.....	D7/598 X
D469,017 S *	1/2003	Mauro	.....	D9/522
D474,976 S *	5/2003	DeBiasse	.....	D9/526
6,631,819 B1 *	10/2003	Diak/Ghanem	.....	215/11.1
D505,626 S *	5/2005	Lerolle	.....	D9/529 X
D506,392 S *	6/2005	Dedancourt	.....	D9/522
D546,690 S *	7/2007	Rashid	.....	D9/522
D567,666 S *	4/2008	Hessmer et al.	.....	D9/689 X

\* cited by examiner

*Primary Examiner*—Carol Rademaker

(74) *Attorney, Agent, or Firm*—Andrew C. Aitken

(57) **CLAIM**

The ornamental design for a bottle, as shown and described.

**DESCRIPTION**

FIG. 1 is a perspective view of the present invention;  
FIG. 2 is a front elevational view thereof;  
FIG. 3 is a rear elevational view thereof;  
FIG. 4 is a left side elevational view thereof;  
FIG. 5 is a right side elevational view thereof; and,  
FIG. 6 is a top plan view thereof.

**1 Claim, 6 Drawing Sheets**

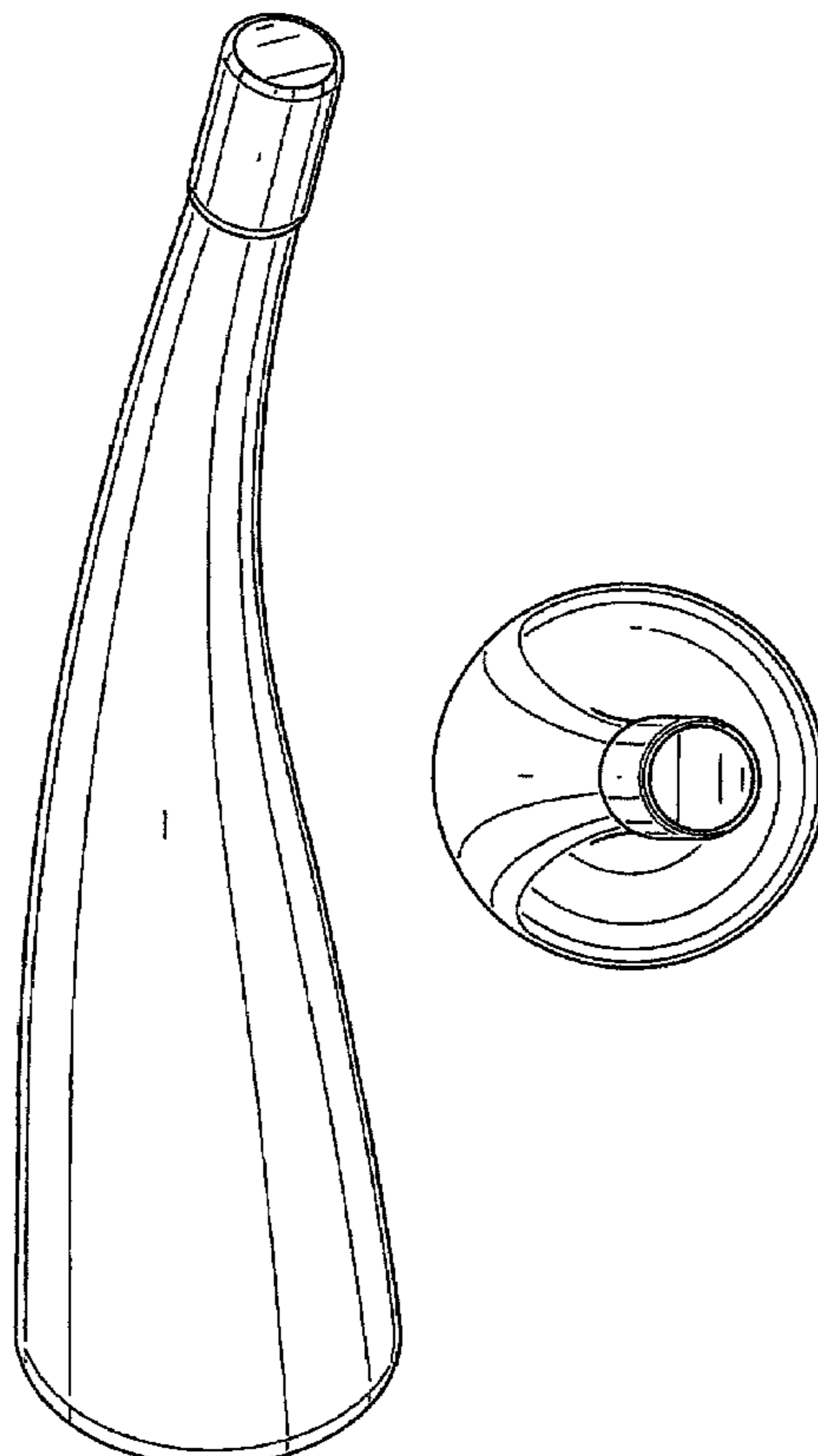




FIG. 1

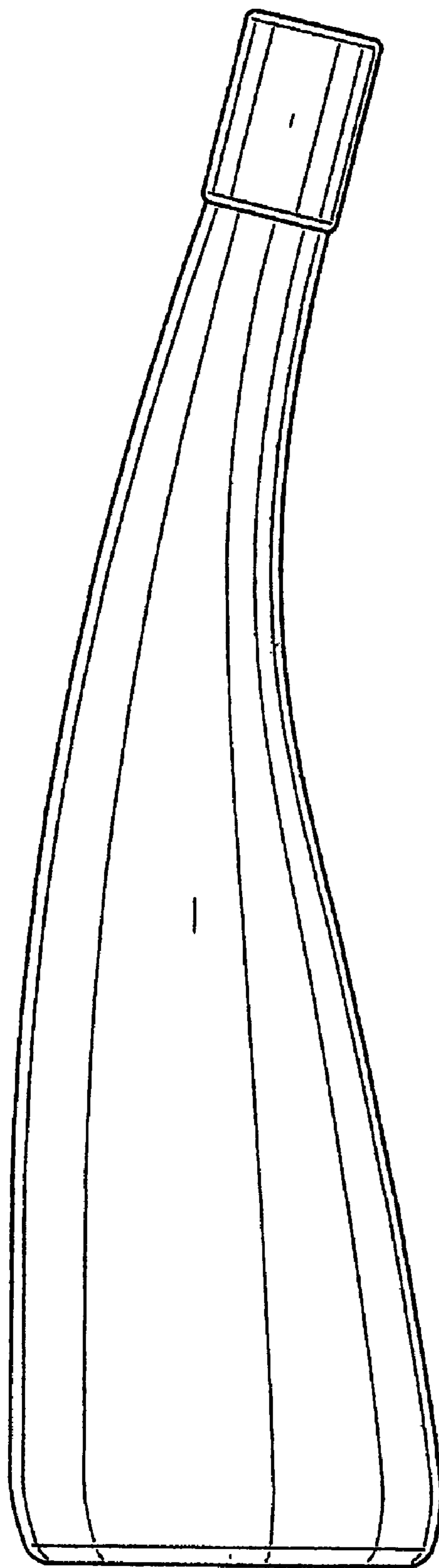


FIG. 2

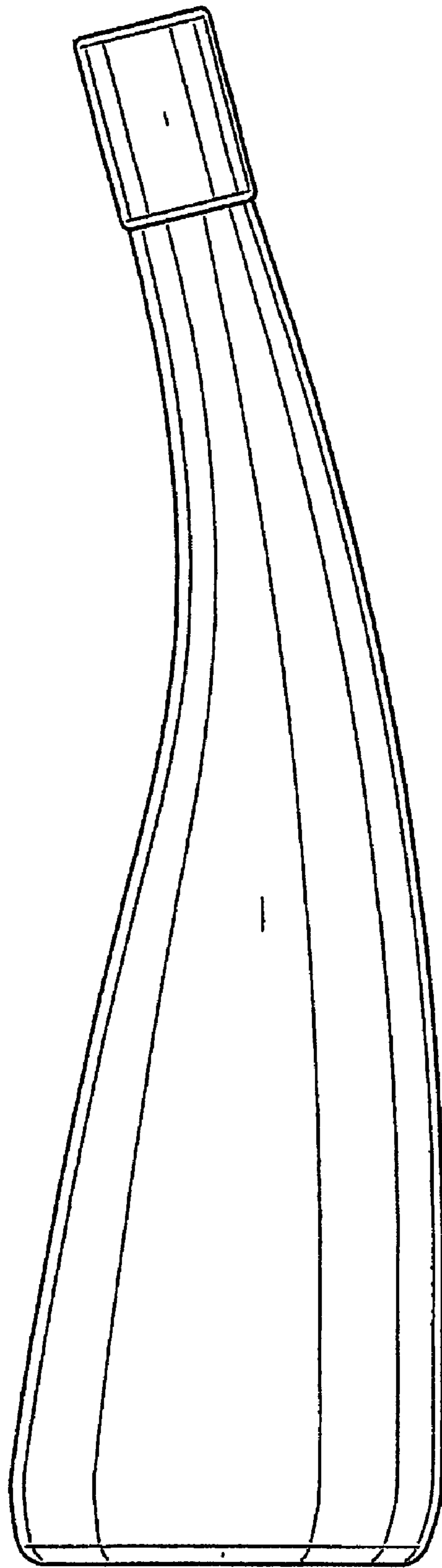


FIG. 3

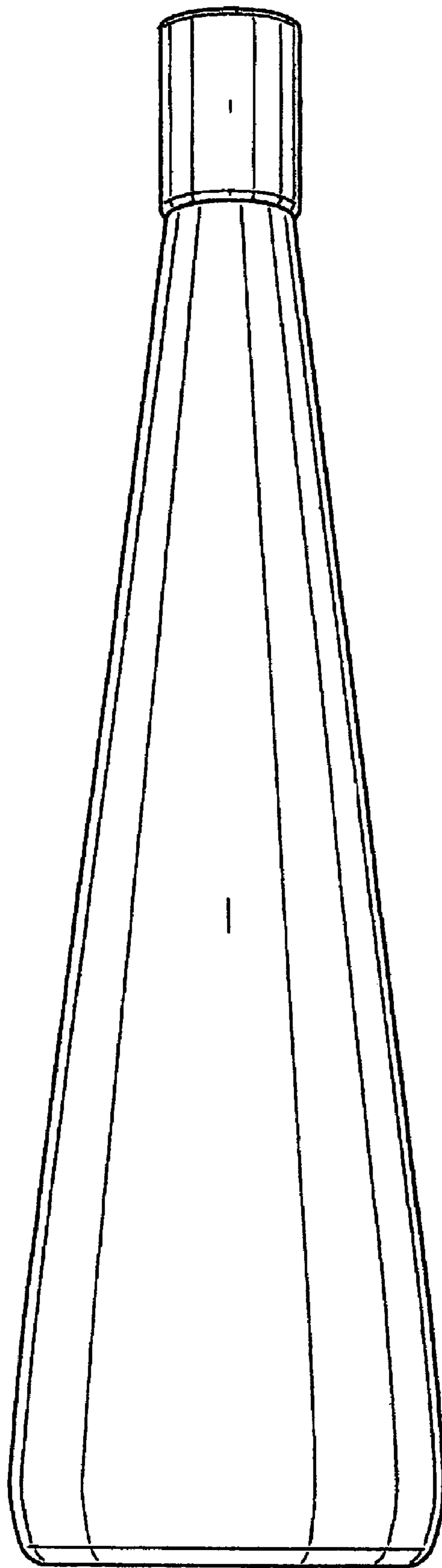


FIG. 4

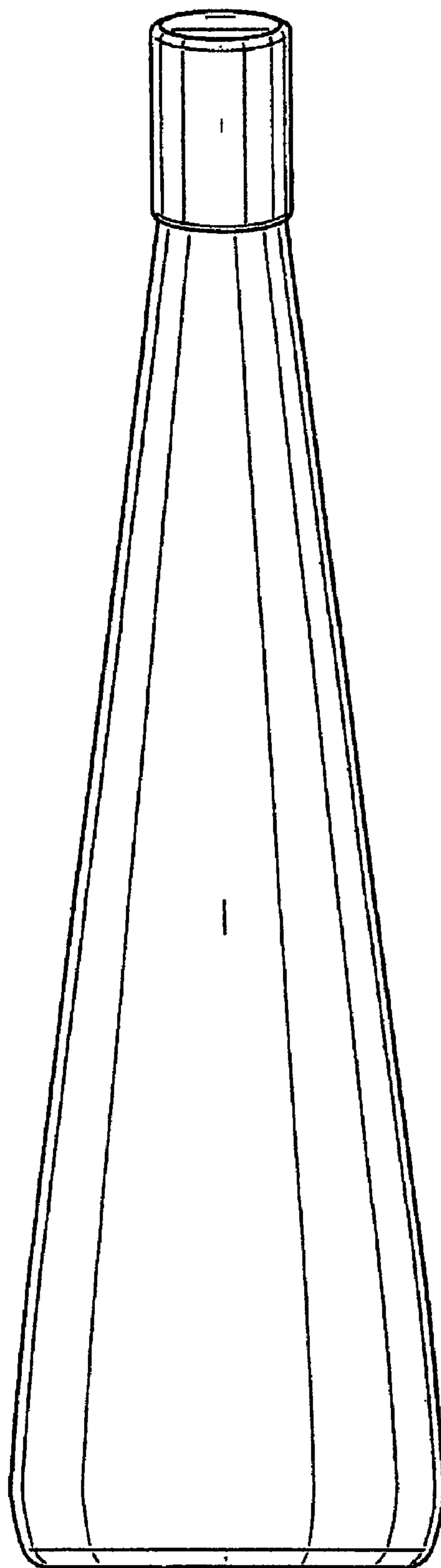


FIG. 5

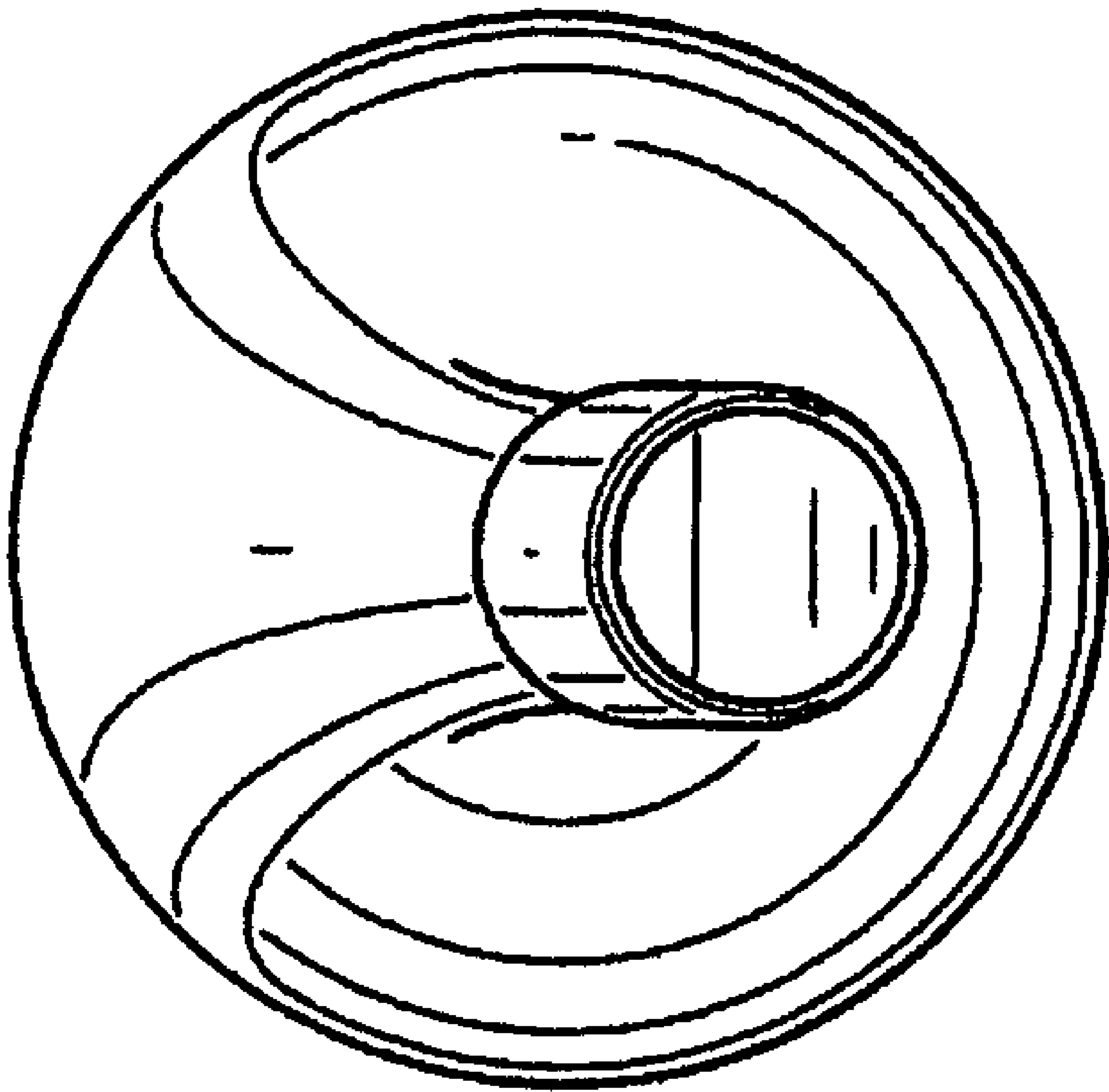


FIG. 6