



US00D612735S

(12) **United States Design Patent**
Leclair et al.

(10) **Patent No.:** **US D612,735 S**
(45) **Date of Patent:** **** Mar. 30, 2010**

(54) **BOTTLE**

(75) Inventors: **Ronald Leclair**, Deux-Montagnes (CA);
Serge Turcotte,
Saint-Etienne-de-Lauzon (CA)

(73) Assignees: **Roy + LeClair Emballage Inc.** (CA);
Roy + LeClair Packaging Inc. (CA)

(**) Term: **14 Years**

(21) Appl. No.: **29/325,929**

(22) Filed: **Oct. 8, 2008**

Related U.S. Application Data

(63) Continuation-in-part of application No. 29/304,525,
filed on Mar. 4, 2008.

(51) **LOC (9) Cl.** **09-01**

(52) **U.S. Cl.** **D9/516; D9/520**

(58) **Field of Classification Search** D9/500,
D9/503, 504, 516, 520, 529, 548, 549, 571,
D9/574, 575; 215/381-385

See application file for complete search history.

(56) **References Cited**

U.S. PATENT DOCUMENTS

D209,244 S *	11/1967	Koenigsberg	D9/548
D247,578 S	3/1978	Sponseller		
D258,534 S	3/1981	Nagel		
D284,837 S *	7/1986	Nilsson	D9/503
D288,293 S *	2/1987	Arvans	D9/500
D289,937 S *	5/1987	Cleveland, Jr.	D34/39
D305,601 S *	1/1990	Hewson	D7/368
5,062,549 A	11/1991	Smith et al.		
D332,919 S *	2/1993	Turnbull et al.	D9/500
D378,847 S	4/1997	Ey		
D401,697 S	11/1998	Cloonan et al.		
D406,062 S *	2/1999	Brewer	D9/520
D406,758 S *	3/1999	Bright et al.	D9/428

D426,160 S *	6/2000	Lindsay et al.	D9/500
D441,657 S *	5/2001	Brown, III	D9/764
D447,419 S	9/2001	Jaketic		
D454,498 S *	3/2002	Darr et al.	D9/520
D456,075 S *	4/2002	Clements et al.	D24/121
D459,658 S *	7/2002	Darr et al.	D9/520
6,756,008 B2	6/2004	Sudo		
D528,422 S *	9/2006	Darr et al.	D9/516
D531,903 S *	11/2006	Haubein	D9/500
D534,079 S *	12/2006	Livingston	D9/516
D554,764 S	11/2007	Gerretz et al.		

FOREIGN PATENT DOCUMENTS

WO	9838095	9/1998
WO	089383	8/2006

* cited by examiner

Primary Examiner—Stella M Reid

Assistant Examiner—Elizabeth J Oswecki

(74) *Attorney, Agent, or Firm*—Cantor Colburn LLP

(57) **CLAIM**

The ornamental design for a bottle, as shown and described.

DESCRIPTION

FIG. 1 is an upper perspective view of a bottle showing our new design;

FIG. 2 is a right side elevation view thereof, the left side elevation view being identical;

FIG. 3 is a front elevation view thereof, the rear elevation view being identical;

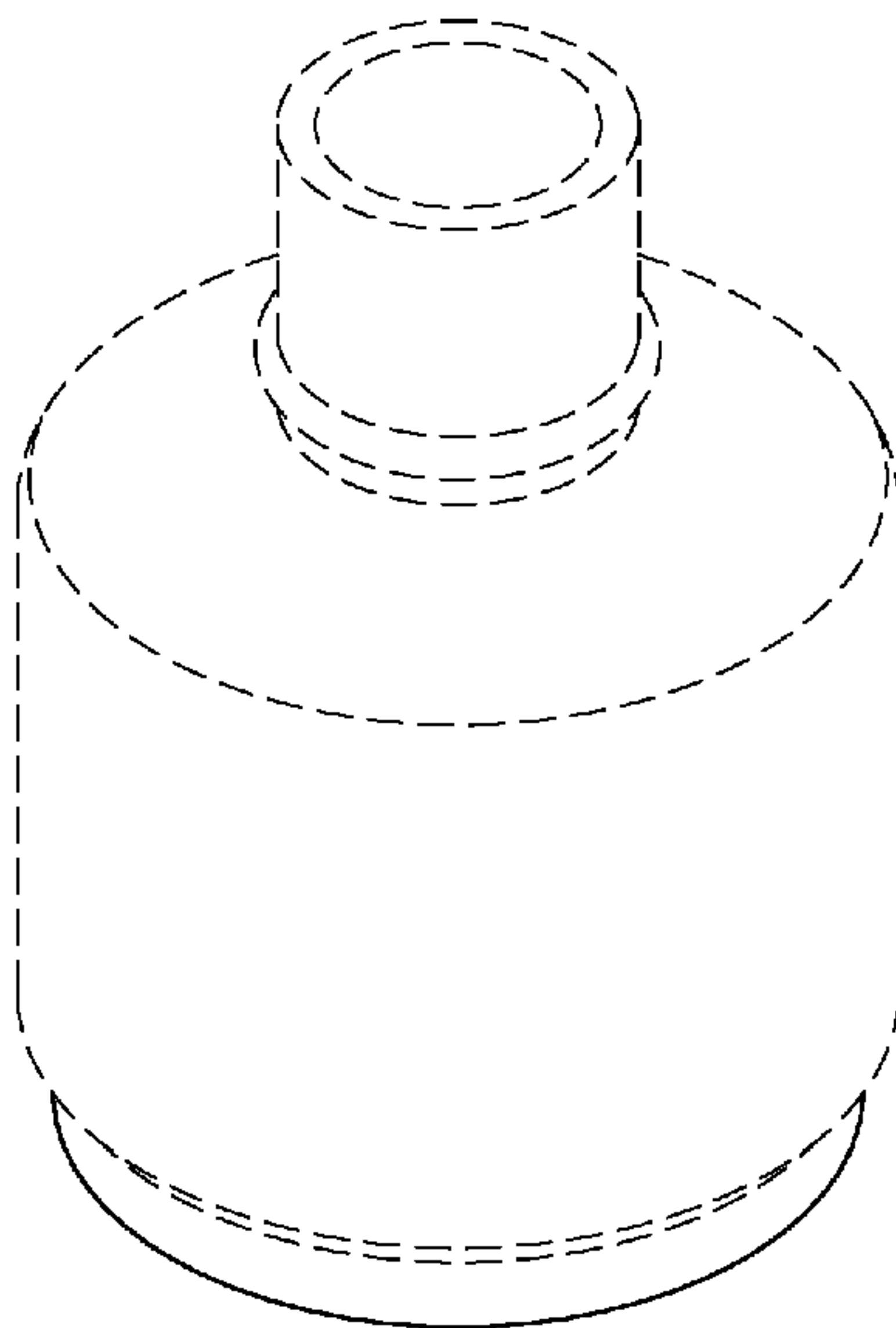
FIG. 4 is a top plan view thereof;

FIG. 5 is a bottom plan view thereof; and,

FIG. 6 is a lower perspective view thereof.

The dashed lines showing structural lines is included for the purpose of illustrating non-claimed subject-matter and forms no part of the claimed design.

1 Claim, 3 Drawing Sheets



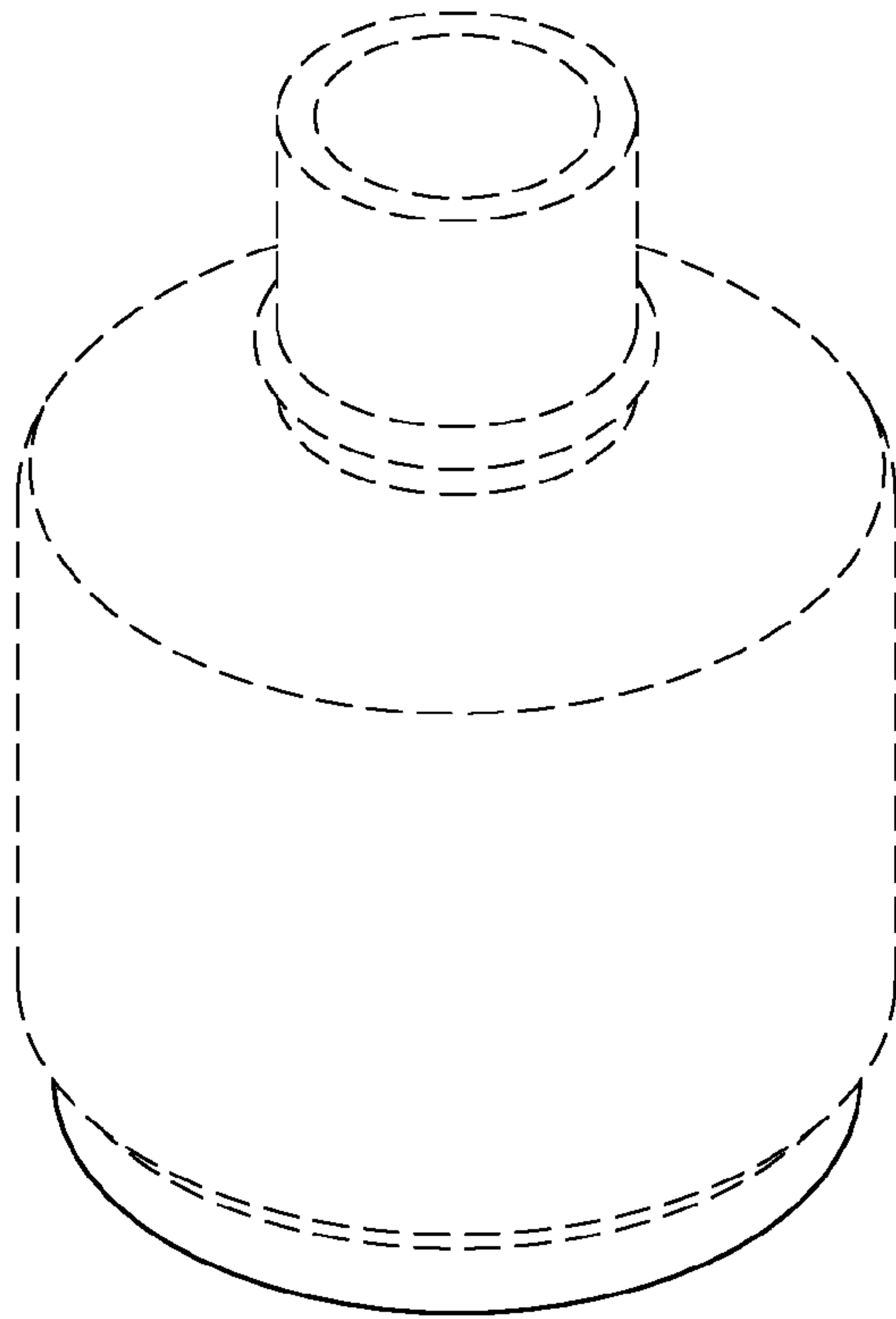


FIG. 1

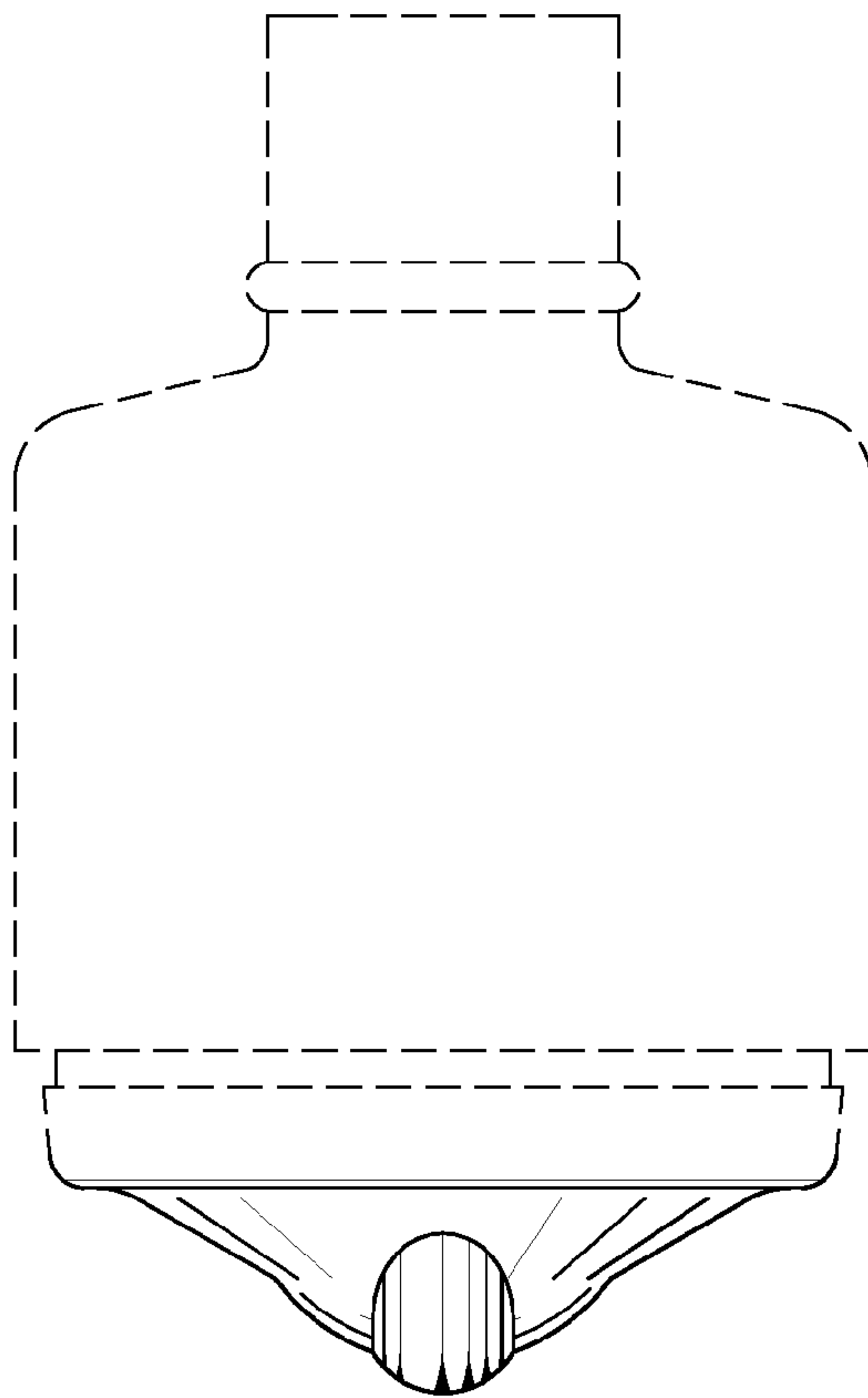


FIG. 2

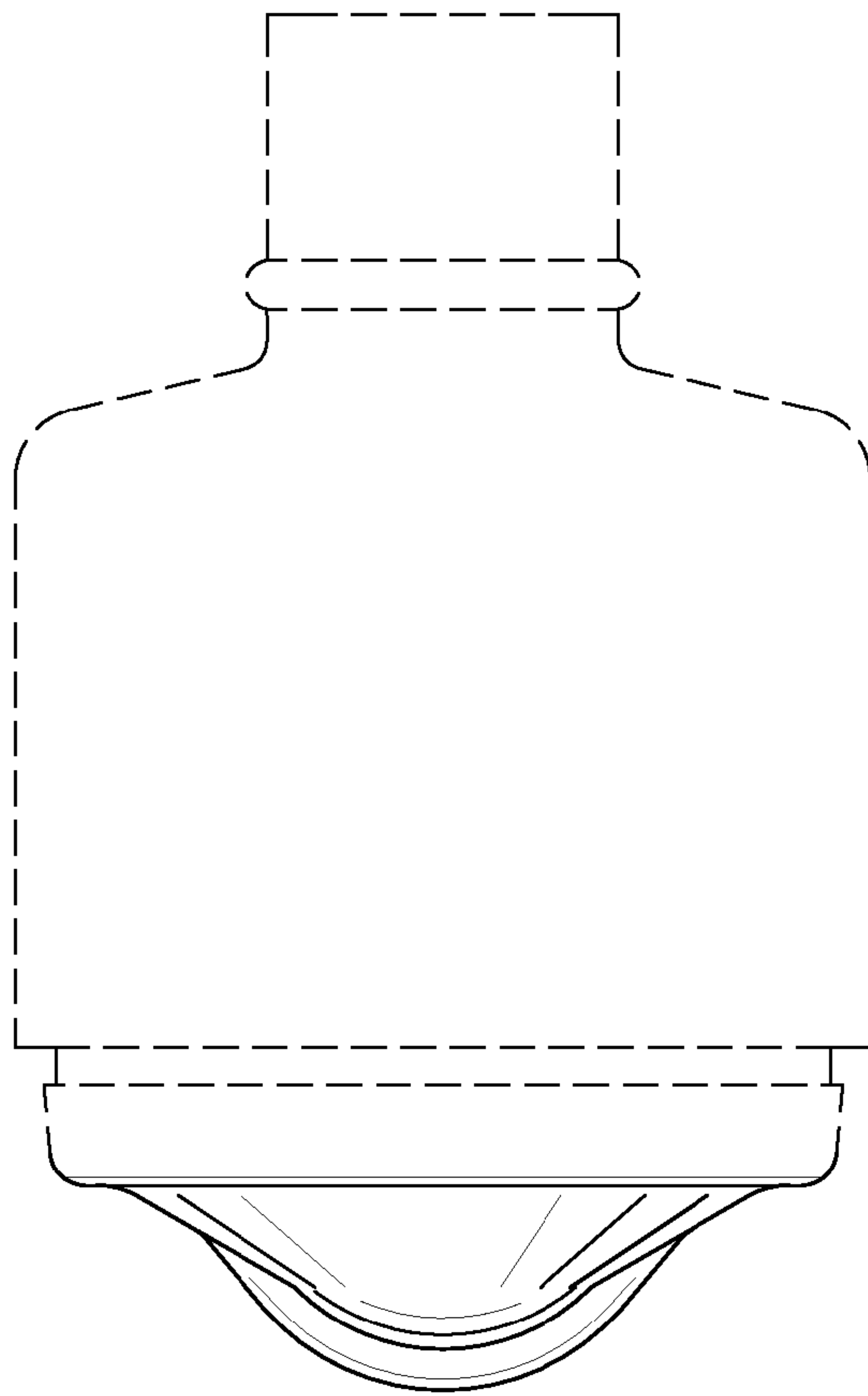


FIG. 3

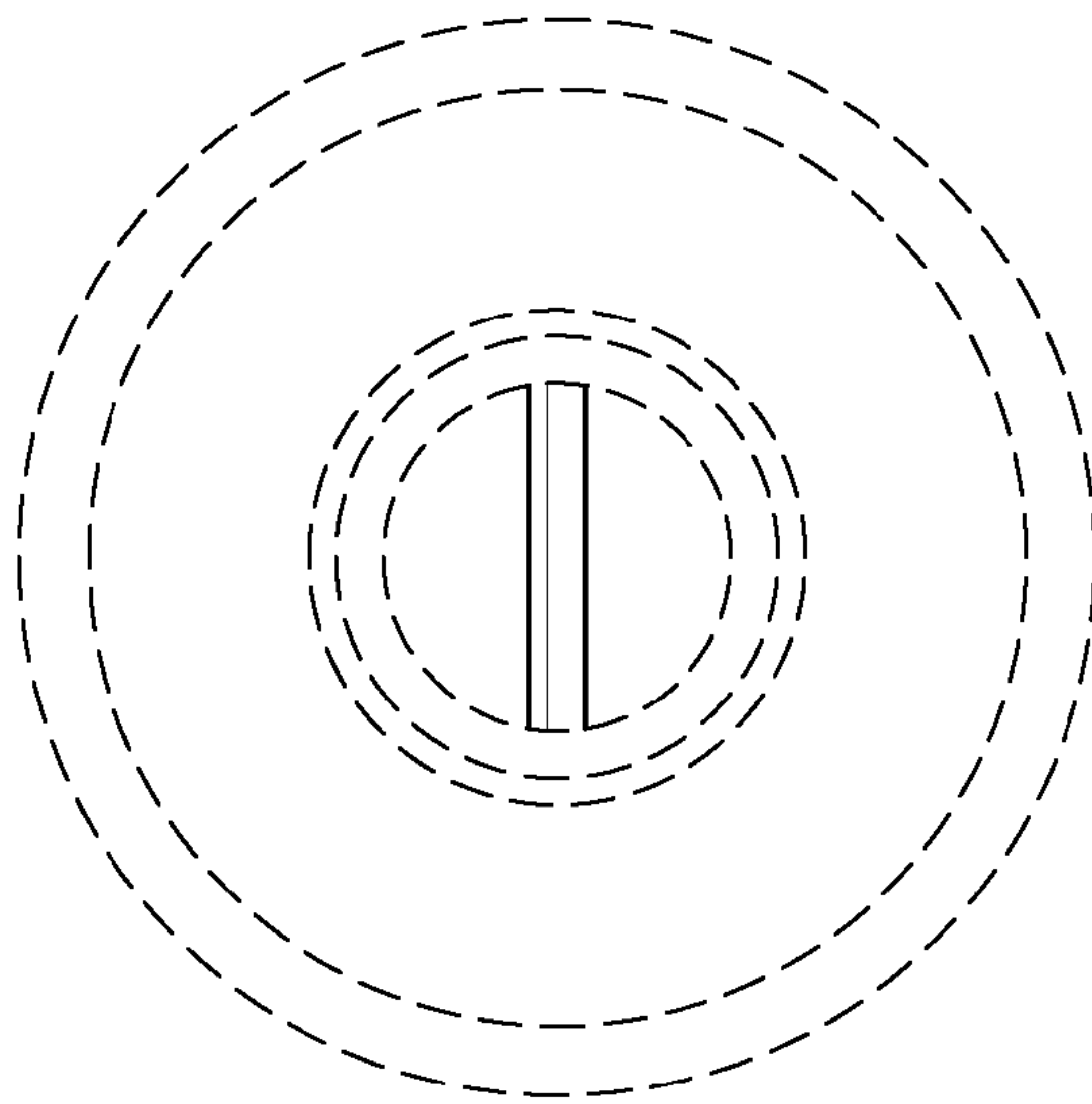


FIG. 4

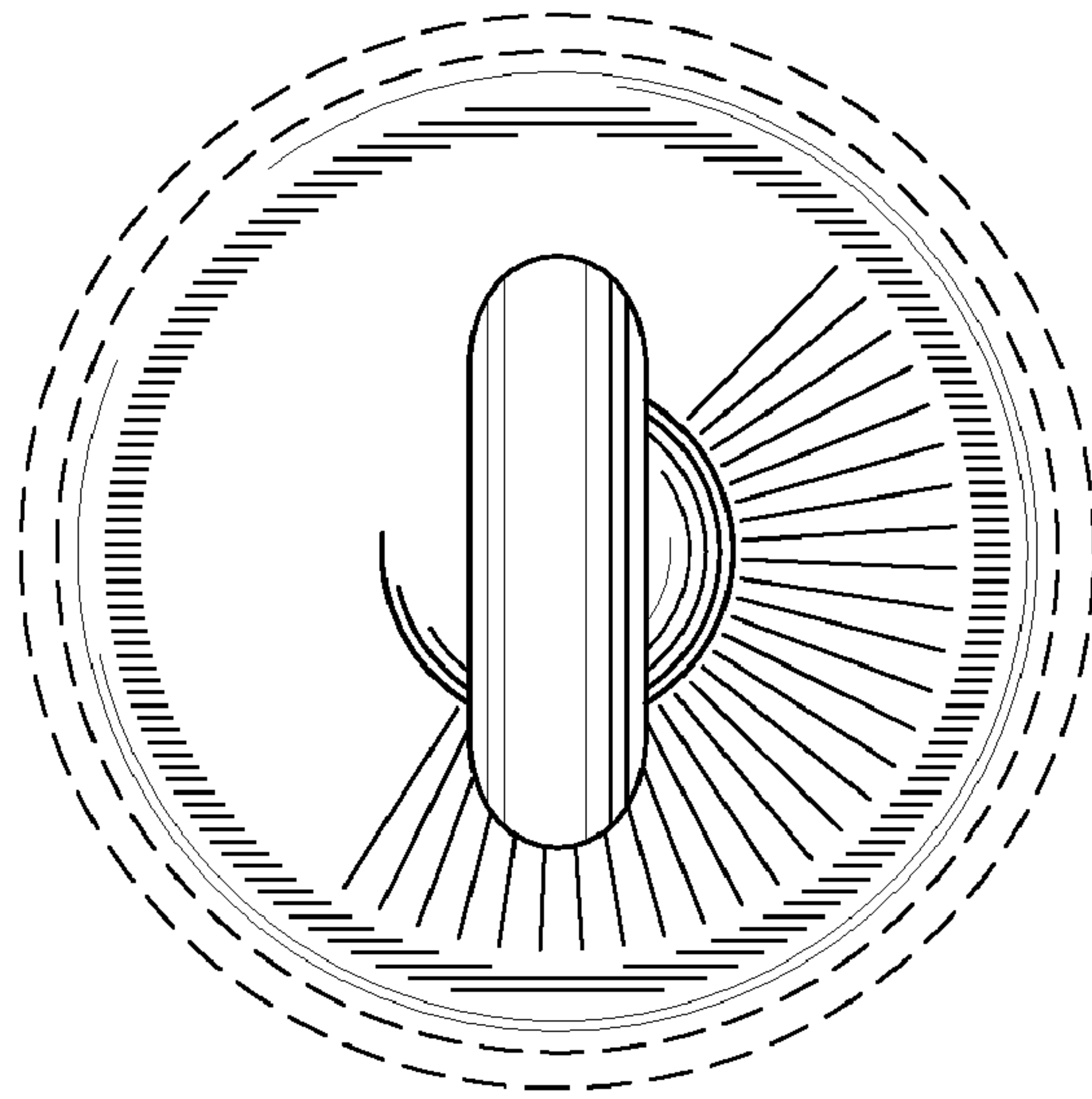


FIG. 5

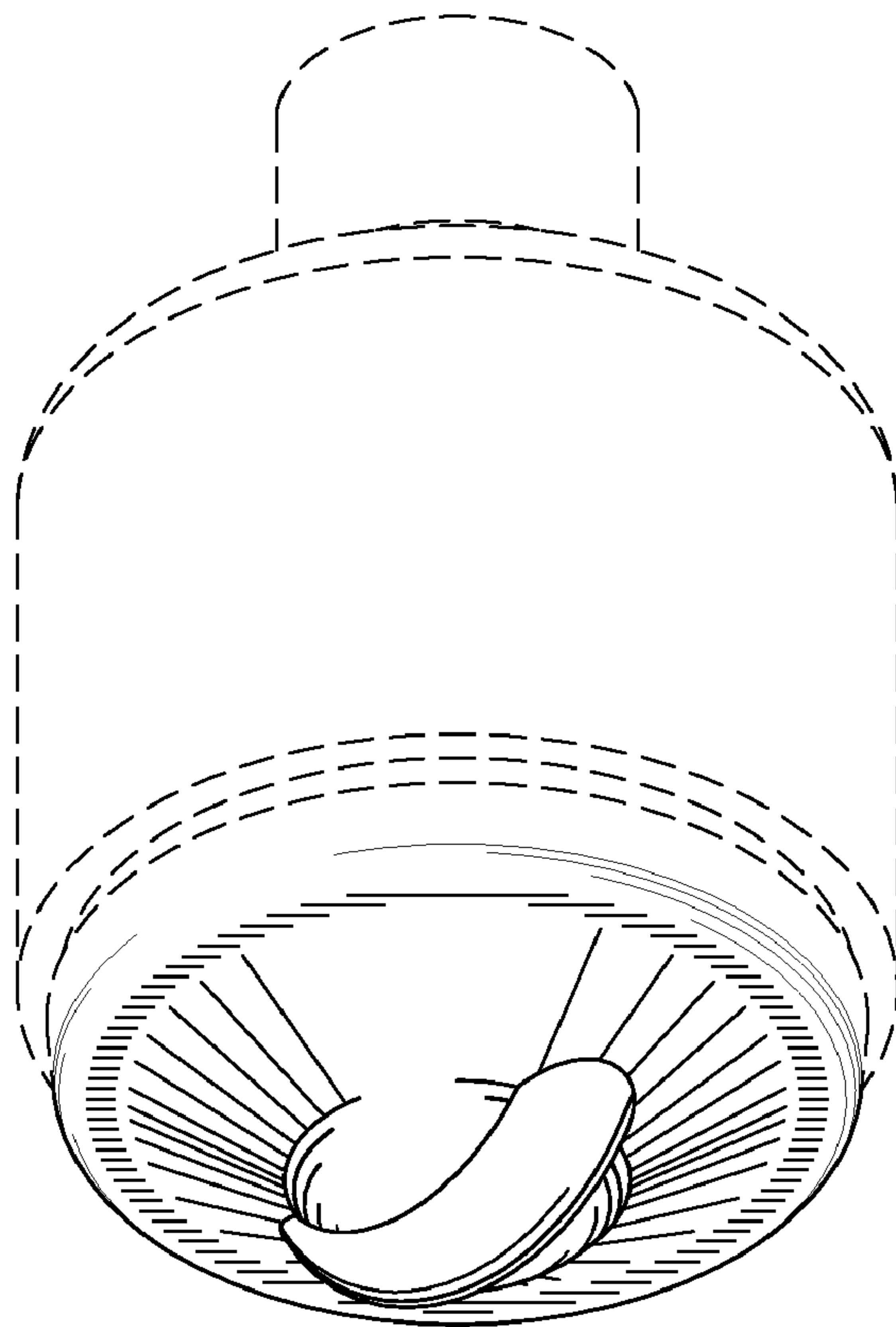


FIG. 6