



US00D612732S

(12) **United States Design Patent**
Takata et al.

(10) **Patent No.:** **US D612,732 S**

(45) **Date of Patent:** **** *Mar. 30, 2010**

(54) **CONTAINER**

D120,226 S 4/1940 Lundy
D120,587 S 5/1940 Hinkins

(75) Inventors: **Carolyn Takata**, Laguna Niguel, CA (US); **Thomas Murphy**, Lake Mills, WI (US); **Todd L. Pesek**, Shawnee, KS (US)

(Continued)

(73) Assignee: **Silgan Containers LLC**, Woodland Hills, CA (US)

FOREIGN PATENT DOCUMENTS

(*) Notice: This patent is subject to a terminal disclaimer.

FR 2584680 1/1987

(Continued)

(**) Term: **14 Years**

OTHER PUBLICATIONS

(21) Appl. No.: **29/318,021**

U.S. Appl. No. 29/298,989, filed Dec. 17, 2007, Diss.

(22) Filed: **May 12, 2008**

(Continued)

(51) **LOC (9) Cl.** **09-01**
(52) **U.S. Cl.** **D9/500; D9/428**
(58) **Field of Classification Search** D9/500,
D9/502, 516, 549, 556-558, 414, 424-426,
D9/428-429, 772, 774, 777-779; D7/601-602,
D7/629-630; 215/379, 381-383; 220/574,
220/657, 660, 669-673, 675; D11/143, 152-154
See application file for complete search history.

Primary Examiner—Ian Simmons
Assistant Examiner—Dana L Sipos
(74) *Attorney, Agent, or Firm*—Foley & Lardner LLP

(57) **CLAIM**

We claim the ornamental design for a container, as shown and described.

(56) **References Cited**

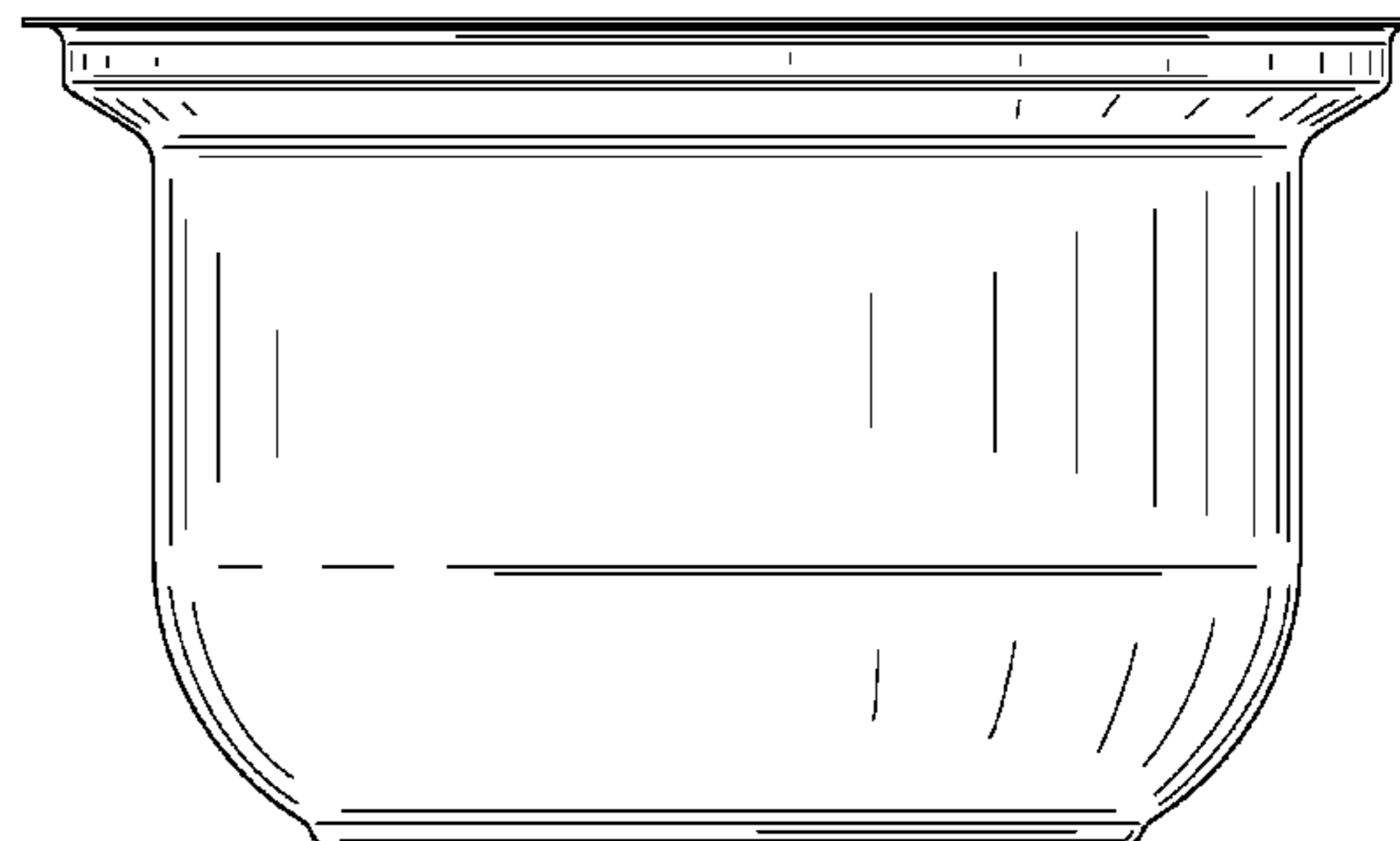
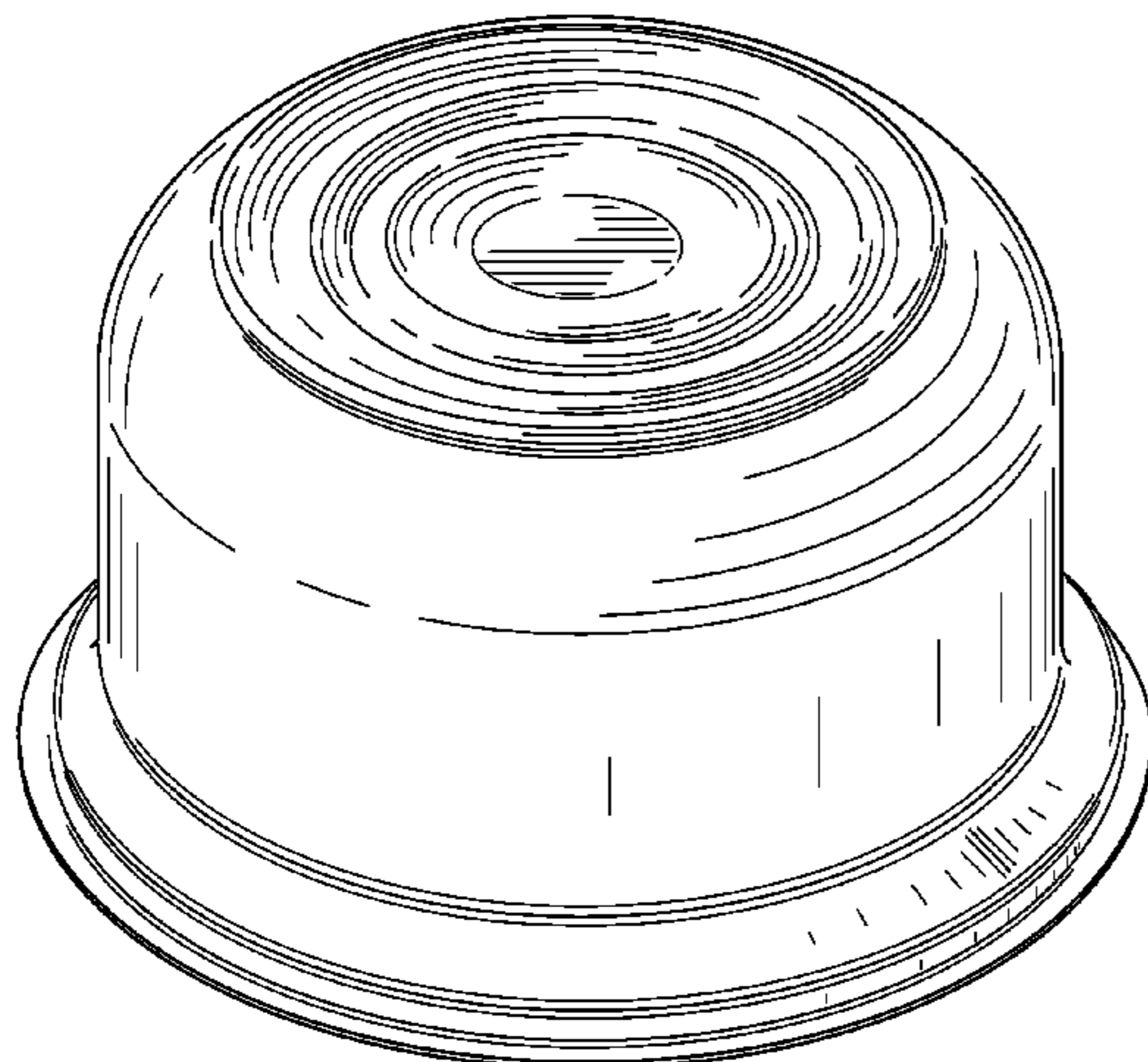
DESCRIPTION

U.S. PATENT DOCUMENTS

D2,820 S	5/1867	Barry
D22,751 S	8/1893	Lanning
D24,991 S	12/1895	Estes
D25,941 S	8/1896	Lindgren
566,067 A	8/1896	Duck
D28,732 S	5/1898	Cook
D28,842 S	6/1898	Griffith
D38,167 S	8/1906	Winterman
829,477 A	8/1906	Kruse
1,013,775 A	1/1912	Hoffman
D56,181 S	8/1920	Lewis
D67,869 S	7/1925	Boswell
D73,511 S	9/1927	Schrader
1,832,806 A	11/1931	Dawson
D98,420 S	2/1936	Deskey
D101,728 S	10/1936	Bennett

FIG. 1 is a top, perspective view of a container showing our new design;
FIG. 2 is a bottom perspective view thereof;
FIG. 3 is a front elevation view thereof, the left side, the right side and the rear elevation views being identical;
FIG. 4 is a top plan view thereof; and,
FIG. 5 is a bottom plan view thereof.
The ornamental design which is claimed is shown in solid lines in the drawings. The broken lines in the drawings are for illustrative purposes only and form no part of the claimed design.

1 Claim, 5 Drawing Sheets



US D612,732 S

Page 2

U.S. PATENT DOCUMENTS					
D124,645 S	1/1941	Palmer	D412,441 S	8/1999	Cheng et al.
D124,880 S	1/1941	Teunisz	D413,519 S	9/1999	Eberle et al.
2,252,915 A	8/1941	Conill	5,957,647 A	9/1999	Hinton
D129,604 S	9/1941	Forgue	D414,693 S	10/1999	Cheng et al.
D185,649 S	7/1959	Schlumbohm	D416,200 S	11/1999	Pavely et al.
3,297,194 A	1/1967	Schaper et al.	5,988,416 A	11/1999	Cheng et al.
D207,133 S	3/1967	Stenger	5,988,417 A	11/1999	Cheng et al.
3,317,110 A	5/1967	Palmer	D417,392 S	12/1999	Zhang
3,349,987 A	10/1967	Weitzner	D419,058 S	1/2000	Roth et al.
D212,525 S	10/1968	Kneapler	D419,444 S	1/2000	Zhang
3,648,884 A	3/1972	Mansolino	D419,886 S	2/2000	Gans
D224,516 S	8/1972	Amberg	D420,587 S	2/2000	Cheng et al.
D224,642 S	8/1972	Mascia et al.	D421,393 S	3/2000	Pavely et al.
D226,176 S	1/1973	Bystedt et al.	D421,720 S	3/2000	Eberle et al.
D227,863 S	7/1973	Mascia	D421,907 S	3/2000	Benge et al.
D227,868 S	7/1973	Stanley et al.	D423,336 S	4/2000	Gray
D228,229 S	8/1973	Mascia	D423,365 S	4/2000	Eberle et al.
D231,087 S	4/1974	Edwards	D425,424 S	5/2000	Cheng et al.
D231,773 S	6/1974	Mascia	6,062,409 A	5/2000	Eberle
D234,251 S	2/1975	Edwards	D426,164 S	6/2000	Gans et al.
D235,184 S	5/1975	Achenbach	D427,057 S	6/2000	Roth et al.
D237,853 S	12/1975	Katz	D427,514 S	7/2000	Roth et al.
4,010,860 A	3/1977	Garber	D427,515 S	7/2000	Roth et al.
D249,111 S	8/1978	Geyer	D427,905 S	7/2000	Eberle
D252,798 S	9/1979	Vosti et al.	6,092,688 A	7/2000	Eberle et al.
D288,515 S *	3/1987	Rimmeir D7/584	D429,151 S	8/2000	Cheng et al.
D288,527 S	3/1987	Maguire	D429,164 S	8/2000	Peek et al.
D299,426 S	1/1989	Andersson et al.	6,095,360 A	8/2000	Shmagin et al.
4,804,105 A	2/1989	Zysset et al.	6,123,211 A	9/2000	Rashid et al.
D307,238 S	4/1990	May	D431,465 S	10/2000	Cheng et al.
D317,405 S	6/1991	Yasika	D431,470 S	10/2000	Henderson
5,040,698 A	8/1991	Ramsey et al.	D432,423 S	10/2000	Rashid
D319,580 S	9/1991	Cassai et al.	D432,424 S	10/2000	Andrew
D320,153 S	9/1991	Cassai et al.	6,131,761 A	10/2000	Cheng et al.
5,052,573 A	10/1991	Zysset	D435,455 S	12/2000	Gans
D323,290 S	1/1992	Keedy, Jr.	6,161,713 A	12/2000	Krich
D345,105 S	3/1994	Ramsey	6,164,474 A	12/2000	Cheng et al.
D352,898 S	11/1994	Vacher	6,164,480 A	12/2000	Heinicke et al.
D355,129 S	2/1995	Gruodis	D437,229 S	2/2001	Andrew
D355,368 S	2/1995	Gruodis	D437,230 S	2/2001	Andrew
D357,413 S	4/1995	Kornick et al.	6,206,222 B1	3/2001	Cudzik
D357,414 S	4/1995	Kornick et al.	6,213,325 B1	4/2001	Cheng et al.
D365,021 S	12/1995	Park	6,220,475 B1	4/2001	Nayar et al.
D367,426 S	2/1996	Ruff	D441,295 S	5/2001	Krich
D373,084 S	8/1996	Choi	6,230,912 B1	5/2001	Rashid
D378,572 S	3/1997	Culverwell et al.	D445,339 S	7/2001	Bazlur
D379,589 S	6/1997	Rhodes et al.	D445,693 S	7/2001	Rashid
D381,259 S	7/1997	Hayes	D445,694 S	7/2001	Gans
D383,037 S	9/1997	Asberg	D446,455 S	8/2001	McGowan
5,711,448 A	1/1998	Clarke, III	D446,458 S	8/2001	Gans
5,720,412 A	2/1998	Ficken	D447,061 S	8/2001	Peek
5,722,561 A	3/1998	Biondich et al.	6,280,679 B1	8/2001	Rashid et al.
5,749,488 A	5/1998	Bagwell et al.	D447,422 S	9/2001	Peek
D398,531 S	9/1998	DeVries	D448,302 S	9/2001	Cheng et al.
D399,129 S	10/1998	Ramsey	D448,303 S	9/2001	Cheng et al.
D399,425 S	10/1998	Ramsey	D448,304 S	9/2001	Cheng et al.
D399,428 S	10/1998	Ramsey	6,294,131 B1	9/2001	Jaffrey
D399,429 S	10/1998	Ramsey	D448,666 S	10/2001	Fields
D399,430 S	10/1998	Ramsey	D448,671 S	10/2001	Gans et al.
D399,753 S	10/1998	Ramsey	D448,672 S	10/2001	Cheng et al.
D401,152 S	11/1998	DeVore et al.	D448,675 S	10/2001	Thierjung
D403,962 S	1/1999	Ramsey	D448,677 S	10/2001	Krich
D403,963 S	1/1999	Ramsey	D449,539 S	10/2001	Lakatosh et al.
D404,254 S	1/1999	Asberg	D449,993 S	11/2001	Schumann
D404,970 S	2/1999	Asberg	D450,244 S	11/2001	Rashid
D406,065 S	2/1999	Cheng	6,321,927 B2	11/2001	Cavella
D406,236 S	3/1999	Brifcani et al.	D453,003 S	1/2002	Rashid
D408,221 S	4/1999	Asberg	6,341,709 B1	1/2002	Wilson
D409,496 S	5/1999	Ramsey	6,347,717 B1	2/2002	Eberle
D411,106 S	6/1999	Conrad	D454,073 S	3/2002	Crawford
D412,118 S	7/1999	Rodea	D455,656 S	4/2002	Gans et al.
			6,374,657 B1	4/2002	Kirk et al.
			D456,712 S	5/2002	Krich

D457,435 S 5/2002 Rashid
 6,398,052 B1 6/2002 Cheng et al.
 6,419,874 B2 7/2002 Rashid et al.
 D464,569 S 10/2002 Moore et al.
 D465,158 S 11/2002 Peek et al.
 D465,418 S 11/2002 Thierjung
 D466,019 S 11/2002 Thierjung et al.
 D466,021 S 11/2002 Thierjung et al.
 D466,024 S 11/2002 Thierjung et al.
 D466,813 S 12/2002 Thierjung et al.
 D466,817 S 12/2002 Thierjung et al.
 D469,360 S 1/2003 Moore et al.
 6,575,684 B2 6/2003 Heinicke et al.
 D476,889 S 7/2003 Fields
 D476,896 S 7/2003 Cheng et al.
 6,585,125 B1 7/2003 Peek
 D478,286 S 8/2003 Futral et al.
 D478,287 S 8/2003 Corker et al.
 D479,999 S 9/2003 Moore
 D480,650 S 10/2003 Moore et al.
 D480,956 S 10/2003 Mooney et al.
 D480,957 S 10/2003 Mooney et al.
 D481,317 S 10/2003 Corker et al.
 D484,808 S 1/2004 Thierjung et al.
 D485,182 S 1/2004 Gaydon
 6,685,417 B2 2/2004 Heinicke et al.
 D489,983 S 5/2004 Futral et al.
 D489,984 S 5/2004 Futral et al.
 D491,288 S 6/2004 Young
 D493,370 S 7/2004 Kamineni et al.
 D494,475 S 8/2004 Thierjung et al.
 6,769,561 B2 8/2004 Futral et al.
 D498,143 S 11/2004 Rashid
 6,877,607 B2 4/2005 Jenkins
 6,889,862 B2 5/2005 Vaughan
 D507,485 S 7/2005 Fields
 D509,106 S * 9/2005 de Groote et al. D7/587
 D510,024 S 9/2005 Jacober et al.
 D511,458 S 11/2005 Dunwoody et al.
 D512,917 S 12/2005 Frisch et al.
 D517,417 S 3/2006 Livingston et al.
 D522,371 S 6/2006 Livingston
 D523,341 S 6/2006 Livingston et al.
 D523,347 S 6/2006 Livingston
 D525,129 S 7/2006 Hutter et al.
 D525,139 S 7/2006 Livingston et al.
 D525,530 S 7/2006 Livingston et al.
 7,108,469 B2 9/2006 Jenkins
 7,112,771 B2 9/2006 Richardson et al.
 D530,614 S 10/2006 Gatewood
 D532,306 S 11/2006 MacLeod et al.
 D532,689 S * 11/2006 Rotta D9/611
 7,134,565 B1 11/2006 Wan et al.
 D533,783 S 12/2006 Klinger et al.
 D534,079 S 12/2006 Livingston
 D534,428 S 1/2007 Reed et al.
 D536,262 S 2/2007 Ioannides et al.
 D536,263 S 2/2007 Ioannides et al.
 D536,264 S 2/2007 Ioannides et al.
 D538,645 S 3/2007 McDowell et al.
 D538,646 S 3/2007 McDowell et al.
 D538,660 S 3/2007 Gatewood
 7,198,168 B2 4/2007 Mizuma
 D542,130 S 5/2007 McDowell et al.

D542,650 S 5/2007 McDowell et al.
 D543,845 S 6/2007 Ioannides et al.
 D545,674 S * 7/2007 Miselli et al. D9/416
 D546,183 S 7/2007 Clutter
 7,243,808 B2 7/2007 Livingston et al.
 D549,596 S 8/2007 Ioannides et al.
 D561,470 S * 2/2008 Jalet D3/294
 D562,685 S 2/2008 Millspaw et al.
 D573,414 S * 7/2008 Bellon D7/602
 2001/0002671 A1 6/2001 Heinicke et al.
 2001/0009107 A1 7/2001 Cheng et al.
 2001/0009244 A1 7/2001 Cheng et al.
 2002/0172578 A1 11/2002 Heinicke et al.
 2005/0082299 A1 4/2005 Jenkins
 2006/0131257 A1 6/2006 Gatewood et al.
 2006/0186082 A1 8/2006 Gatewood et al.
 2007/0012648 A1 1/2007 Gatewood
 2007/0068943 A1 3/2007 Ramsey et al.
 2007/0102425 A1 5/2007 Richardson et al.
 2007/0108196 A1 5/2007 Richardson et al.
 2007/0108197 A1 5/2007 Richardson et al.
 2007/0108198 A1 5/2007 Richardson et al.
 2007/0138181 A1 6/2007 Heinicke et al.

FOREIGN PATENT DOCUMENTS

WO DM/046294 10/1998
 WO DM/051799 3/2000

OTHER PUBLICATIONS

U.S. Appl. No. 29/305,877, filed Mar. 28, 2008, Diss et al.
 U.S. Appl. No. 29/305,883, filed Mar. 28, 2008, Diss et al.
 U.S. Appl. No. 29/305,882, filed Mar. 28, 2008, Diss et al.
 U.S. Appl. No. 29/305,878, filed Mar. 28, 2008, Diss et al.
 U.S. Appl. No. 29/302,067, filed Jan. 9, 2008, Millspaw et al.
 U.S. Appl. No. 29/304,271, filed Feb. 27, 2008, Metzger et al.
 U.S. Appl. No. 29/305,881, filed Mar. 28, 2008, Diss et al.
 U.S. Appl. No. 29/305,880, filed Mar. 28, 2008, Diss et al.
 U.S. Appl. No. 29/305,879, filed Mar. 28, 2008, Diss et al.
 U.S. Appl. No. 29/306,261, filed Apr. 4, 2008, VanScoyoc et al.
 U.S. Appl. No. 29/306,263, filed Apr. 4, 2008, Ziegler et al.
 U.S. Appl. No. 29/306,258, filed Apr. 4, 2008, Ziegler.
 U.S. Appl. No. 29/306,257, filed Apr. 4, 2008, Ziegler et al.
 U.S. Appl. No. 29/318,021, filed May 12, 2008, Takata et al.
 U.S. Appl. No. 29/318,022, filed May 12, 2008, Murphy et al.
 U.S. Appl. No. 29/318,023, filed May 12, 2008, Diss.
 U.S. Appl. No. 29/318,024, filed May 12, 2008, Diss.
 U.S. Appl. No. 29/318,025, filed May 12, 2008, Diss.
 U.S. Appl. No. 29/318,026, filed May 12, 2008, Takata et al.
 U.S. Appl. No. 29/318,027, filed May 12, 2008, Diss.
 U.S. Appl. No. 29/318,028, filed May 12, 2008, Murphy et al.
 U.S. Appl. No. 29/318,029, filed May 12, 2008, Takata et al.
 U.S. Appl. No. 29/318,030, filed May 12, 2008, Murphy et al.
 U.S. Appl. No. 29/318,031, filed May 12, 2008, Murphy et al.
 U.S. Appl. No. 29/318,033, filed May 12, 2008, Murphy et al.
 U.S. Appl. No. 29/318,036, filed May 12, 2008, Murphy et al.
 U.S. Appl. No. 29/318,041, filed May 12, 2008, Takata et al.
 "The Revolutionary Stretching Technology" brochure, believed to be available by 2001 at www.canstretch.com, 1 page.
 "Stretch Machine" brochure, believed to be available by 2001 at www.canstretch.com, 1 page.
 Photograph of Six Cans, believed to be available by 2001 at www.canstretch.com, 1 page.

* cited by examiner

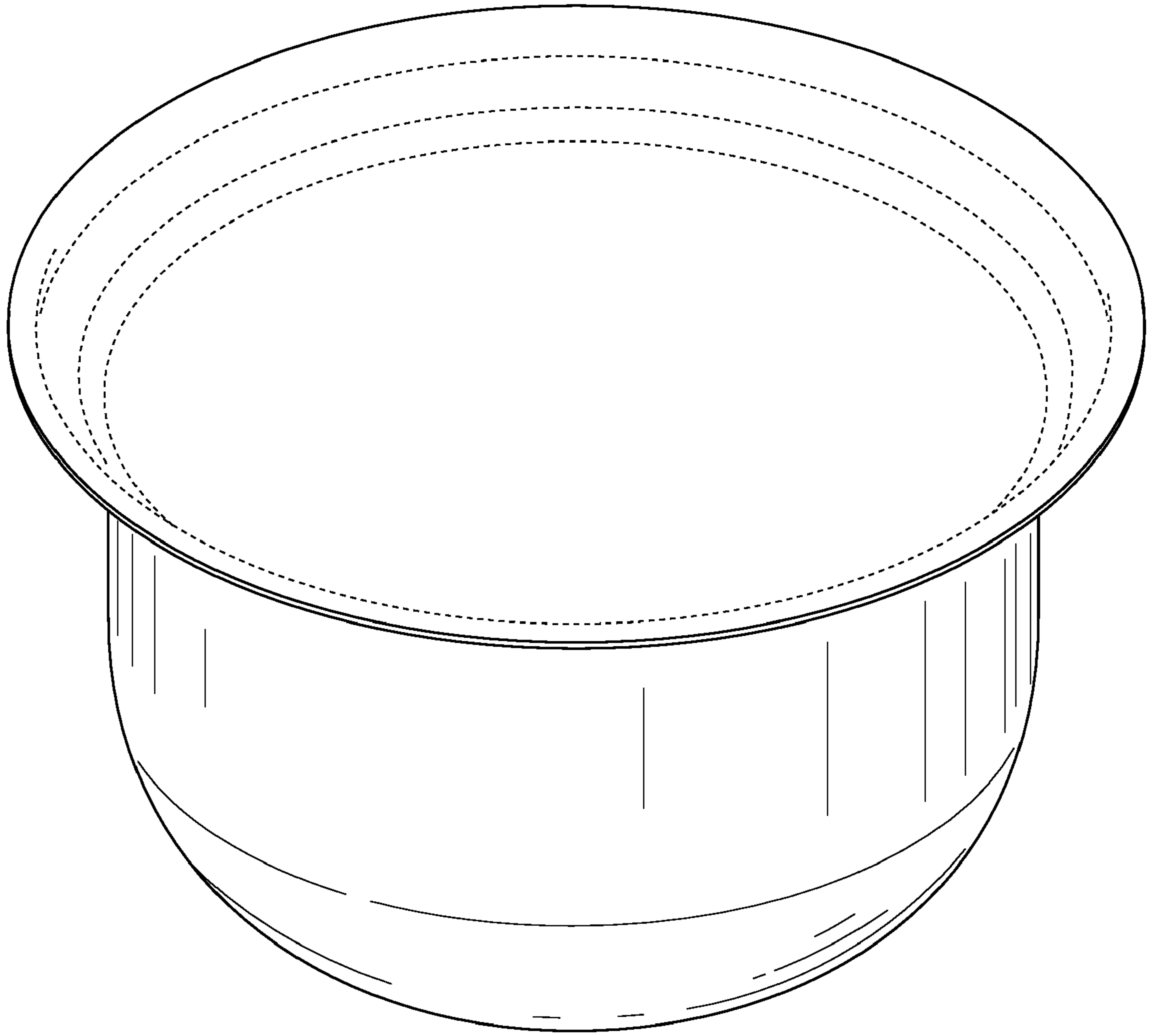


FIG. 1

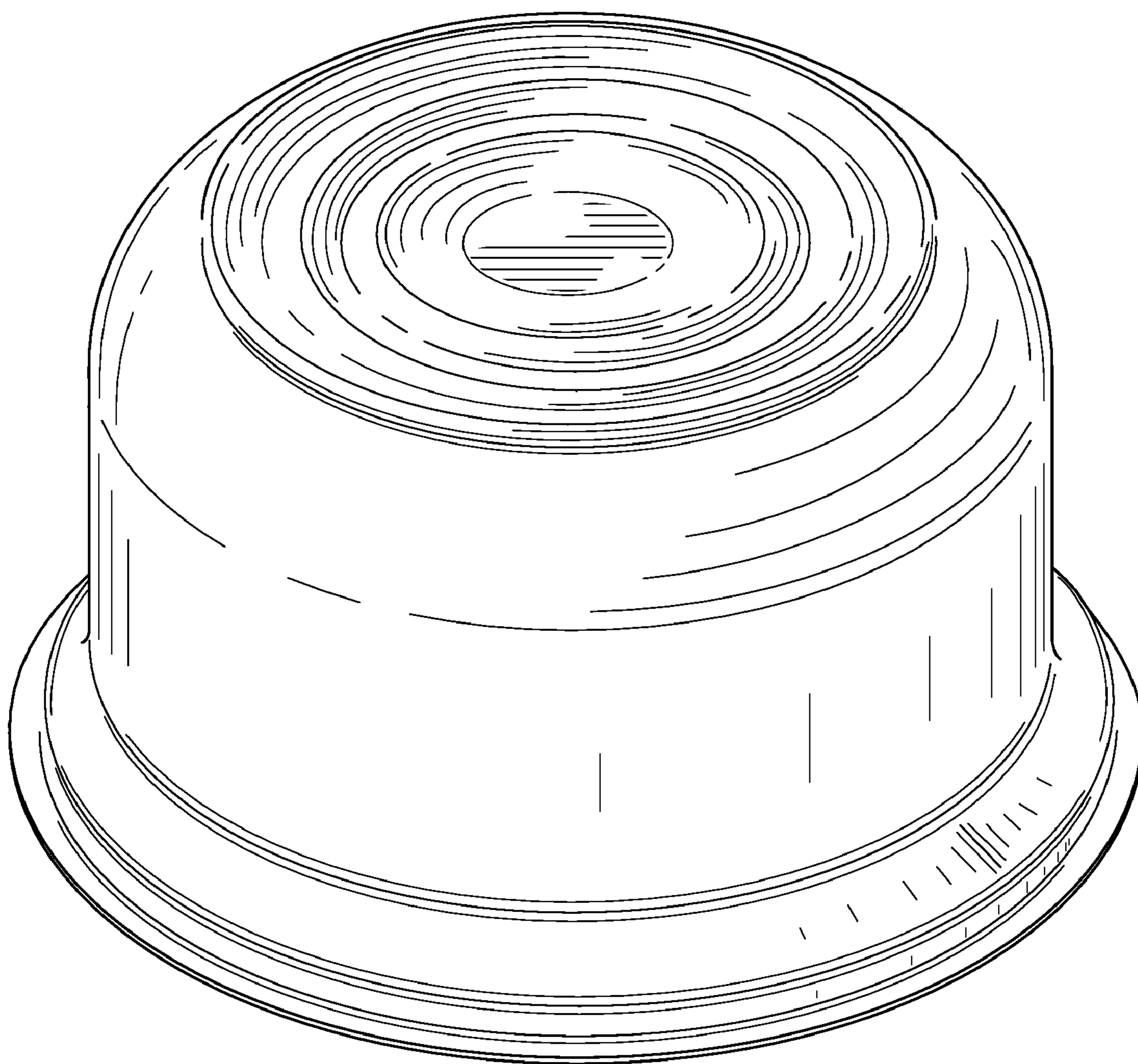


FIG. 2

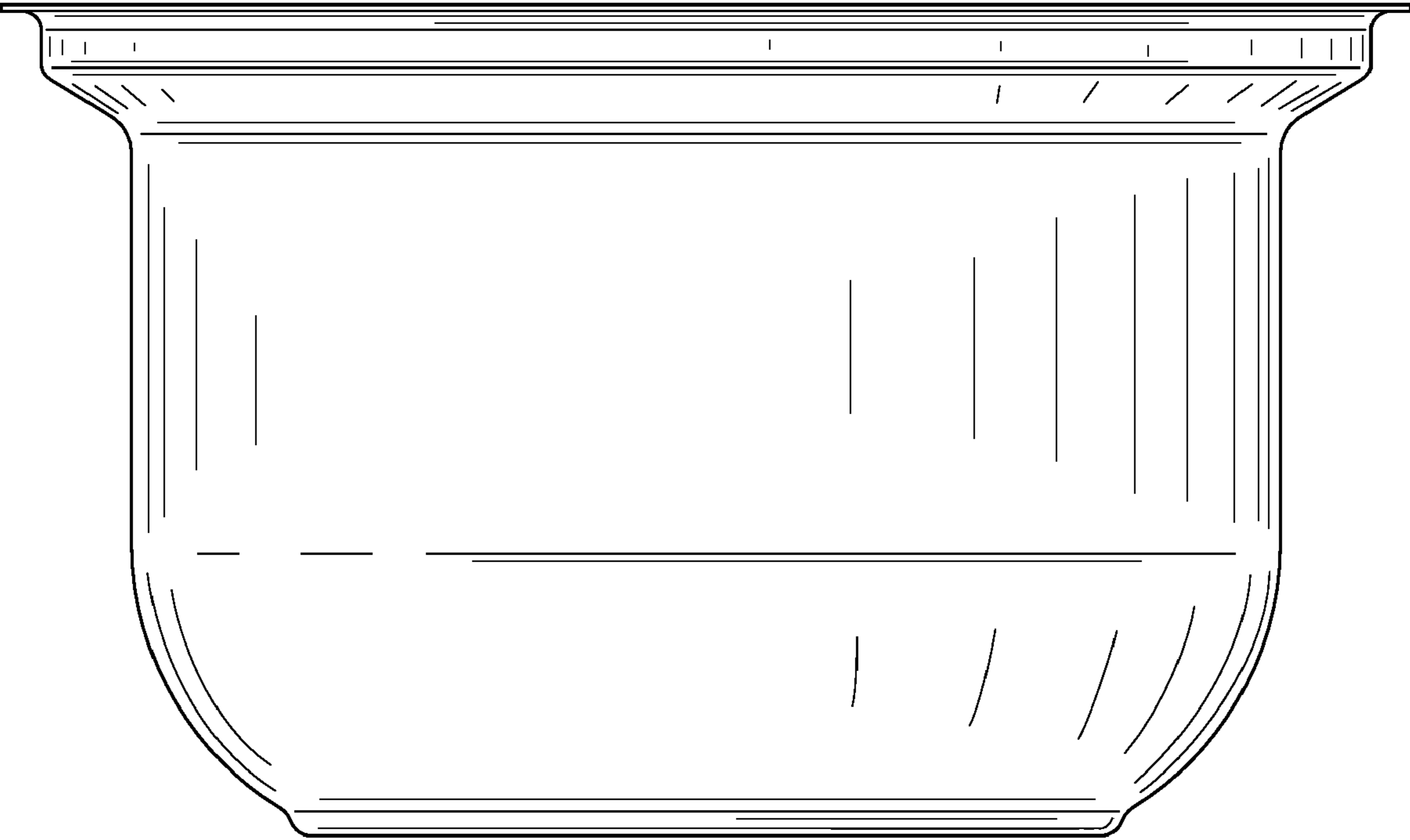


FIG. 3

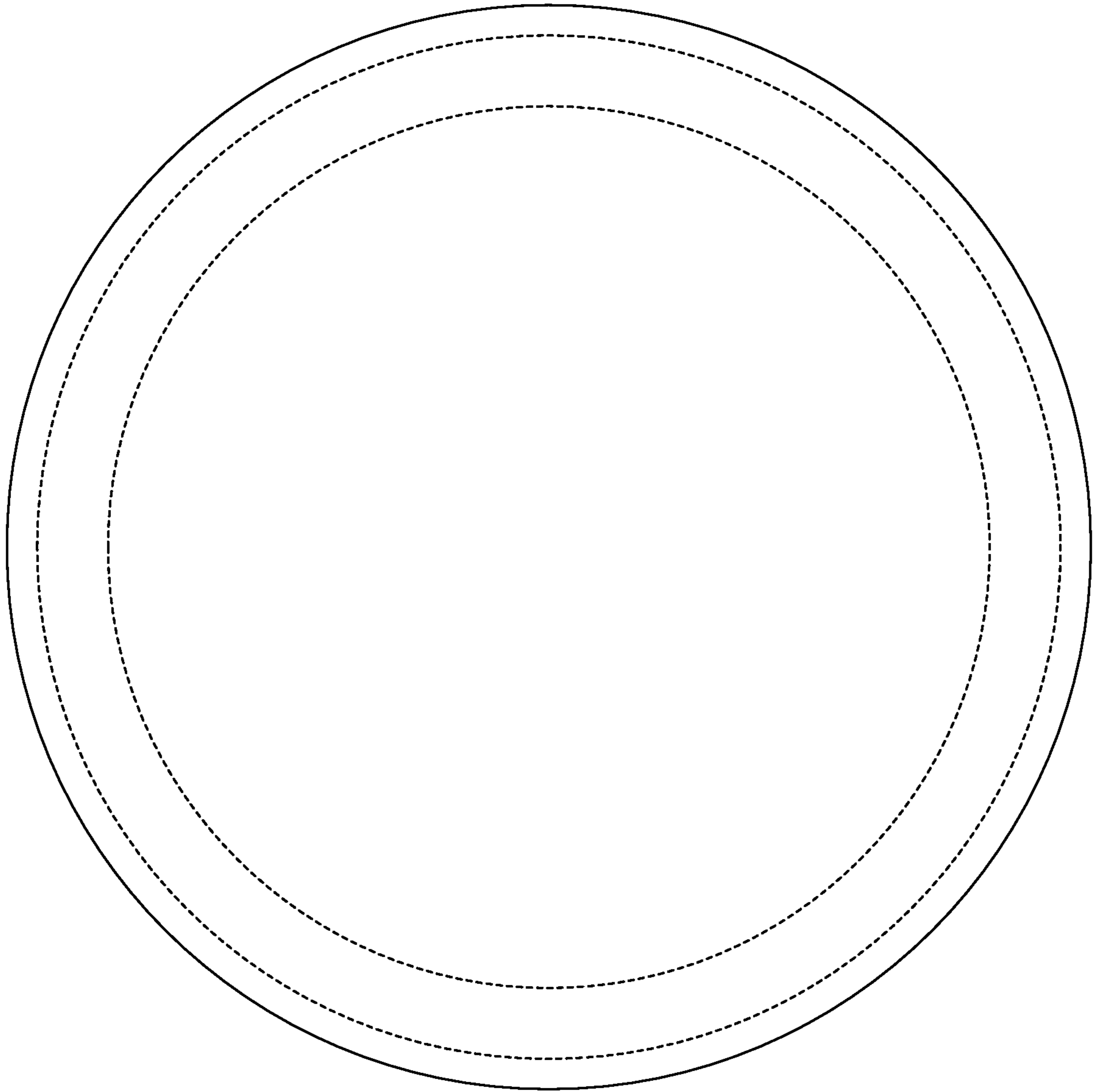


FIG. 4

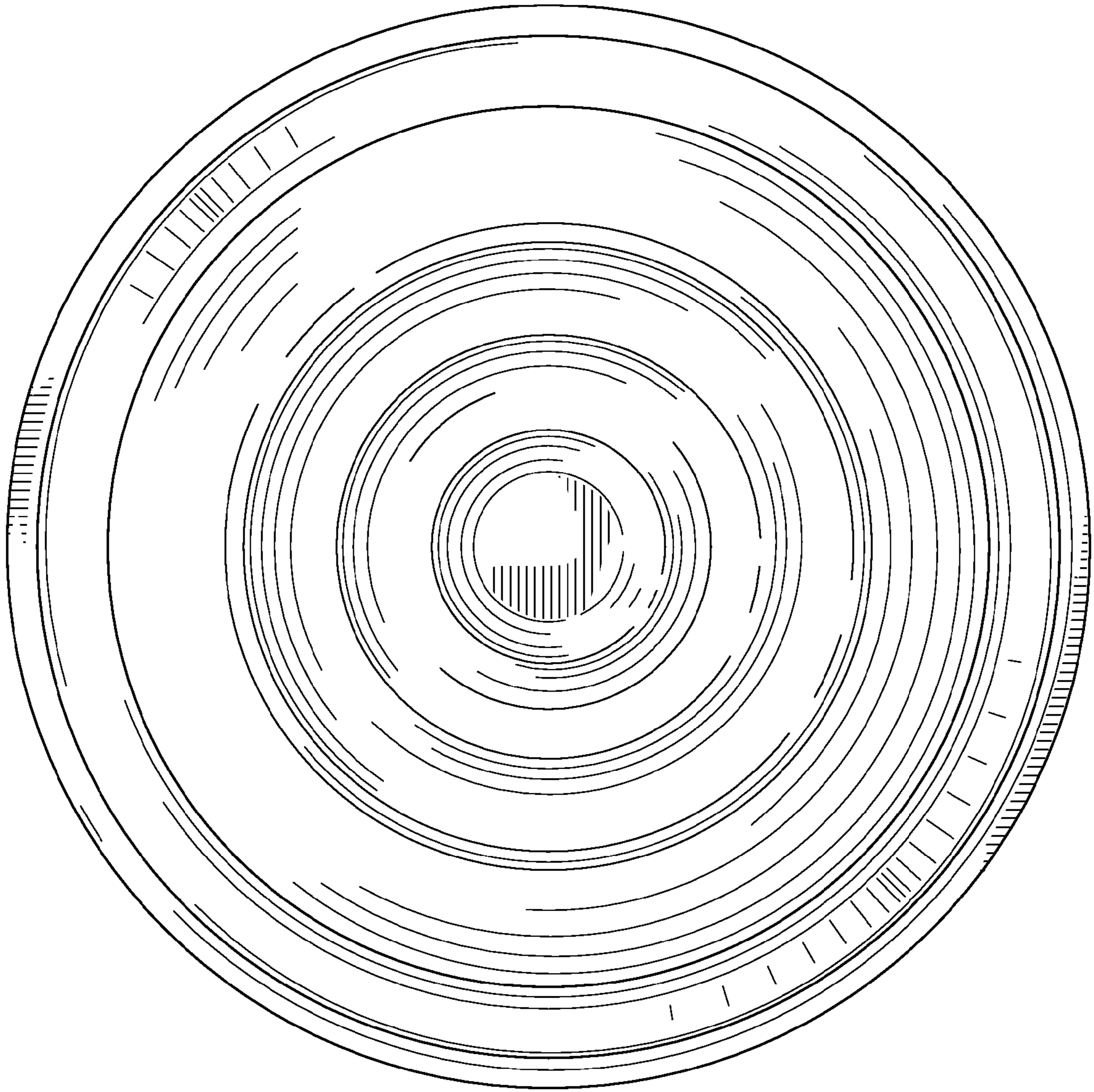


FIG. 5