



US00D612729S

(12) **United States Design Patent**
Lohrman et al.

(10) **Patent No.:** **US D612,729 S**
(45) **Date of Patent:** **** Mar. 30, 2010**

(54) **DISPENSING CLOSURE**

(57) **CLAIM**

(75) Inventors: **Richard D. Lohrman**, Aurora, IL (US);
Mike Xiaoli Ma, San Jose, CA (US);
Limin Zhang, Shanghai (CN)

The ornamental design for a dispensing closure, as shown and described.

(73) Assignee: **Portola Packaging, Inc.**, Batavia, IL (US)

DESCRIPTION

(**) Term: **14 Years**

(21) Appl. No.: **29/344,607**

(22) Filed: **Oct. 1, 2009**

Related U.S. Application Data

(63) Continuation-in-part of application No. 29/336,076, filed on Apr. 28, 2009.

(51) **LOC (9) Cl.** **09-07**

(52) **U.S. Cl.** **D9/449**

(58) **Field of Classification Search** D9/556,
D9/529, 454, 453, 452, 449, 443, 439, 504,
D9/450, 447, 446; D8/312; D7/392.1; D23/261;
D14/217; D12/197; 229/123.1; 222/541.2,
222/575, 566, 556, 552, 519, 494, 480, 479,
222/212; 220/288, 810, 781; 215/350, 344,
215/295, 270, 256, 252, 218, 216, 209, 206,
215/235, 236

See application file for complete search history.

(56) **References Cited**

U.S. PATENT DOCUMENTS

D424,422 S * 5/2000 Landhed D9/521
D525,136 S * 7/2006 Bakic D9/529
D547,184 S * 7/2007 Kim et al. D9/449

(Continued)

Primary Examiner—Susan Bennett Hattan

(74) *Attorney, Agent, or Firm*—James P. Hanrath; Adam K. Sacharoff

FIG. 1 is a perspective view of a dispensing closure in accordance with the invention shown with a top lid in the closed position;

FIG. 2 is a front view of the dispensing closure from FIG. 1;

FIG. 3 is a back view of the dispensing closure from FIG. 1;

FIG. 4 is a right side view of the dispensing closure from FIG. 1;

FIG. 5 is a left side view of the dispensing closure from FIG. 1;

FIG. 6 is a top view of the dispensing closure from FIG. 1; and

FIG. 7 is a bottom view of the dispensing closure from FIG. 1.

FIG. 8 is a perspective view of the dispensing closure of FIG. 1 shown with the top lid in the opened position;

FIG. 9 is a front view of the dispensing closure from FIG. 8;

FIG. 10 is a back view of the dispensing closure from FIG. 8;

FIG. 11 is a right side view of the dispensing closure from FIG. 8;

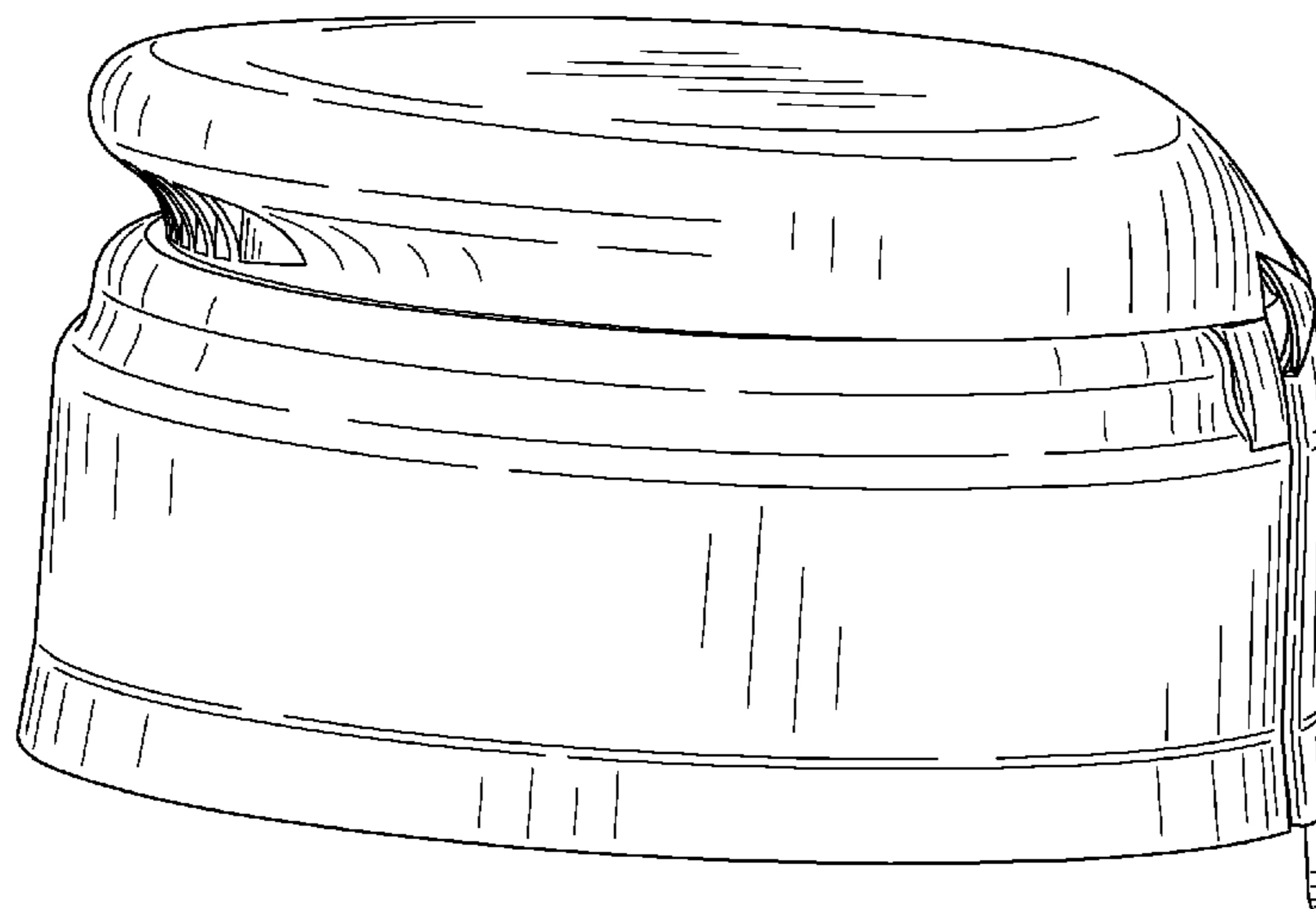
FIG. 12 is a left side view of the dispensing closure from FIG. 8;

FIG. 13 is a top view of the dispensing closure from FIG. 8; and

FIG. 14 is a bottom view of the dispensing closure from FIG. 8; and,

FIG. 15 is a cross section view of the dispensing closure from FIG. 8.

1 Claim, 12 Drawing Sheets



US D612,729 S

Page 2

U.S. PATENT DOCUMENTS

D574,712 S	*	8/2008	Bakic	D9/529	
D582,772 S	*	12/2008	Bakic	D9/449	* cited by examiner
						D588,915 S * 3/2009 Lohrman et al. D9/449

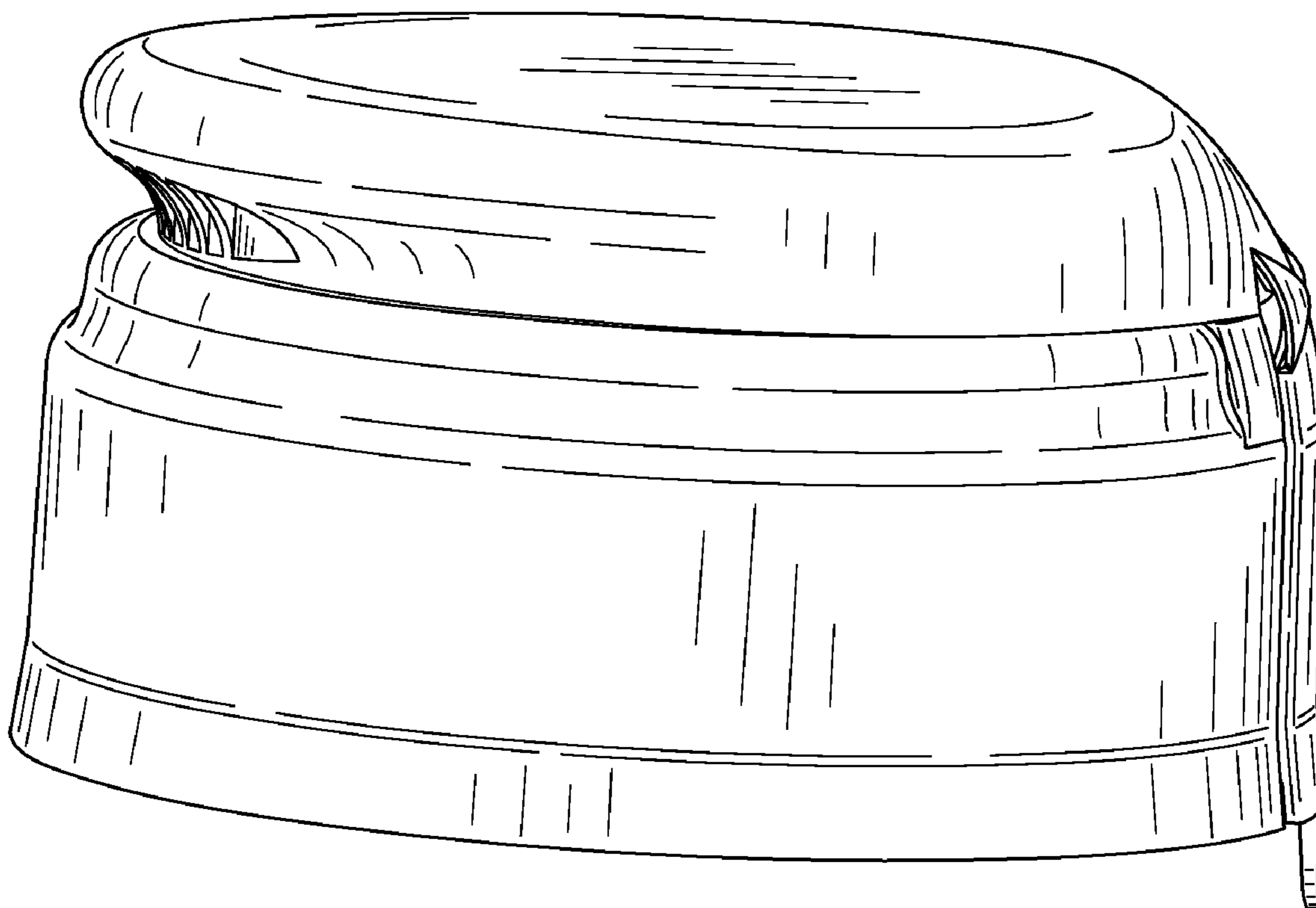


FIG. 1

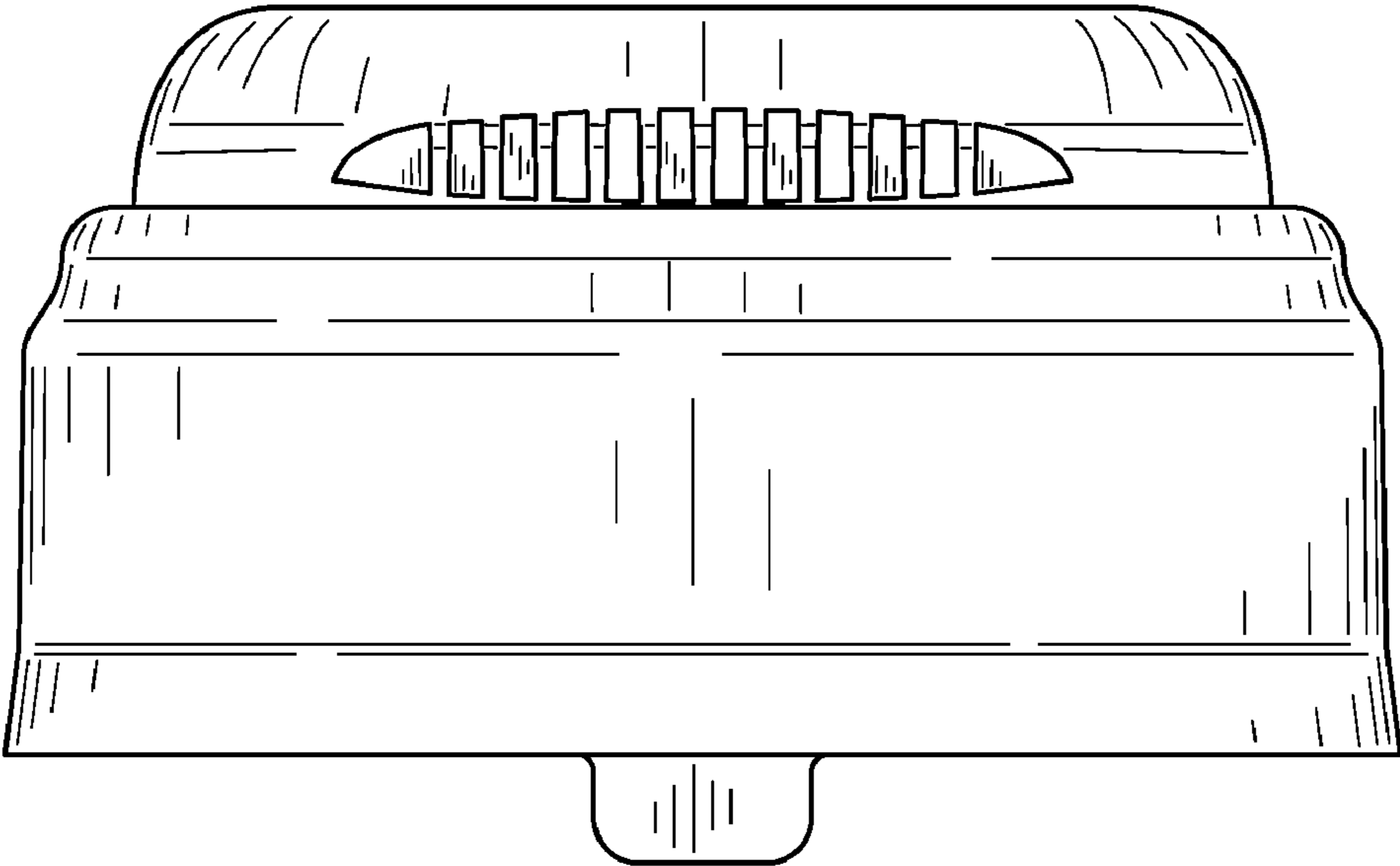


FIG. 2

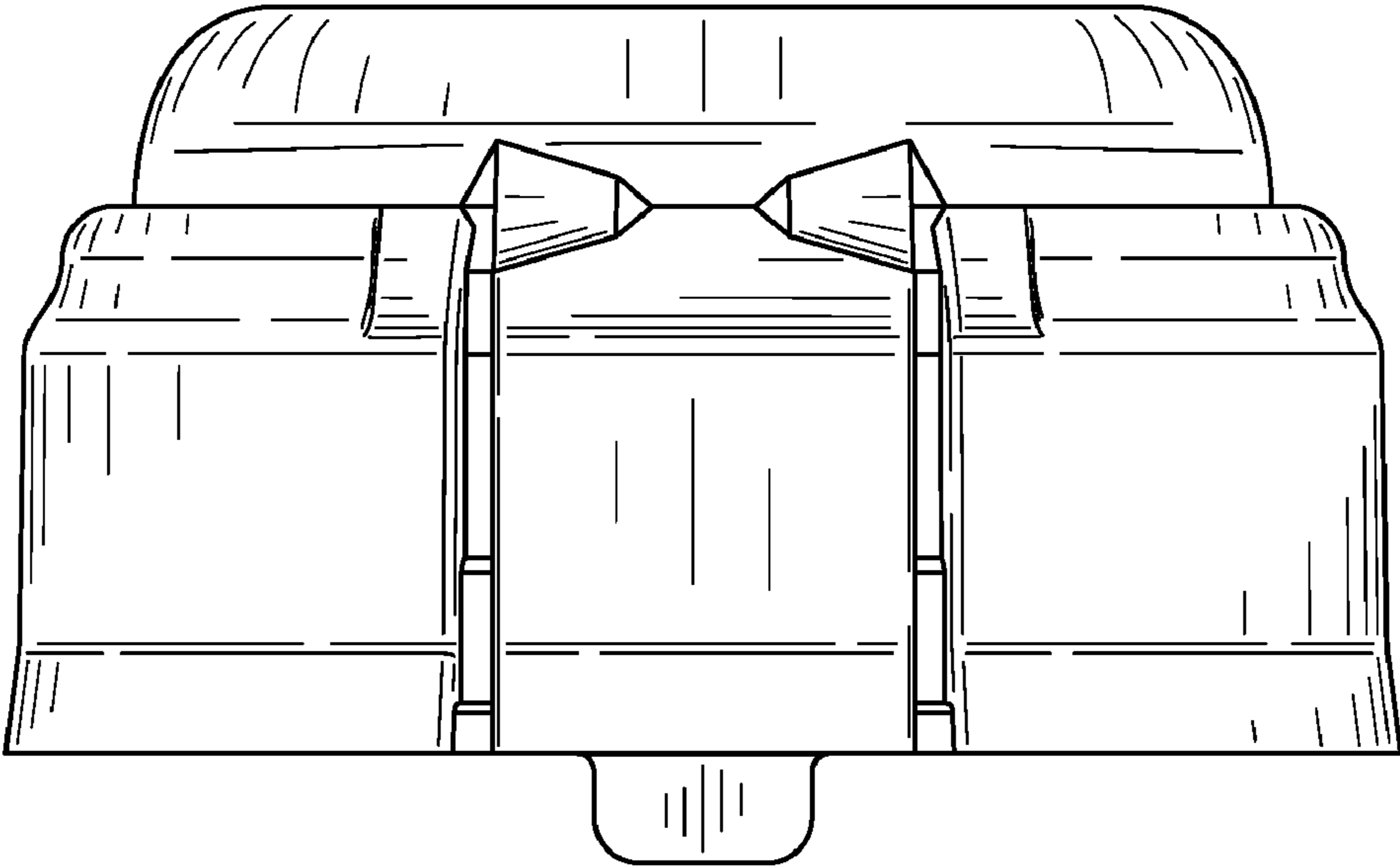


FIG. 3

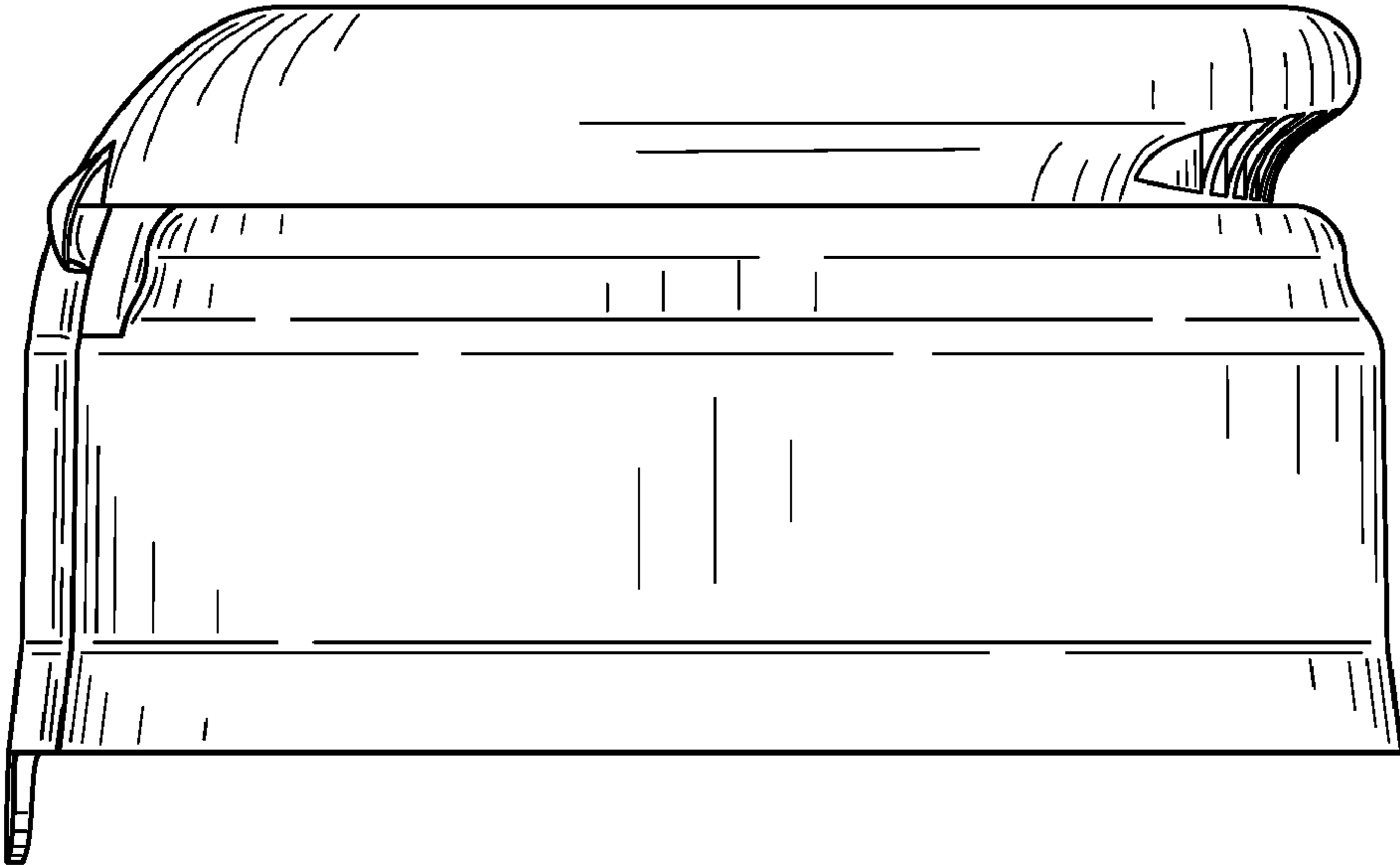


FIG. 4

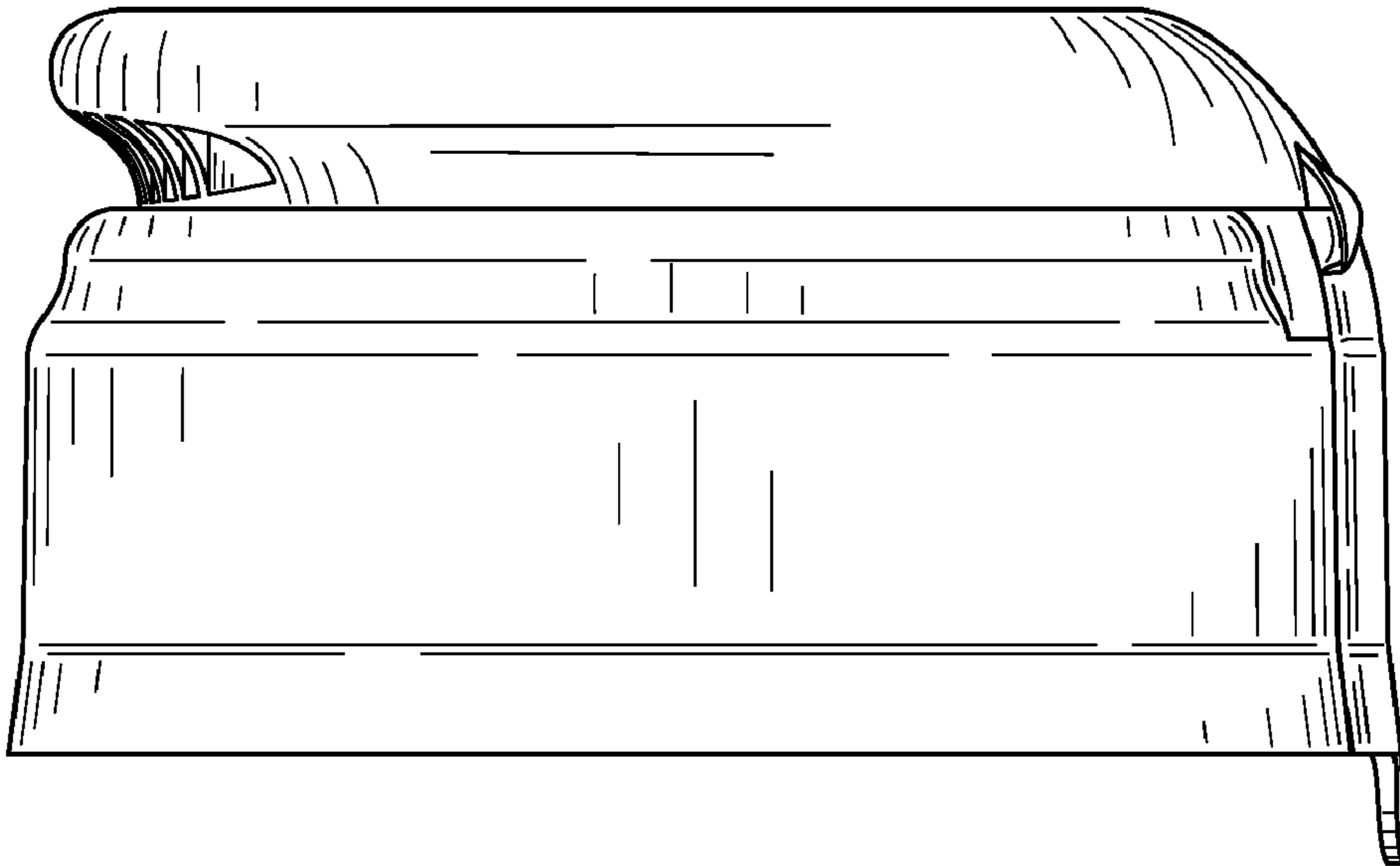


FIG. 5

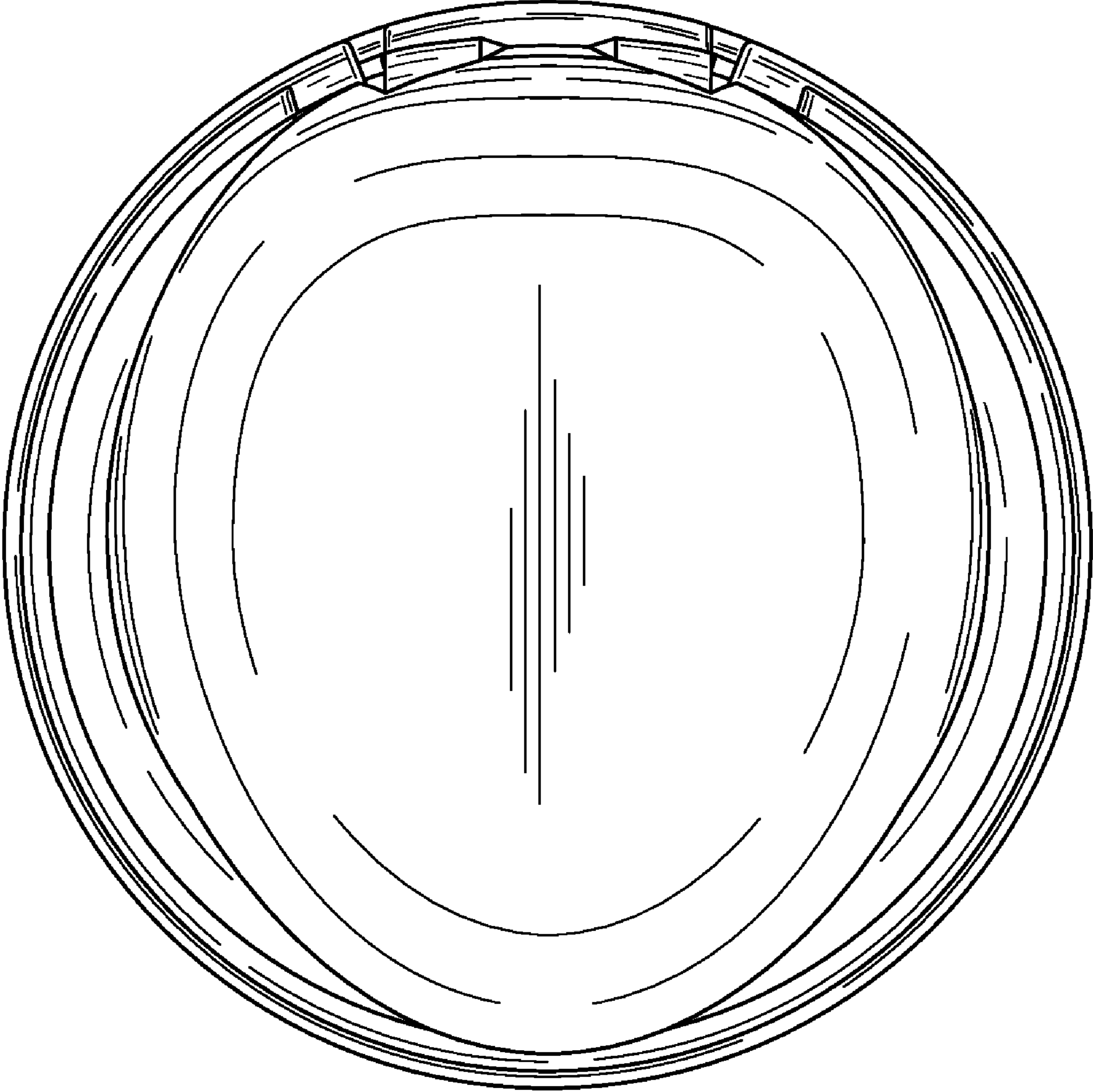


FIG. 6

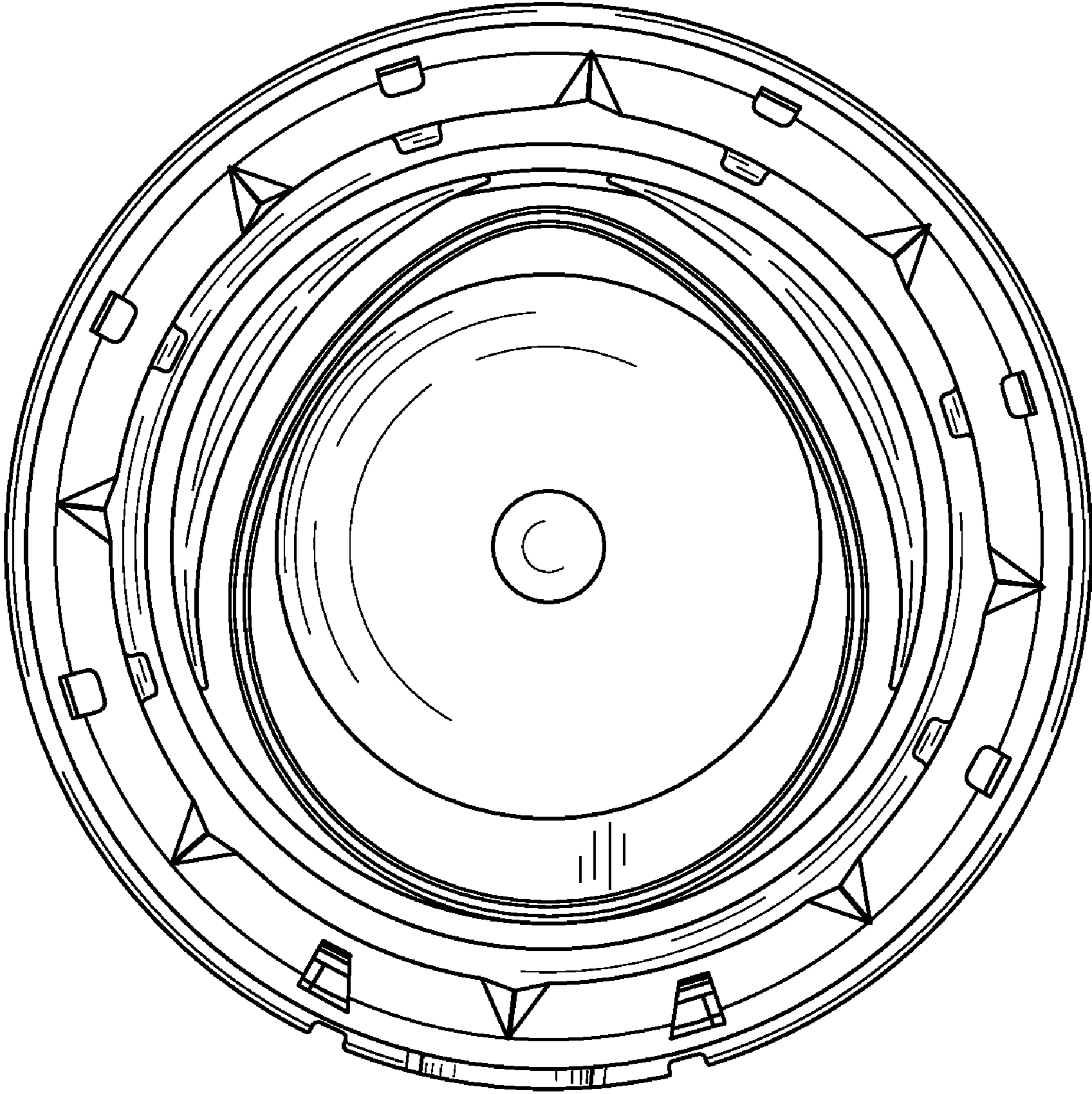


FIG. 7

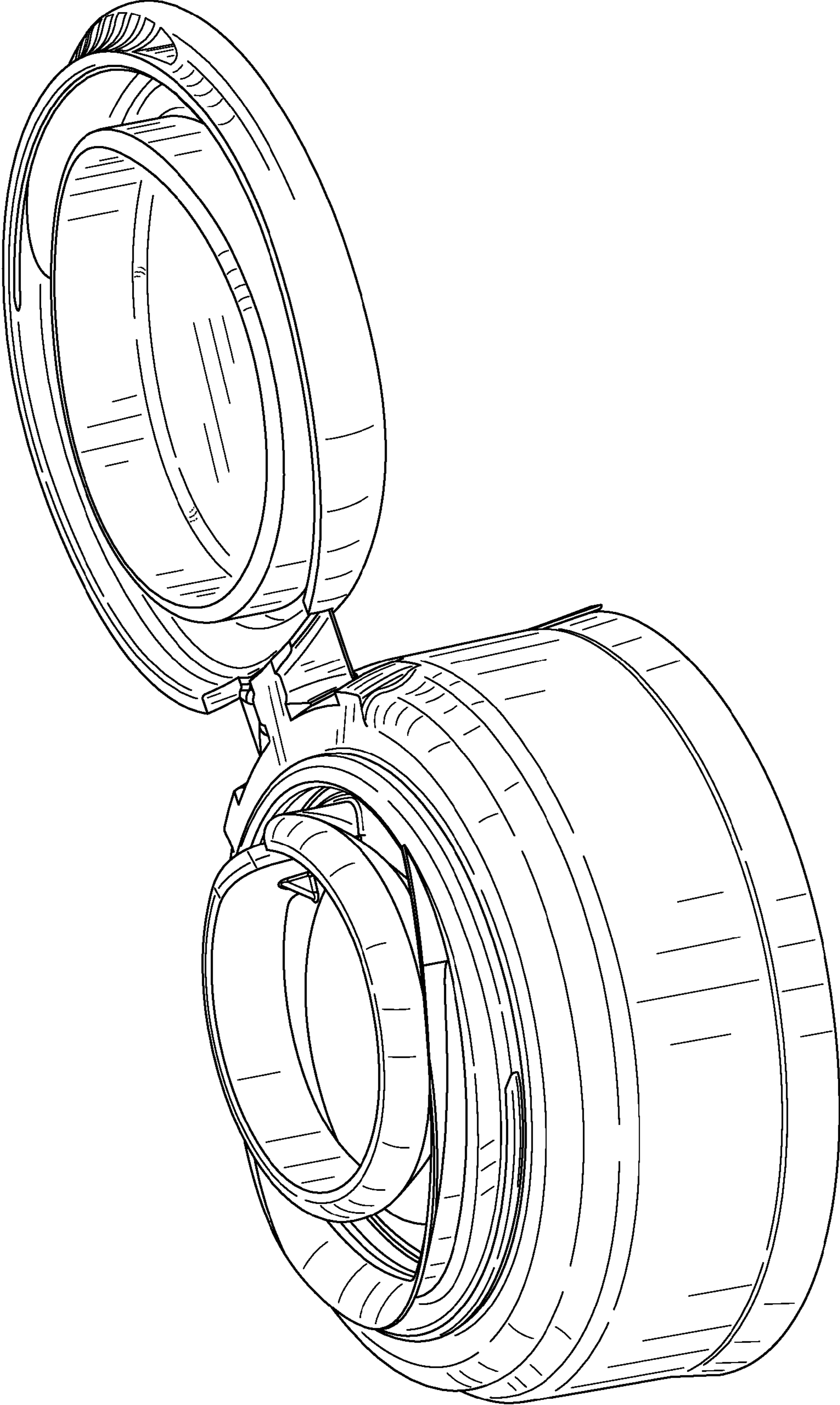


FIG. 8

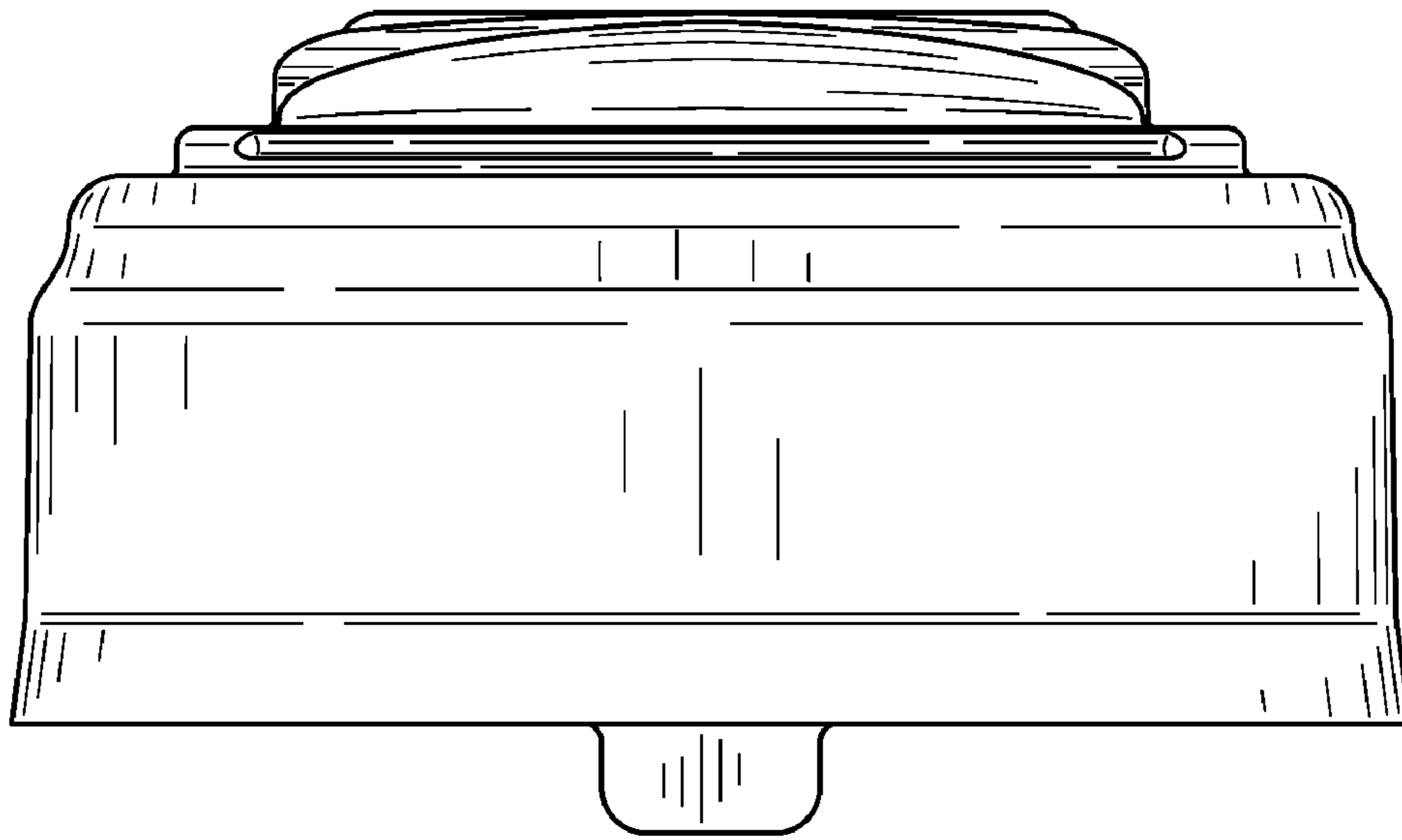


FIG. 9

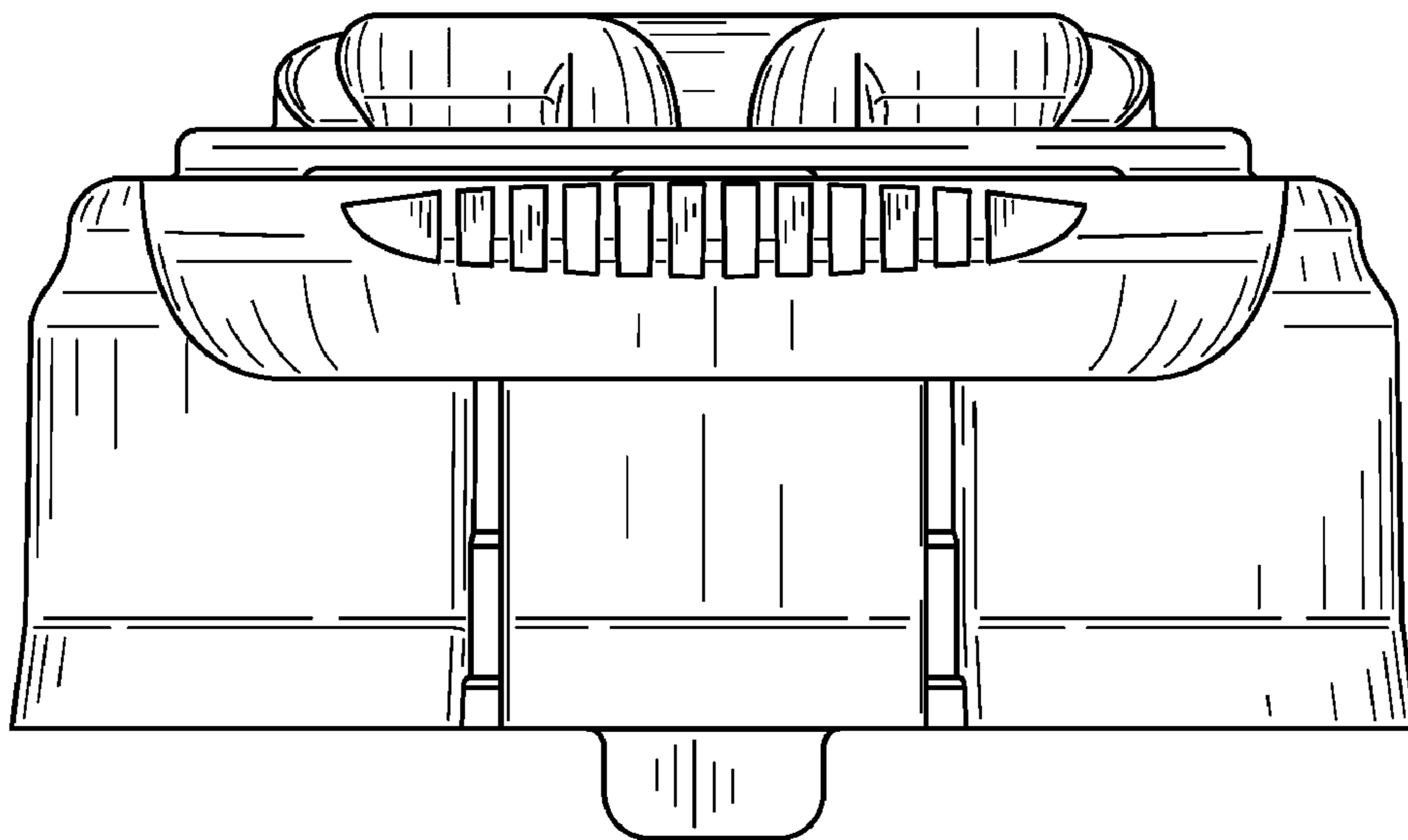


FIG. 10

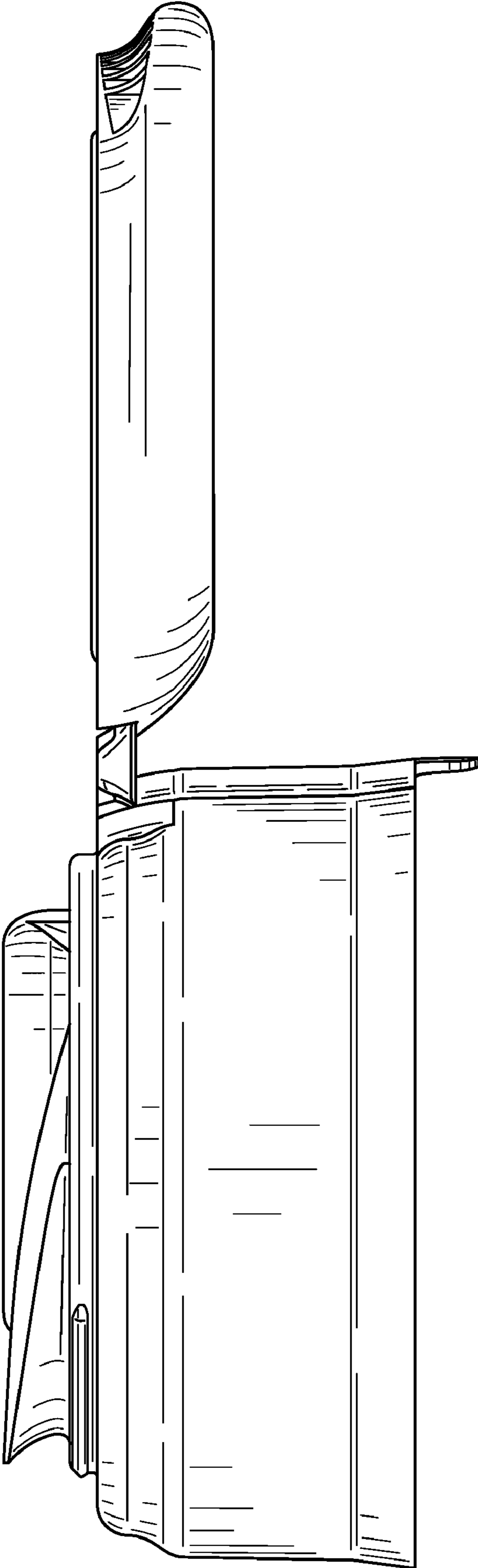


FIG. 11

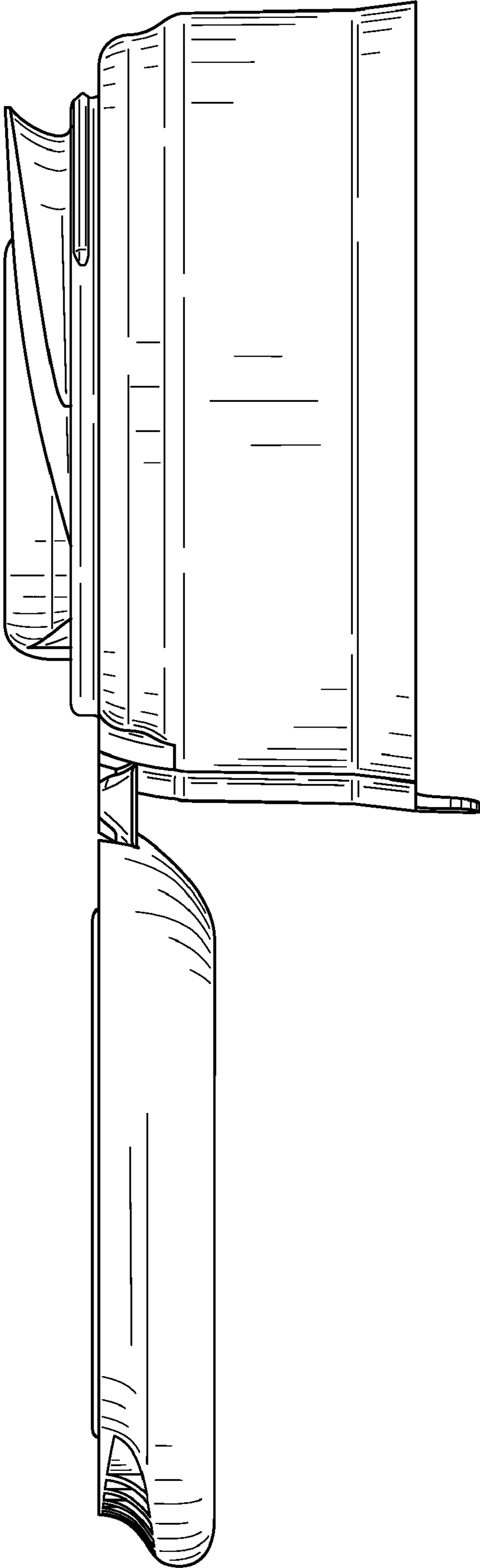


FIG. 12

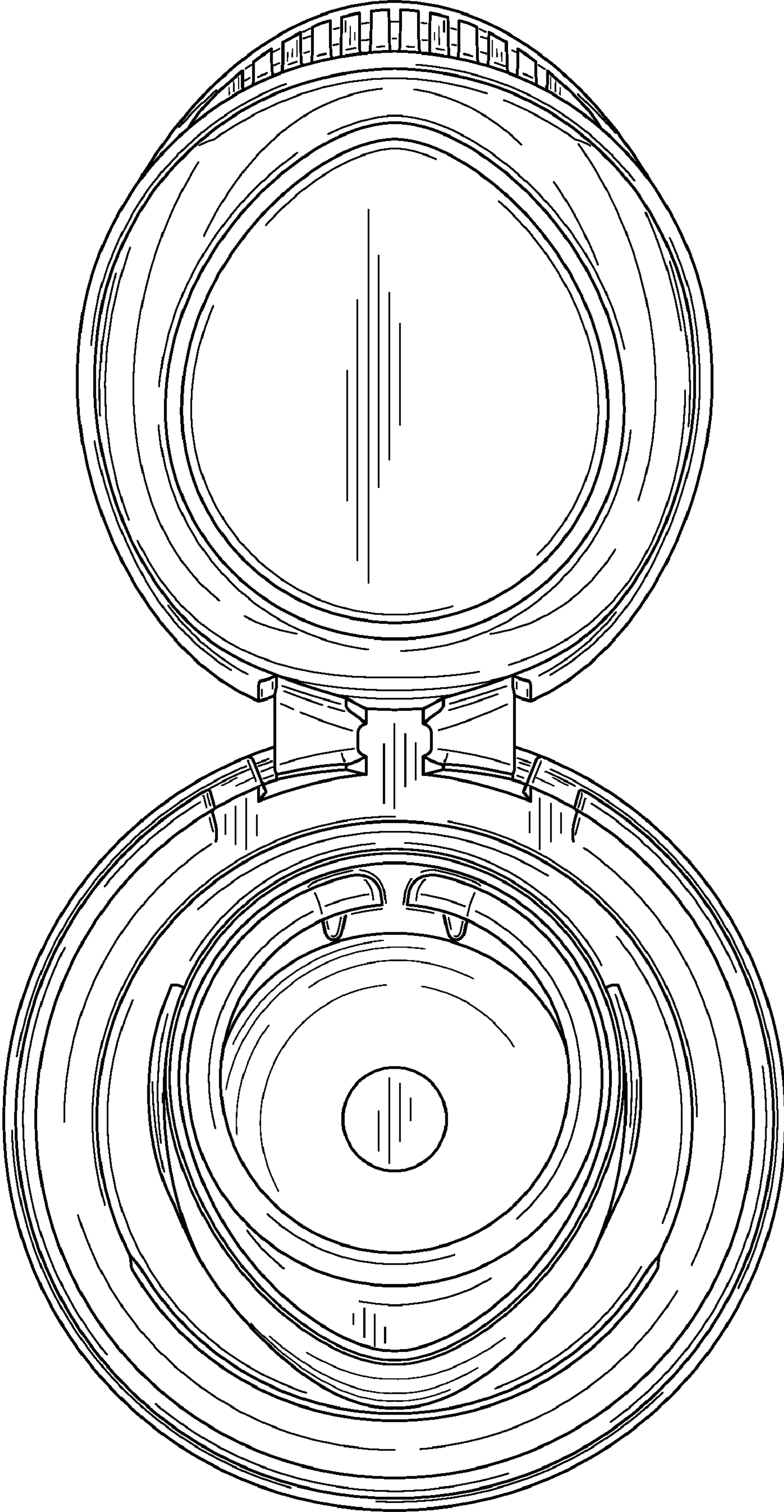


FIG. 13

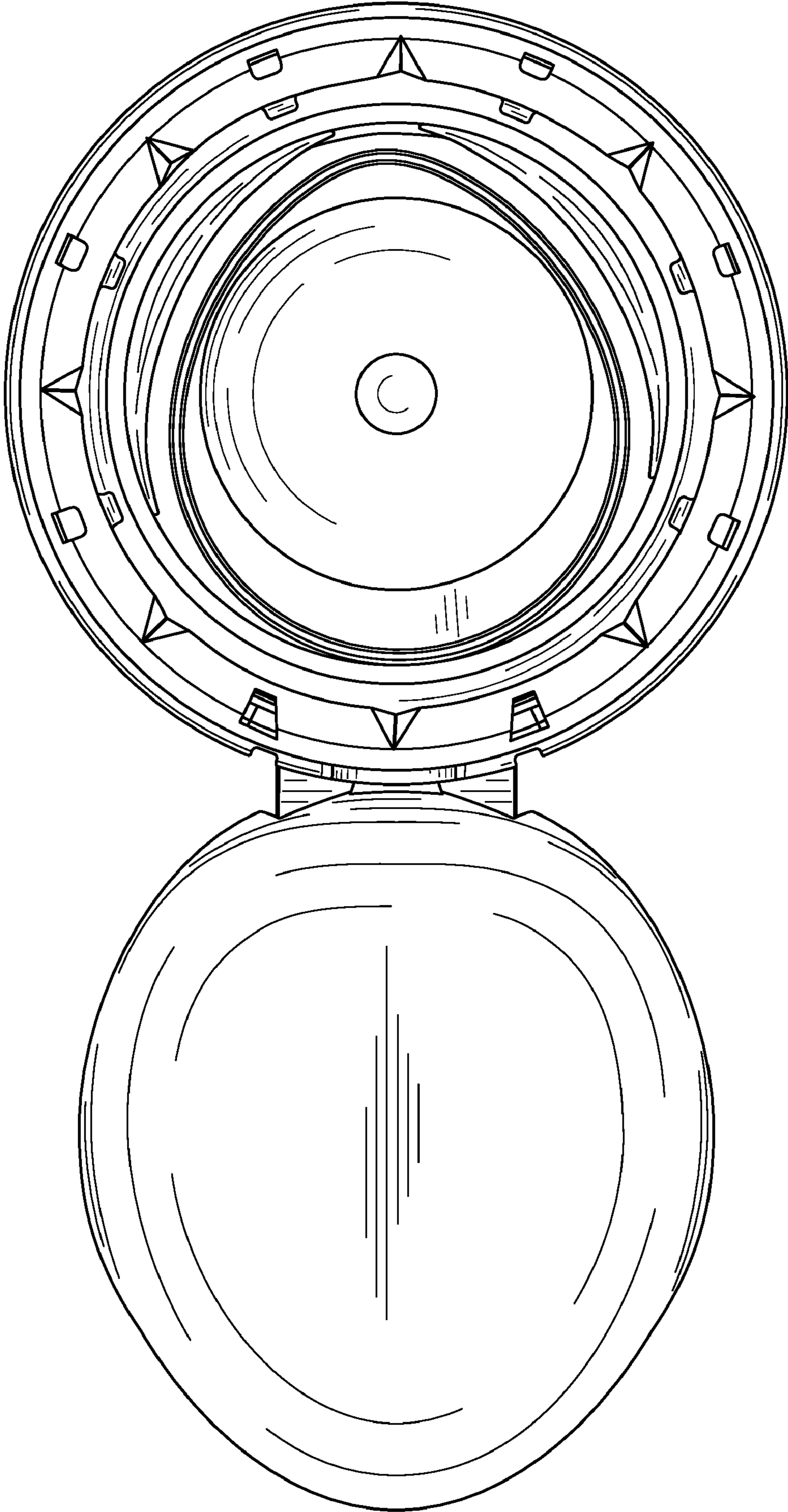


FIG. 14

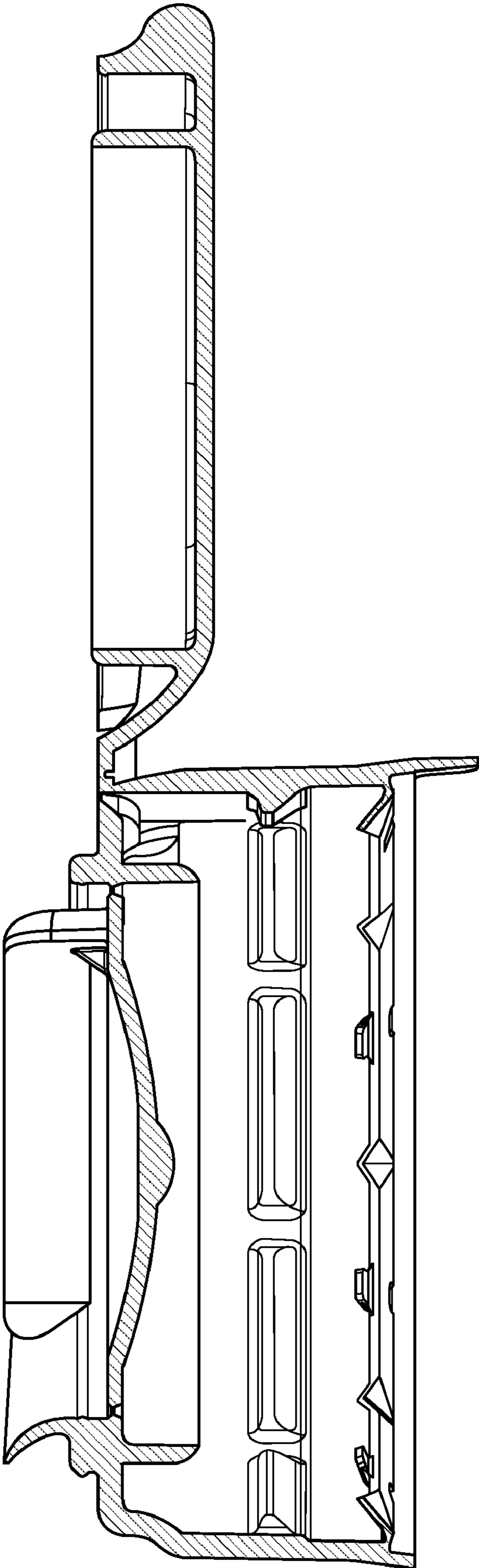


FIG. 15