



US00D612723S

(12) **United States Design Patent**
Bougoulas et al.

(10) **Patent No.:** **US D612,723 S**
(45) **Date of Patent:** **** Mar. 30, 2010**

(54) **COMESTIBLE PACKAGE LID**

D493,617 S 8/2004 Armato
7,124,909 B1 * 10/2006 Armato 220/836
D561,995 S * 2/2008 Poole D3/294

(75) Inventors: **James A. Bougoulas**, Chicago, IL (US);
Kristy L. Stojek, Chicago, IL (US)

OTHER PUBLICATIONS

(73) Assignee: **Wm. Wrigley Jr. Company**, Chicago, IL (US)

WM. Wrigley Jr. Company, Eclipse Mint Tin, Oct. 1, 2008.

(**) Term: **14 Years**

* cited by examiner

(21) Appl. No.: **29/334,555**

Primary Examiner—Susan Bennett Hattan

(22) Filed: **Mar. 27, 2009**

(74) *Attorney, Agent, or Firm*—Vincent S. Egolf; Wm. Wrigley Jr. Company

(51) **LOC (9) Cl.** **09-07**

(57) **CLAIM**

(52) **U.S. Cl.** **D9/435**

The ornamental design for a comestible package lid, as shown and described.

(58) **Field of Classification Search** D9/907,
D9/697, 696, 695, 530, 454, 453, 445, 444,
D9/443, 442, 439, 438, 436, 435, 434, 415;
D7/536, 535, 533, 511, 396.2, 391; D3/326,
D3/318, 302, 294; 222/568, 567, 566, 376,
222/288, 214, 212.5; 215/356, 329, 305,
215/228, 11.1

DESCRIPTION

See application file for complete search history.

FIG. 1 is a perspective view of a comestible package lid, showing our new design;

FIG. 2 is a front view thereof;

FIG. 3 is a rear view thereof;

FIG. 4 is a left view thereof;

FIG. 5 is a right view thereof;

FIG. 6 is a top view thereof; and,

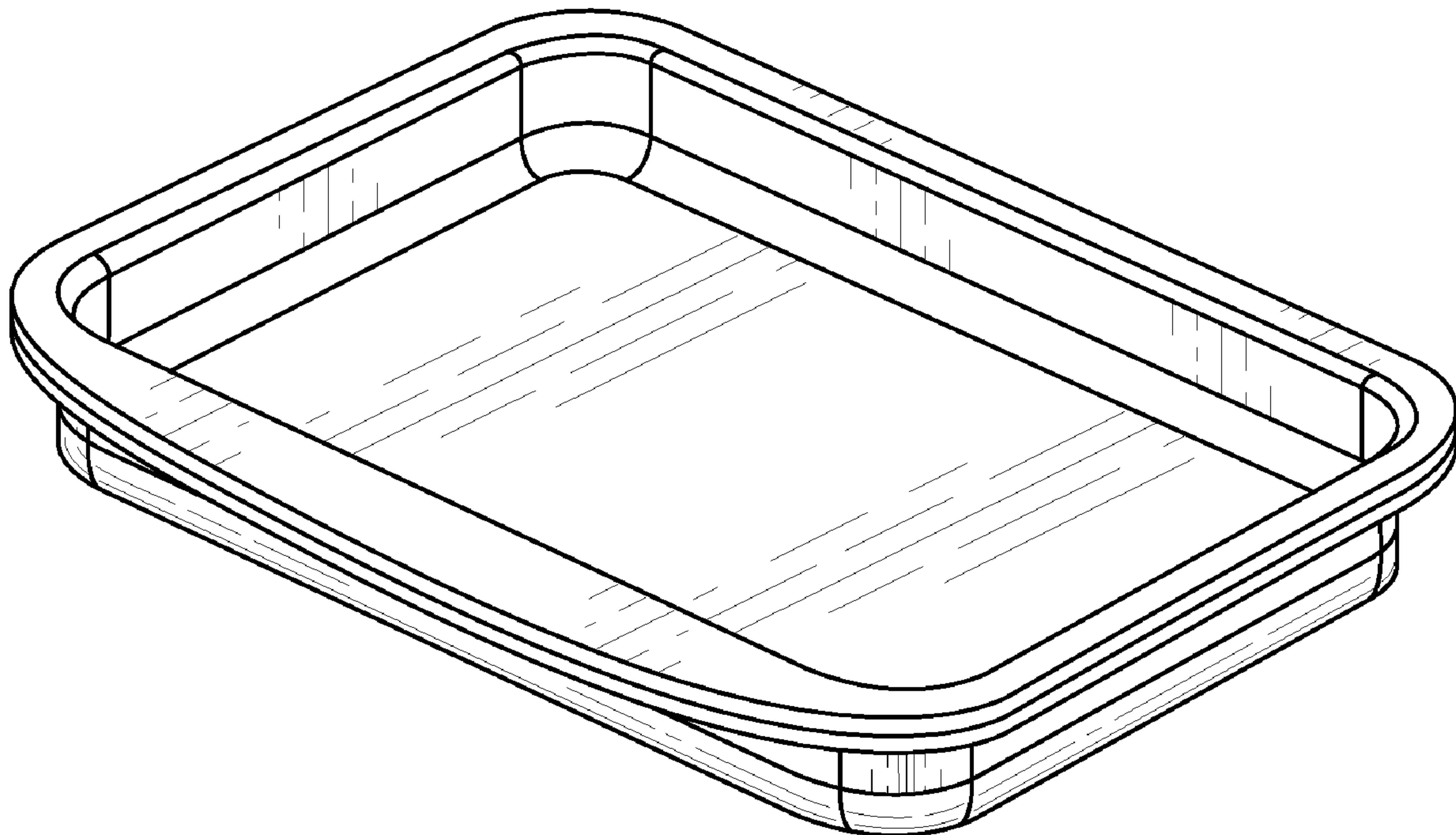
FIG. 7 is a bottom view thereof.

(56) **References Cited**

U.S. PATENT DOCUMENTS

2,117,228 A 5/1938 Stuchbery
D262,839 S * 2/1982 Daenen et al. D3/302
D417,077 S * 11/1999 Sheu D3/294

1 Claim, 3 Drawing Sheets



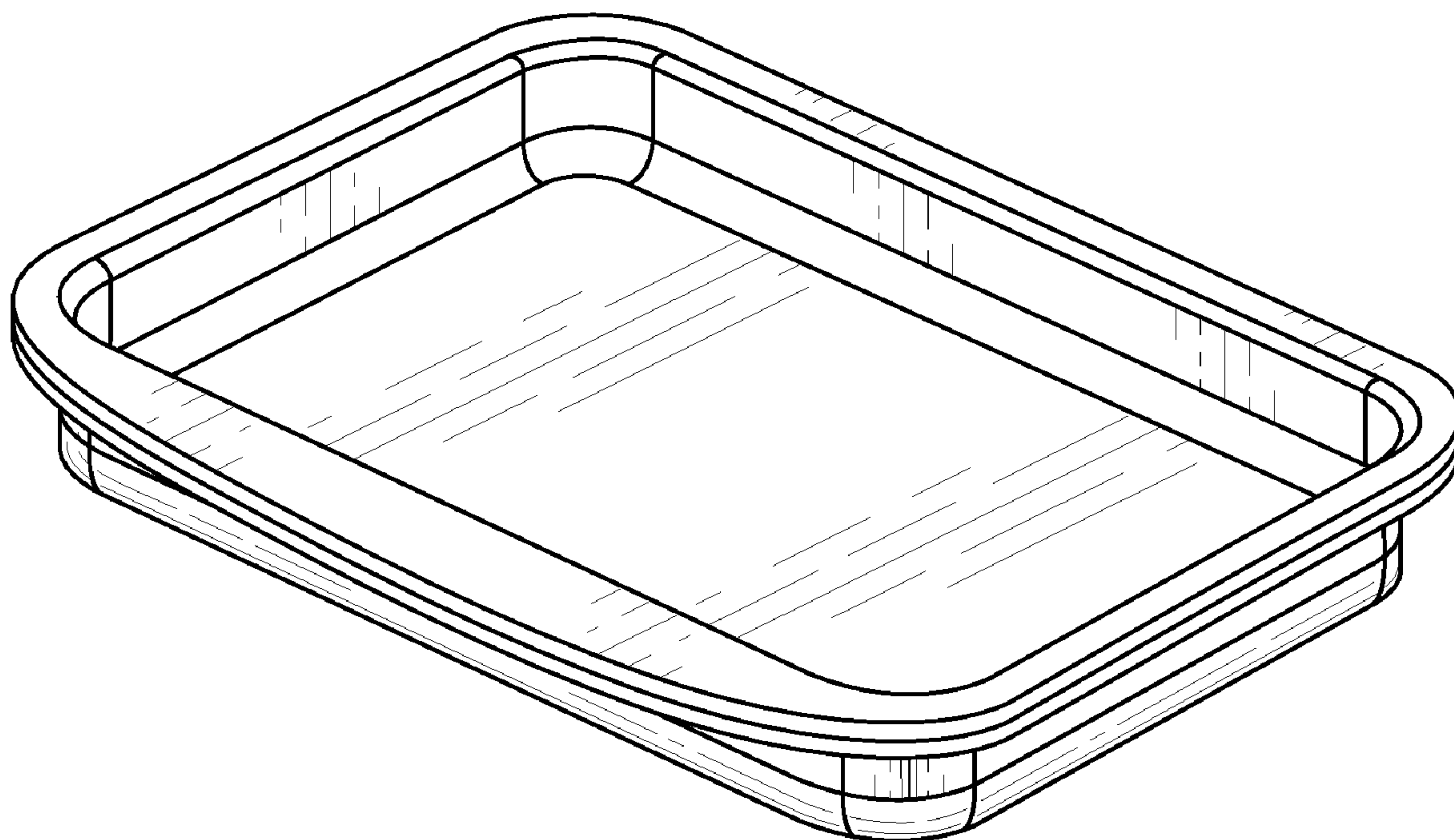


FIG. 1

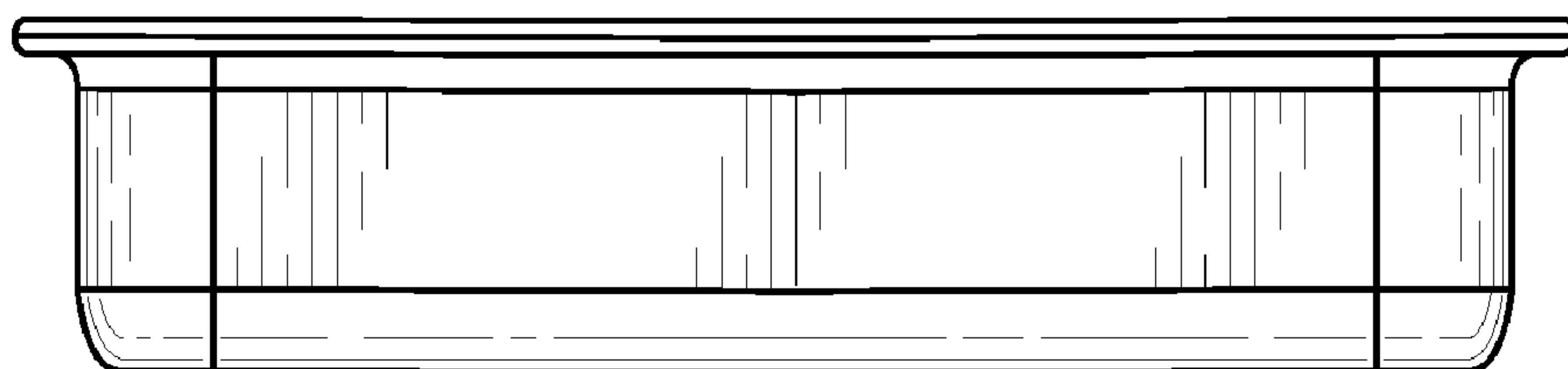


FIG. 2

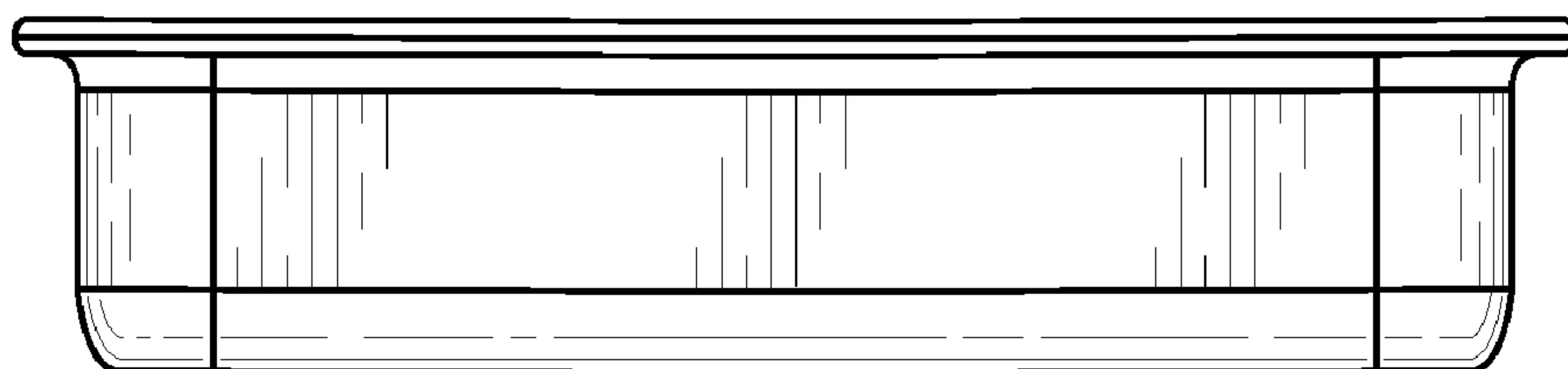


FIG. 3

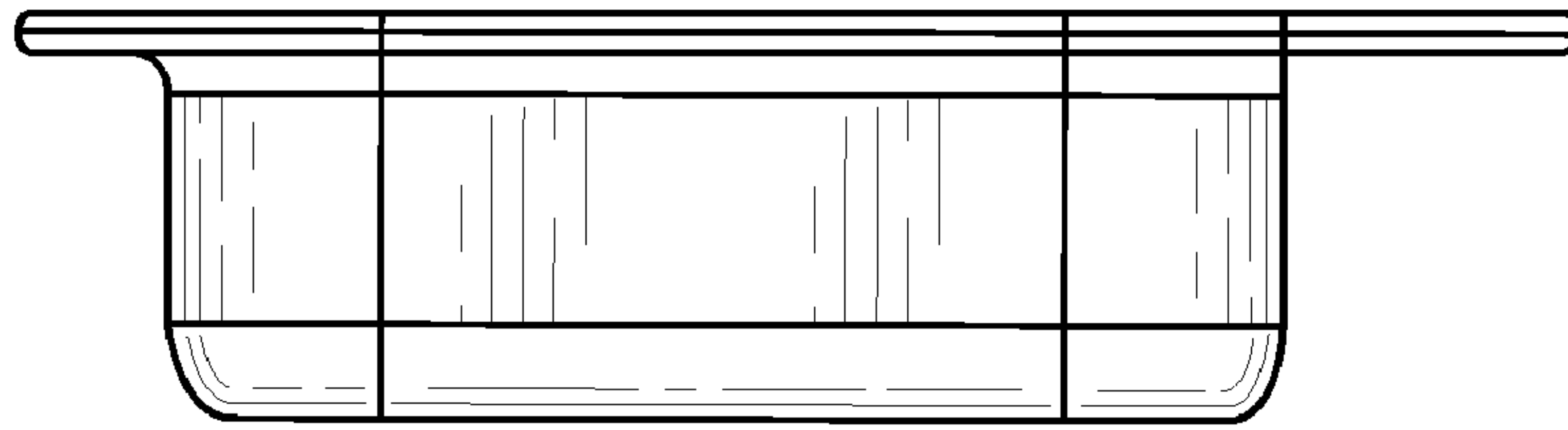


FIG. 4

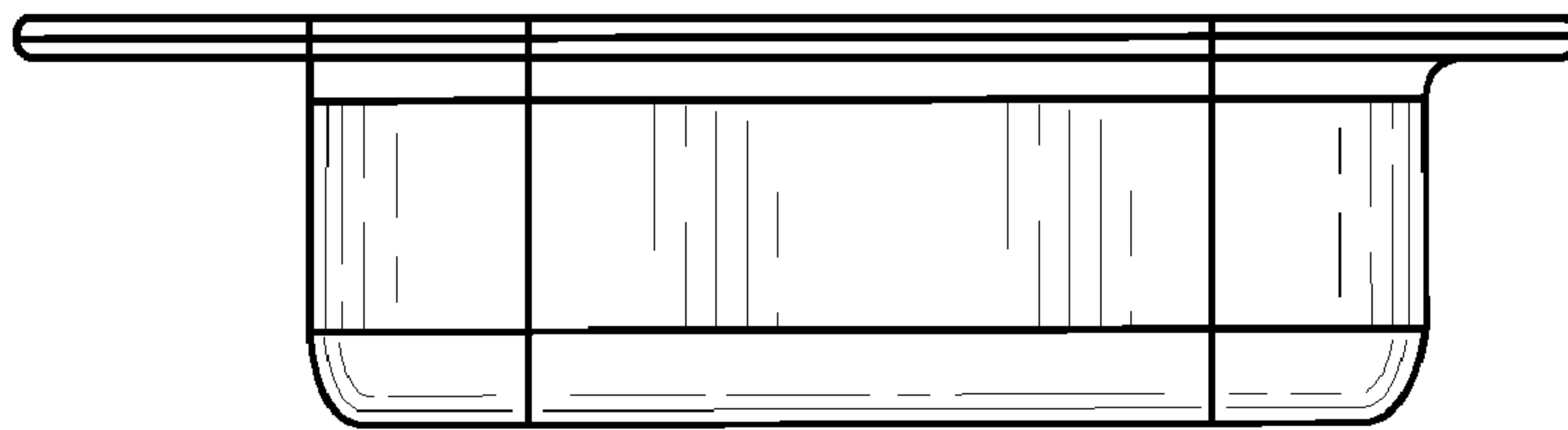


FIG. 5

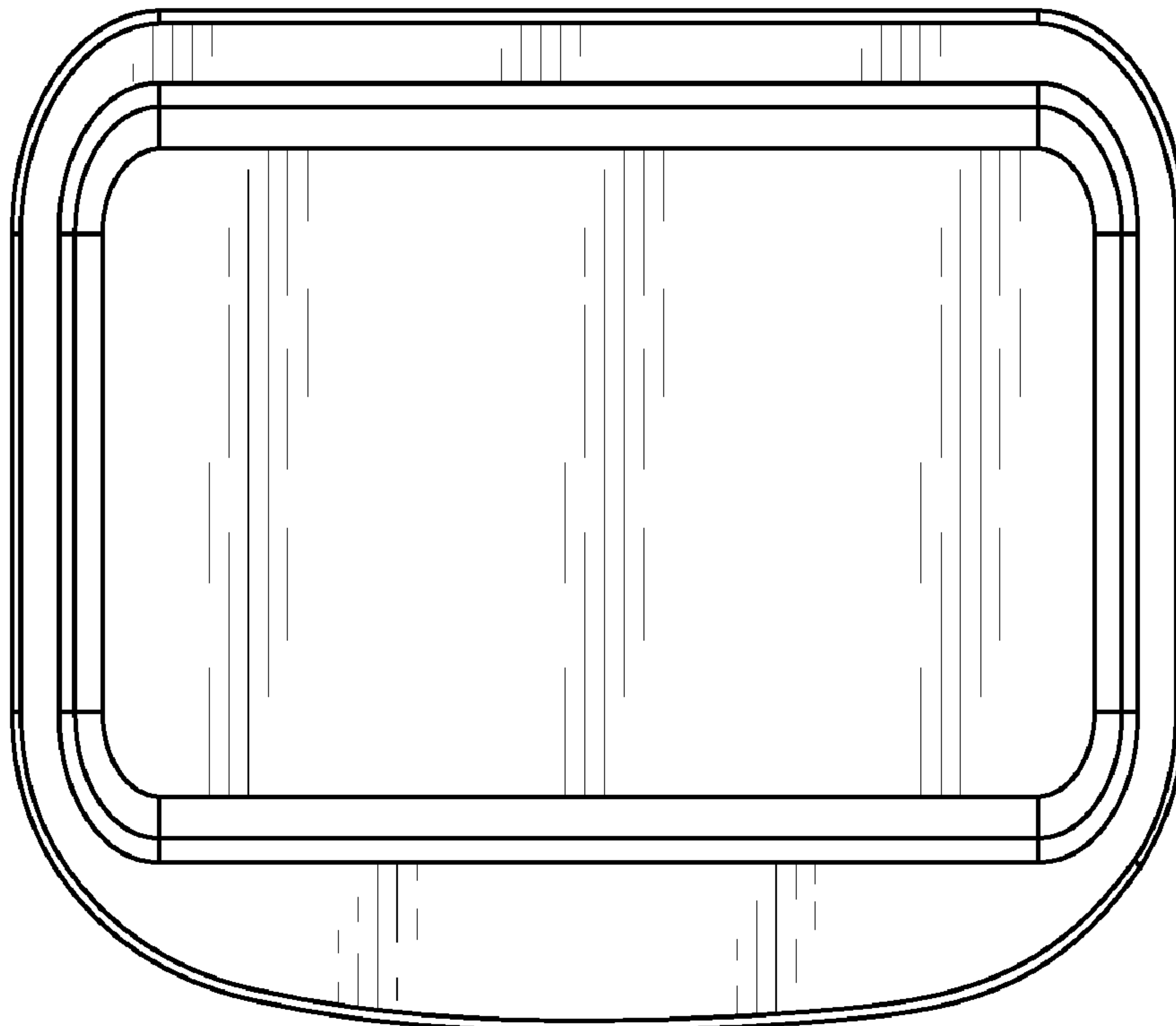


FIG. 6

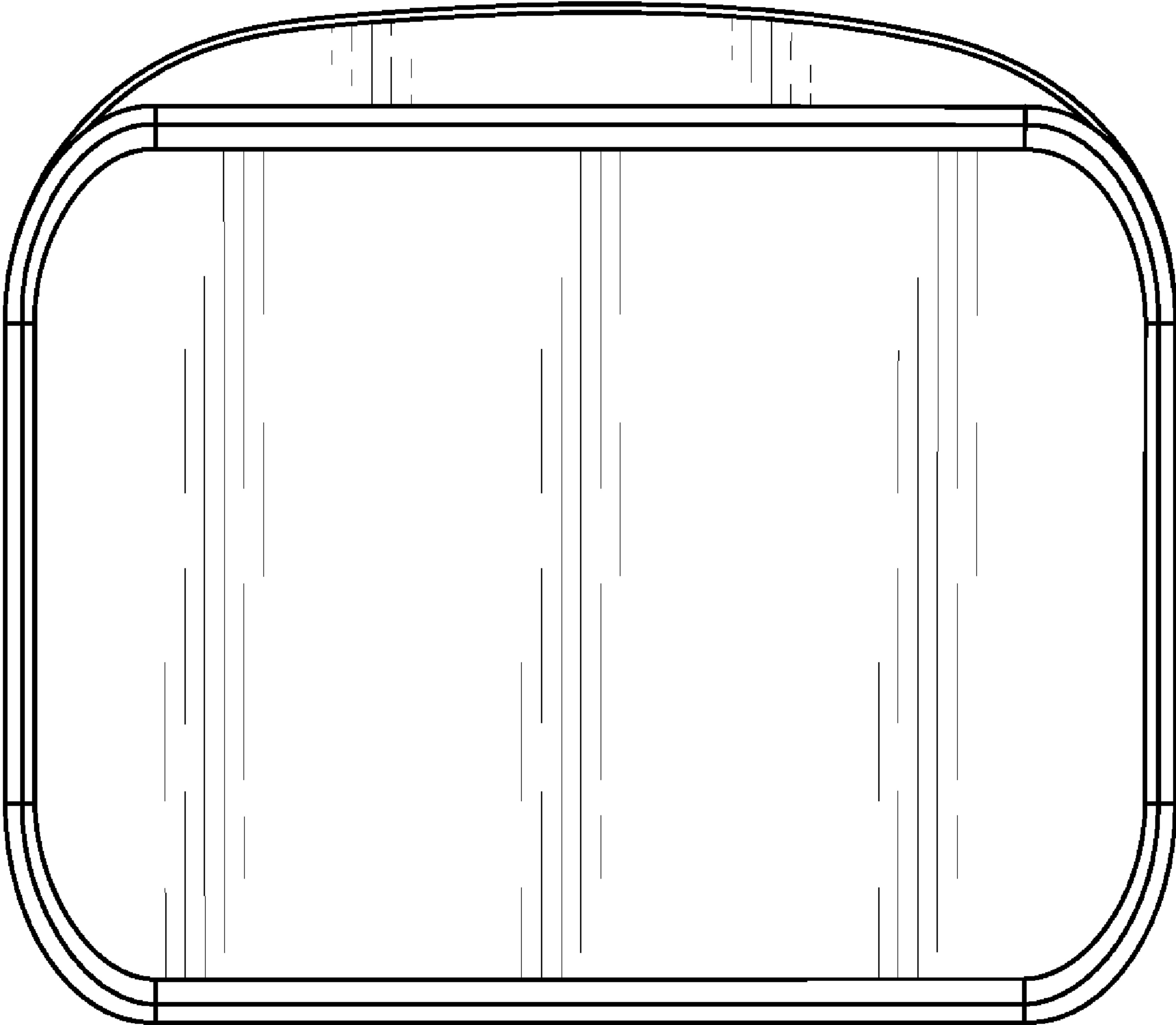


FIG. 7