



US00D612718S

(12) **United States Design Patent**
Lavelle

(10) **Patent No.:** **US D612,718 S**
(45) **Date of Patent:** **** Mar. 30, 2010**

(54) **CORNER PROTECTOR**

3,994,433 A 11/1976 Jenkins et al.
4,072,231 A 2/1978 Helms
D249,314 S 9/1978 Wilde et al.

(76) Inventor: **Richard M. Lavelle**, 2662 Ravenwood Ct., Wexford, PA (US) 15090

(**) Term: **14 Years**

(Continued)

(21) Appl. No.: **29/340,285**

FOREIGN PATENT DOCUMENTS

(22) Filed: **Jul. 16, 2009**

EP 0143299 6/1985

Related U.S. Application Data

(Continued)

(62) Division of application No. 29/326,175, filed on Oct. 14, 2008, now Pat. No. Des. 602,350.

OTHER PUBLICATIONS

(51) **LOC (9) Cl.** **08-09**

Hmark, UnderGuard Tray Corners, 2006, p. 19, US.

(52) **U.S. Cl.** **D8/403**

Primary Examiner—Cathron C Brooks

(58) **Field of Classification Search** D8/400–499;
D25/199; D24/227, 229; 54/24, 26; 428/99,
428/199; 229/199; 206/453, 586, 557–567
See application file for complete search history.

Assistant Examiner—Barbara Fox

(74) *Attorney, Agent, or Firm*—Trego, Hines & Ladenheim, PLLC

(56) **References Cited**

(57) **CLAIM**

U.S. PATENT DOCUMENTS

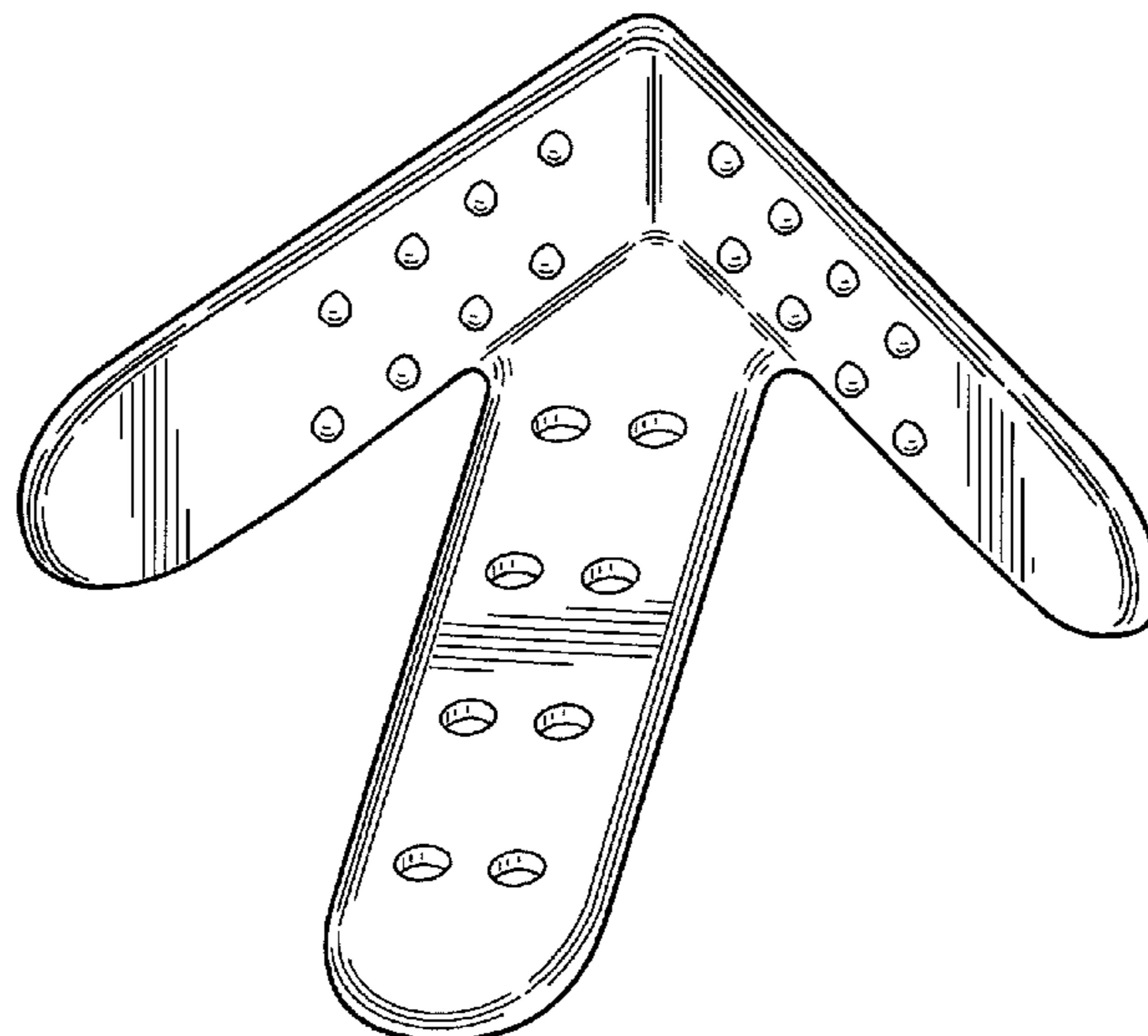
I claim the ornamental design for a corner protector, as shown and described.

- 1,320,205 A 10/1919 Cochrane
- 1,546,680 A 7/1925 Sessions
- 2,080,630 A 5/1937 Nathanson
- 2,995,863 A * 8/1961 Bright 248/345.1
- 3,030,728 A 4/1962 Wesman
- 3,137,087 A 6/1964 Shroyer
- D220,166 S * 3/1971 Griffith D8/380
- 3,655,113 A * 4/1972 Carroll 206/586
- 3,725,188 A 4/1973 Kalt
- 3,762,626 A 10/1973 Dorsey
- 3,822,036 A 7/1974 Goodsite
- 3,843,038 A 10/1974 Sax
- 3,870,152 A 3/1975 Kaplan
- 3,955,677 A 5/1976 Collingwood
- 3,960,354 A 6/1976 Simikoski
- 3,975,564 A 8/1976 Jones

DESCRIPTION

FIG. 1 is a perspective view of a corner protector, showing my design;
FIG. 2 is a bottom view of the corner protector of FIG. 1;
FIG. 3 is a top view of the corner protector of FIG. 1;
FIG. 4 is a front elevation of the corner protector of FIG. 1;
FIG. 5 is a rear elevation of the corner protector of FIG. 1;
FIG. 6 is a left elevation of the corner protector of FIG. 1; and,
FIG. 7 is a right elevation of the corner protector of FIG. 1.

1 Claim, 5 Drawing Sheets



US D612,718 S

Page 2

U.S. PATENT DOCUMENTS

D253,506 S	11/1979	Vigue	
D260,590 S	9/1981	Hobson	
4,287,265 A	9/1981	McKnight	
4,496,054 A	1/1985	Koltun	
4,529,091 A	7/1985	Martin	
D287,446 S	12/1986	Cowle	
4,742,916 A	5/1988	Galea	
4,838,427 A	6/1989	Hurley	
4,851,286 A	7/1989	Maurice	
4,852,744 A	8/1989	Van Breemen	
5,175,041 A	12/1992	Webb et al.	
5,297,682 A	3/1994	Miltenberger	
5,311,825 A	5/1994	Bonham	
5,370,229 A	12/1994	Kroeckel et al.	
D356,946 S	4/1995	Rekuc	
5,549,868 A	8/1996	Carlson, II	
D384,585 S	10/1997	Swarr	
5,749,512 A	5/1998	Gingras-Taylor	
5,772,037 A	6/1998	Hurley	
D412,436 S *	8/1999	Tsui	D8/403
D416,476 S	11/1999	Engberg	
6,007,469 A	12/1999	Jaegers et al.	
6,039,184 A	3/2000	Gale	
6,103,335 A	8/2000	Zoller et al.	
6,368,694 B1	4/2002	Marsh et al.	

6,440,375 B1	8/2002	Davis et al.	
6,470,637 B2	10/2002	Gratz	
6,478,354 B1	11/2002	Eyal	
D475,613 S *	6/2003	Mullane	D8/499
6,629,608 B2	10/2003	Hurley et al.	
6,776,380 B1	8/2004	Kirk, Jr. et al.	
6,840,372 B2	1/2005	Giles et al.	
6,902,712 B2	6/2005	Davis	
D537,337 S *	2/2007	Brockington et al.	D8/499
D560,485 S *	1/2008	Lavelle	D8/402
D573,013 S *	7/2008	Lavelle	D8/403
7,413,157 B2	8/2008	Curnow et al.	
7,422,185 B2	9/2008	Curnow et al.	
D598,756 S *	8/2009	Robichaud et al.	D9/456
D602,350 S *	10/2009	Lavelle	D8/403
2005/0244316 A1	11/2005	Davis	
2006/0000745 A1	1/2006	Seelye et al.	
2006/0243636 A1	11/2006	Robichaud et al.	
2007/0251855 A1 *	11/2007	Curnow et al.	206/586

FOREIGN PATENT DOCUMENTS

EP	1357056	10/2003
WO	9410058	5/1994
WO	2007019233	2/2007

* cited by examiner

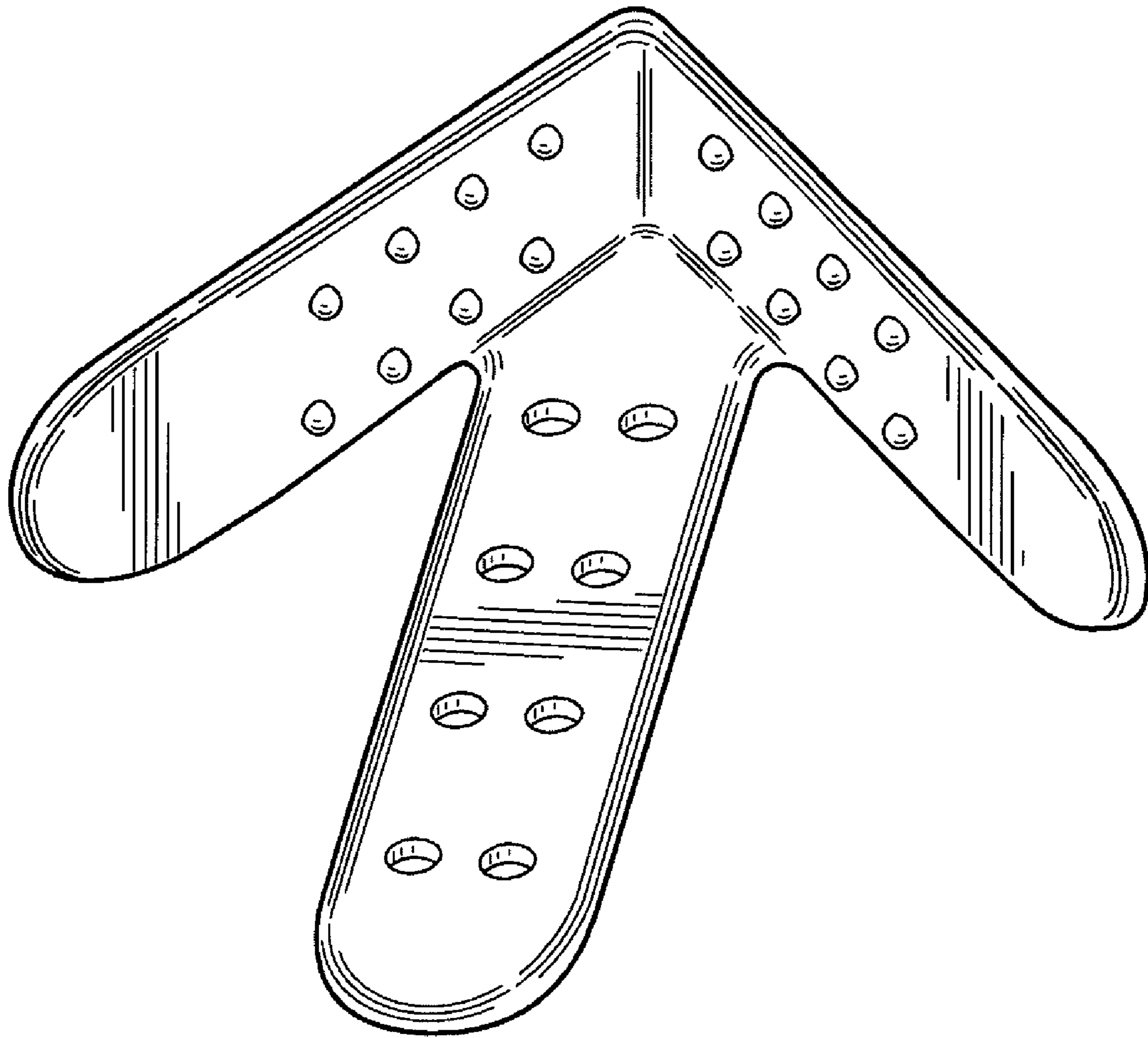


FIG. 1

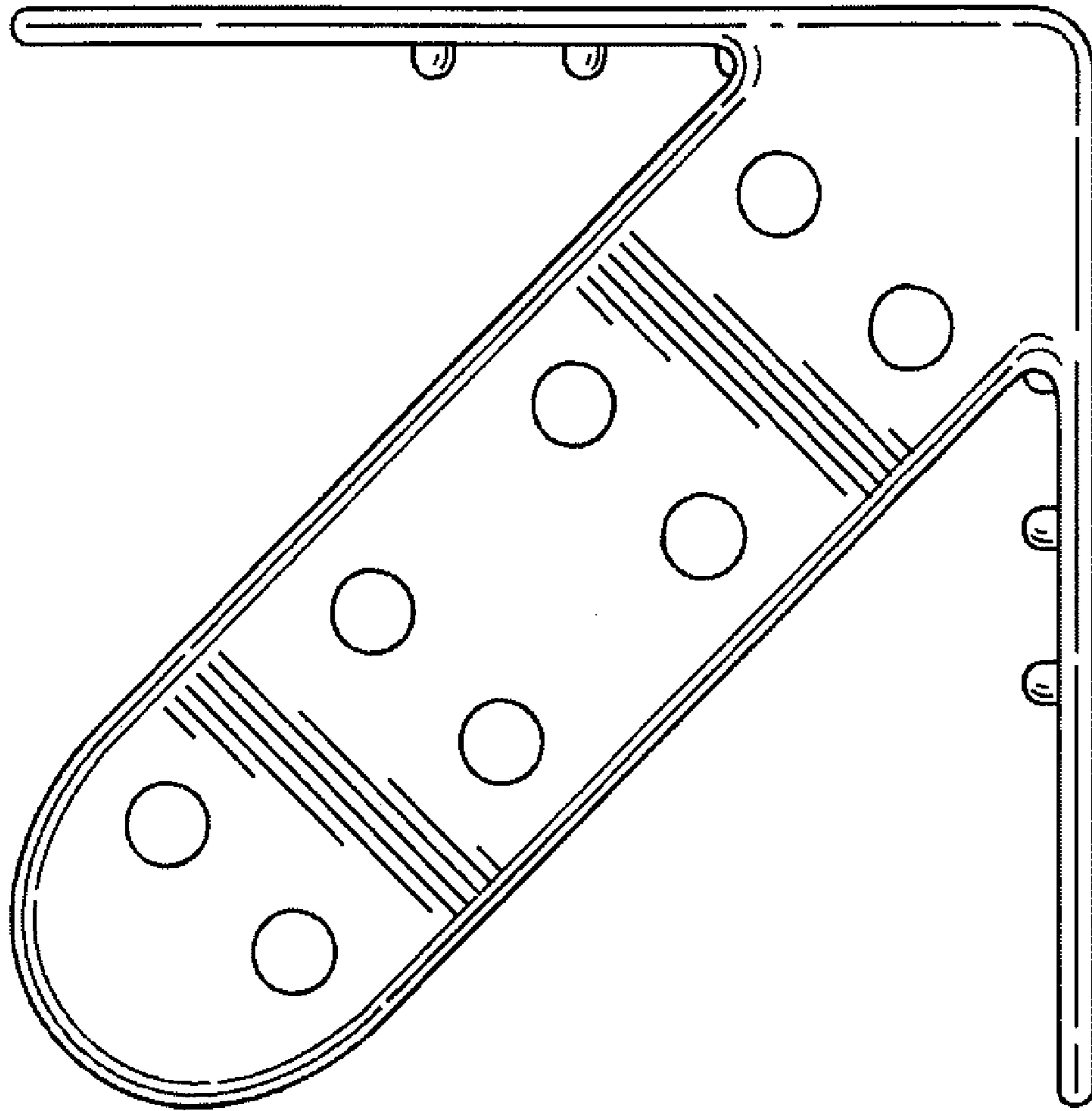


FIG. 2

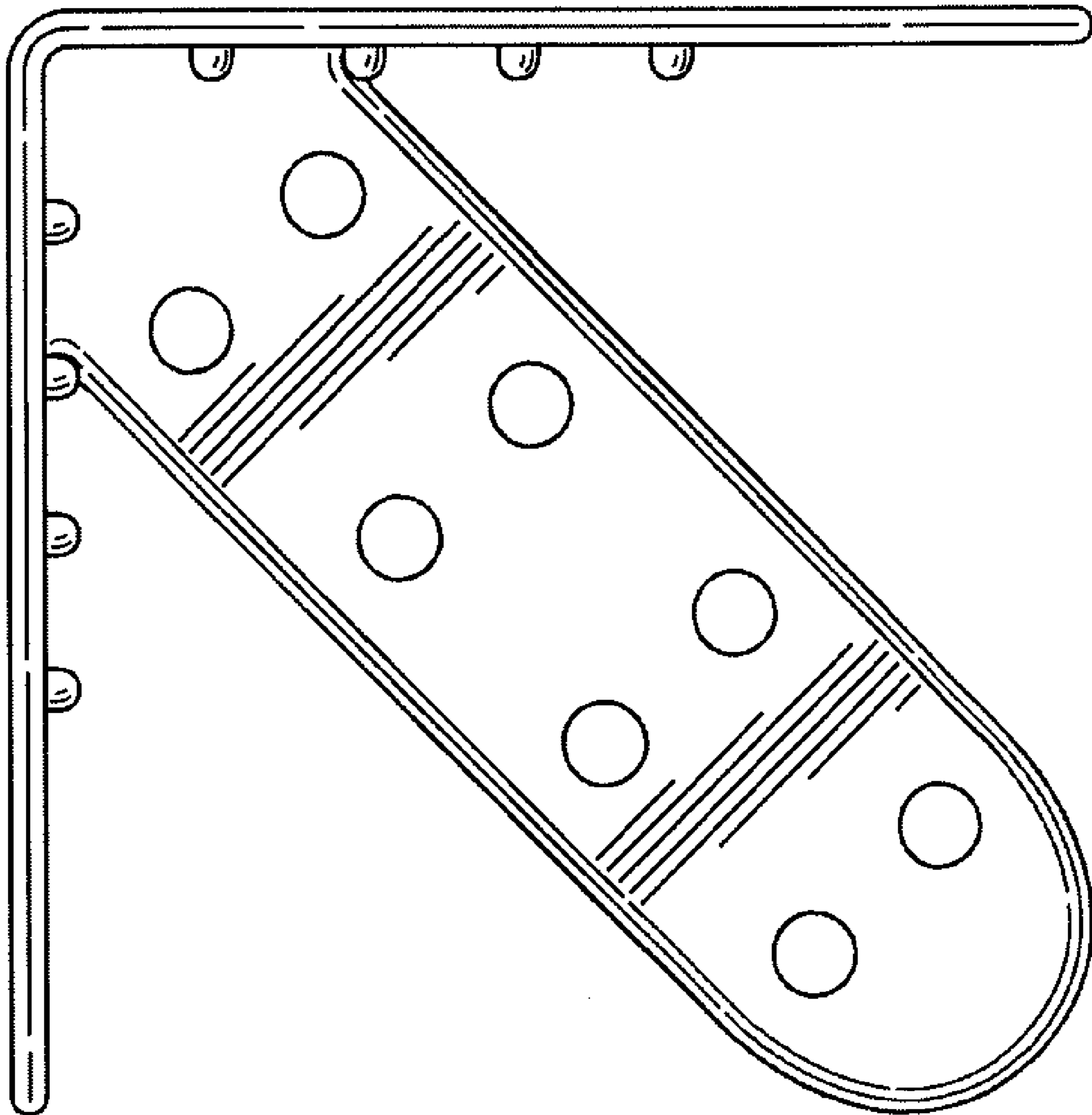


FIG. 3

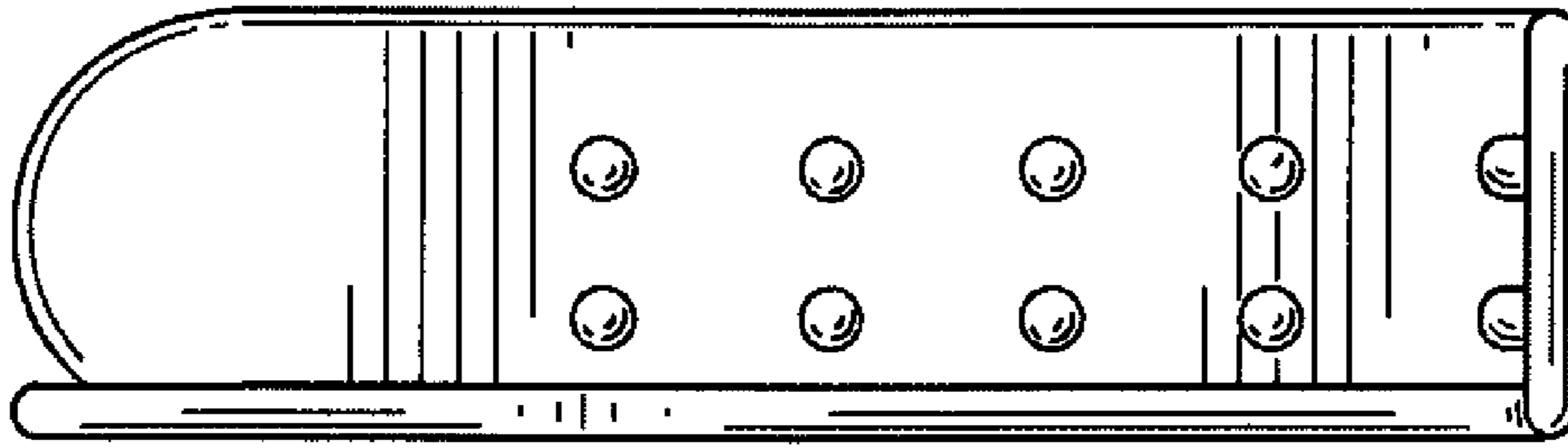


FIG. 4

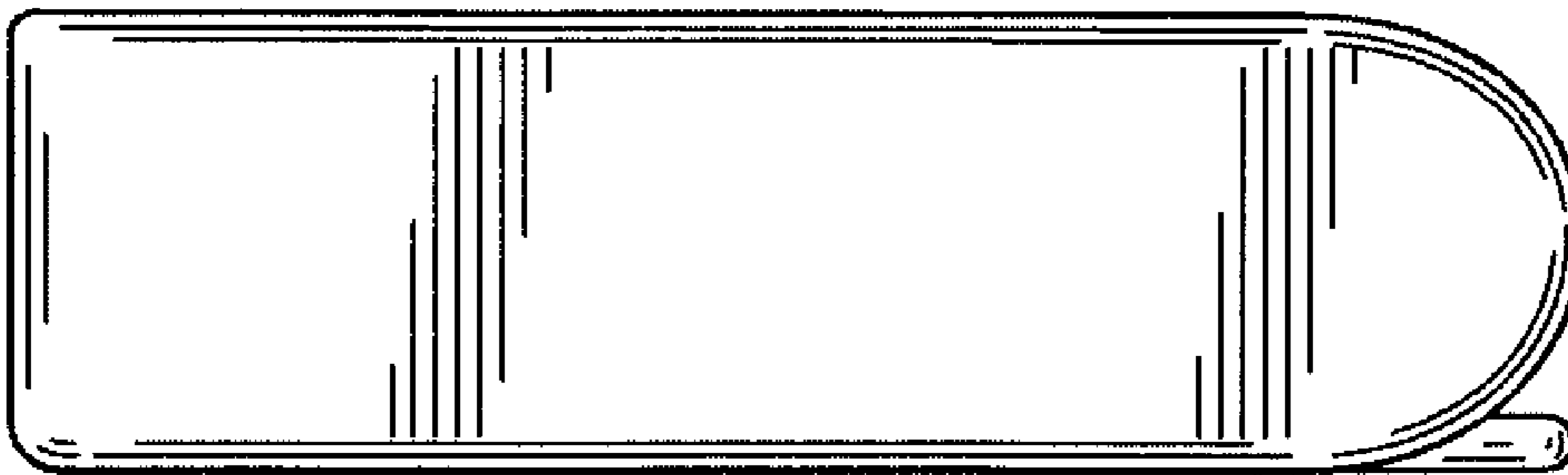


FIG. 5



FIG. 6

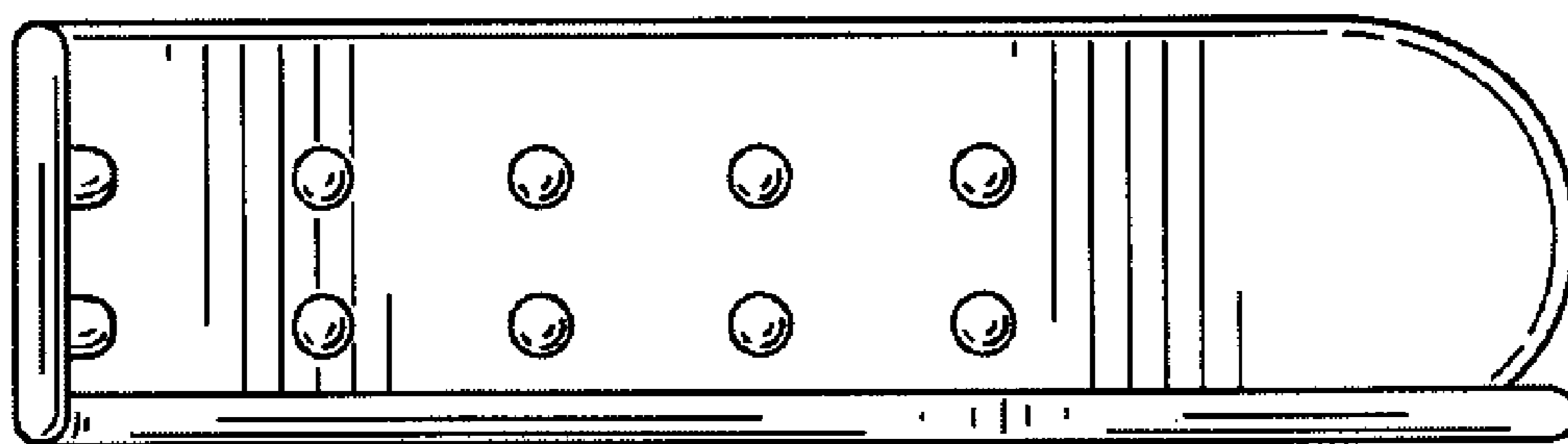


FIG. 7