



US00D612717S

(12) **United States Design Patent**
Frankel

(10) **Patent No.:** **US D612,717 S**
(45) **Date of Patent:** **** Mar. 30, 2010**

(54) **SECURITY DOOR BRACE**

(76) Inventor: **Jordan Frankel**, 815 Starlight Dr.,
Atlanta, GA (US) 30342

(**) Term: **14 Years**

(21) Appl. No.: **29/340,314**

(22) Filed: **Jul. 16, 2009**

(51) **LOC (9) Cl.** **08-09**

(52) **U.S. Cl.** **D8/402; D8/343**

(58) **Field of Classification Search** D8/400-499;
D6/495; D20/19, 42, 43; 16/82, 375, 86 B,
16/137, 342, 85; 292/288, 342-343, DIG. 15,
292/339; 40/331, 599

See application file for complete search history.

(56) **References Cited**

U.S. PATENT DOCUMENTS

1,082,432 A	12/1913	Mertsheimer	
1,445,810 A *	2/1923	Weichman	152/240
1,667,771 A	5/1928	Chiapparelli	
2,929,647 A	3/1960	Gladstone	
3,330,585 A	7/1967	Pollin	
3,833,963 A	9/1974	Waters	
3,977,714 A	8/1976	Trotter	
4,178,026 A	12/1979	Sinkhorn	
4,303,266 A	12/1981	Volpi	
4,343,500 A	8/1982	Steiner	
D270,234 S *	8/1983	Shuster	D8/402
4,462,623 A	7/1984	Grant	
4,601,502 A	7/1986	Van Dyke	
4,797,970 A	1/1989	Charlton	
5,018,241 A	5/1991	Baines	
5,029,911 A	7/1991	Daniels	
D323,778 S *	2/1992	Roman	D8/402
5,120,093 A	6/1992	Carney	
5,163,308 A	11/1992	Lillo	
D331,696 S *	12/1992	Graham	D8/402

5,197,407 A	3/1993	Sims
5,199,759 A	4/1993	Anderson
5,207,026 A	5/1993	Bozeman, Jr.
5,283,254 A	2/1994	Cozzi et al.

(Continued)

Primary Examiner—Cathron C Brooks

Assistant Examiner—Barbara Fox

(74) *Attorney, Agent, or Firm*—Woodcock Wasburn LLP;
Barry E. Kaplan, Esq.

(57) **CLAIM**

The ornamental design for a security door brace, as shown and described.

DESCRIPTION

FIG. 1 is a perspective view of the security door brace showing my new design.

FIG. 2 is an exploded perspective view thereof, showing the lower plate of the door brace, which is to be secured to a floor on the inside of a door, and the upper door brace prior to being inserted into the lower plate.

FIG. 3 is a top view of the security door brace.

FIG. 4 is a front view of the security door brace.

FIG. 5 is a left side view of the security door brace.

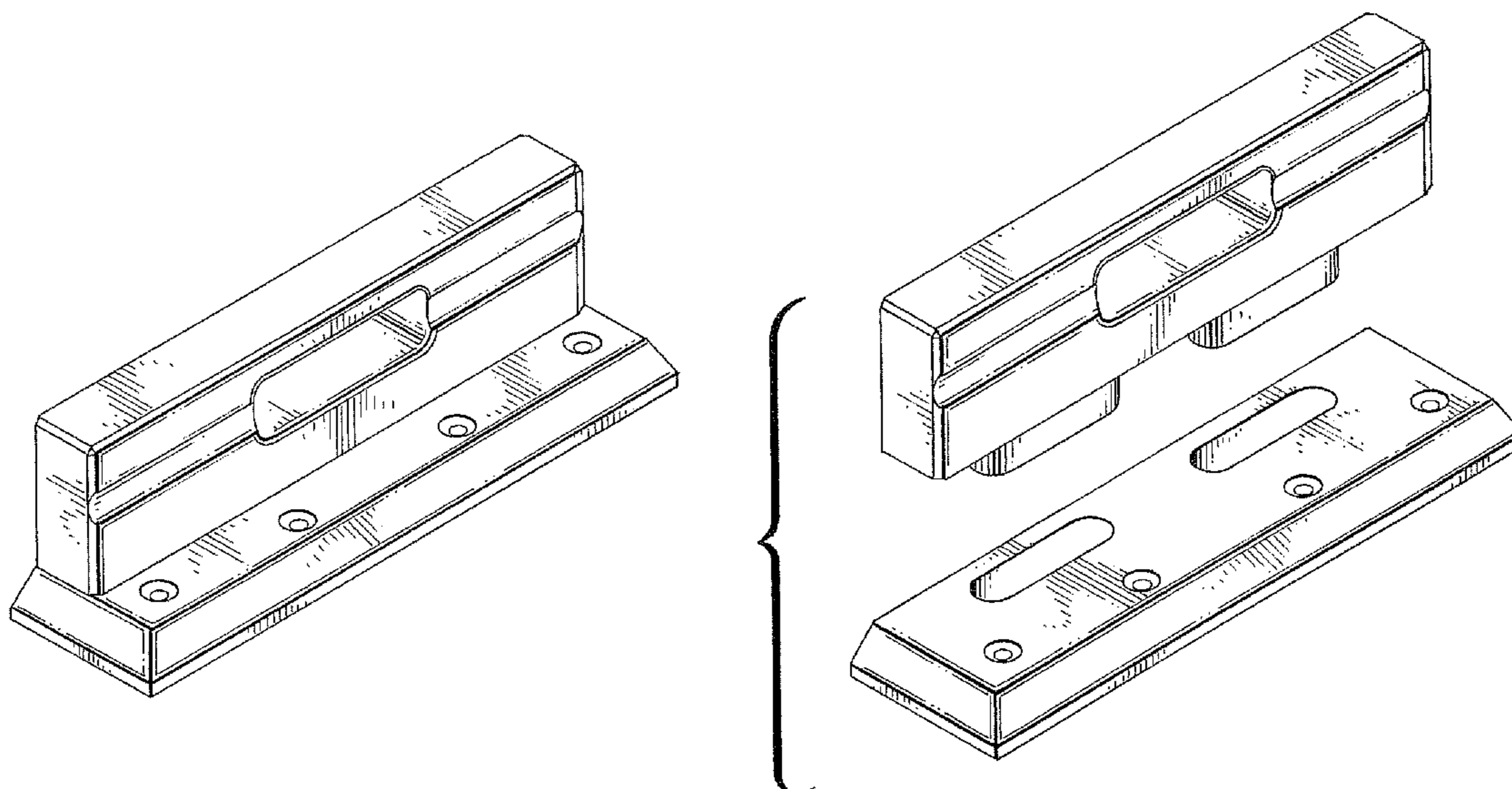
FIG. 6 is an exploded right side view of the security door brace.

FIG. 7 is a rear view of the security door brace; and,

FIG. 8 is a bottom view of the security door brace.

The present invention relates generally to a device for use in home and office security. More specifically, the present invention relates to a two-piece security door lock designed to stop or slow down forced entry, primarily used in residential and commercial structures.

1 Claim, 3 Drawing Sheets



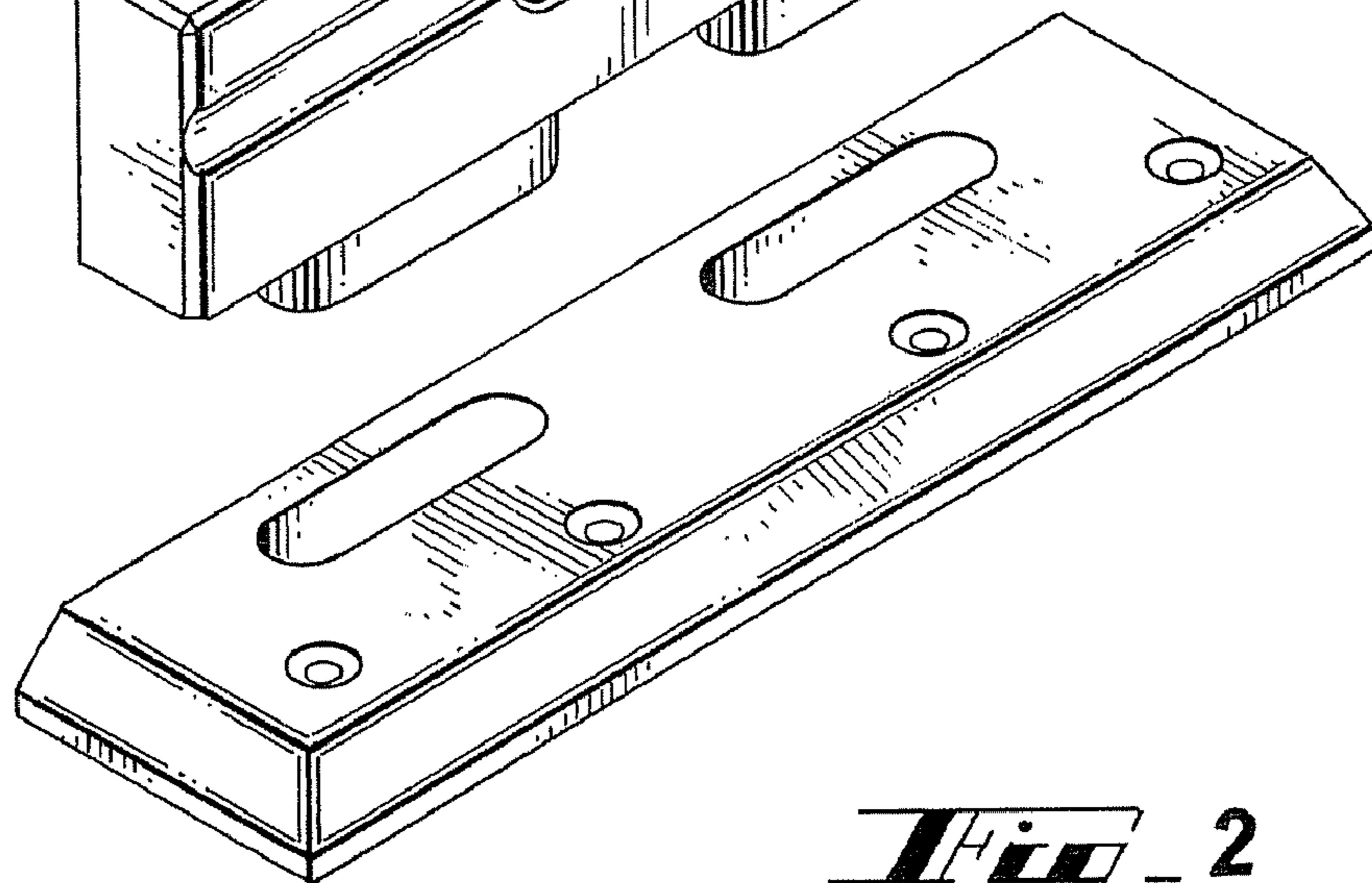
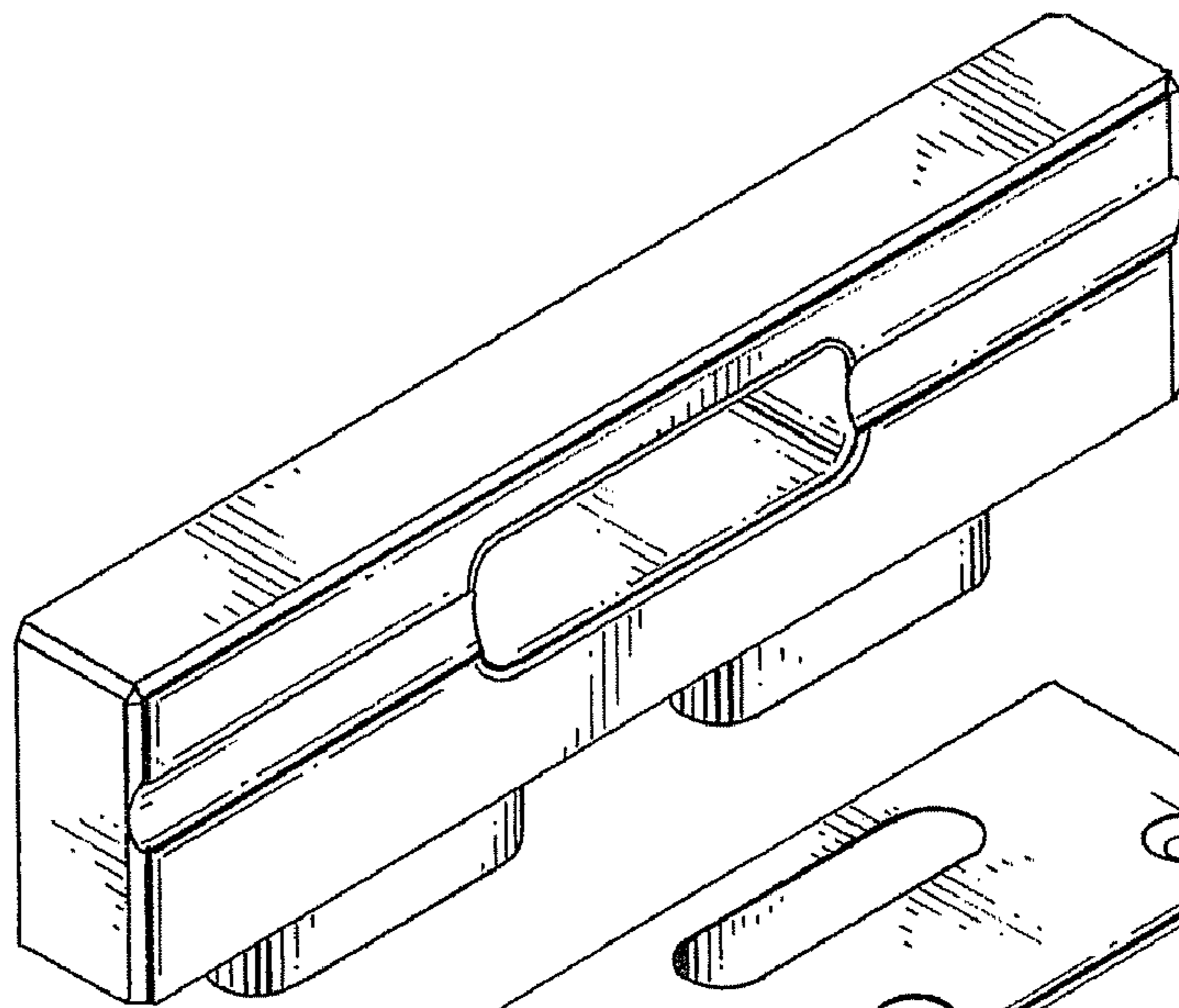
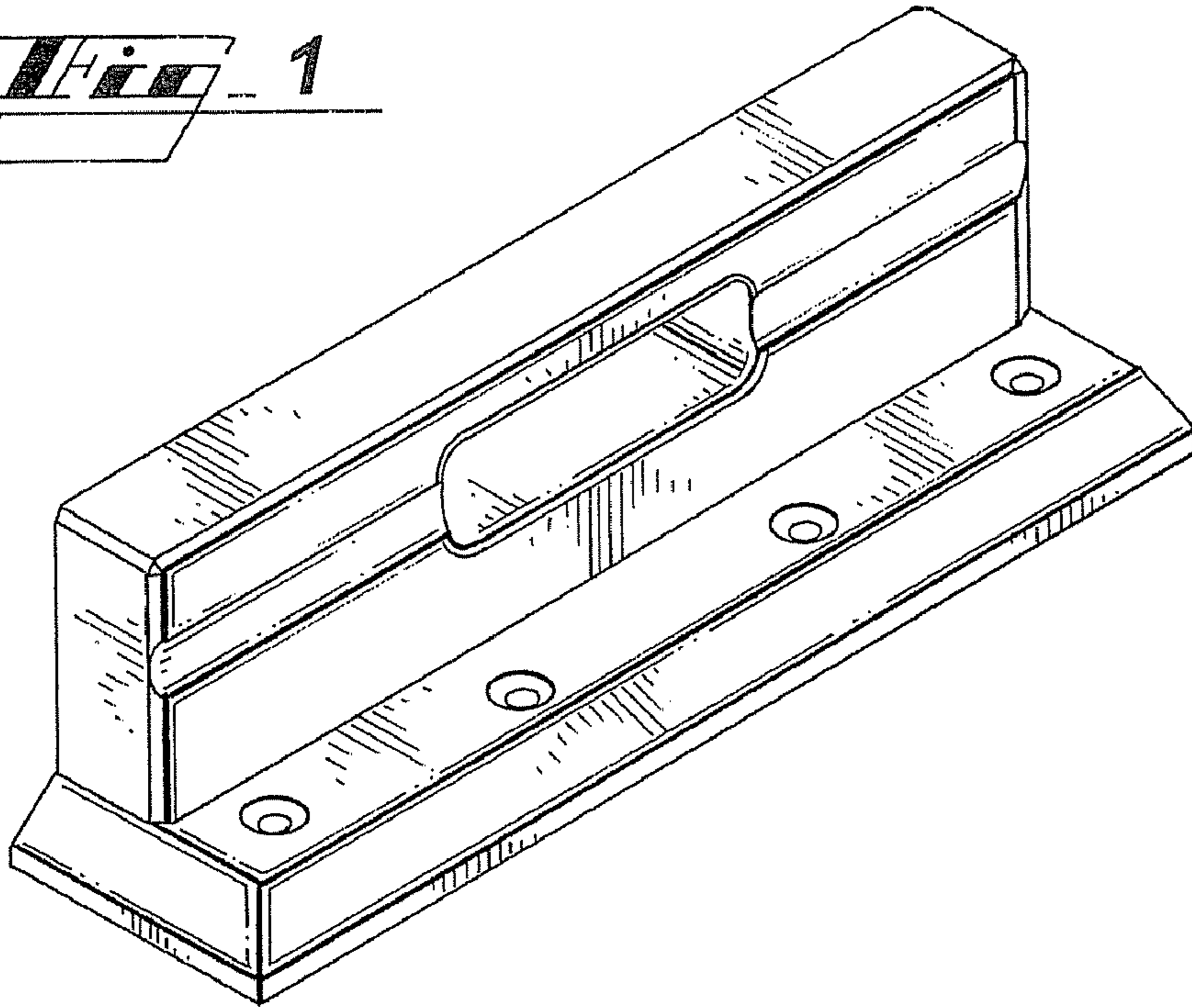
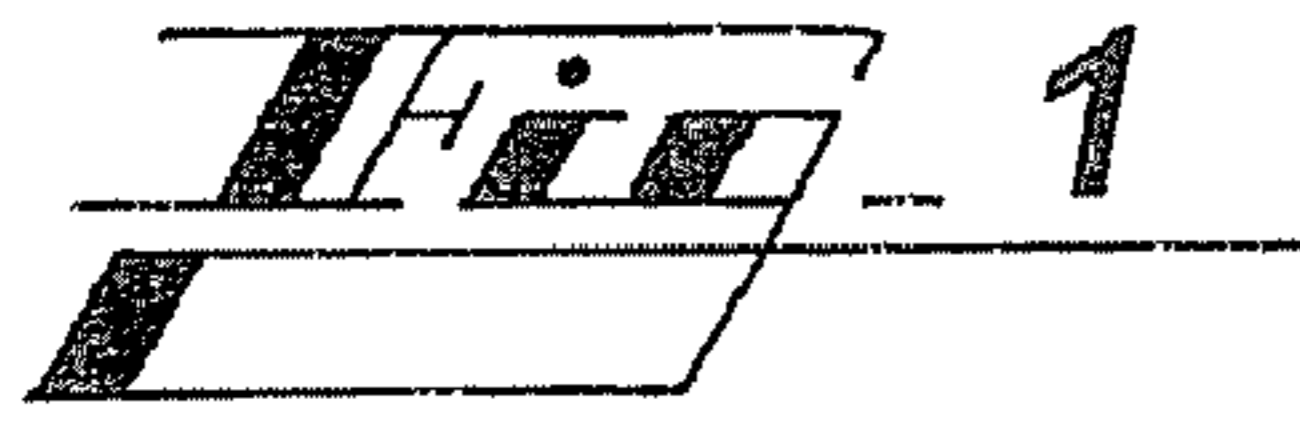
US D612,717 S

Page 2

U.S. PATENT DOCUMENTS

D346,956 S	5/1994	Wigley, Sr.	5,873,273 A	2/1999	Vick	
5,383,254 A	1/1995	Wigley, Sr.	D414,682 S *	10/1999	Freeman	D8/402
5,395,143 A	3/1995	Chesterton	5,983,680 A	11/1999	Del Nin	
5,454,143 A	10/1995	Wigley	6,041,473 A	3/2000	Johnson	
5,454,610 A *	10/1995	Taylor et al.	D442,473 S *	5/2001	Habeck et al.	D8/402
		292/339	6,336,245 B1	1/2002	Sakakibara	
5,490,304 A	2/1996	Winner, Jr. et al.	6,340,185 B1	1/2002	Truong	
5,531,490 A	7/1996	Parker	6,378,917 B1 *	4/2002	Jones	292/42
5,590,918 A	1/1997	Kambalov	6,557,912 B1	5/2003	Truong	
5,618,072 A	4/1997	Pitchford	6,572,160 B2	6/2003	Bunting	
5,727,822 A	3/1998	Truong	D552,981 S	10/2007	Yamaguchi	
5,755,582 A	5/1998	Charlton	D570,670 S	6/2008	Clemens	
5,775,746 A	7/1998	Charlton	D602,339 S *	10/2009	Frankel	D8/343

* cited by examiner



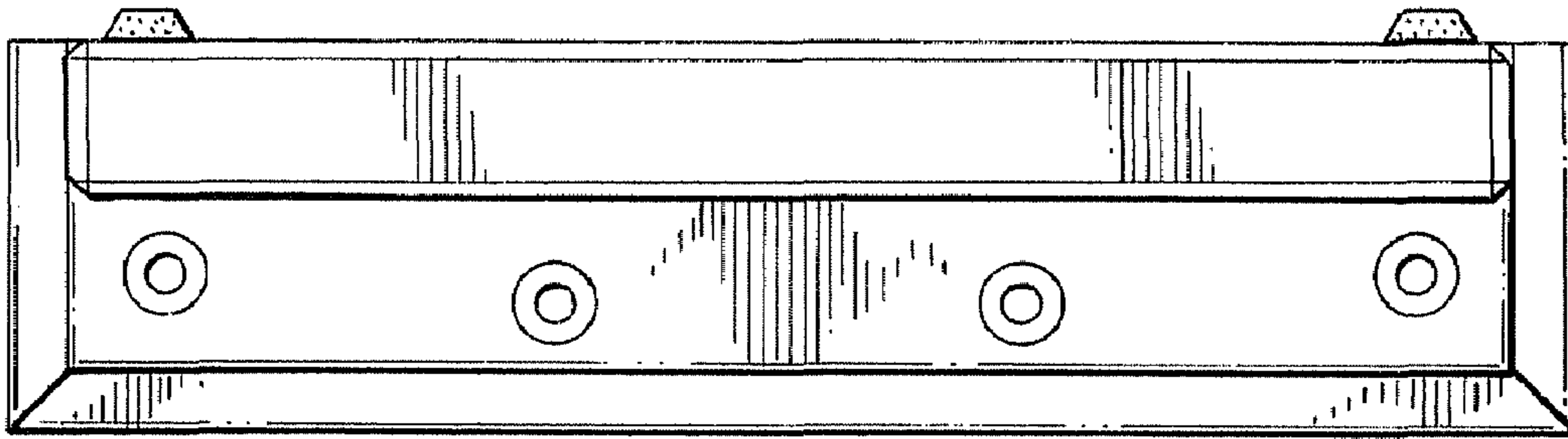


Fig. 3

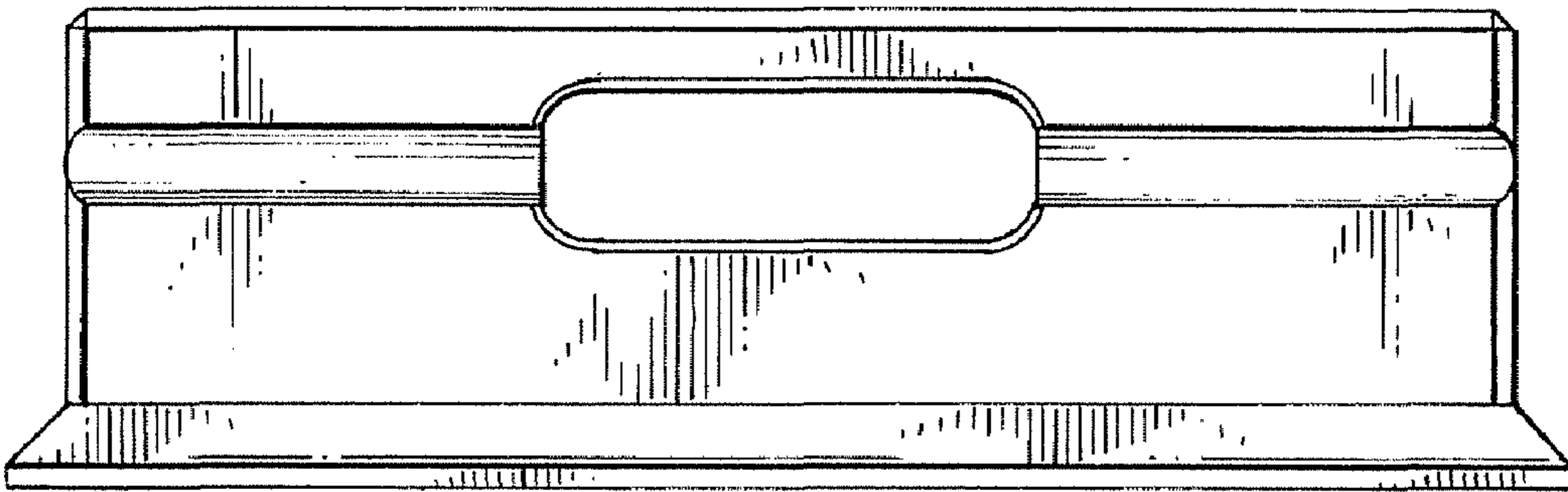


Fig. 4

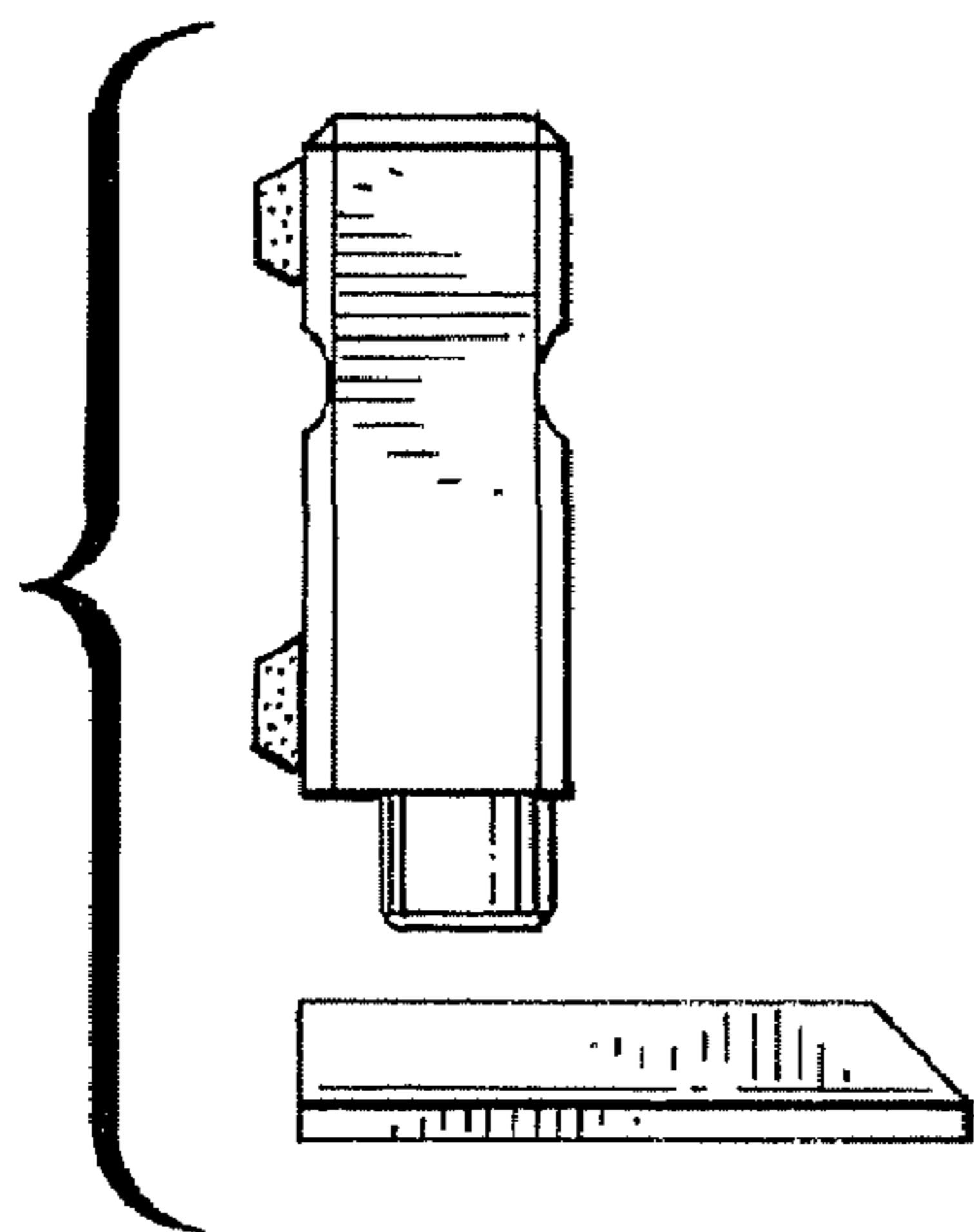


Fig. 6

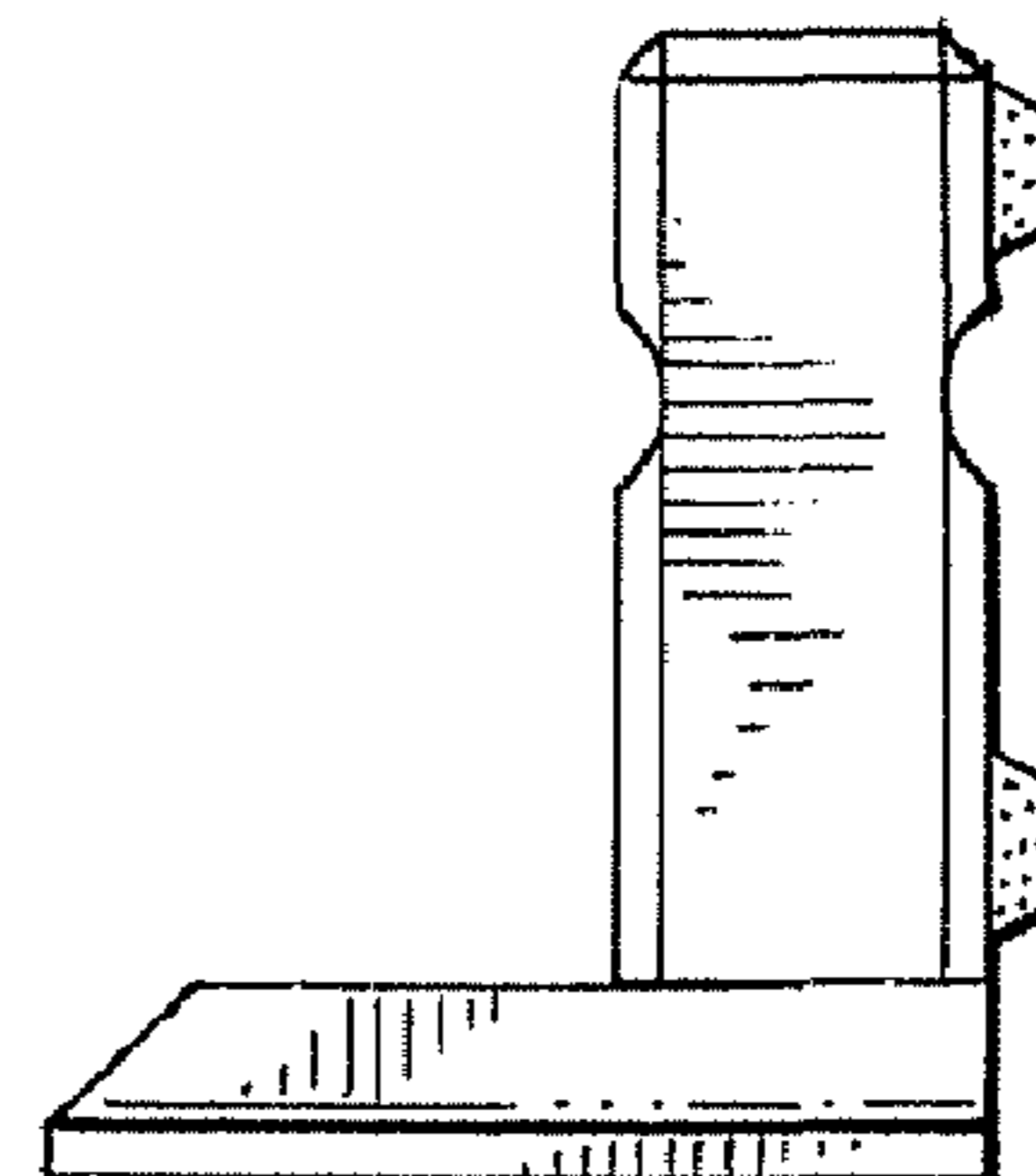


Fig. 5

