



US00D612716S

(12) **United States Design Patent**
Lutz et al.

(10) **Patent No.:** **US D612,716 S**

(45) **Date of Patent:** **** Mar. 30, 2010**

(54) **COUPLING NUT**

(75) Inventors: **William Bernard Lutz**, Glendale, AZ
(US); **Kenneth Steven Wood**, Elmira,
NY (US)

(73) Assignee: **Corning Gilbert Inc.**, Glendale, AZ
(US)

(**) Term: **14 Years**

(21) Appl. No.: **29/342,651**

(22) Filed: **Aug. 28, 2009**

(51) **LOC (9) Cl.** **08-08**

(52) **U.S. Cl.** **D8/397**

(58) **Field of Classification Search** D8/397,
D8/394, 382, 349, 399, 8; D15/138; D23/262;
411/432, 108, 353, 404, 919, 147, 957
See application file for complete search history.

(56) **References Cited**

U.S. PATENT DOCUMENTS

1,029,775	A *	6/1912	Tobin	411/191
2,552,794	A *	5/1951	Kimbell	411/427
2,727,551	A *	12/1955	Rees	411/303
3,702,628	A *	11/1972	Cosenza	411/280
4,019,550	A *	4/1977	DeHaitre	411/303
D311,131	S *	10/1990	Saito	D8/397
6,071,052	A *	6/2000	Kerr	411/302
D446,111	S *	8/2001	Hussaini	D8/397

D459,207	S *	6/2002	Miyata	D8/397
D519,076	S *	4/2006	Fox	D13/133
7,063,565	B2 *	6/2006	Ward	439/578
D535,259	S *	1/2007	Rodrigues et al.	D13/151
D551,972	S *	10/2007	Jacobs et al.	D9/445
D581,777	S *	12/2008	Huang	D8/397
D601,507	S *	10/2009	Rodrigues	D13/151
2005/0136735	A1 *	6/2005	Rodrigues et al.	439/578

* cited by examiner

Primary Examiner—Robert M Spear

Assistant Examiner—Cynthia Underwood

(74) *Attorney, Agent, or Firm*—Matthew J. Mason

(57) **CLAIM**

The ornamental design for a coupling nut, as shown and described.

DESCRIPTION

FIG. 1 is a top, side, and front perspective view of a coupling nut showing our new design;

FIG. 2 is a top, side, and rear perspective view thereof;

FIG. 3 is a top plain view thereof;

FIG. 4 is a right elevational view thereof;

FIG. 5 is a front end view thereof; and,

FIG. 6 is a rear end view thereof.

The broken lines represent portions of the structure that form no part of the claim.

1 Claim, 3 Drawing Sheets

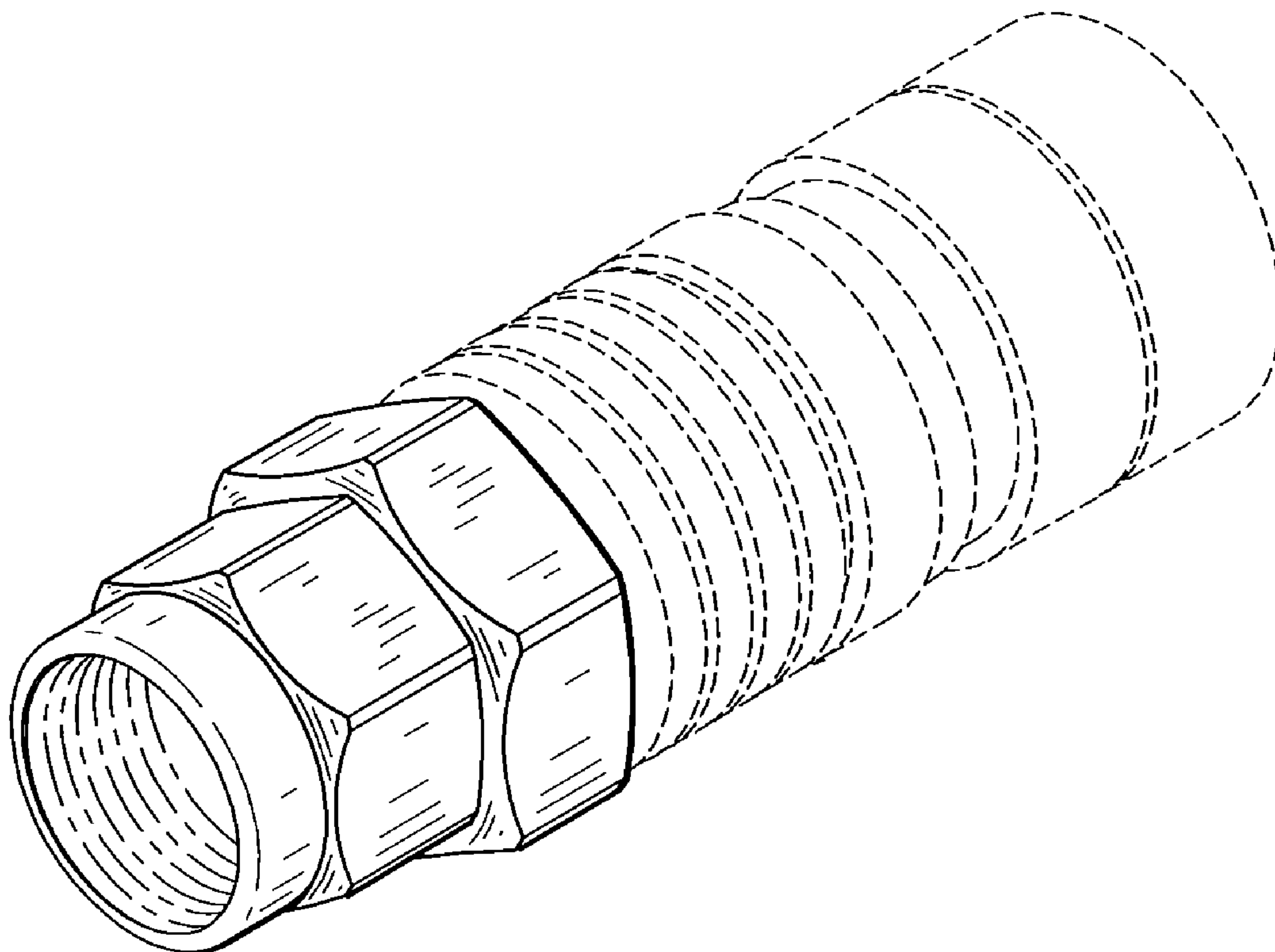


FIG. 1

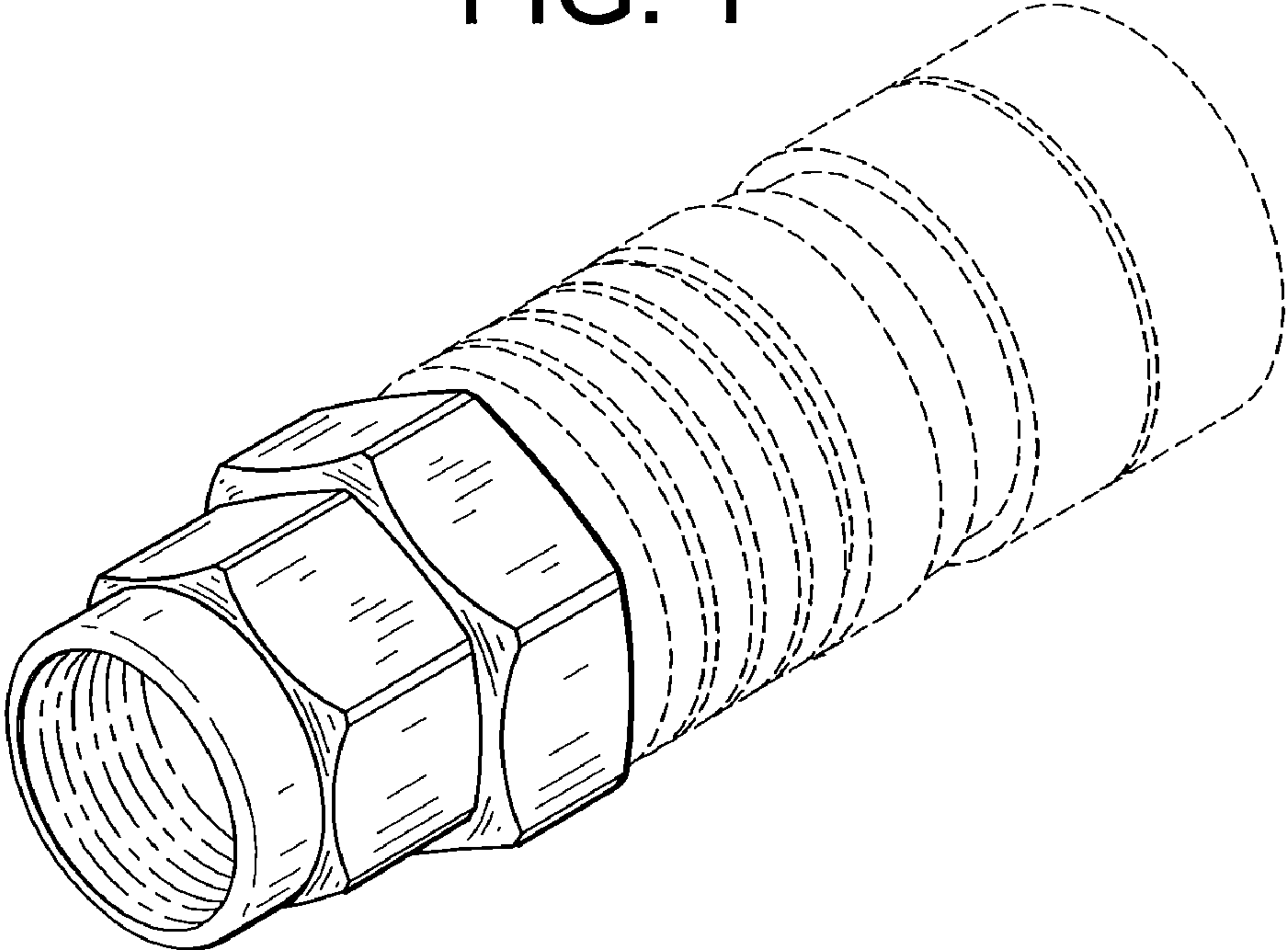


FIG. 2

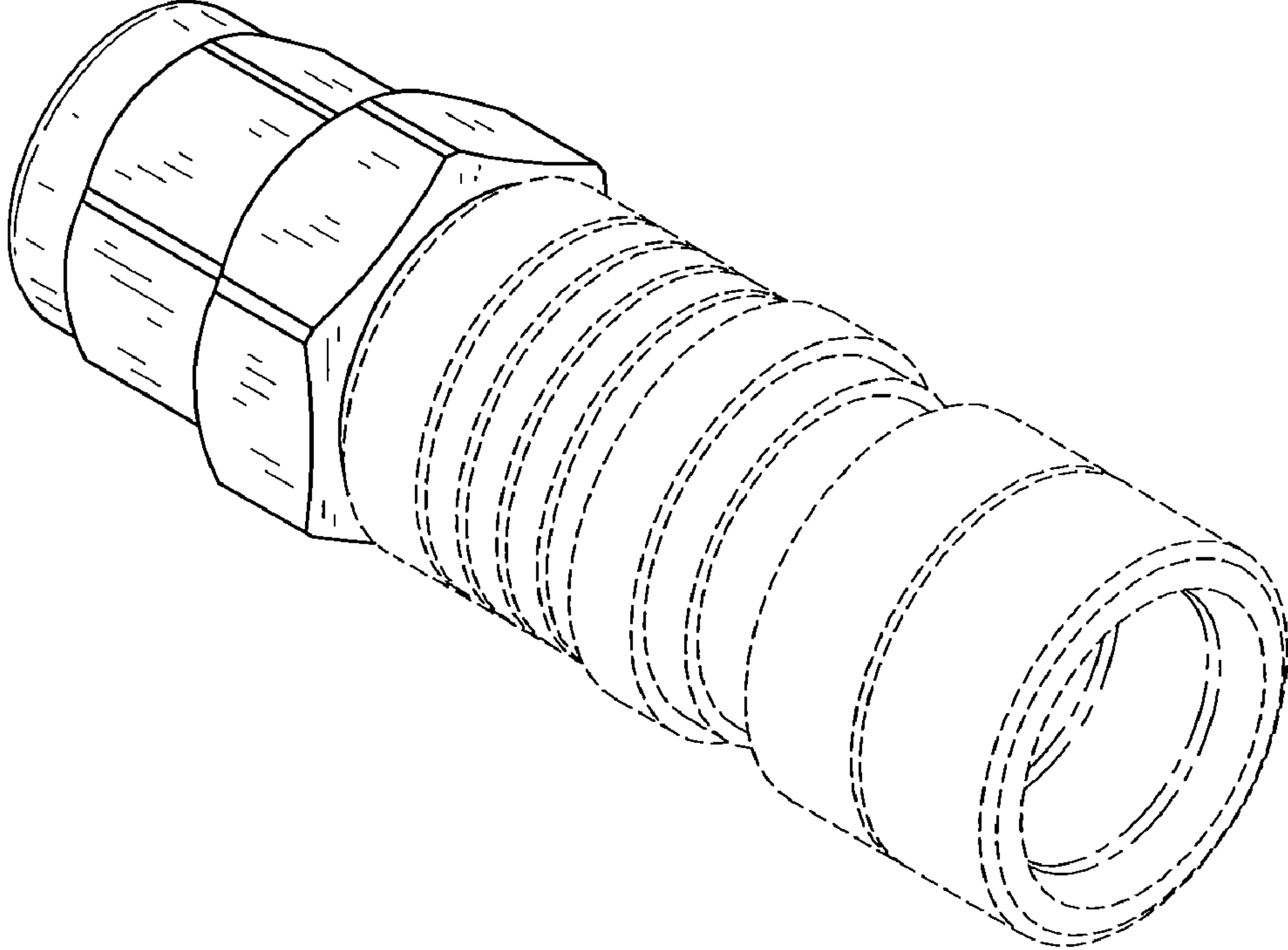


FIG. 3

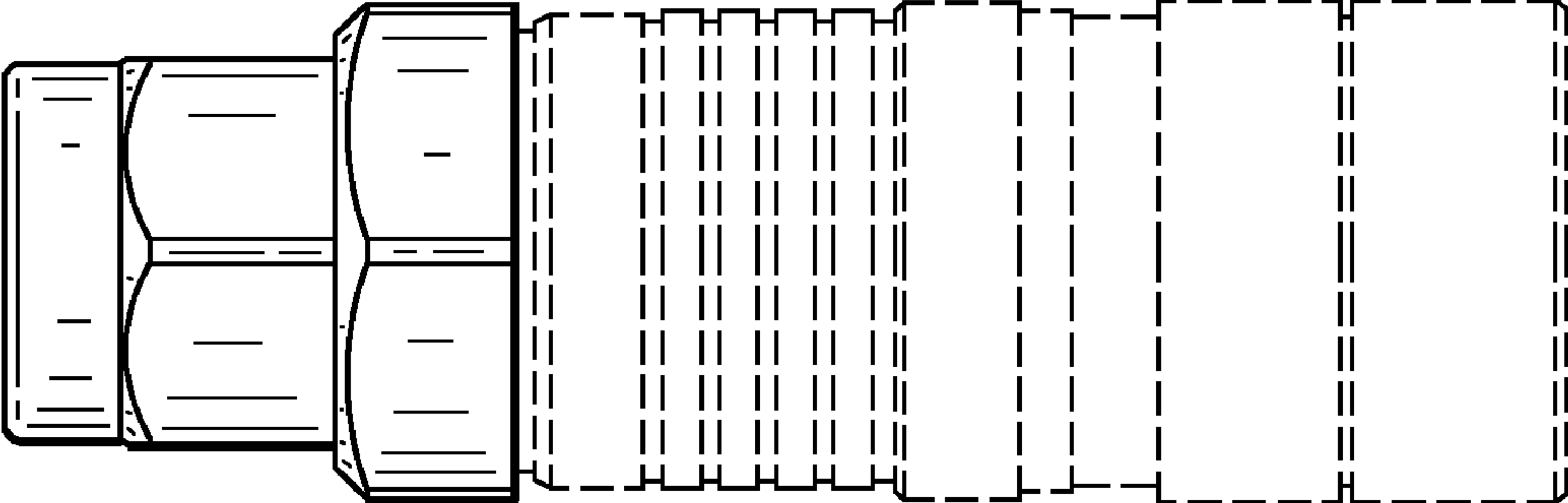


FIG. 4

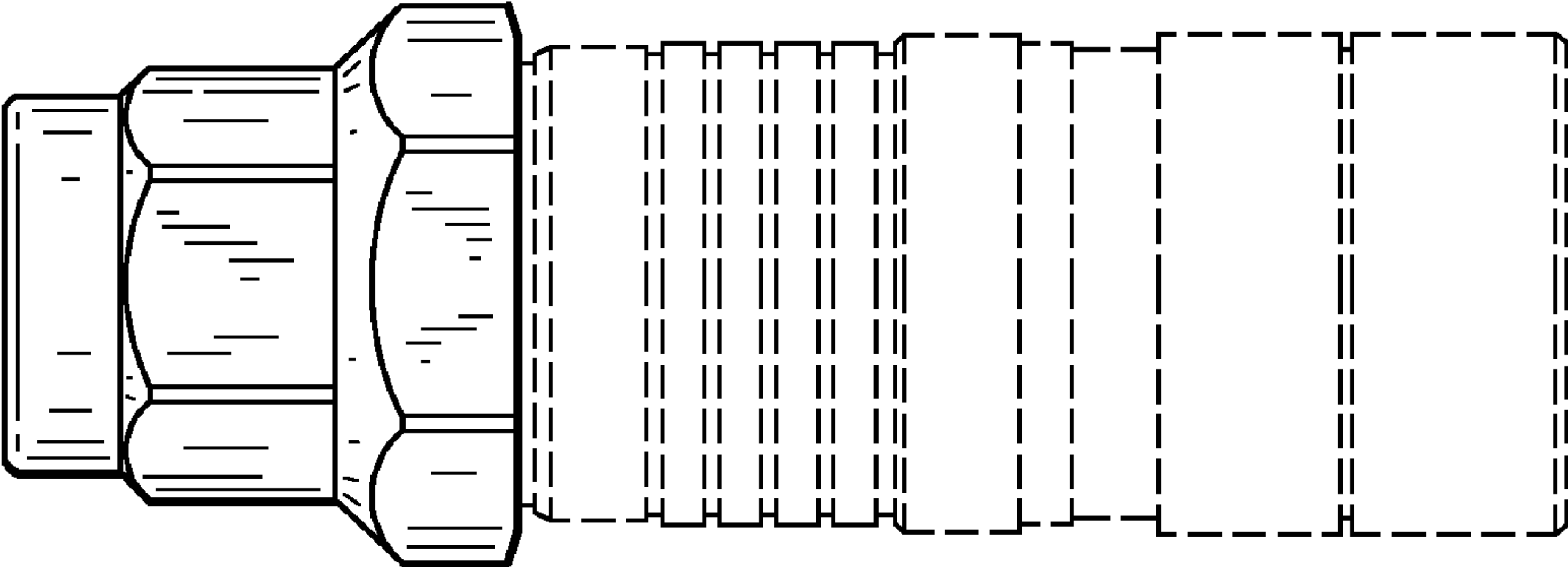


FIG. 5

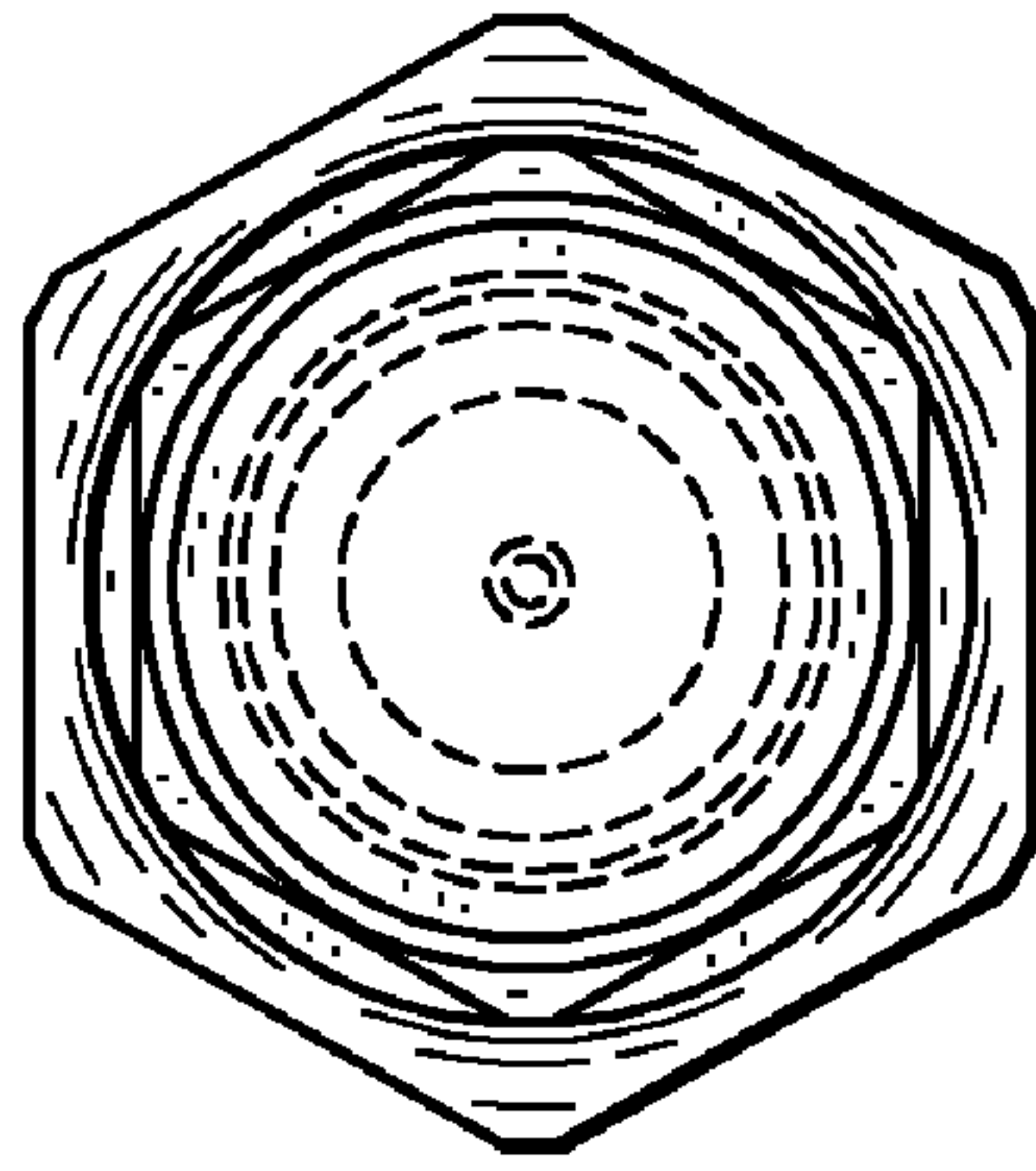


FIG. 6

