



US00D612715S

(12) **United States Design Patent**
Weinberg et al.

(10) **Patent No.:** **US D612,715 S**
(45) **Date of Patent:** **** Mar. 30, 2010**

(54) **SLIDE RAIL FOR A CLAMP**

D541,953 S * 5/2007 Deleu D25/122

(75) Inventors: **Andreas Weinberg**, Filderstadt (DE);
Martin Ruf, Filderstadt (DE)

(Continued)

(73) Assignee: **BESSEY Tool GmbH & Co. KG**,
Bietigheim-Bissingen (DE)

FOREIGN PATENT DOCUMENTS

DE 946 790 8/1956

(**) Term: **14 Years**

(Continued)

(21) Appl. No.: **29/294,487**

OTHER PUBLICATIONS

(22) Filed: **Jan. 11, 2008**

(30) **Foreign Application Priority Data**

Jul. 26, 2007 (EM) 000764972

Bessey—Spanntechnik—Handwerkzeuge, Schere, Erdi, Erdi Schere, Spanntech . . . , [online], [retrieved on Mar. 7, 2007], Retrieved from the Bessey Tool GmbH & Co. KG website using Internet <URL: <http://www.bessey.de/catalogue/catalogue.do?id=357&favOid=000000000002dea000....com>>.

(51) **LOC (9) Cl.** **08-08**

(52) **U.S. Cl.** **D8/394**

(58) **Field of Classification Search** D8/71–73,
D8/394, 382, 349, 499, 390, 330, 14; D25/122,
D25/60; 51/204.5; D21/694; 600/583
See application file for complete search history.

Primary Examiner—Robert M Spear
Assistant Examiner—Cynthia Underwood
(74) *Attorney, Agent, or Firm*—Lipsitz & McAllister, LLC

(57) **CLAIM**

(56) **References Cited**

The ornamental design for slide rail for a clamp, as shown and described.

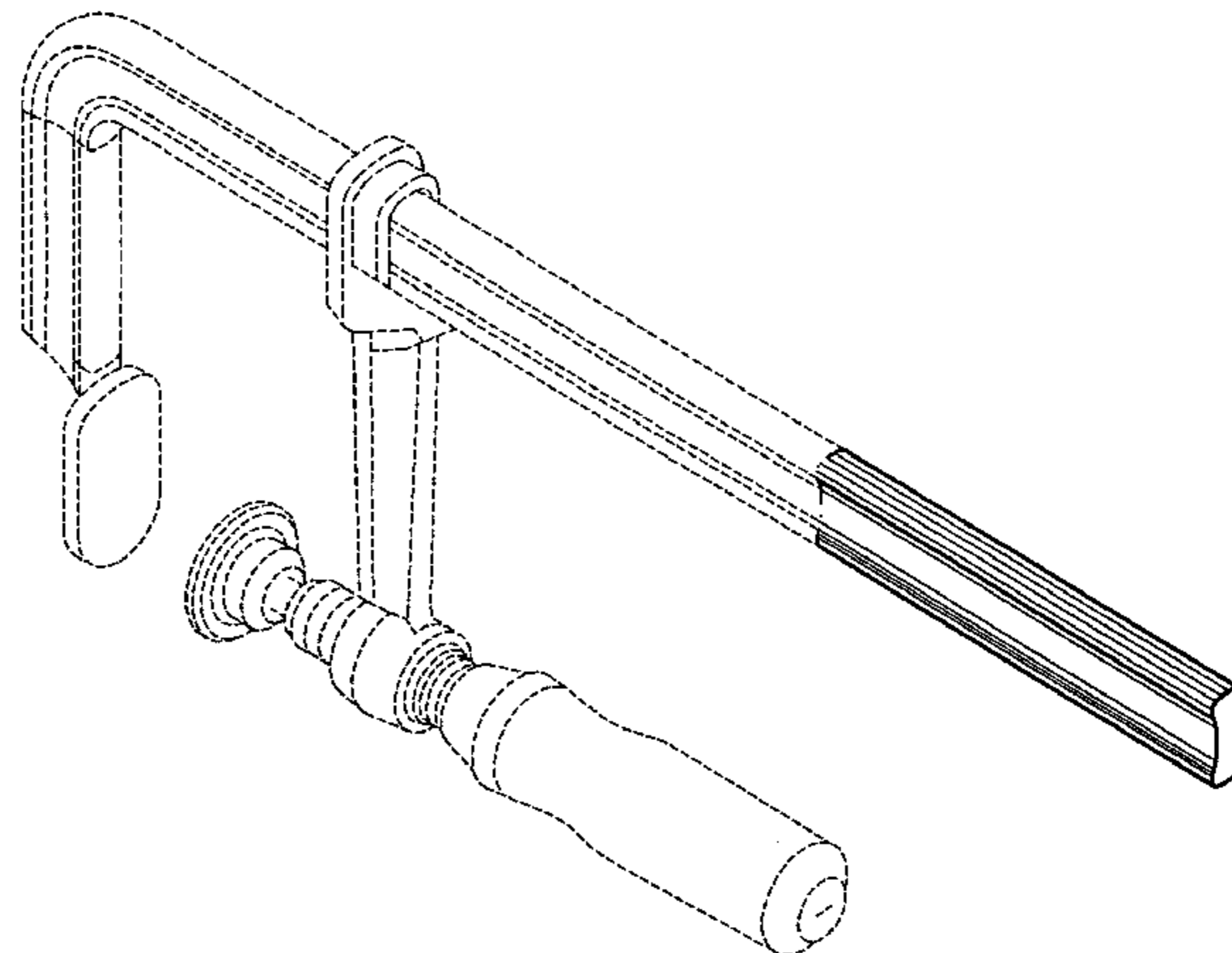
U.S. PATENT DOCUMENTS

- D24,757 S * 10/1895 Howard D8/393
- D25,087 S * 1/1896 Wilson D8/393
- D28,085 S * 12/1897 Sandstrom D25/121
- D134,792 S * 1/1943 Beil D25/121
- D193,736 S * 10/1962 Yandt D8/72
- D219,877 S * 2/1971 Thompson D25/122
- D221,730 S * 9/1971 Marietta D8/390
- D272,711 S * 2/1984 Griset D8/71
- D285,170 S * 8/1986 Knight et al. D8/394
- D296,575 S * 7/1988 McNeil D21/694
- D331,188 S * 11/1992 Stolk D8/394
- D364,081 S * 11/1995 Yates et al. D8/330
- D406,094 S * 2/1999 Lai D12/220
- D473,661 S * 4/2003 Kim D25/60
- D478,271 S * 8/2003 McCoy et al. D8/376

DESCRIPTION

FIG. 1 is a front end, top and right side perspective view of the design;
FIG. 2 is a front end elevational view of the design, the back end being identical;
FIG. 3 is a right side elevational view of the design, the left side being identical;
FIG. 4 is a top plan view of the design, the bottom being identical; and,
FIG. 5 is a back end, top and left side perspective view of the design, in which the broken lines represent the item in use and form no part of the claim.

1 Claim, 5 Drawing Sheets



US D612,715 S

Page 2

U.S. PATENT DOCUMENTS

D543,821 S 6/2007 Ranieri
D545,161 S 6/2007 Ranieri
D549,063 S * 8/2007 Pribyl et al. D8/73
D576,850 S * 9/2008 Lee et al. D8/14
D593,277 S * 6/2009 Wylie D1/199

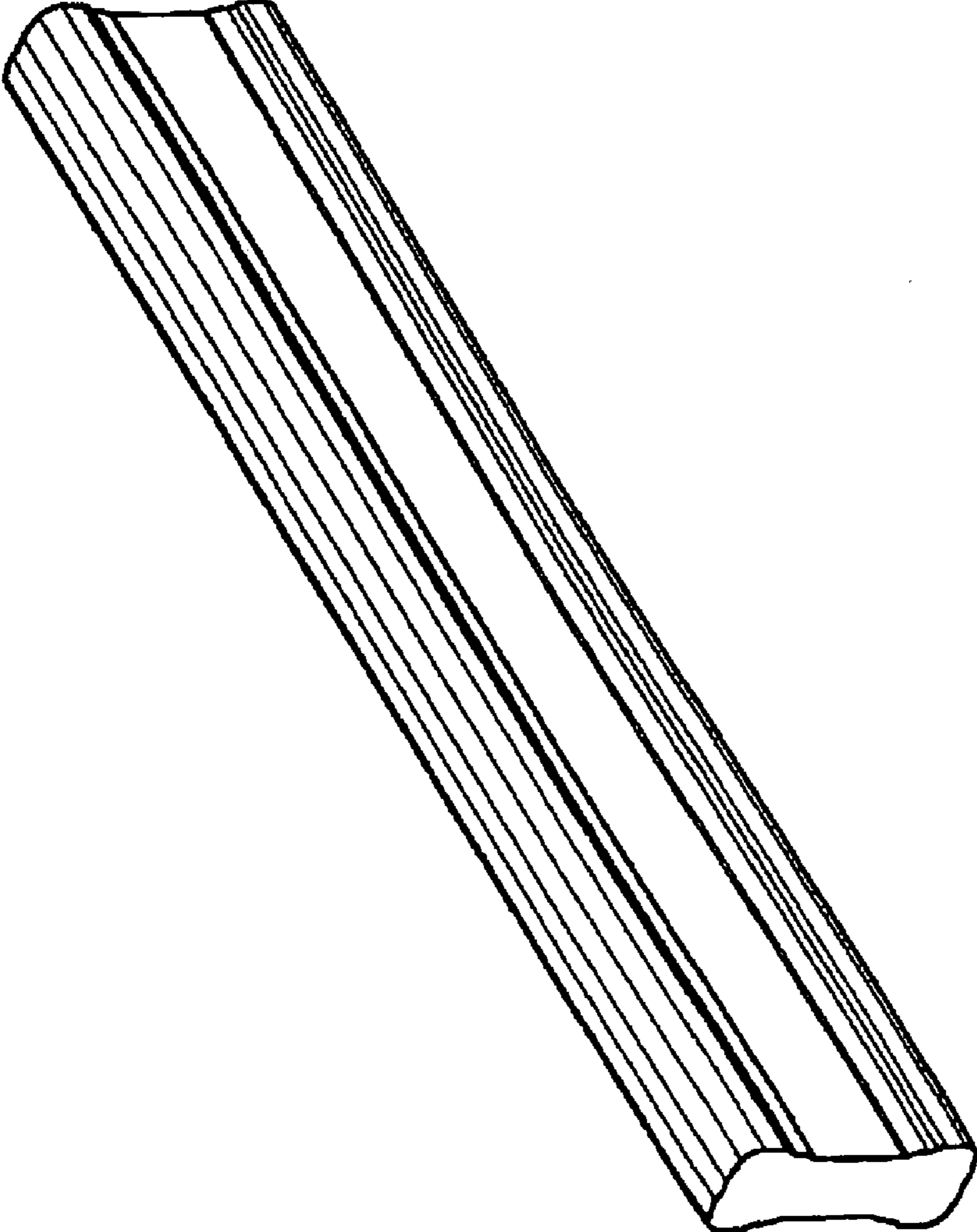
2009/0187118 A1* 7/2009 Kim et al. 600/583

FOREIGN PATENT DOCUMENTS

TW 279095 6/1996

* cited by examiner

FIG. 1



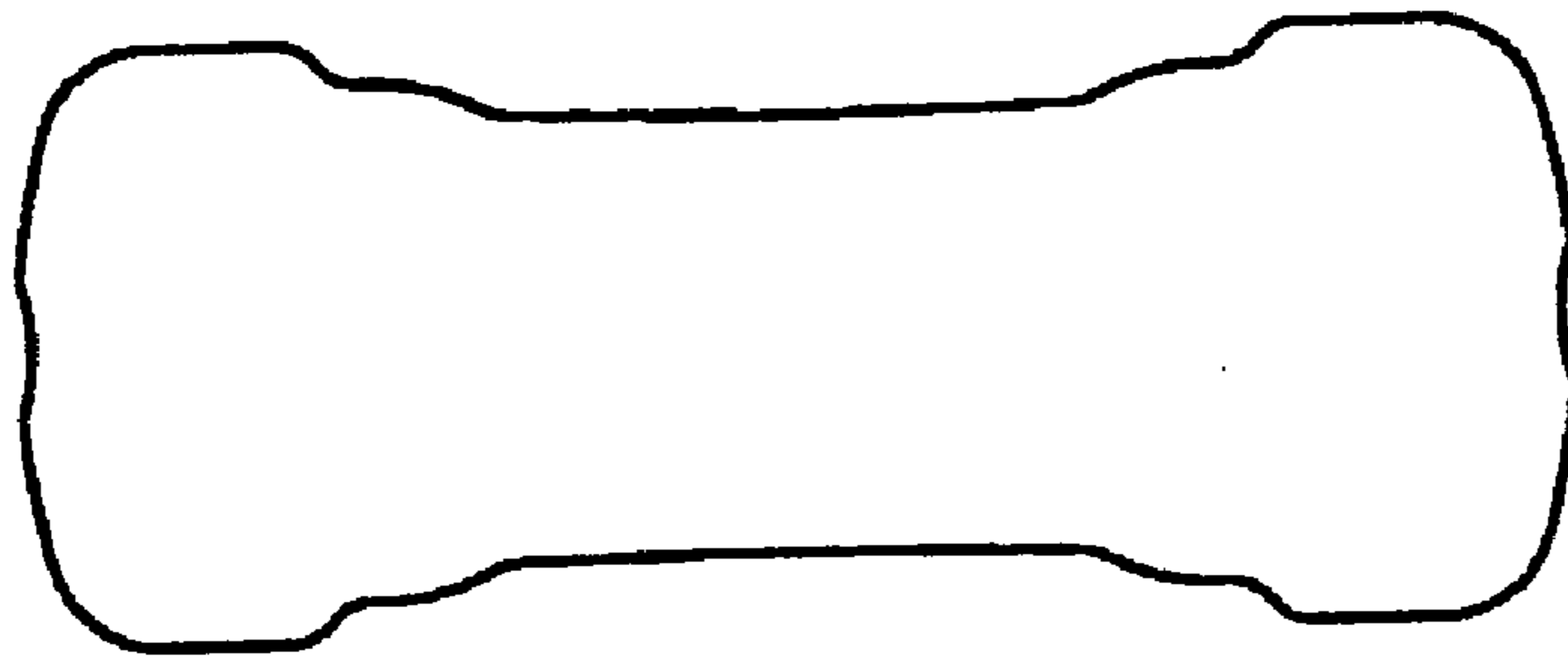


FIG. 2

FIG. 3

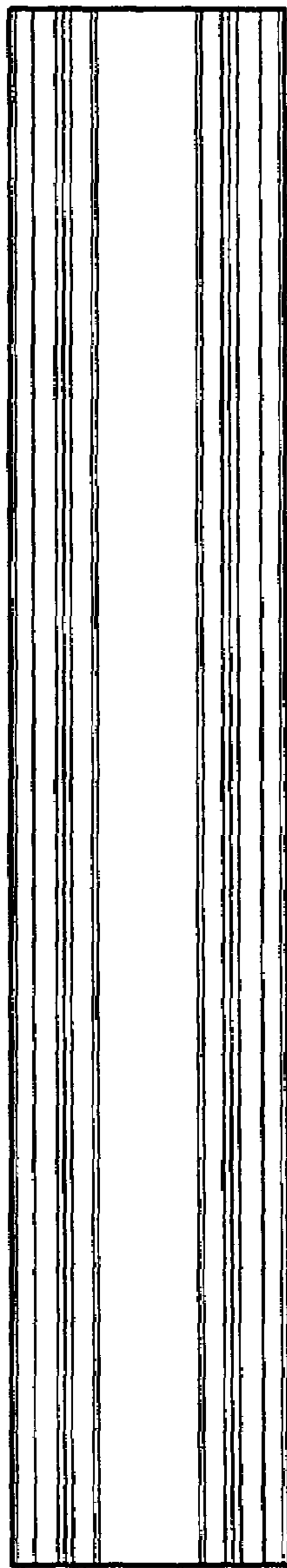


FIG. 4



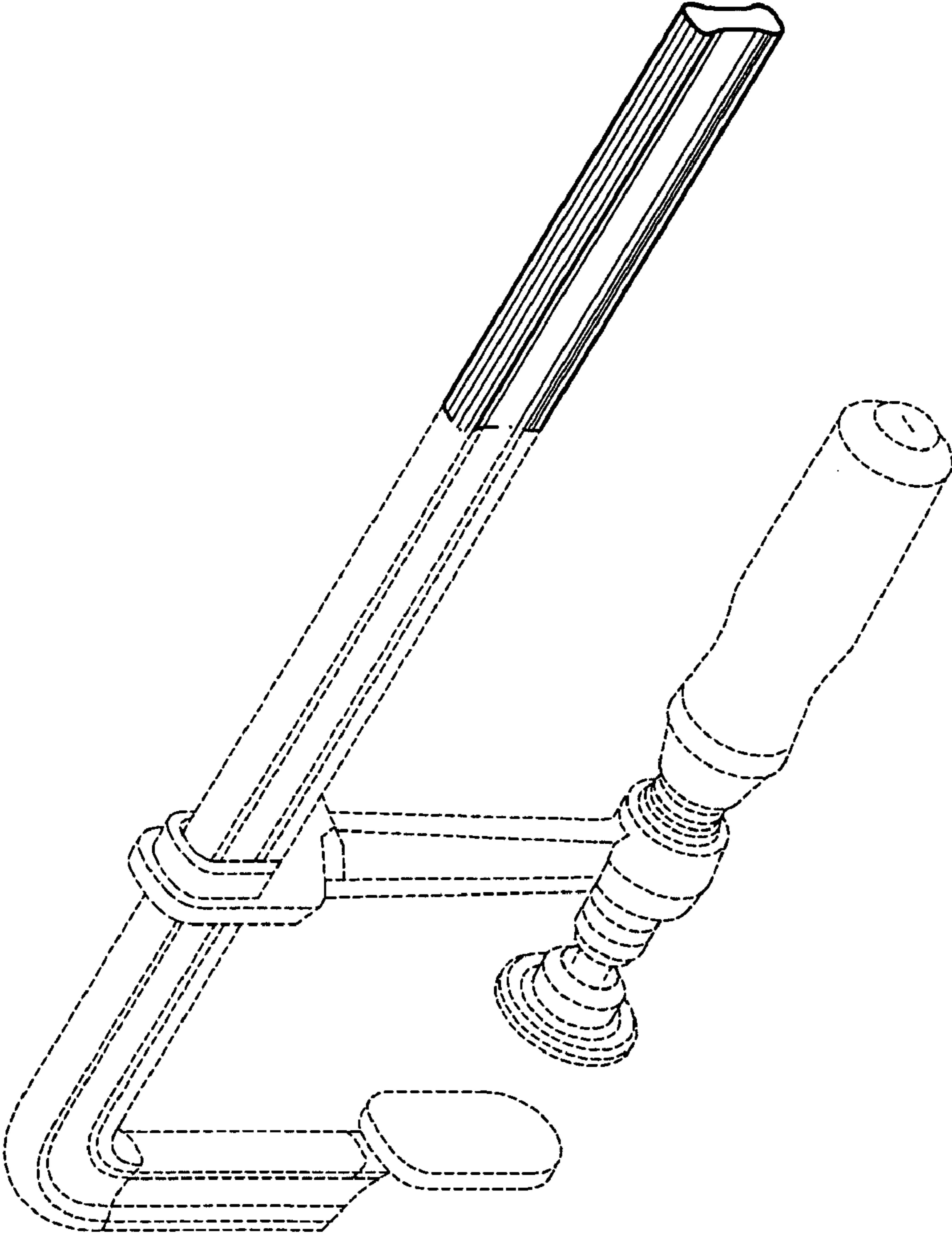


FIG. 5