



US00D612713S

(12) **United States Design Patent**
Konecnik

(10) **Patent No.:** **US D612,713 S**

(45) **Date of Patent:** **** *Mar. 30, 2010**

(54) **SCREW DEVICE**

D573,877 S * 7/2008 Vautour D8/387
D590,703 S * 4/2009 Suehiro et al. D8/387

(76) Inventor: **Ernst Konecnik**, Edinsvägen 1, 131 45
Nacka (SE)

* cited by examiner

(*) Notice: This patent is subject to a terminal disclaimer.

Primary Examiner—Holly H Baynham

Assistant Examiner—Sheryl Lane

(74) *Attorney, Agent, or Firm*—Fasth Law Offices; Rolf Fasth

(**) Term: **14 Years**

(57) **CLAIM**

(21) Appl. No.: **29/327,512**

The ornamental design for a screw device, as shown and described.

(22) Filed: **Nov. 7, 2008**

DESCRIPTION

(51) **LOC (9) Cl.** **08-08**

FIG. 1 is a perspective view of the screw device of the present invention;

(52) **U.S. Cl.** **D8/387**

FIG. 2 is an elevational side view of the screw device shown in FIG. 1;

(58) **Field of Classification Search** D8/387,
D8/398, 388; 411/435, 437, 510, 427, 337,
411/429, 400, 378, 393, 402, 403, 6

FIG. 3 is a left side view of the screw device shown in FIG. 1;

See application file for complete search history.

FIG. 4 is an elevational front view of the screw device shown in FIG. 1; and,

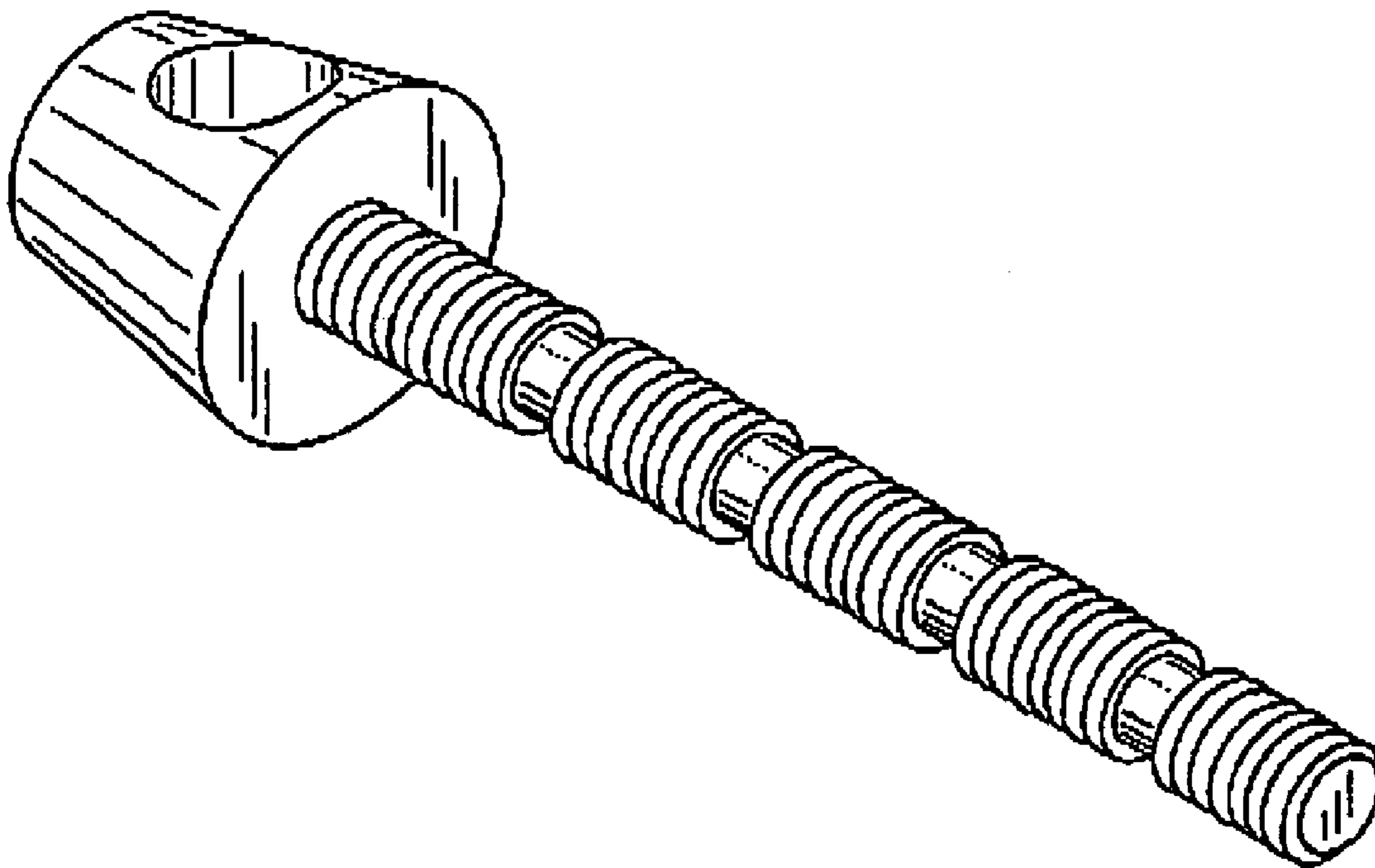
(56) **References Cited**

FIG. 5 is an elevational rear view of the screw device shown in FIG. 1.

U.S. PATENT DOCUMENTS

1,024,100 A * 4/1912 Recker 411/402
2,770,998 A * 11/1956 Schwartz 411/403
6,017,177 A * 1/2000 Lanham 411/410

1 Claim, 1 Drawing Sheet



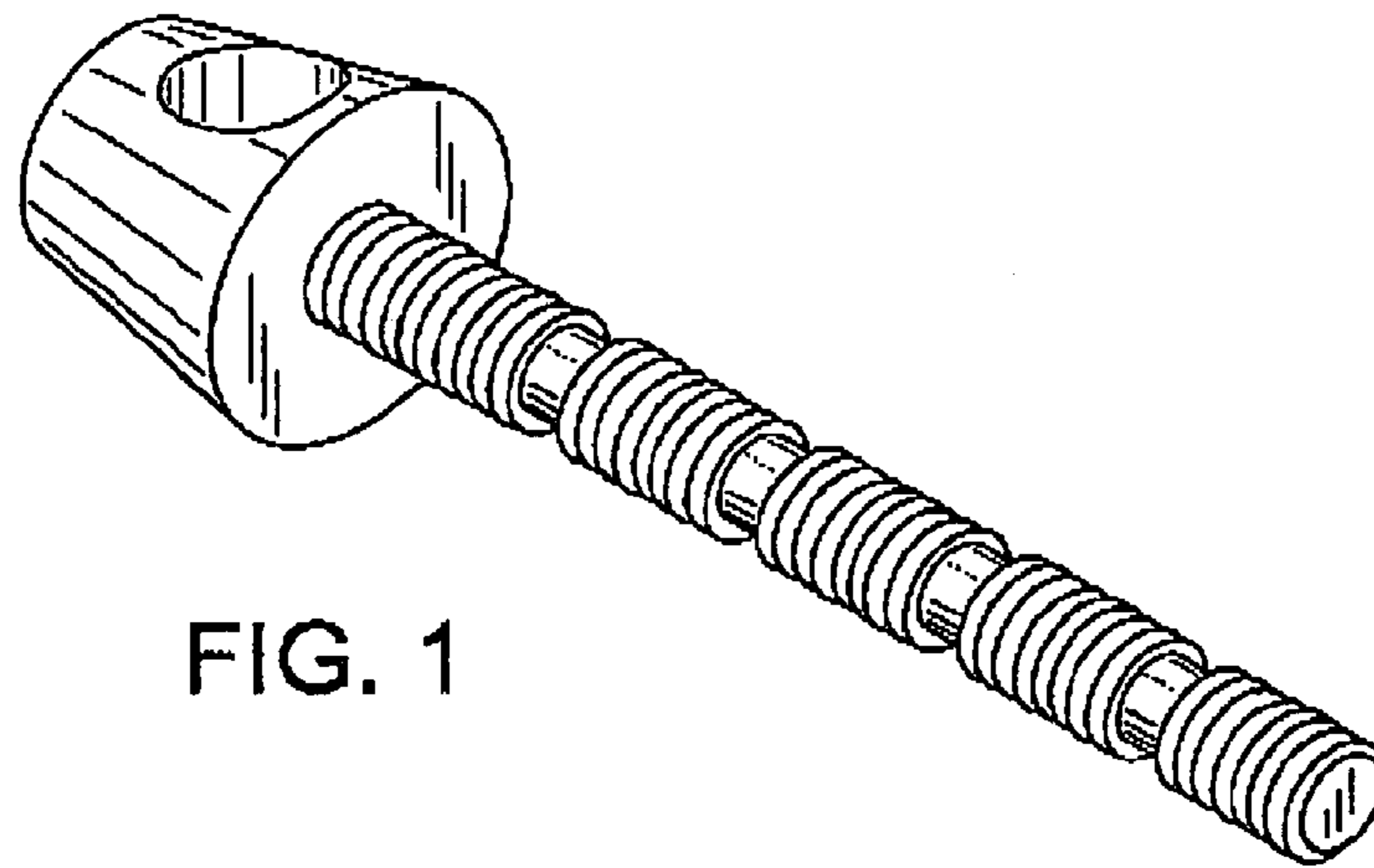


FIG. 1

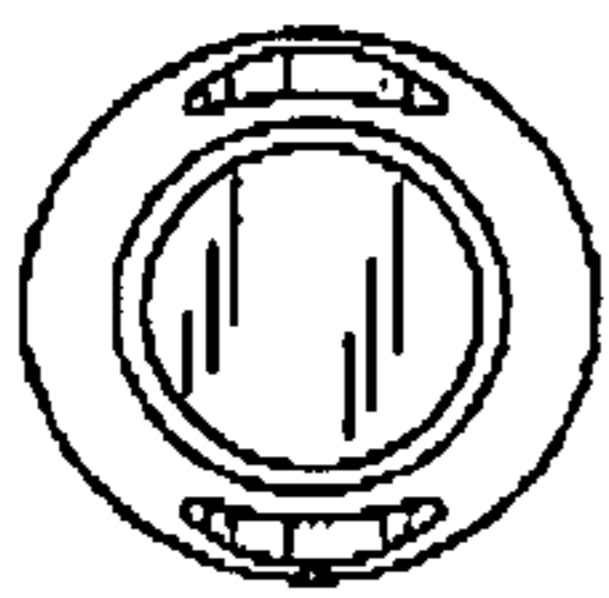


FIG. 4

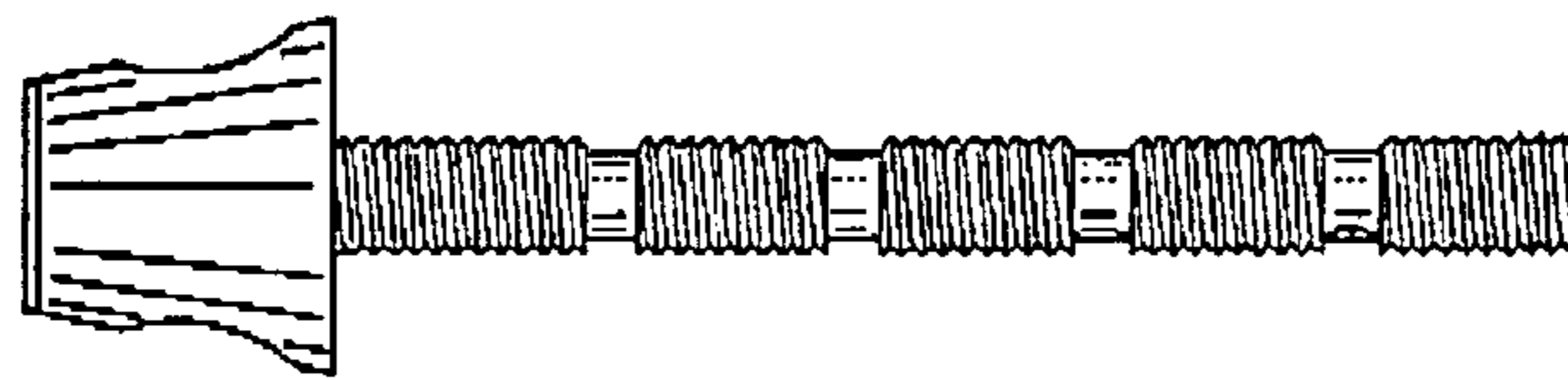


FIG. 2

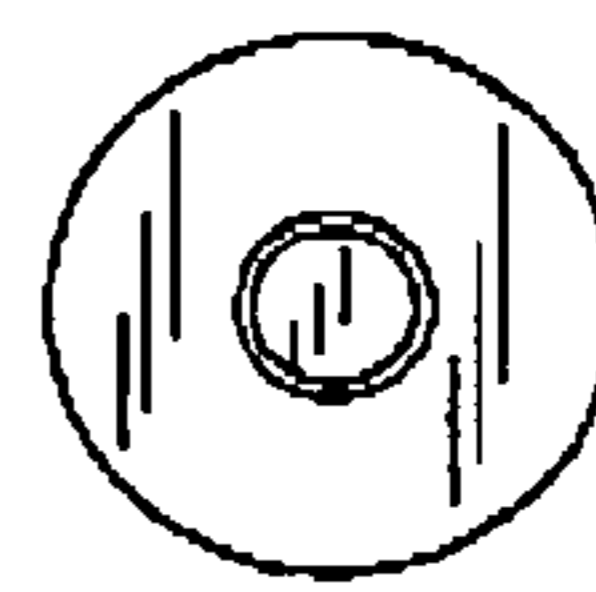


FIG. 5

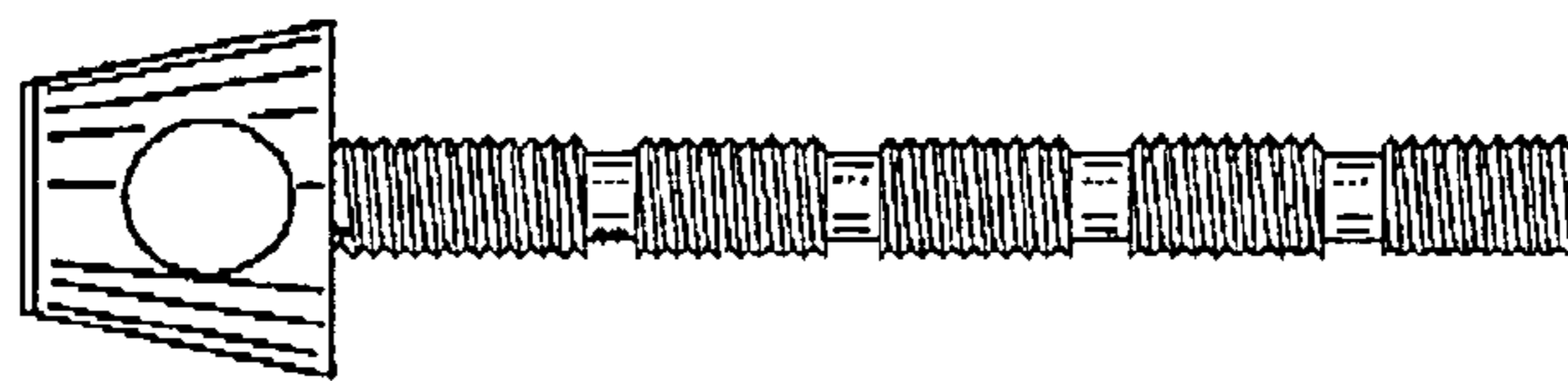


FIG. 3