



US00D612712S

(12) **United States Design Patent**
Rix

(10) **Patent No.:** **US D612,712 S**
(45) **Date of Patent:** **** Mar. 30, 2010**

(54) **POLE MOUNT FOR CAMERA ENCLOSURES**

D367,284 S * 2/1996 Hoerter D16/242
5,497,214 A * 3/1996 Labree 396/428
5,839,704 A * 11/1998 Appleman 248/178.1

(75) Inventor: **John F. Rix**, Tucson, AZ (US)

* cited by examiner

(73) Assignee: **IPVision, Inc.**, Tucson, AZ (US)

Primary Examiner—Robert M Spear
Assistant Examiner—Barbara B Lohr
(74) *Attorney, Agent, or Firm*—Hayes Soloway P.C.

(**) Term: **14 Years**

(21) Appl. No.: **29/329,666**

(57) **CLAIM**

(22) Filed: **Dec. 18, 2008**

The ornamental design for a pole mount for camera enclosures, as shown and described.

(51) **LOC (9) Cl.** **08-05**

(52) **U.S. Cl.** **D8/363**; D16/242

(58) **Field of Classification Search** D8/363;
D16/200, 201, 202, 203, 204, 237, 239, 240,
D16/242; 396/428, 432; 248/177, 178.1,
248/214, 230, 231.4; 358/81, 82, 229, 906;
D22/107; 224/916; 354/81, 82, 293
See application file for complete search history.

DESCRIPTION

FIG. 1 is a perspective view of a pole mount for camera enclosures in accordance with my invention;
FIG. 2 is a front elevational view thereof;
FIG. 3 is a rear elevational view thereof;
FIG. 4 is a left side elevational view thereof, the right side being a mirror image thereof;
FIG. 5 is a top end view thereof; and,
FIG. 6 is a bottom end view thereof.

(56) **References Cited**

U.S. PATENT DOCUMENTS

D340,940 S * 11/1993 Ellenberger et al. D16/242
5,260,731 A * 11/1993 Baker, Jr. 396/428
5,469,236 A * 11/1995 Roessel 396/432

1 Claim, 6 Drawing Sheets

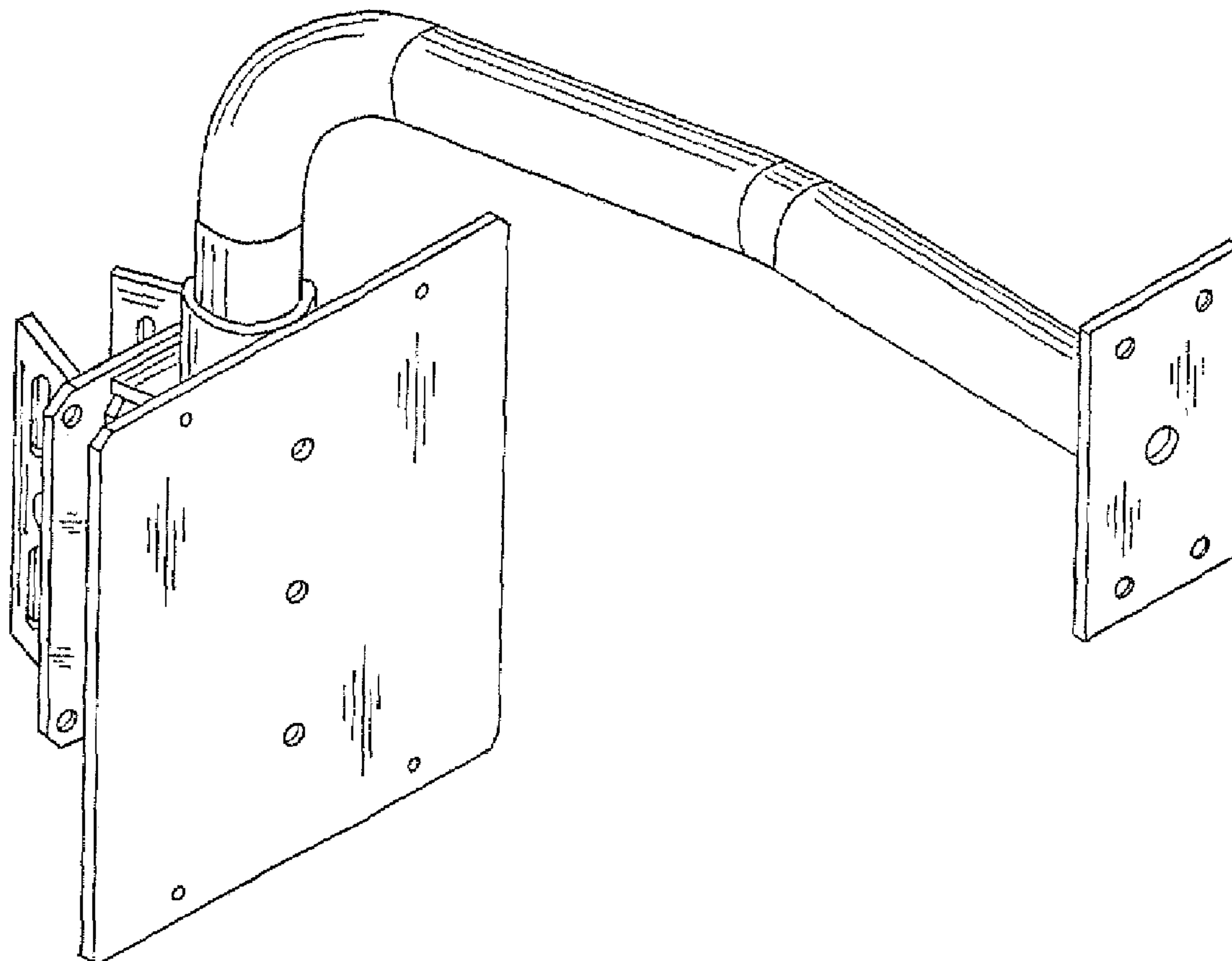


FIG. 1

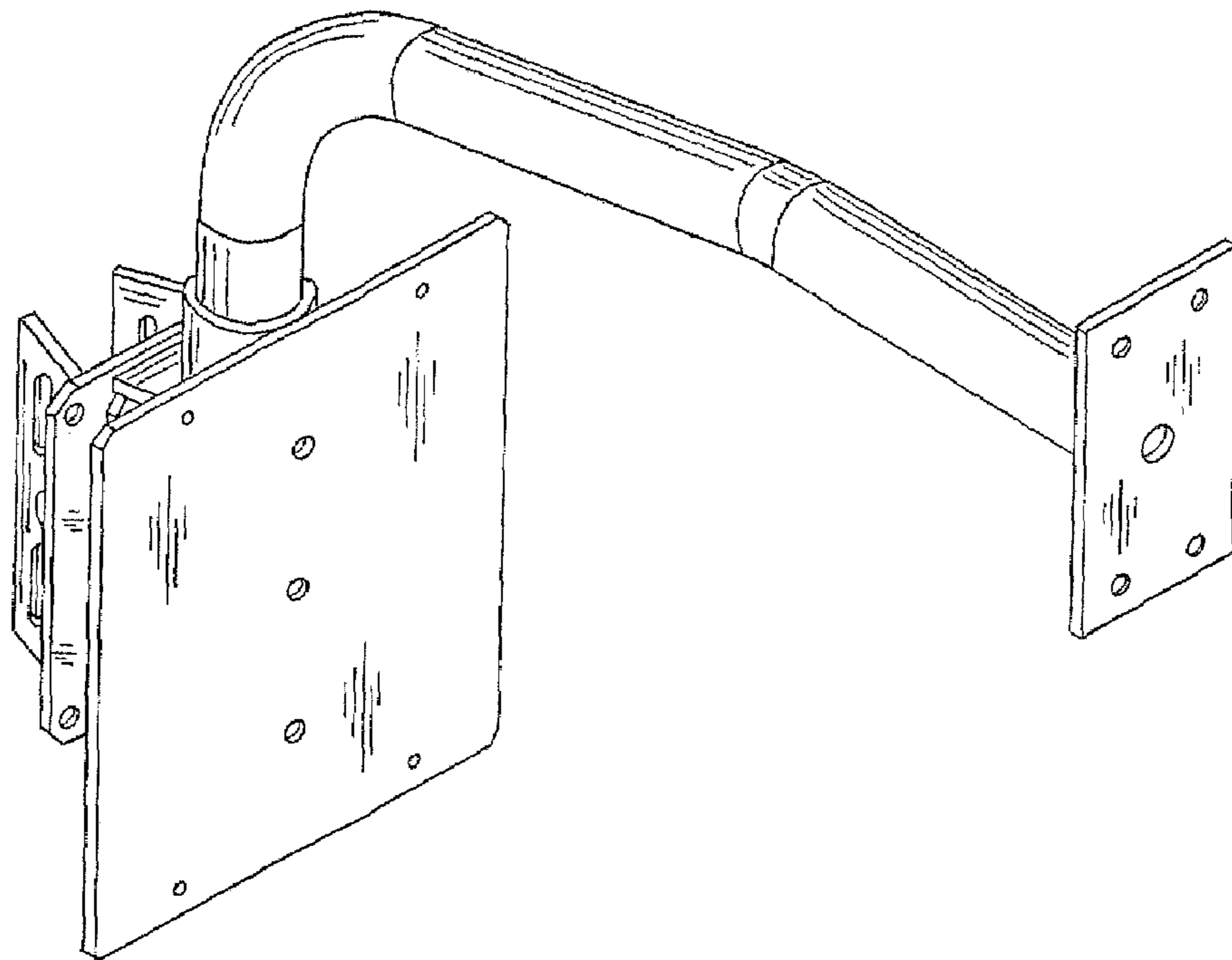


FIG. 2

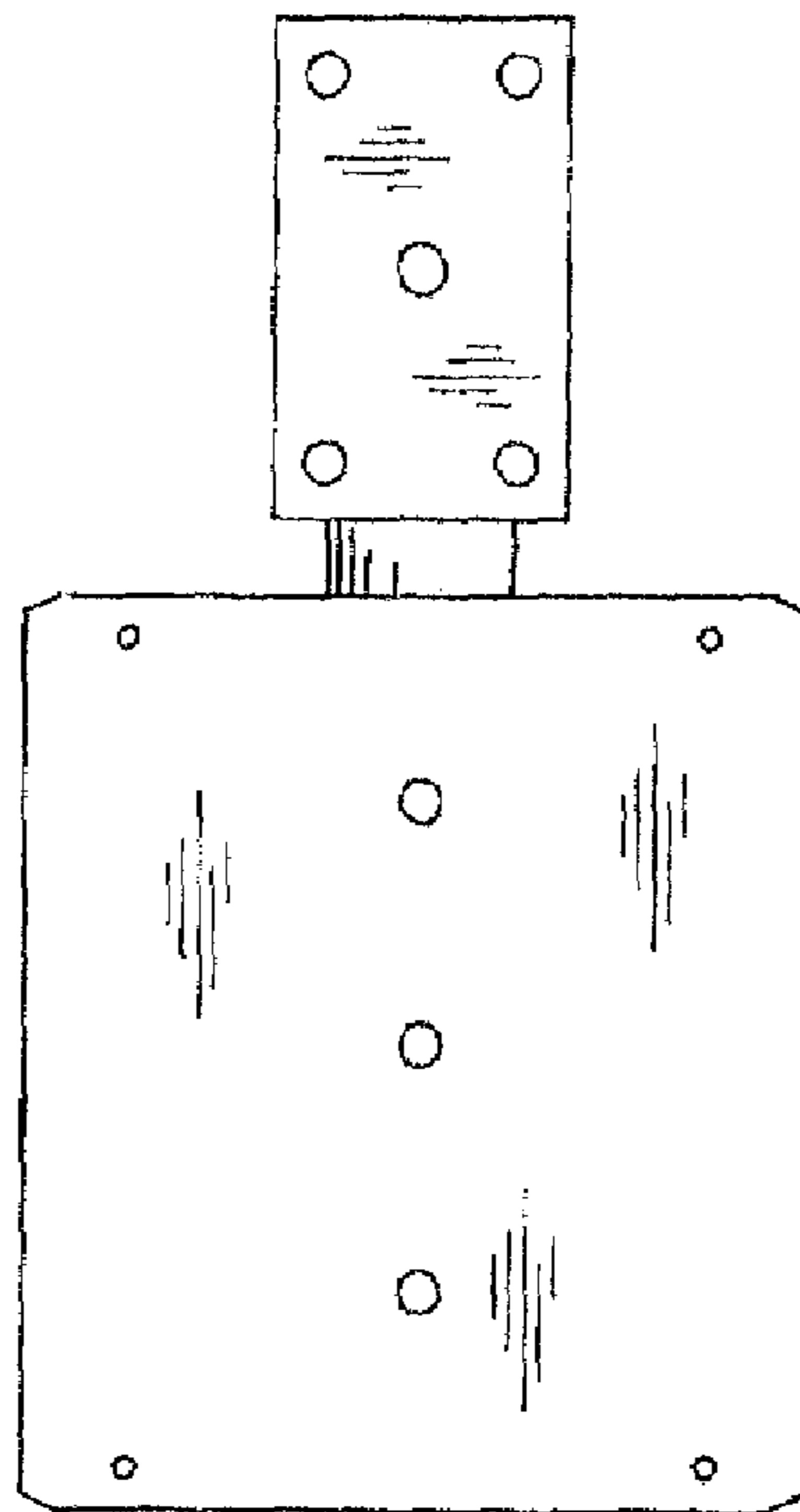


FIG. 3

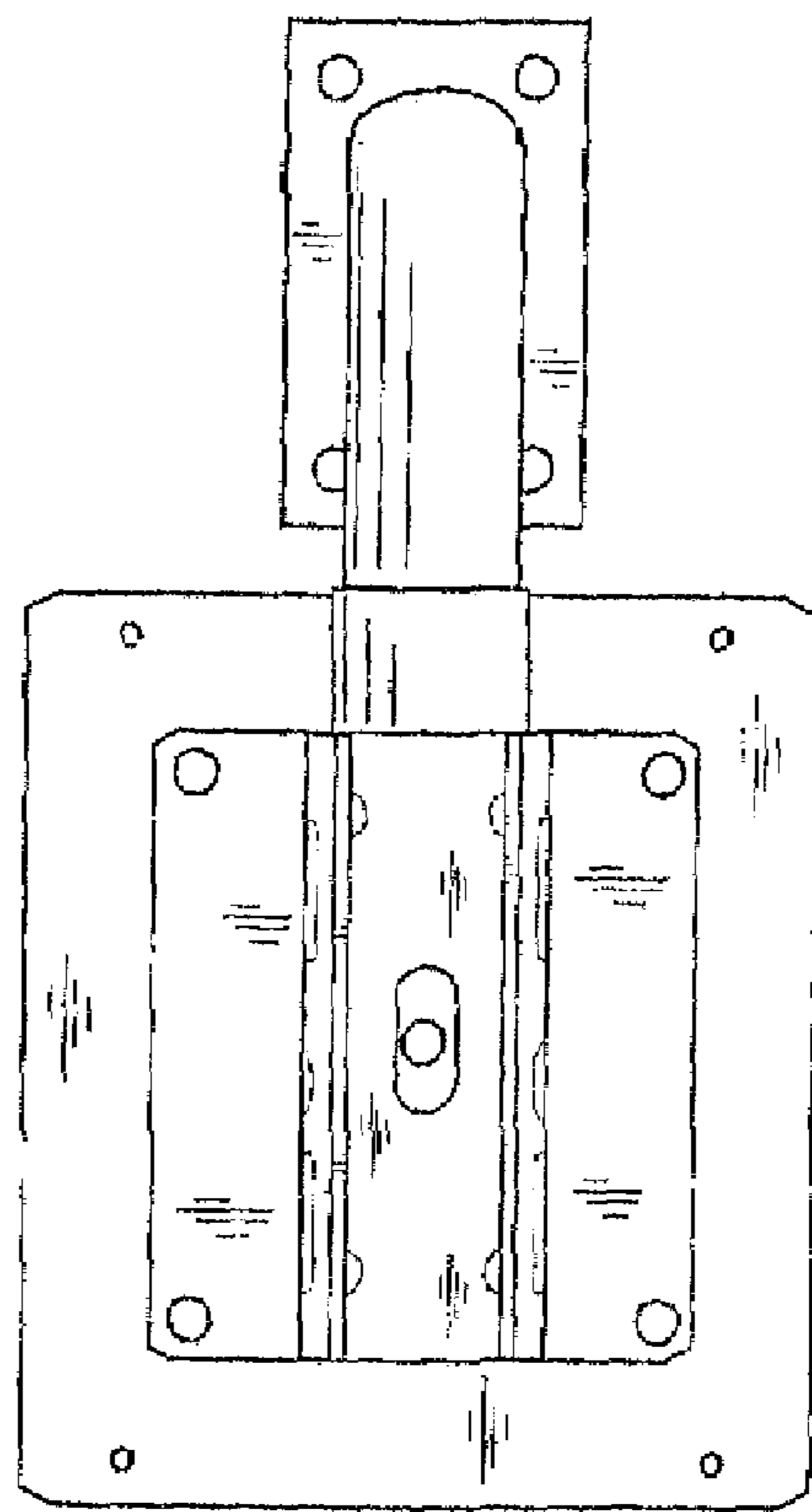


FIG. 4

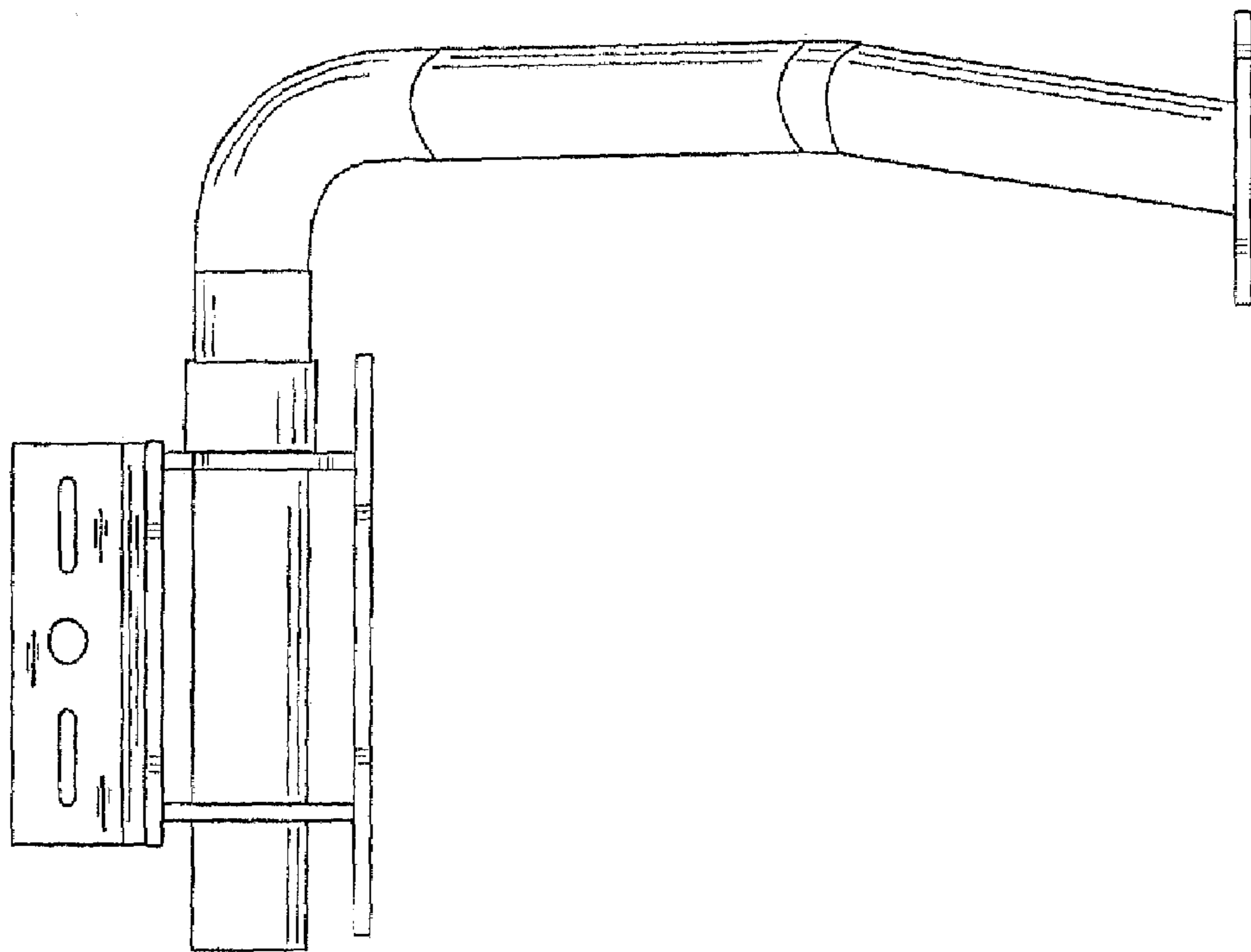


FIG. 5

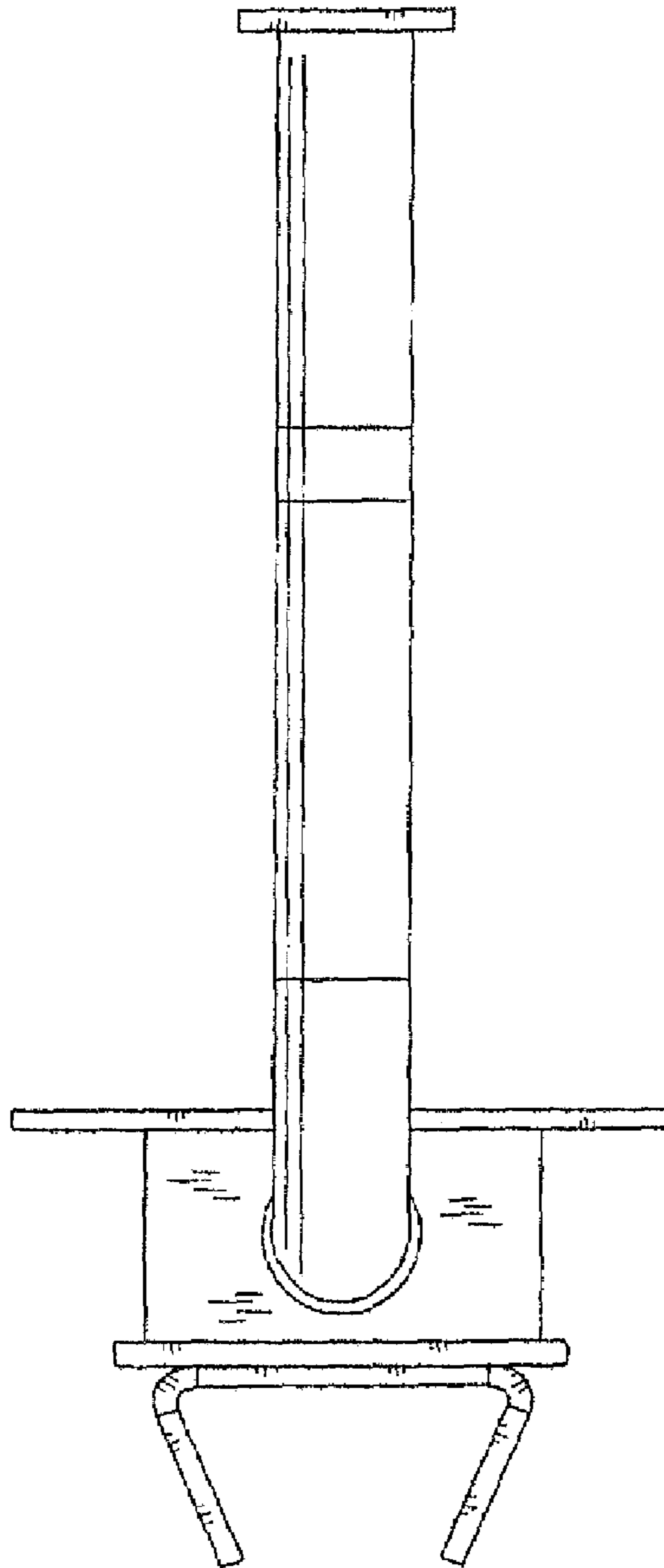


FIG. 6

