



US00D612710S

(12) **United States Design Patent**
Kelleghan

(10) **Patent No.:** **US D612,710 S**
(45) **Date of Patent:** **** Mar. 30, 2010**

- (54) **TWISTED CARABINER**
- (75) Inventor: **Brian James Kelleghan**, Longmont, CO (US)
- (73) Assignee: **Bison Designs, LLC**, Longmont, CO (US)
- (**) Term: **14 Years**
- (21) Appl. No.: **29/340,428**
- (22) Filed: **Jul. 17, 2009**
- (51) **LOC (9) Cl.** **08-08**
- (52) **U.S. Cl.** **D8/356**
- (58) **Field of Classification Search** D8/105, D8/107, 333, 349, 356, 358, 357, 367, 372, D8/373, 383; D11/200, 215; 24/573.11, 24/579.09, 579.11, 592.11, 599.1, 599.9, 24/600.1; 182/5

See application file for complete search history.

(56) **References Cited**

U.S. PATENT DOCUMENTS

25,082 A	8/1859	Pollak
180,174 A	7/1876	Timmens

(Continued)

OTHER PUBLICATIONS

U.S. Appl. No. 29/338,599, filed Jun. 15, 2009; Inventor: Brian James Kelleghan.

Primary Examiner—Robert M Spear

Assistant Examiner—Karen Acker

(74) *Attorney, Agent, or Firm*—Margaret Polson; Oppedahl Patent Law Firm LLC

(57) **CLAIM**

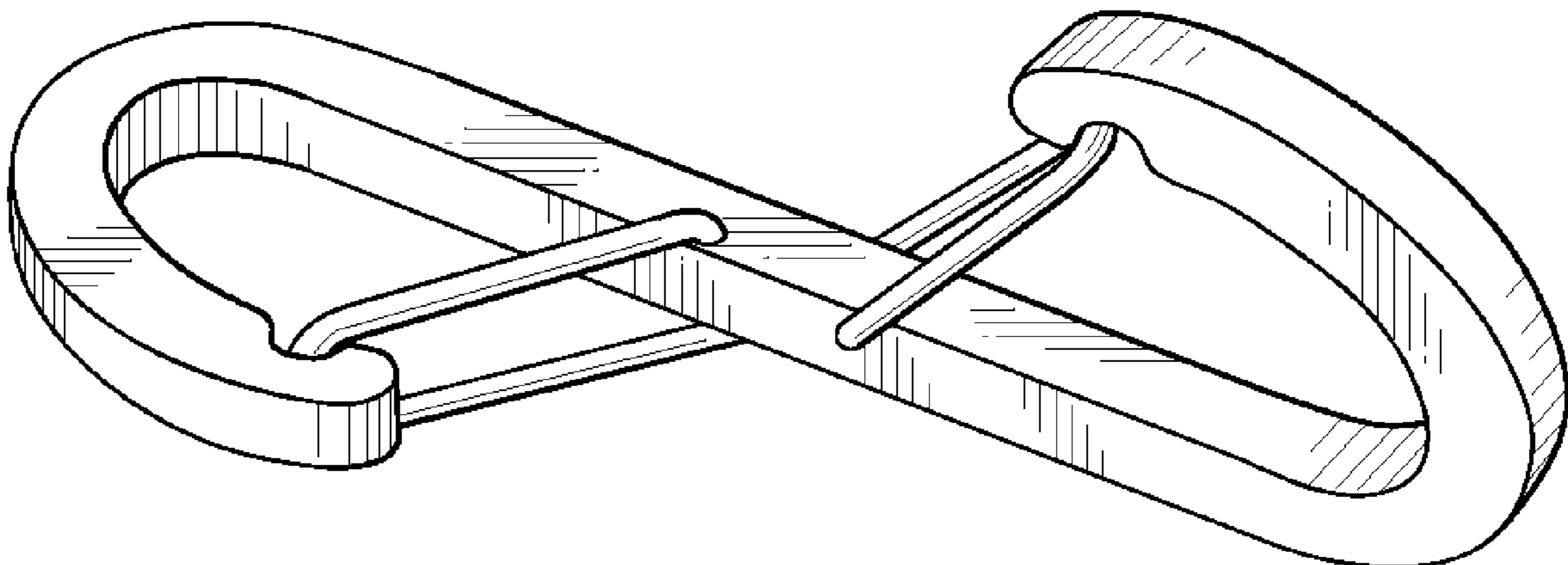
The ornamental design for a twisted carabiner, as shown and described.

DESCRIPTION

FIG. 1 is a right side elevation view of my new design for a twisted carabiner.

- FIG. 2 is a bottom plan view of FIG. 1.
- FIG. 3 is a top plan elevation view of FIG. 1.
- FIG. 4 is a left side elevation view of FIG. 1.
- FIG. 5 is a rear side elevation view of FIG. 1.
- FIG. 6 is front side elevation view of FIG. 1.
- FIG. 7 is a top perspective view of FIG. 1.
- FIG. 8 is a left side elevation view of an alternate embodiment of my new design for a twisted carabiner.
- FIG. 9 is a bottom plan view of FIG. 8.
- FIG. 10 is a top plan view of FIG. 8.
- FIG. 11 is right side elevation view of FIG. 8.
- FIG. 12 is a rear side elevation view of FIG. 8.
- FIG. 13 is a front side elevation view of FIG. 8.
- FIG. 14 is a top perspective view of FIG. 8.
- FIG. 15 is a right side elevation view of an alternate embodiment of my new design for a twisted carabiner.
- FIG. 16 is a bottom plan view of FIG. 15.
- FIG. 17 is a top plan view of FIG. 15.
- FIG. 18 is a left side elevation view of FIG. 15.
- FIG. 19 is a rear side elevation view of FIG. 15.
- FIG. 20 is a front side elevation view of FIG. 15.
- FIG. 21 is a top perspective view of FIG. 15.
- FIG. 22 is a left side elevation view of an alternate embodiment of my new design for a twisted carabiner.
- FIG. 23 is a bottom plan view of FIG. 22.
- FIG. 24 is a top plan view of FIG. 22.
- FIG. 25 is a right side elevation view of FIG. 22.
- FIG. 26 is rear side elevation view of FIG. 22.
- FIG. 27 is a front side elevation view of FIG. 22; and,
- FIG. 28 is a top perspective view of FIG. 22.

1 Claim, 4 Drawing Sheets



US D612,710 S

Page 2

U.S. PATENT DOCUMENTS

203,461 A	5/1878	Jones					
539,577 A	5/1895	Elblein					
571,370 A *	11/1896	Hunt	278/113			
D34,263 S *	3/1901	Bailey	D8/395			
D34,560 S *	5/1901	De Long	D19/65			
D34,899 S *	8/1901	Brockelbank	D8/499			
D55,819 S *	7/1920	Roebuck	D8/382			
1,446,002 A *	2/1923	Drews	294/82.19			
D271,465 S *	11/1983	Boissonnet	D8/367			
D281,483 S *	11/1985	Faidide	D8/367			
4,802,264 A	2/1989	Isenhardt					
D330,669 S *	11/1992	Hui-Chuan	D8/382			
5,416,955 A *	5/1995	Katsma	24/588.1			
D387,637 S *	12/1997	Salgy	D8/1			
D402,191 S *	12/1998	Feder	D8/395			
5,937,490 A *	8/1999	Mihailovic	24/600.1			
D433,929 S *	11/2000	Petzl	D8/383			
D444,685 S *	7/2001	Shenkel et al.	D8/18			
D448,276 S *	9/2001	Kelleghan	D8/356			
D455,642 S *	4/2002	Kelleghan	D8/367			
D462,891 S *	9/2002	Kelleghan	D8/372			
D466,791 S	12/2002	Kelleghan					
D482,269 S *	11/2003	Martello	D8/395			
D488,371 S	4/2004	Shaljian					
D492,188 S	6/2004	Goldberg					
D493,092 S	7/2004	Kalat					
D515,903 S *	2/2006	Kelleghan	D8/105			
D520,345 S *	5/2006	Kelleghan	D8/356			
D527,988 S *	9/2006	Shetler	D8/356			
D528,238 S *	9/2006	Kramer	D26/38			
D529,789 S *	10/2006	Klecker	D8/356			
D577,574 S	9/2008	Liang					
D581,255 S *	11/2008	Calvin	D8/356			
D590,699 S *	4/2009	Szymanski et al.	D8/373			
D594,738 S	6/2009	Kelleghan					
D600,534 S *	9/2009	Tokumoto	D8/354			
2003/0106190 A1 *	6/2003	Christianson	24/600.1			
2004/0143945 A1 *	7/2004	Christianson	24/600.1			
2005/0015945 A1 *	1/2005	Jensen et al.	24/599.6			
2005/0087662 A1	4/2005	Jacobs					
2008/0005876 A1 *	1/2008	Christianson	24/600.1			
2009/0000086 A1 *	1/2009	Bing	24/592.11			
2009/0178250 A1 *	7/2009	Brown et al.	24/600.1			
2009/0276983 A1 *	11/2009	Chan	24/369			

* cited by examiner

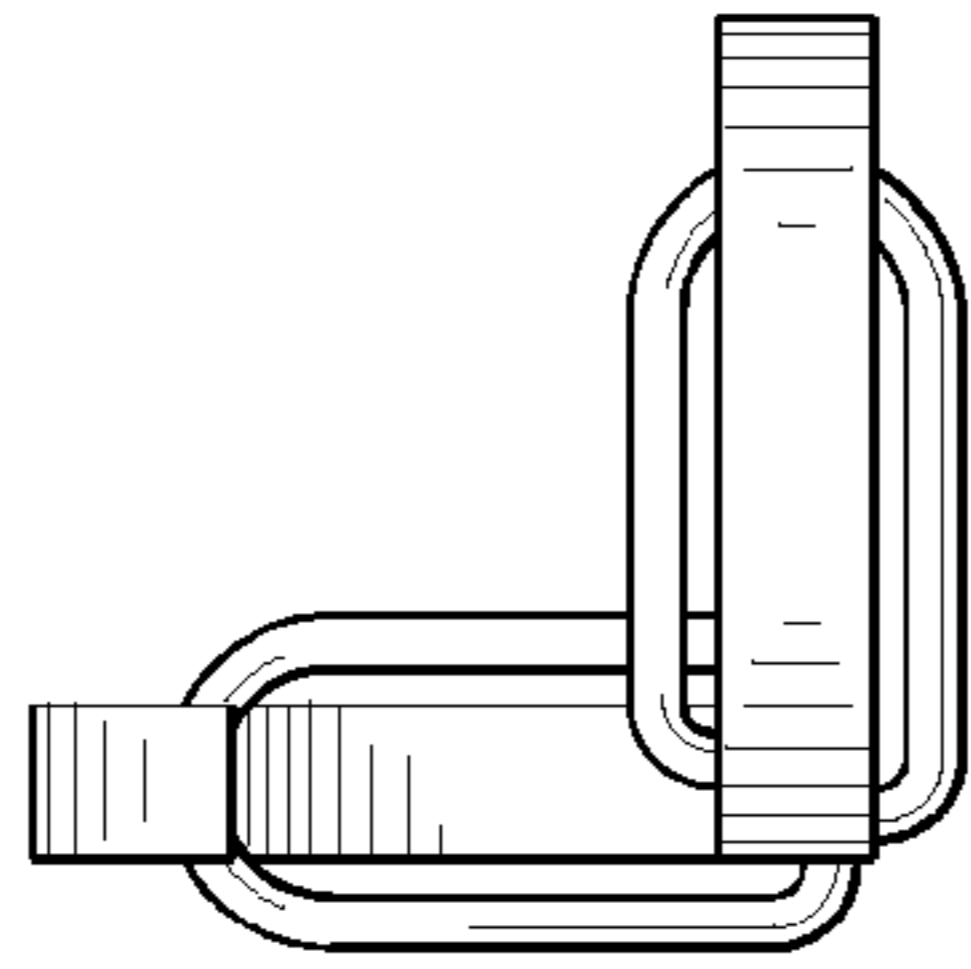


FIG. 5

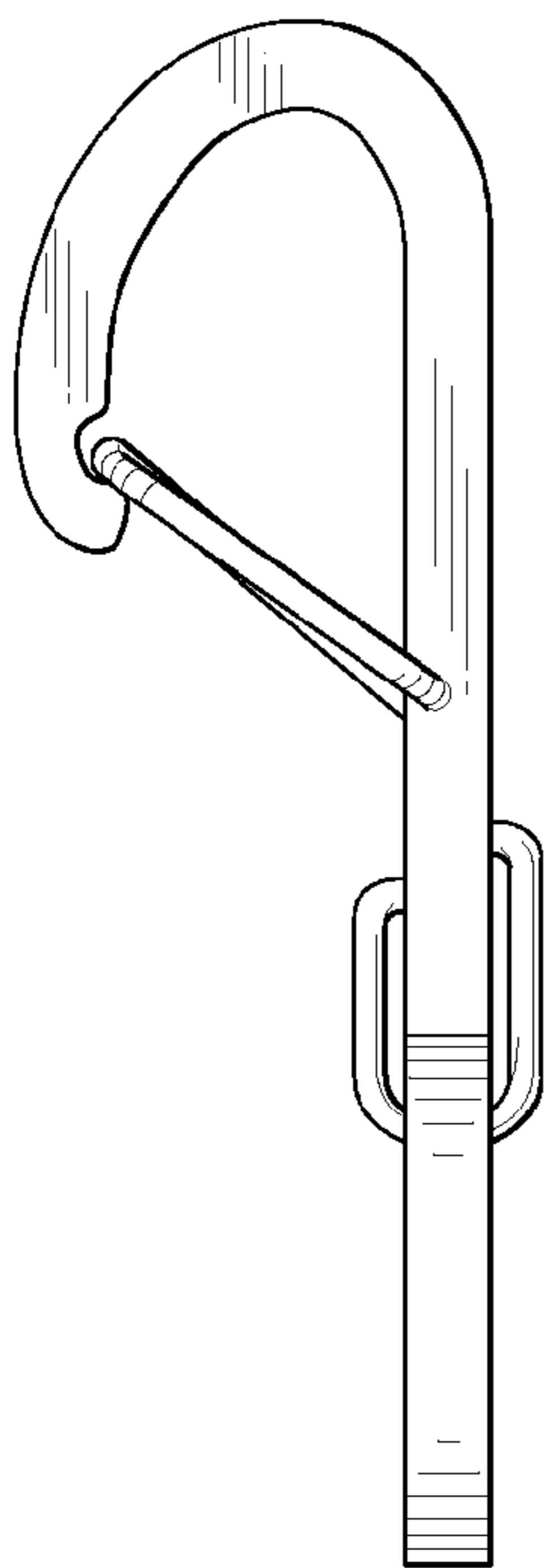


FIG. 3

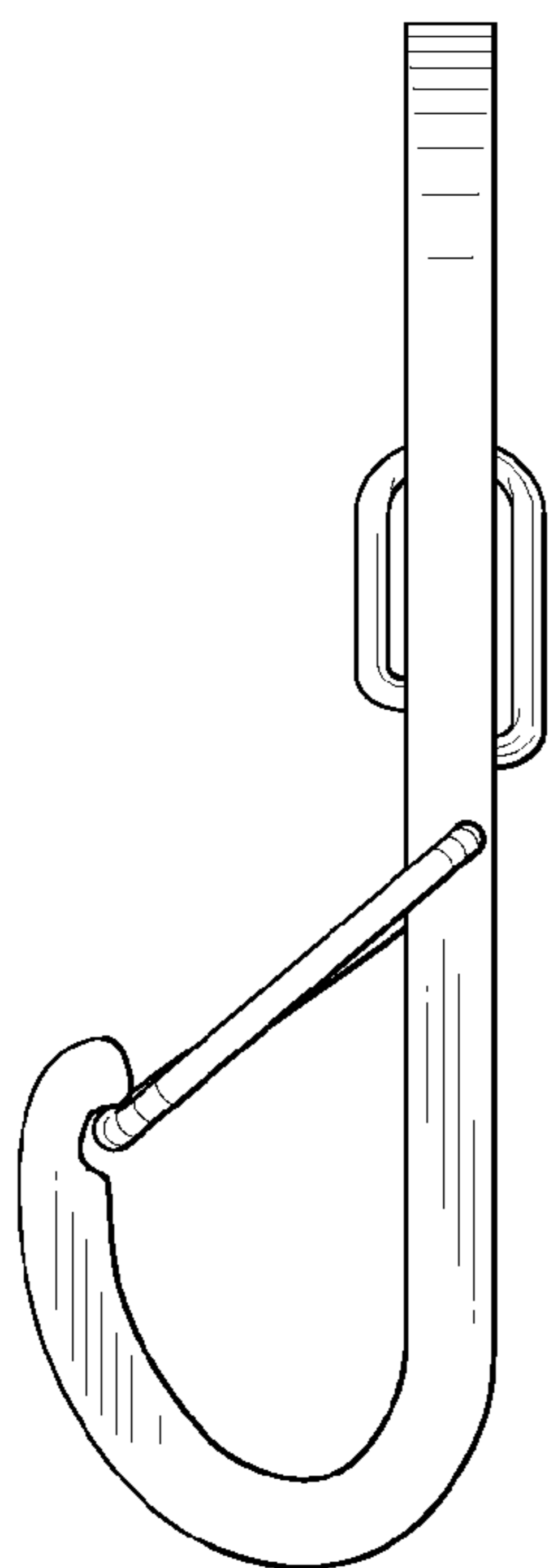


FIG. 1

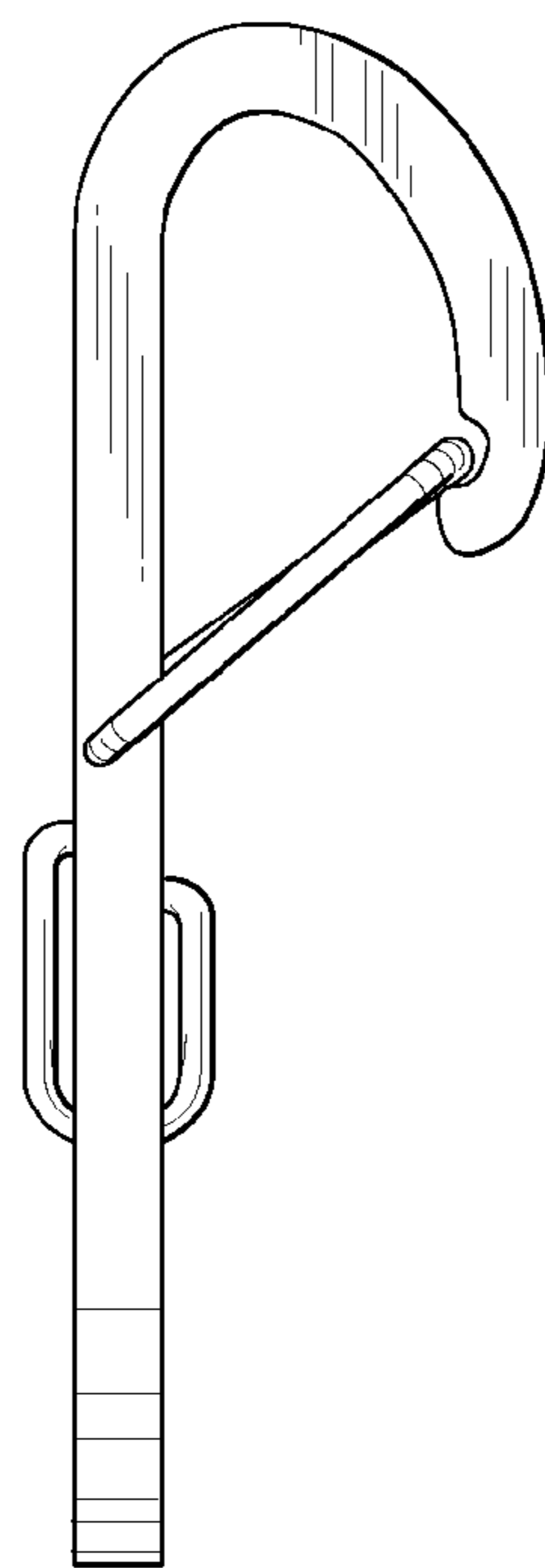


FIG. 2

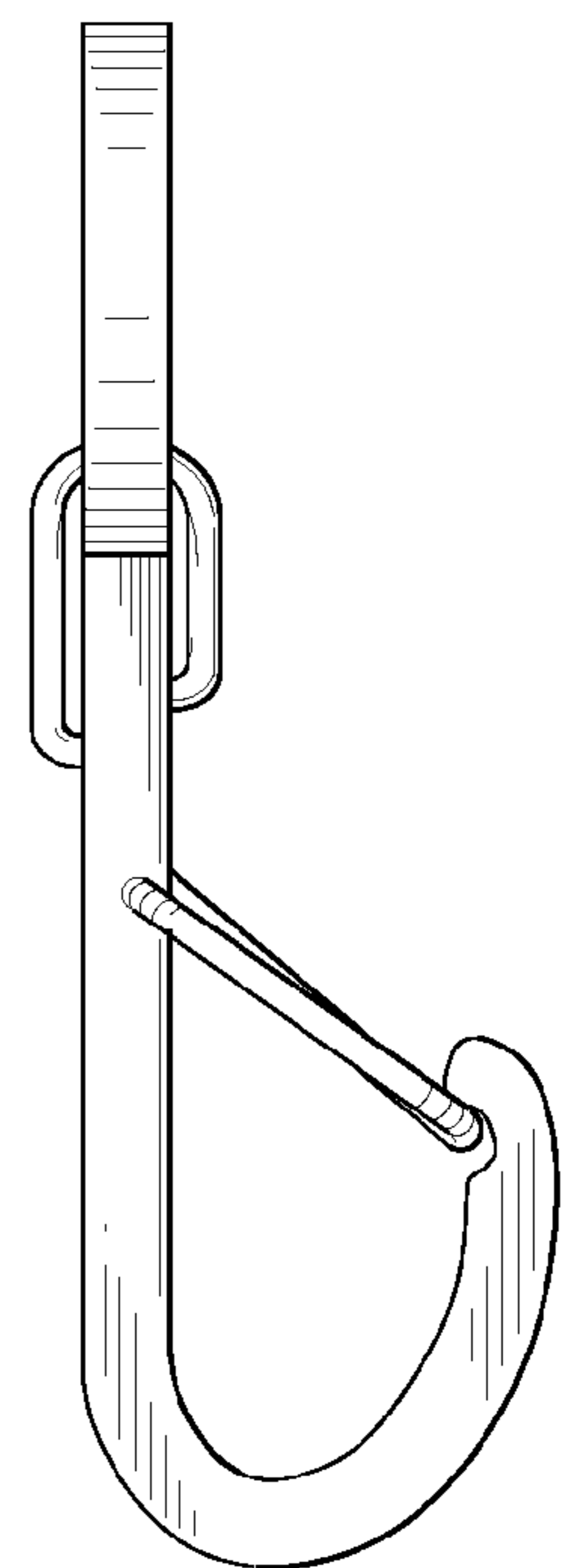


FIG. 4

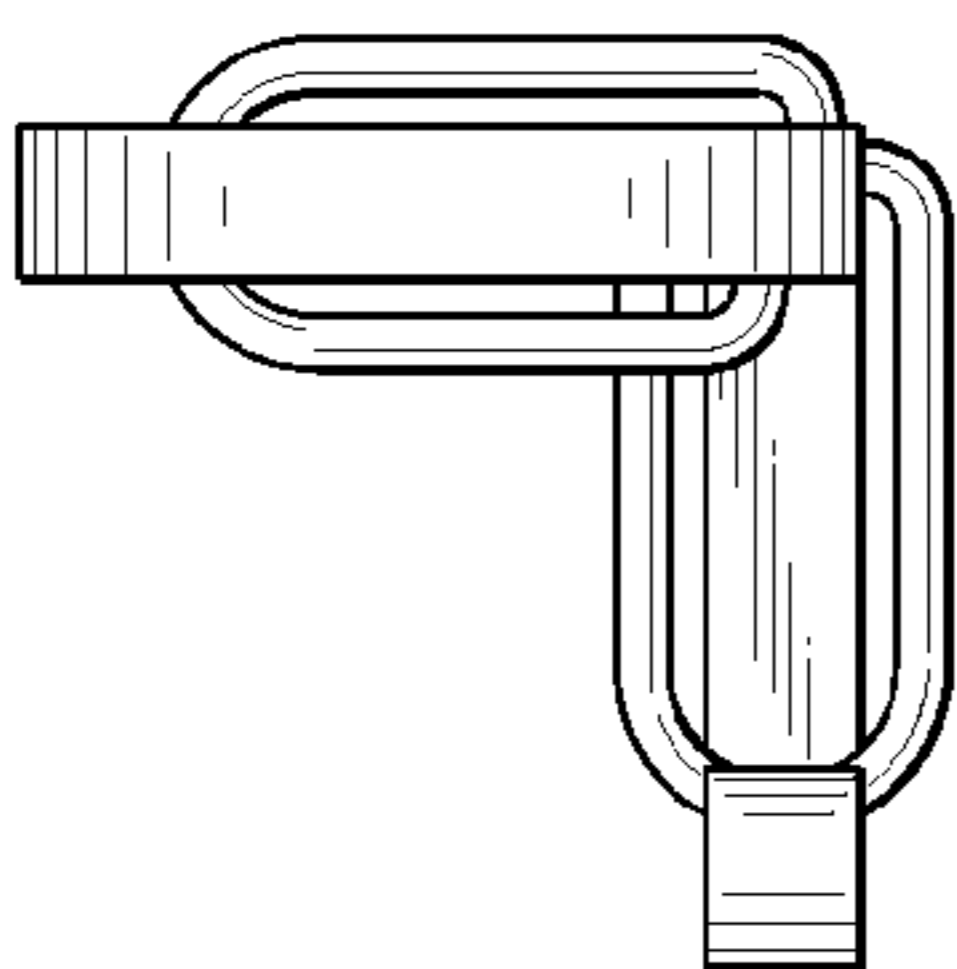


FIG. 6

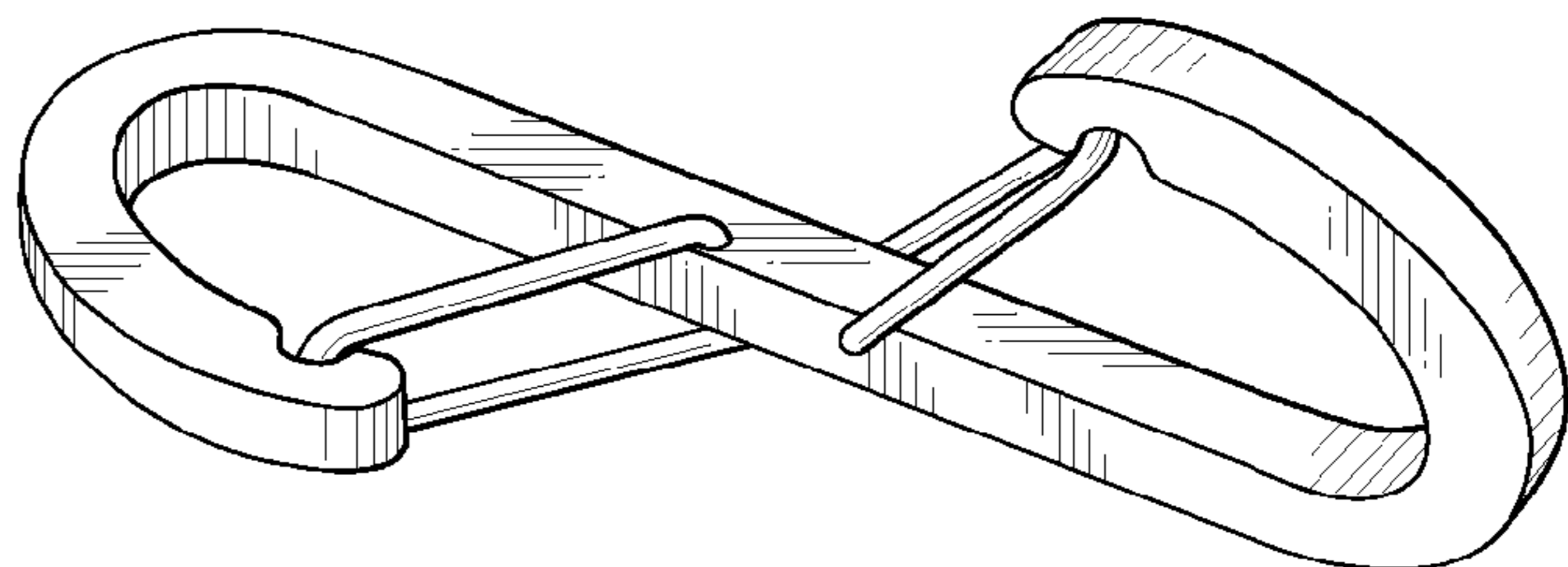


FIG. 7

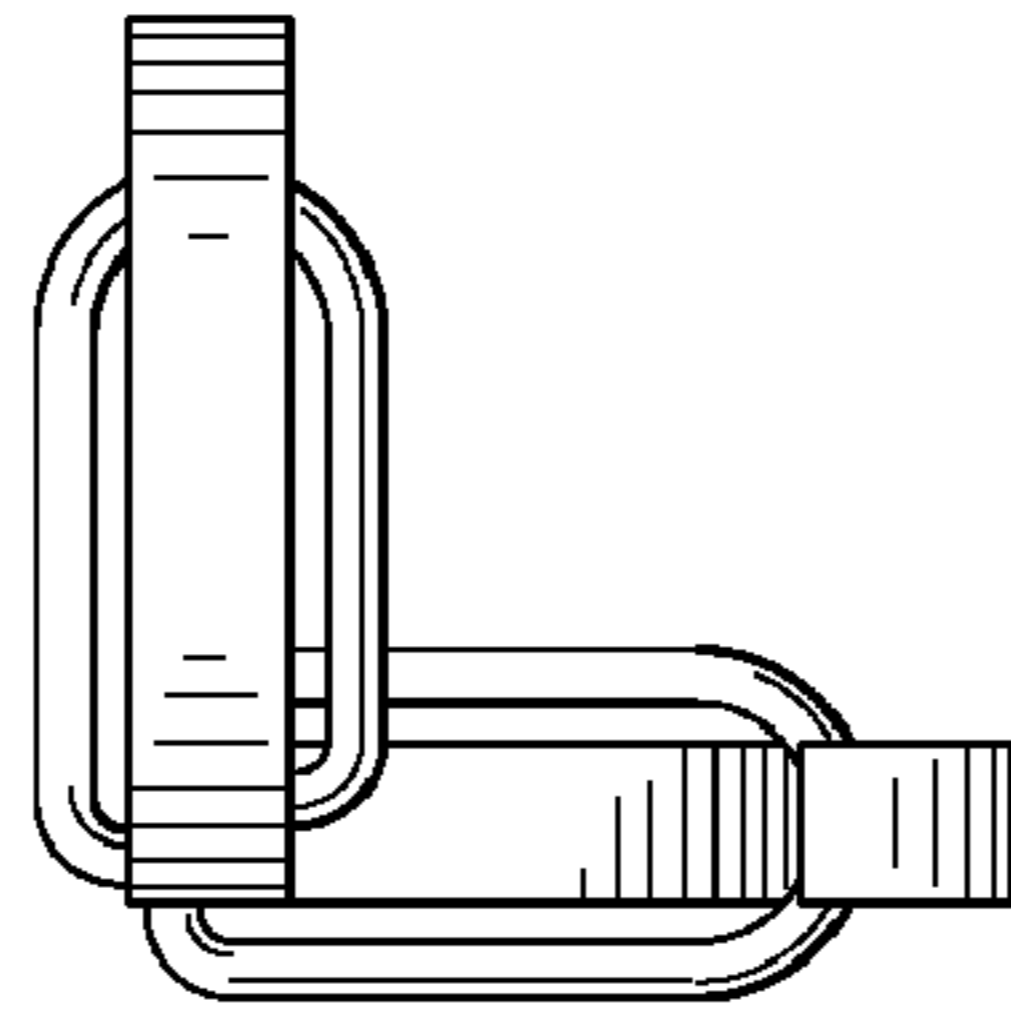


FIG. 12

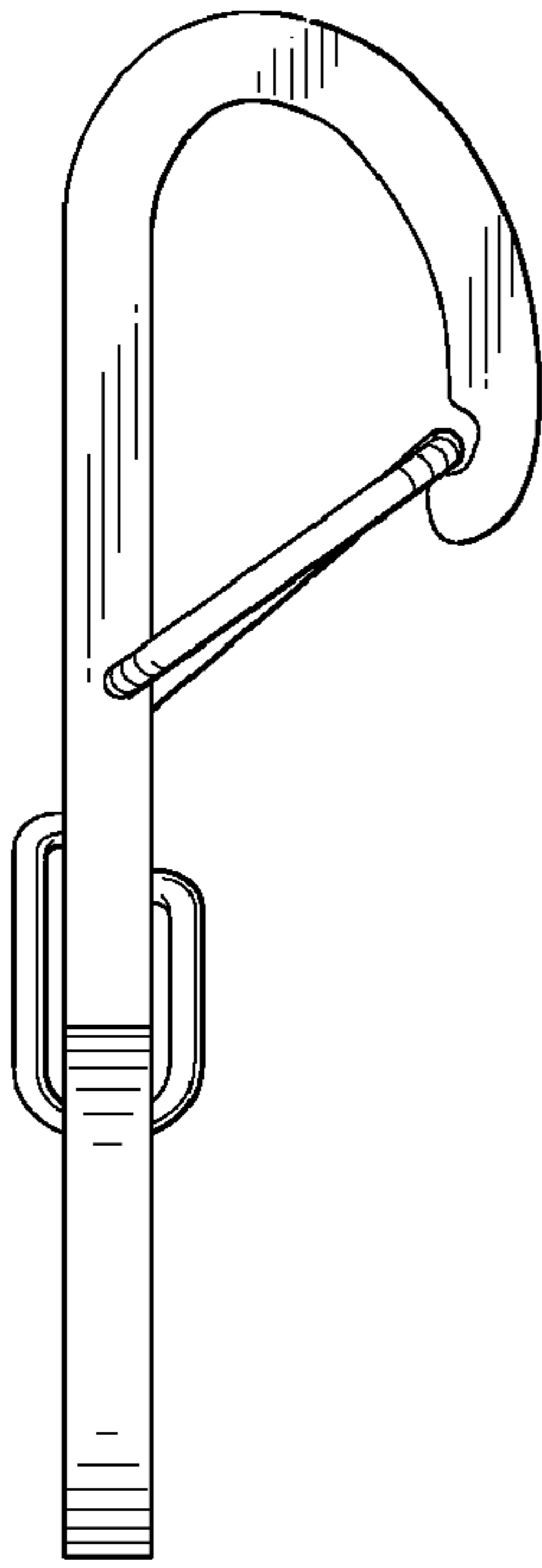


FIG. 10

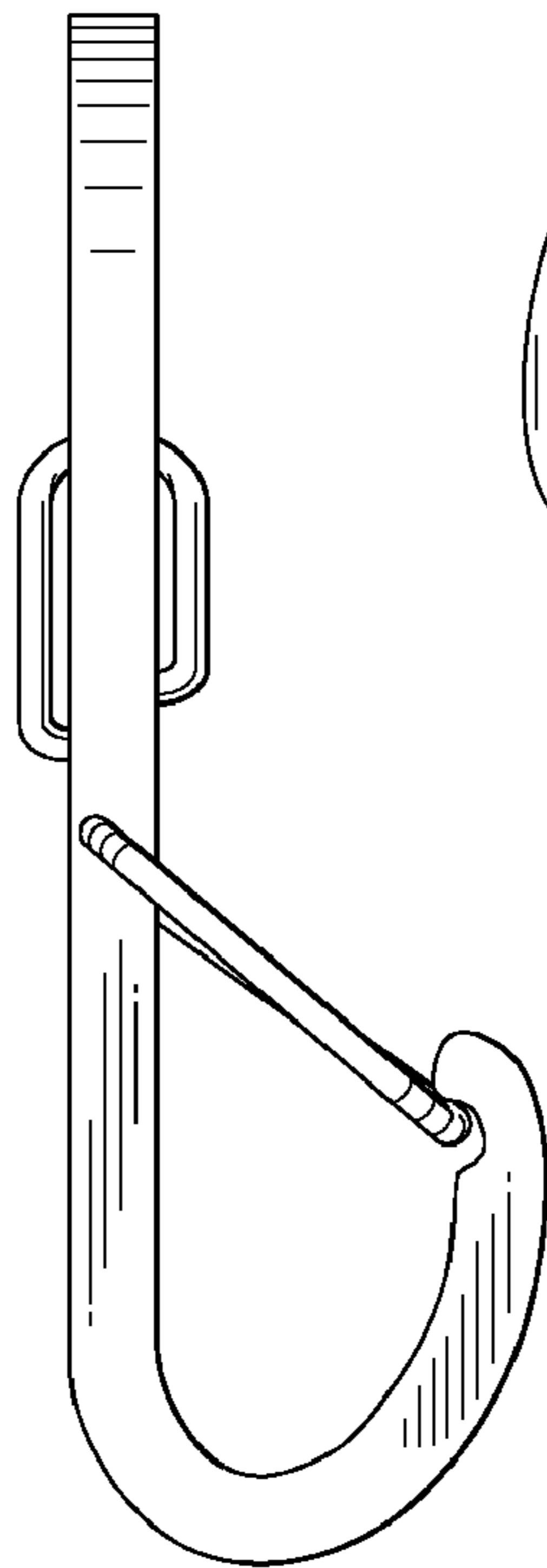


FIG. 8

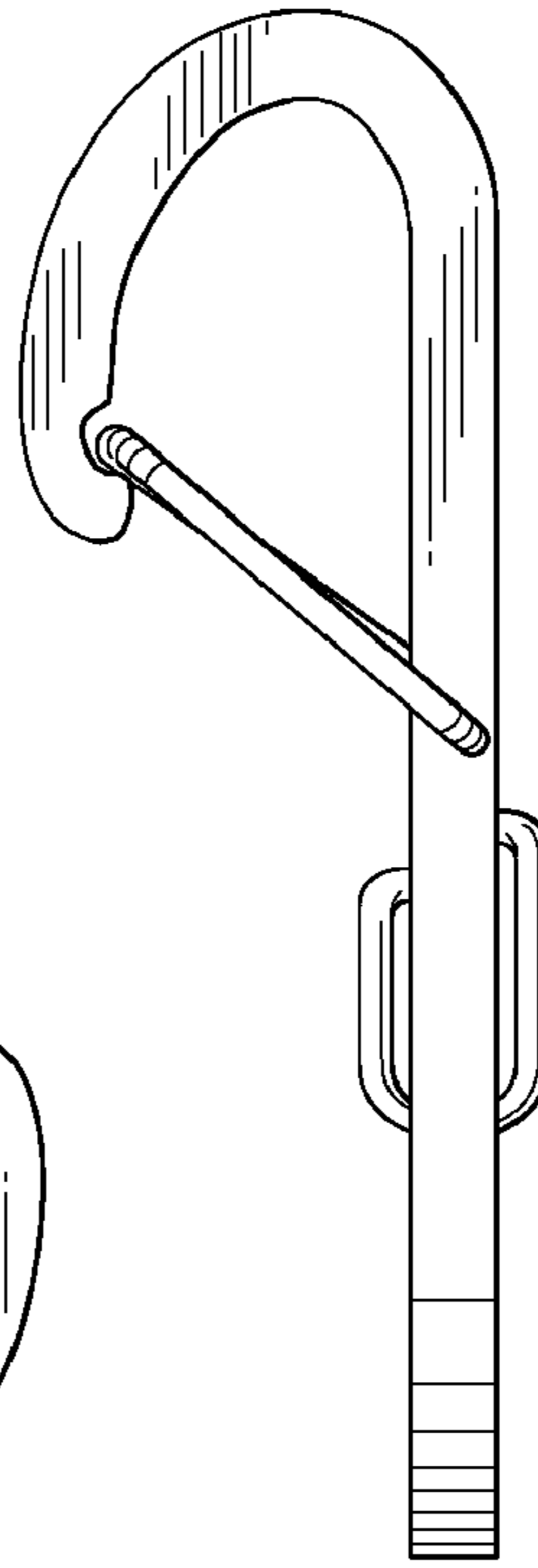


FIG. 9

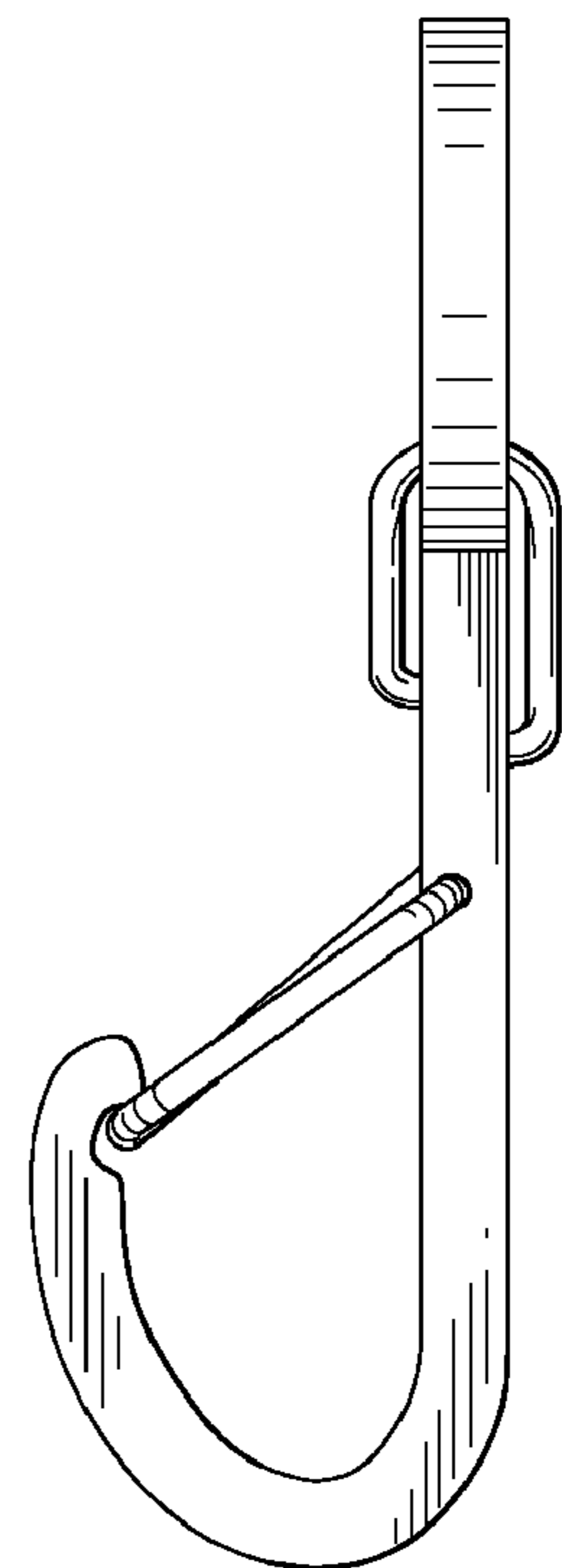


FIG. 11

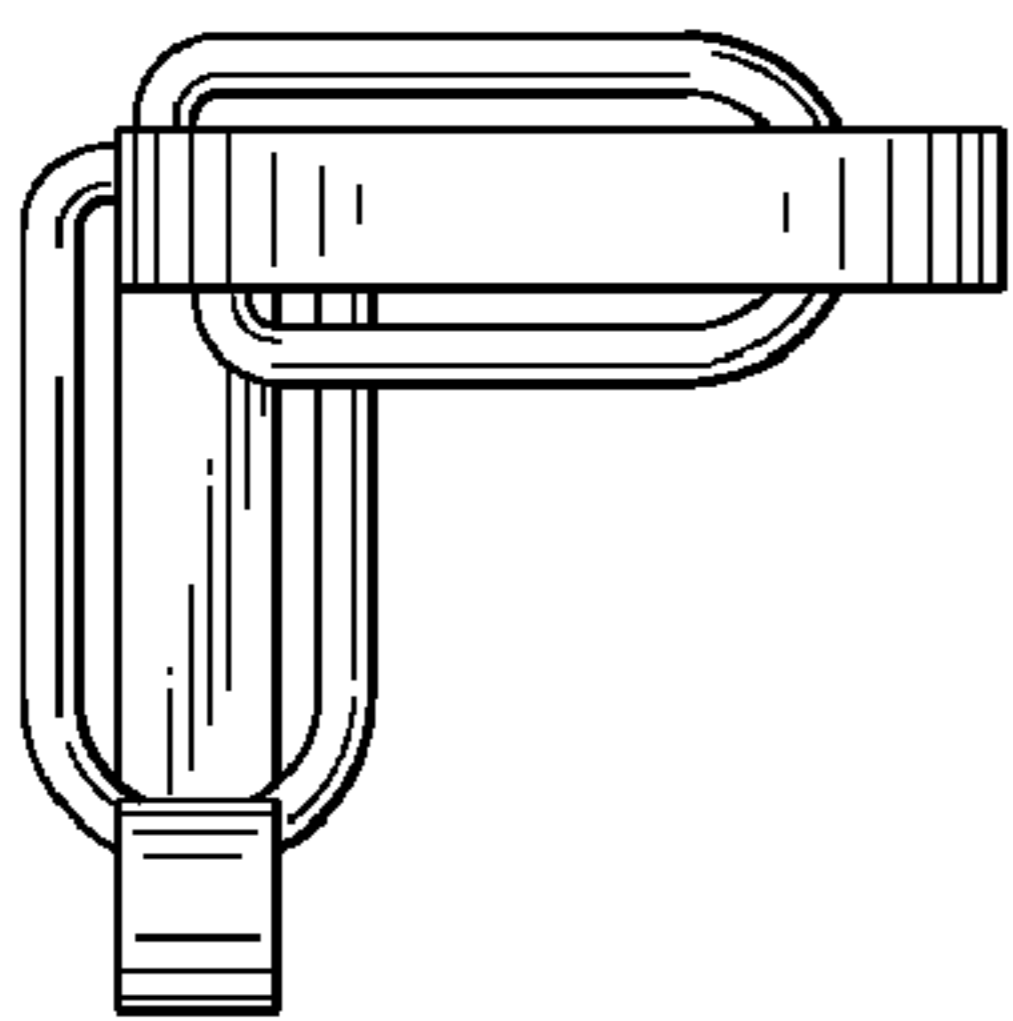


FIG. 13

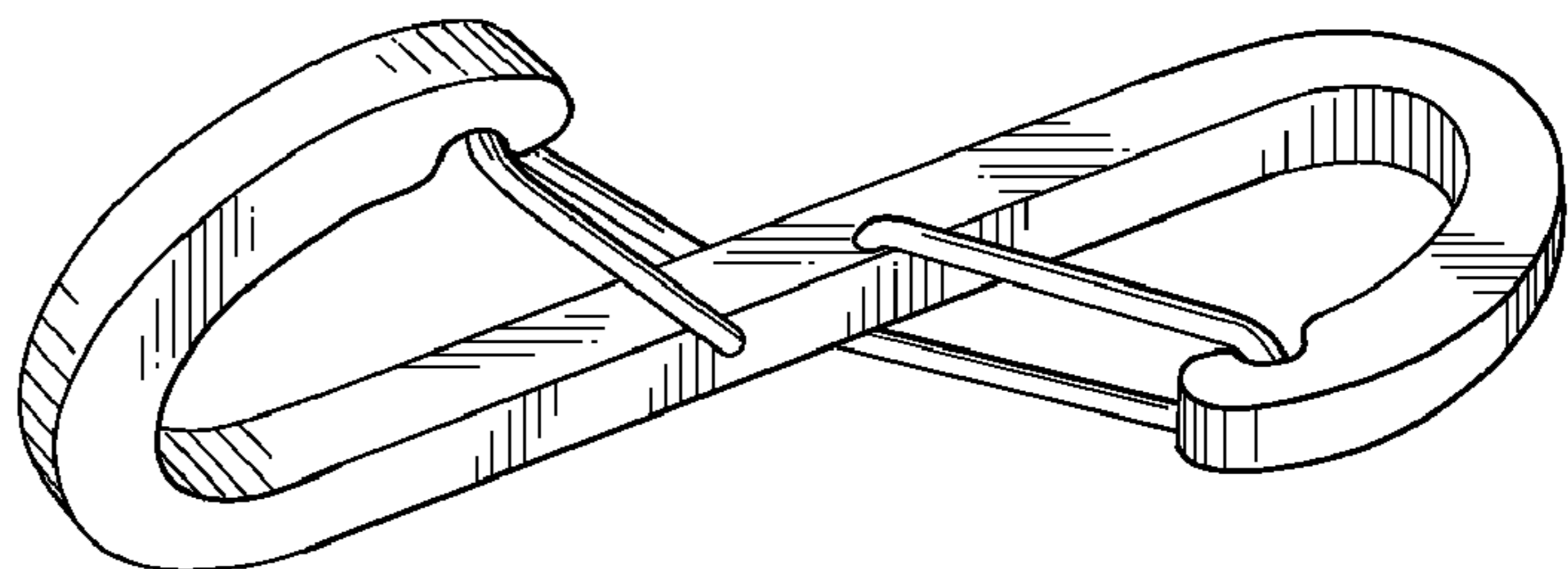


FIG. 14

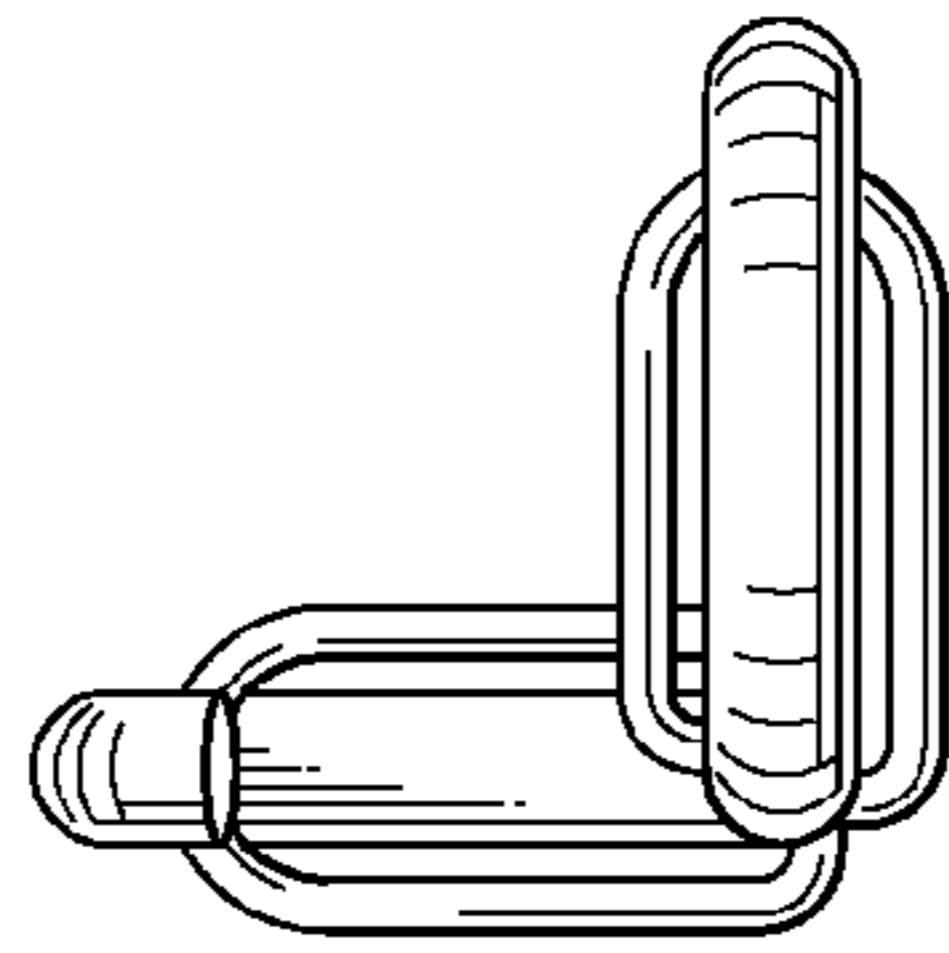


FIG.19

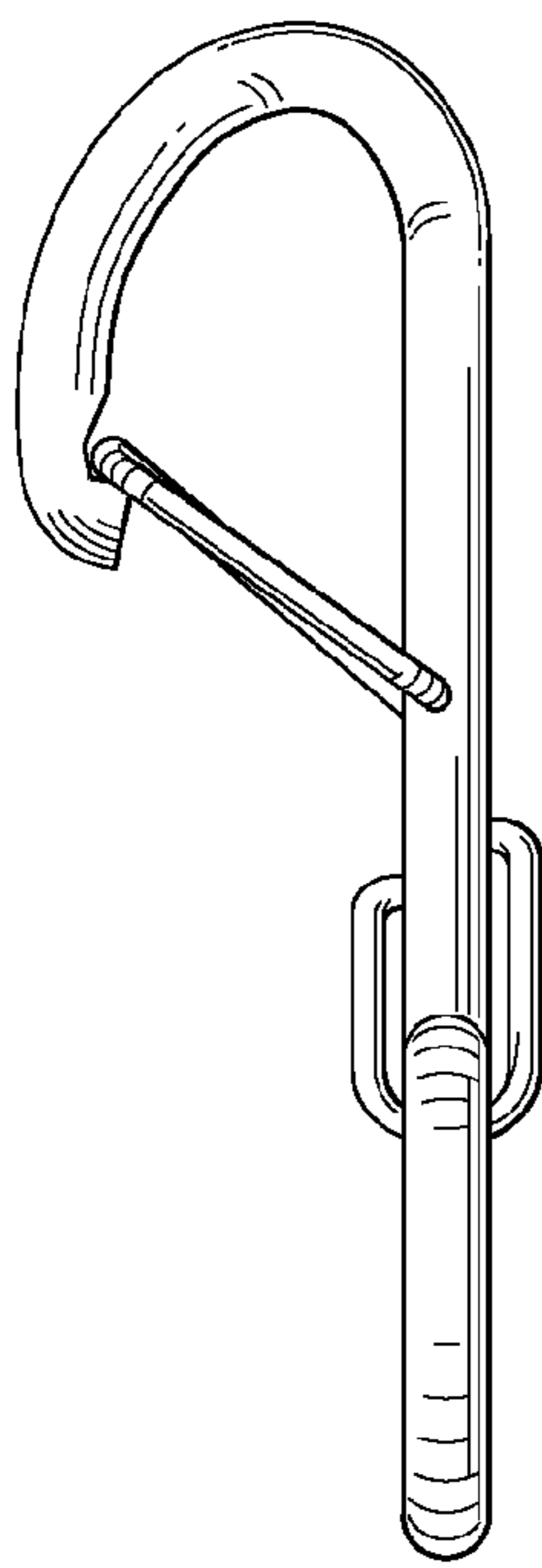


FIG.17

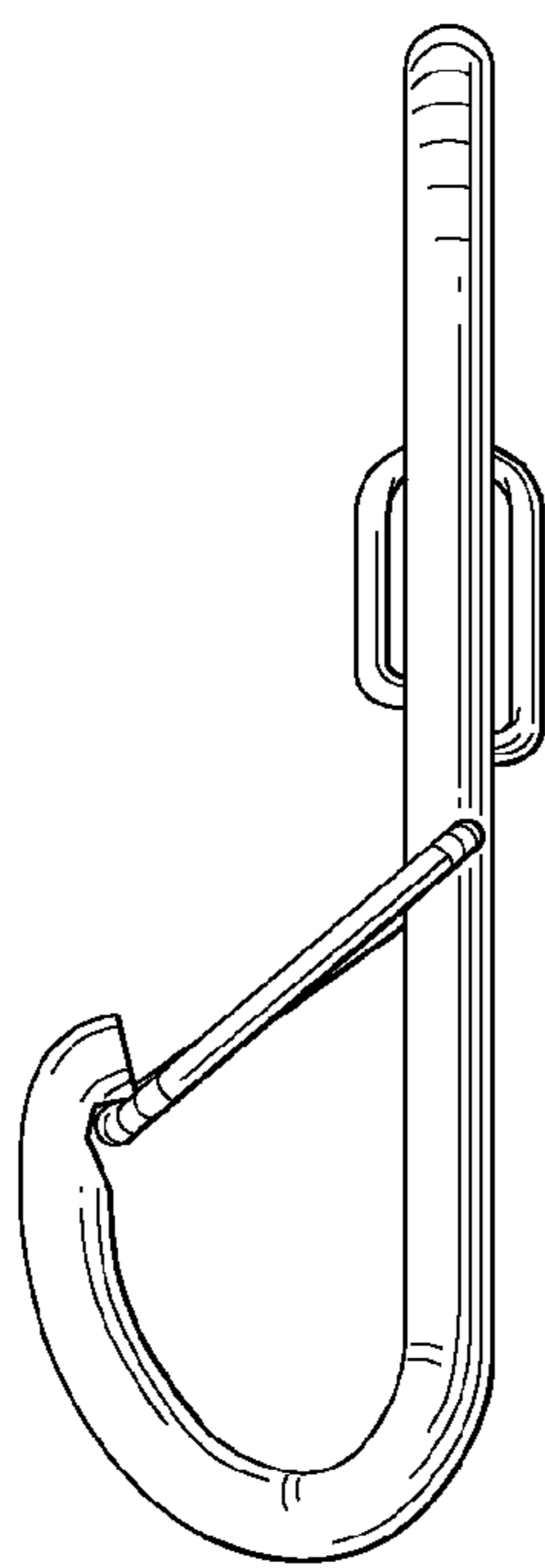


FIG.15

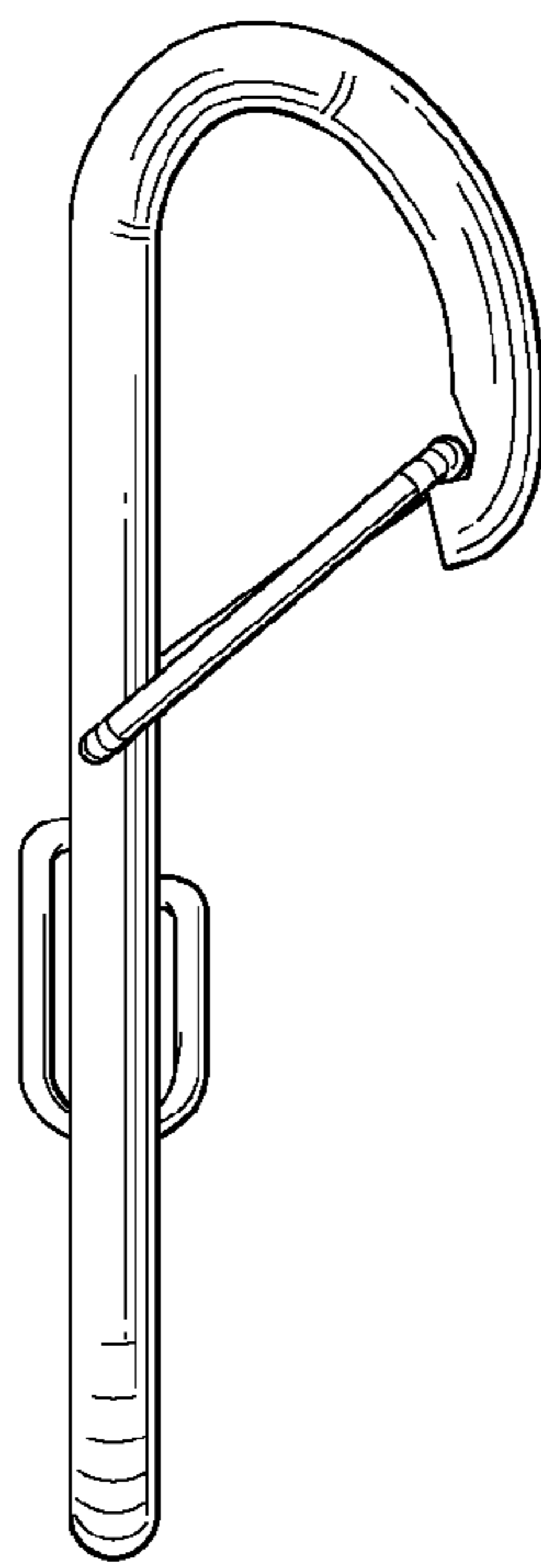


FIG.16

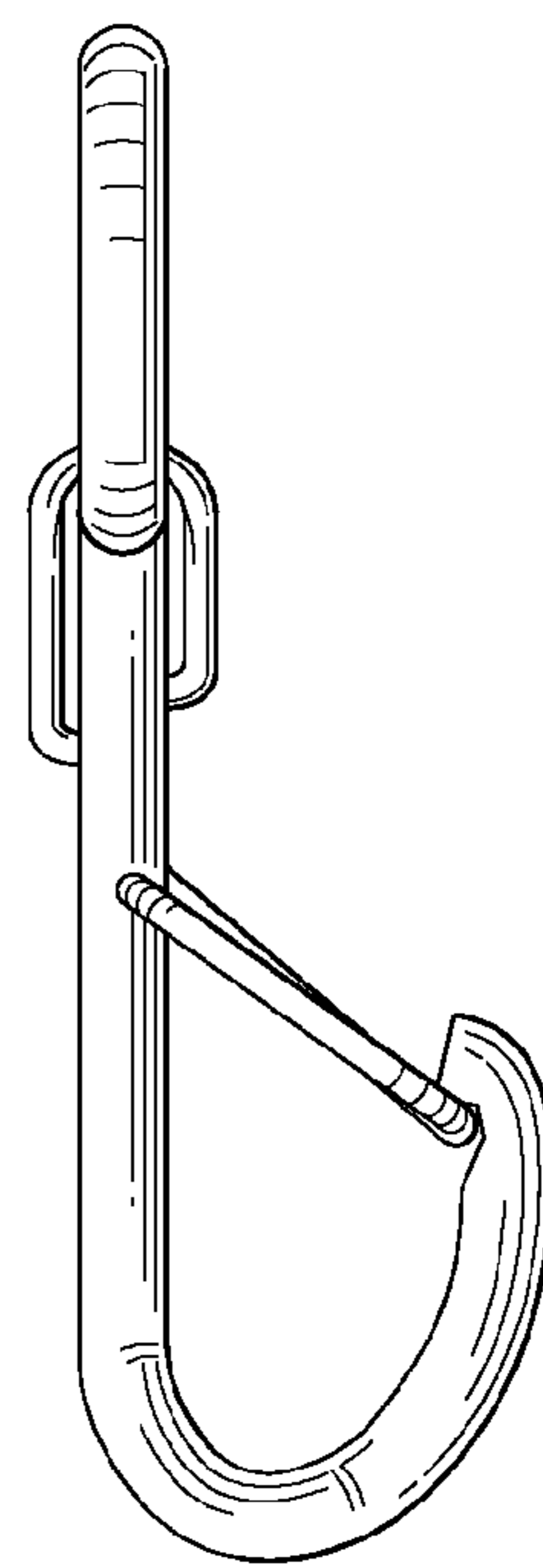


FIG.18

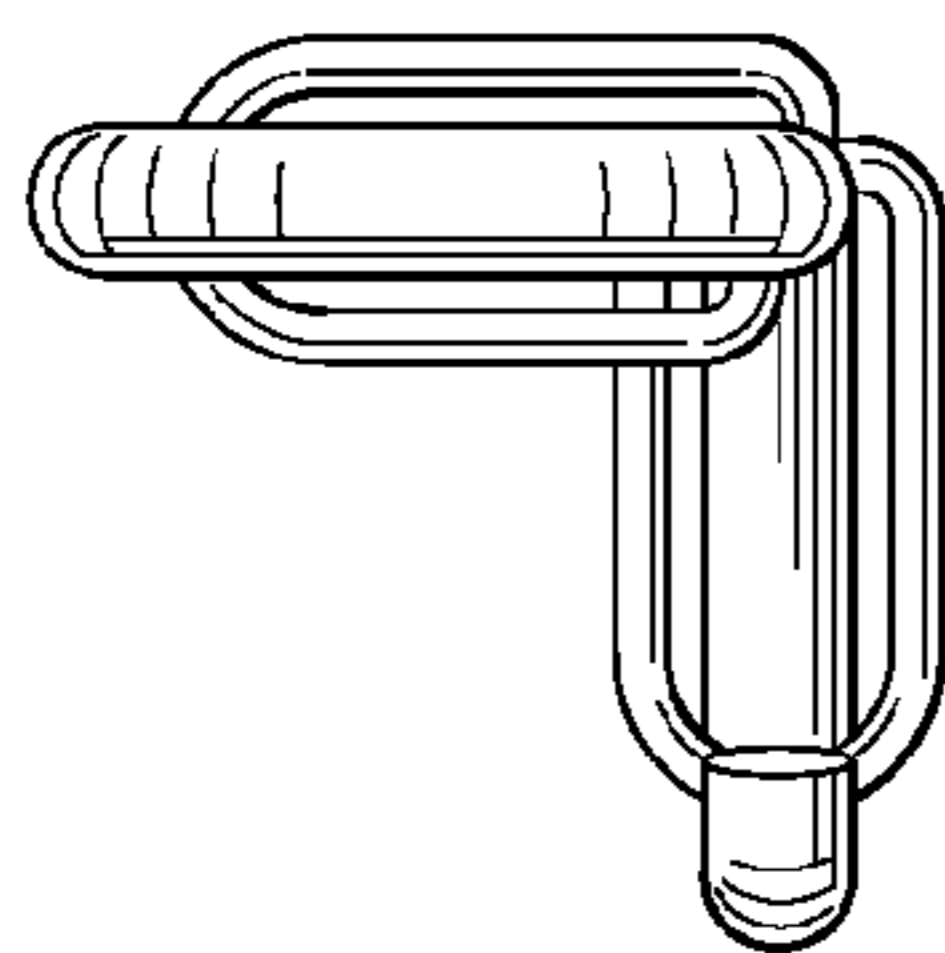


FIG.20

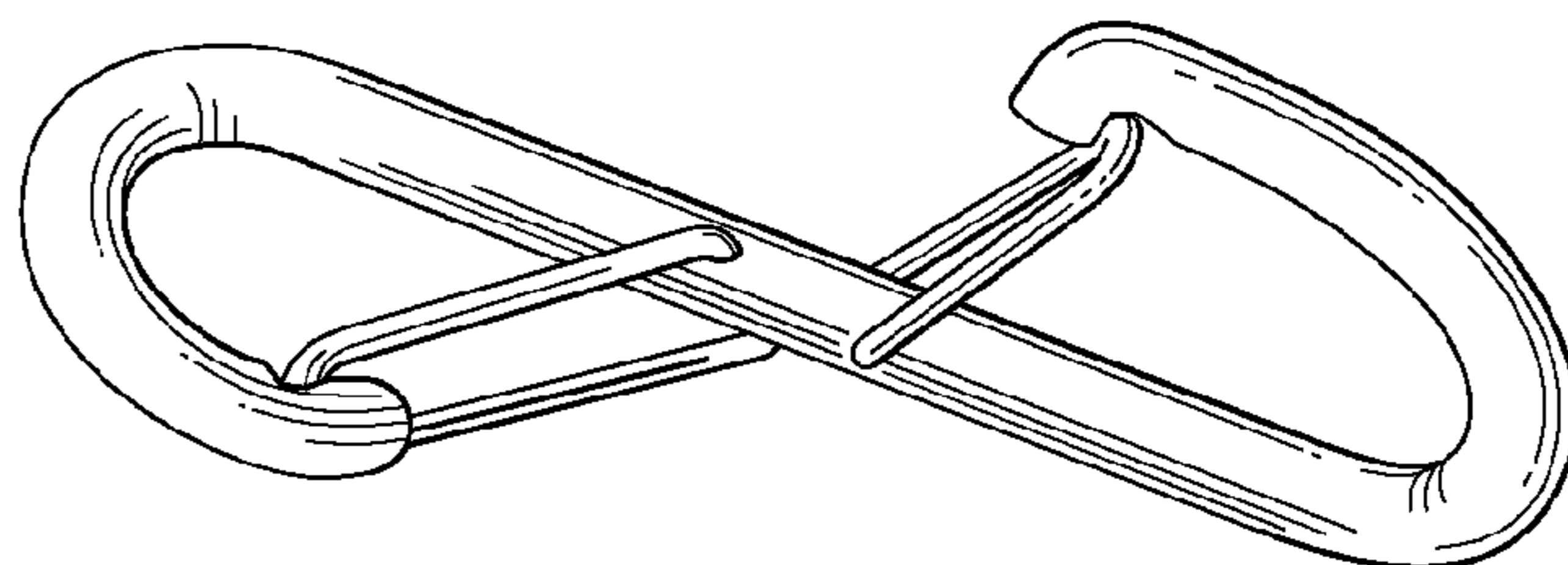


FIG.21

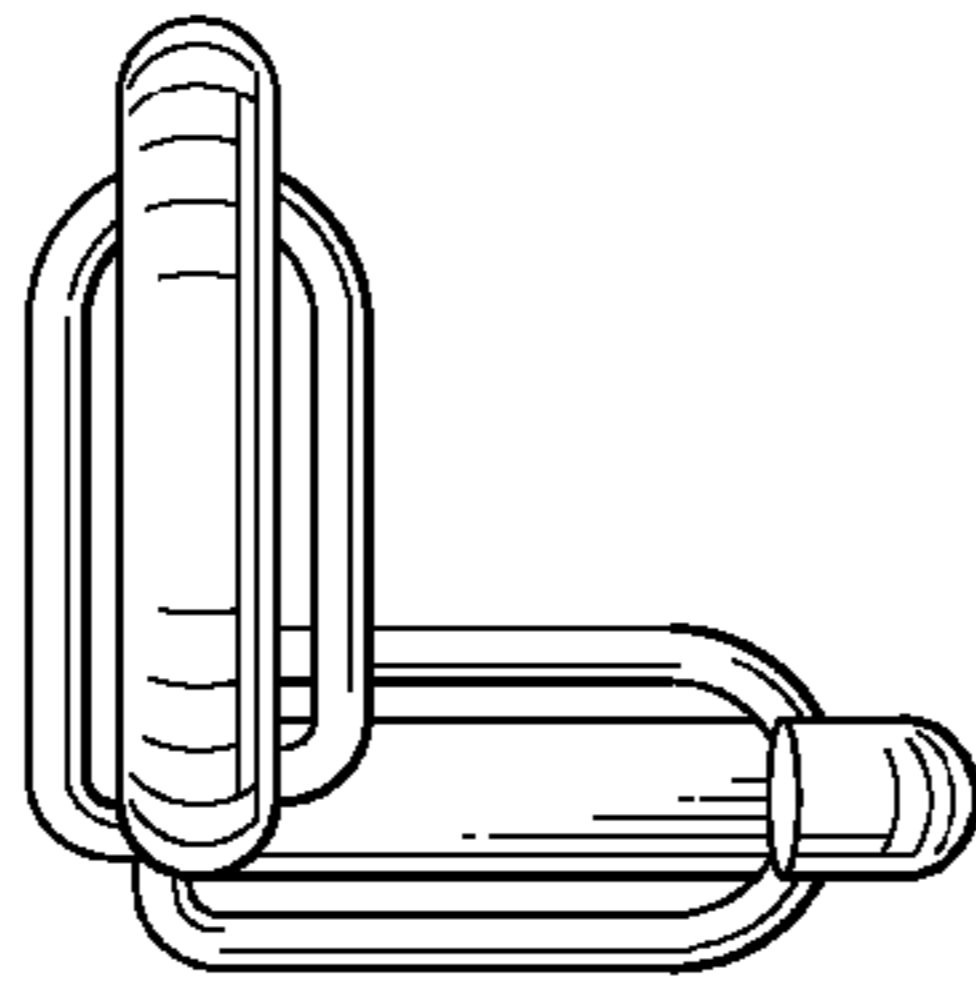


FIG. 26

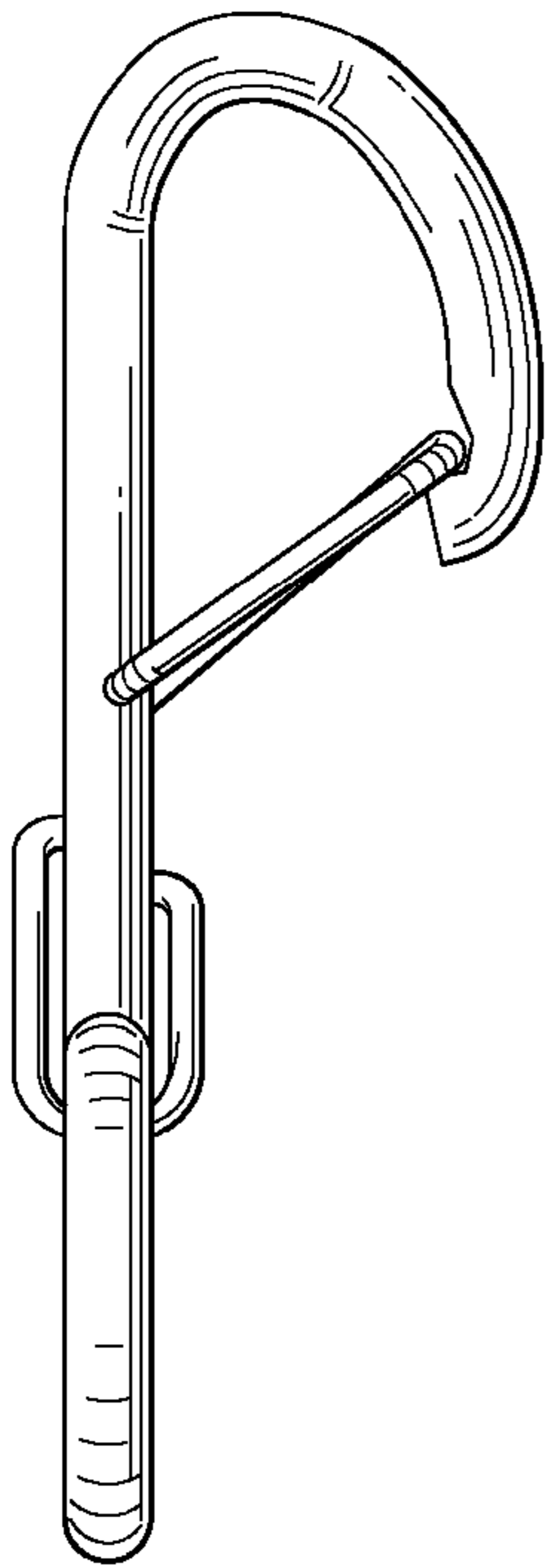


FIG. 24

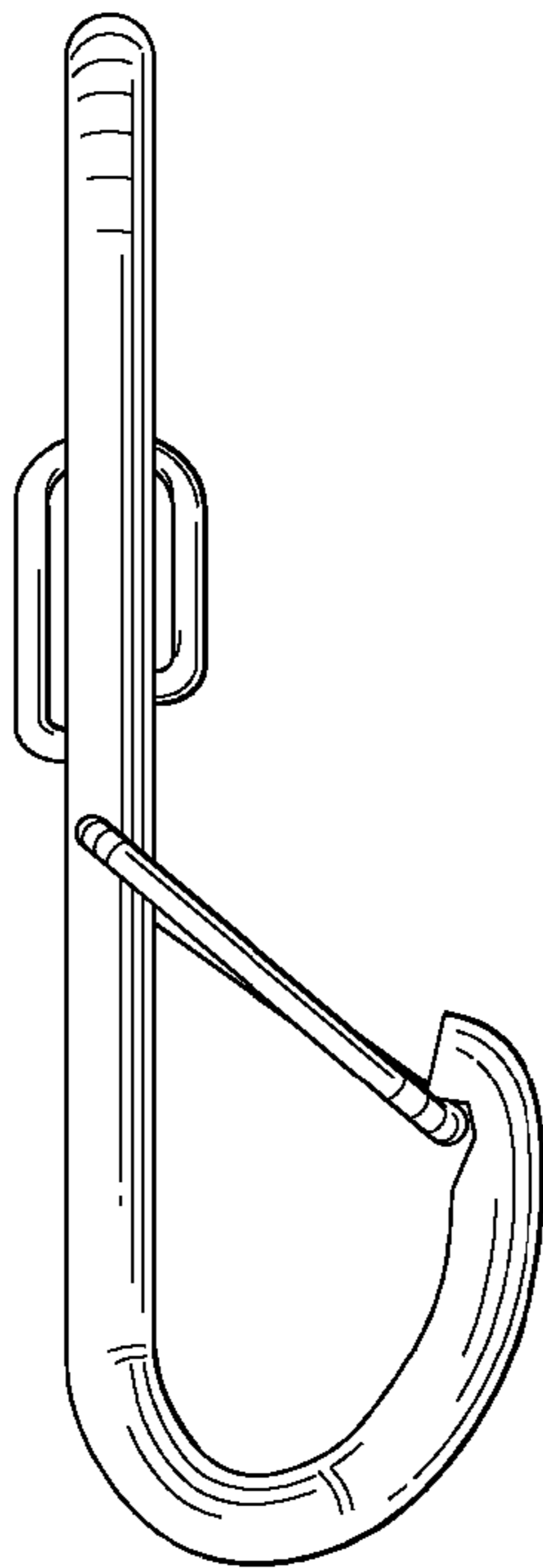


FIG. 22

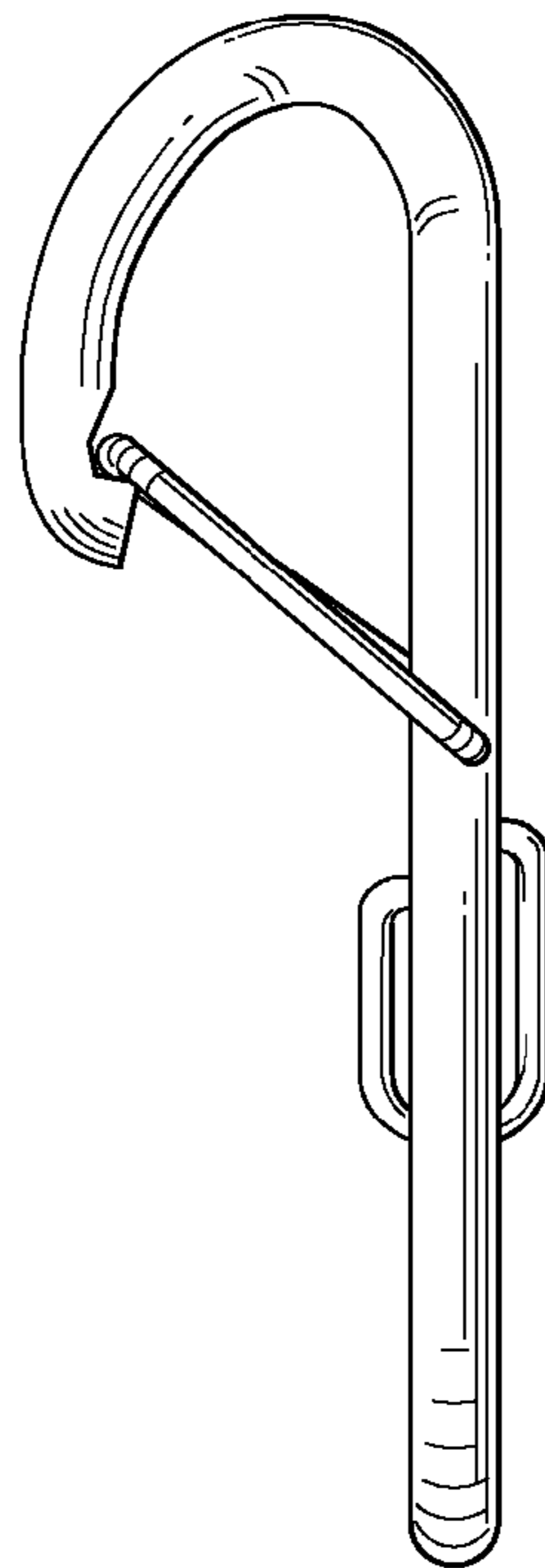


FIG. 23

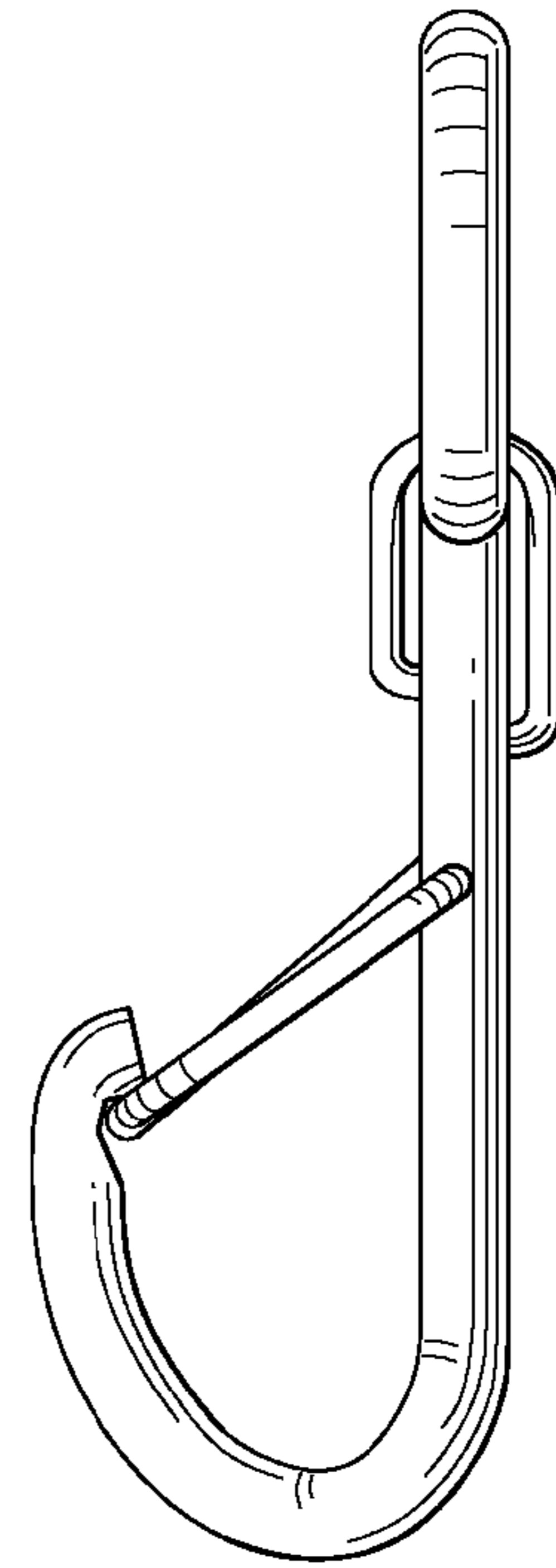


FIG. 25

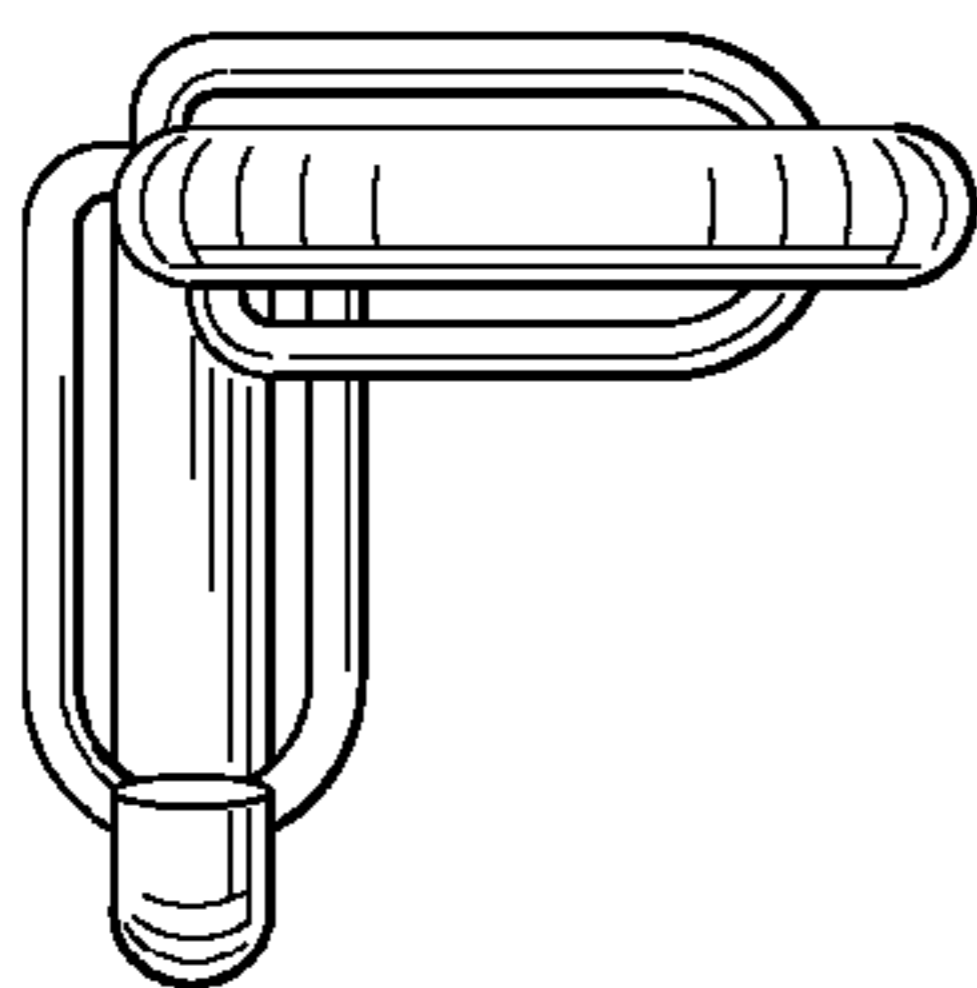


FIG. 27

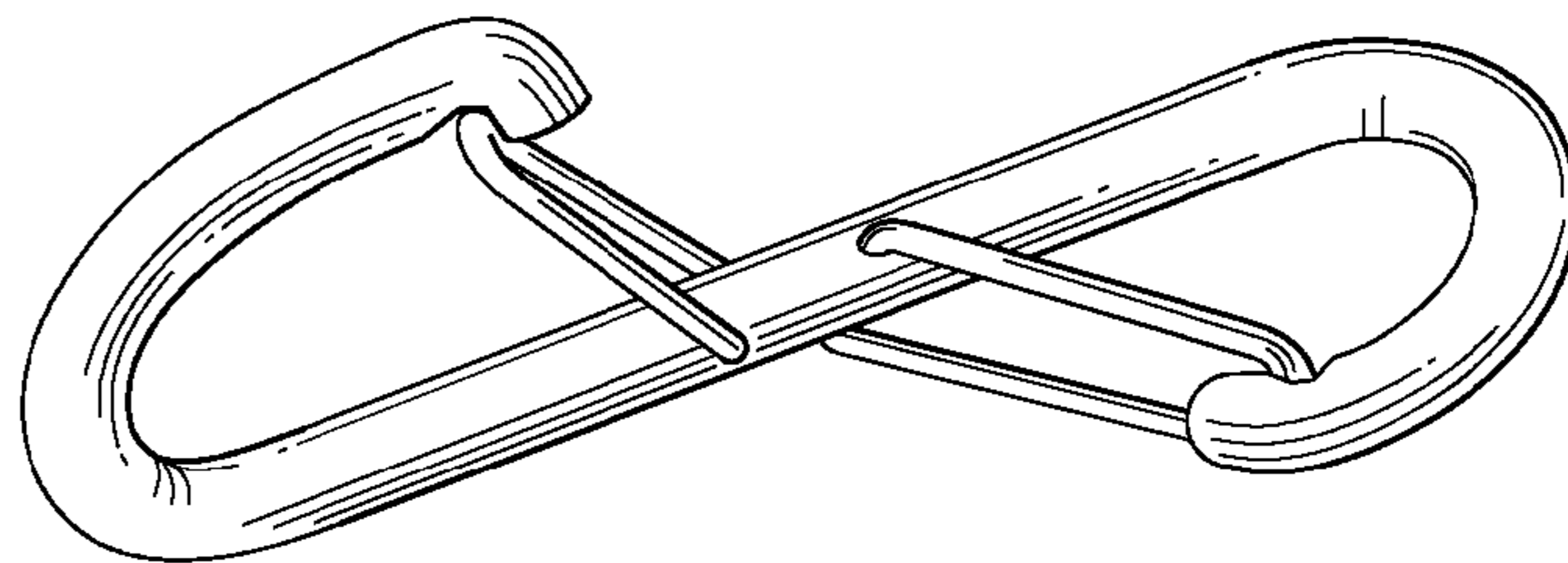


FIG. 28