



US00D612705S

(12) **United States Design Patent**
Baker et al.

(10) **Patent No.:** **US D612,705 S**
(45) **Date of Patent:** **** Mar. 30, 2010**

(54) **KNOB**
(75) Inventors: **Chuck Baker**, Anderson, SC (US);
Vittorio Cascianelli, Anderson, SC (US)
(73) Assignee: **Electrolux Home Products, Inc.**,
Cleveland, OH (US)

D510,515 S * 10/2005 Miller D8/311
D511,669 S * 11/2005 Miller D8/300
D516,407 S * 3/2006 Grutzke et al. D8/311
D521,314 S * 5/2006 Ball D7/393
D525,518 S * 7/2006 Baldwin D8/310
7,171,727 B2 * 2/2007 Wylie et al. 16/441
D567,060 S * 4/2008 Busalt et al. D8/310
D573,000 S * 7/2008 Martin et al. D8/311
D577,983 S * 10/2008 Martin et al. D8/311
2004/0107545 A1 * 6/2004 Worrell 16/441

(**) Term: **14 Years**
(21) Appl. No.: **29/340,151**
(22) Filed: **Jul. 14, 2009**

* cited by examiner

Primary Examiner—Ian Simmons
Assistant Examiner—Mark A Goodwin
(74) *Attorney, Agent, or Firm*—Banner & Witcoff, Ltd.

(51) **LOC (9) Cl.** **08-06**
(52) **U.S. Cl.** **D8/311**
(58) **Field of Classification Search** D8/300–303,
D8/305–312, 321, DIG. 2; D7/402, 405,
D7/393; 74/553, 548, 558.5; 116/309, 315,
116/311, 312, 319, 320; 200/316, 336; 345/156;
16/441, 110 R, 114 R, 121, 118, 414
See application file for complete search history.

(57) **CLAIM**

The ornamental design for a knob, as shown and described.

DESCRIPTION

FIG. 1 is a front perspective view of a knob showing our new design;

FIG. 2 is a front view thereof;

FIG. 3 is a right side view thereof;

FIG. 4 is a left side view thereof;

FIG. 5 is a top view thereof;

FIG. 6 is a bottom view thereof; and,

FIG. 7 is a front perspective view of the claimed portion in FIG. 1 shown in an illustrative environment.

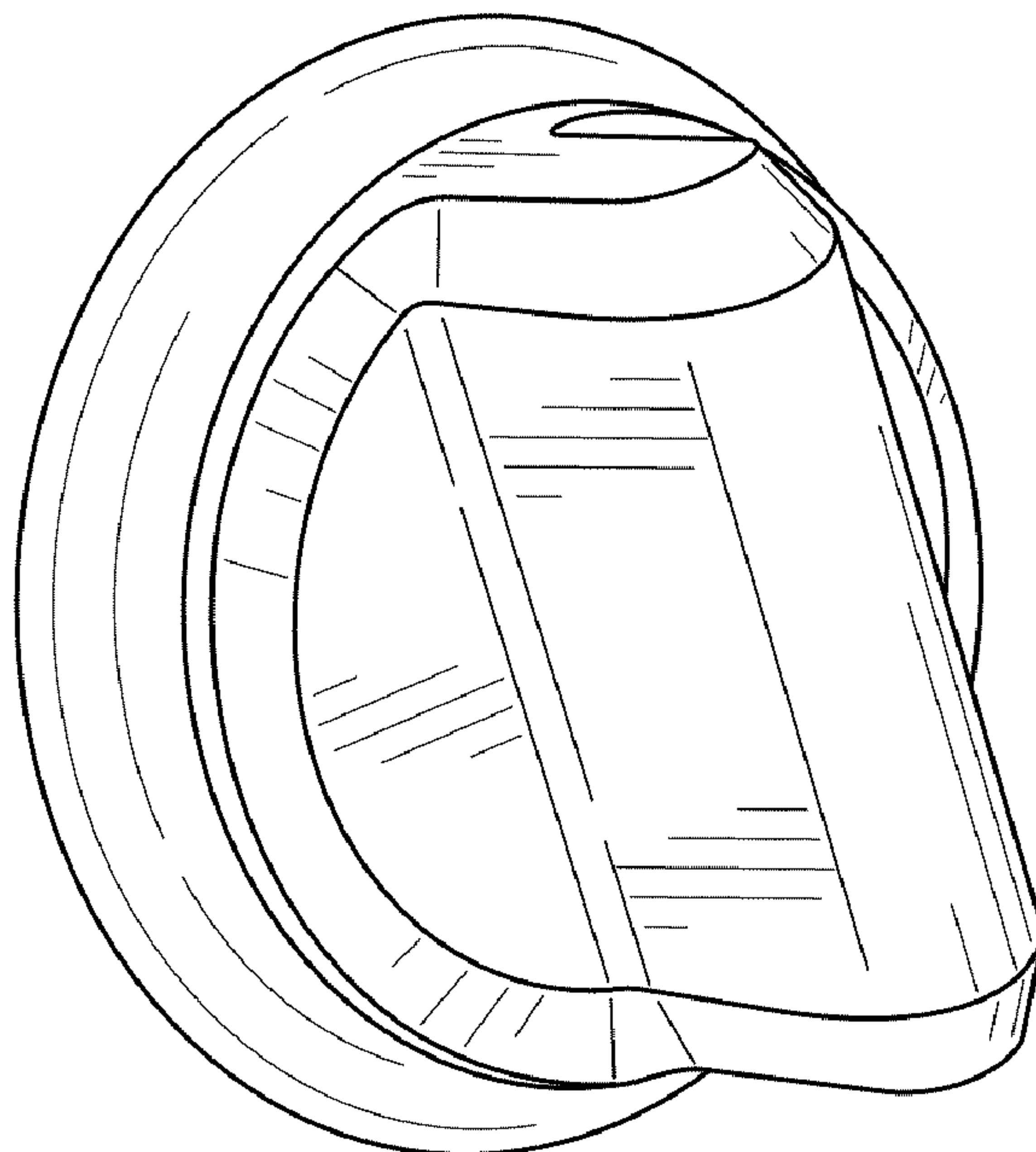
The unshown bottom forms no part of the claimed design. The broken line showing of various regions, including the unshaded areas therein, is for illustrative purposes and forms no part of the claimed design.

(56) **References Cited**

U.S. PATENT DOCUMENTS

1,884,133 A * 10/1932 Nero 200/336
D146,327 S * 2/1947 Trombley D8/311
2,537,782 A * 1/1951 Meyers 116/309
D198,028 S * 4/1964 Collins, Jr. D8/311
D203,991 S * 3/1966 Rosen D8/311
D208,918 S * 10/1967 Dole, Jr. D8/311
D221,060 S * 7/1971 Townsend D8/341
D225,204 S * 11/1972 Kendrick D8/311
D400,778 S * 11/1998 Holbrook, Jr. D8/311
D443,496 S * 6/2001 DeCosse D8/300
D450,997 S * 11/2001 Brady D8/311
D493,090 S * 7/2004 Chen et al. D8/310
D498,657 S * 11/2004 Milrud et al. D8/311
D504,300 S * 4/2005 Chen et al. D8/310

1 Claim, 4 Drawing Sheets



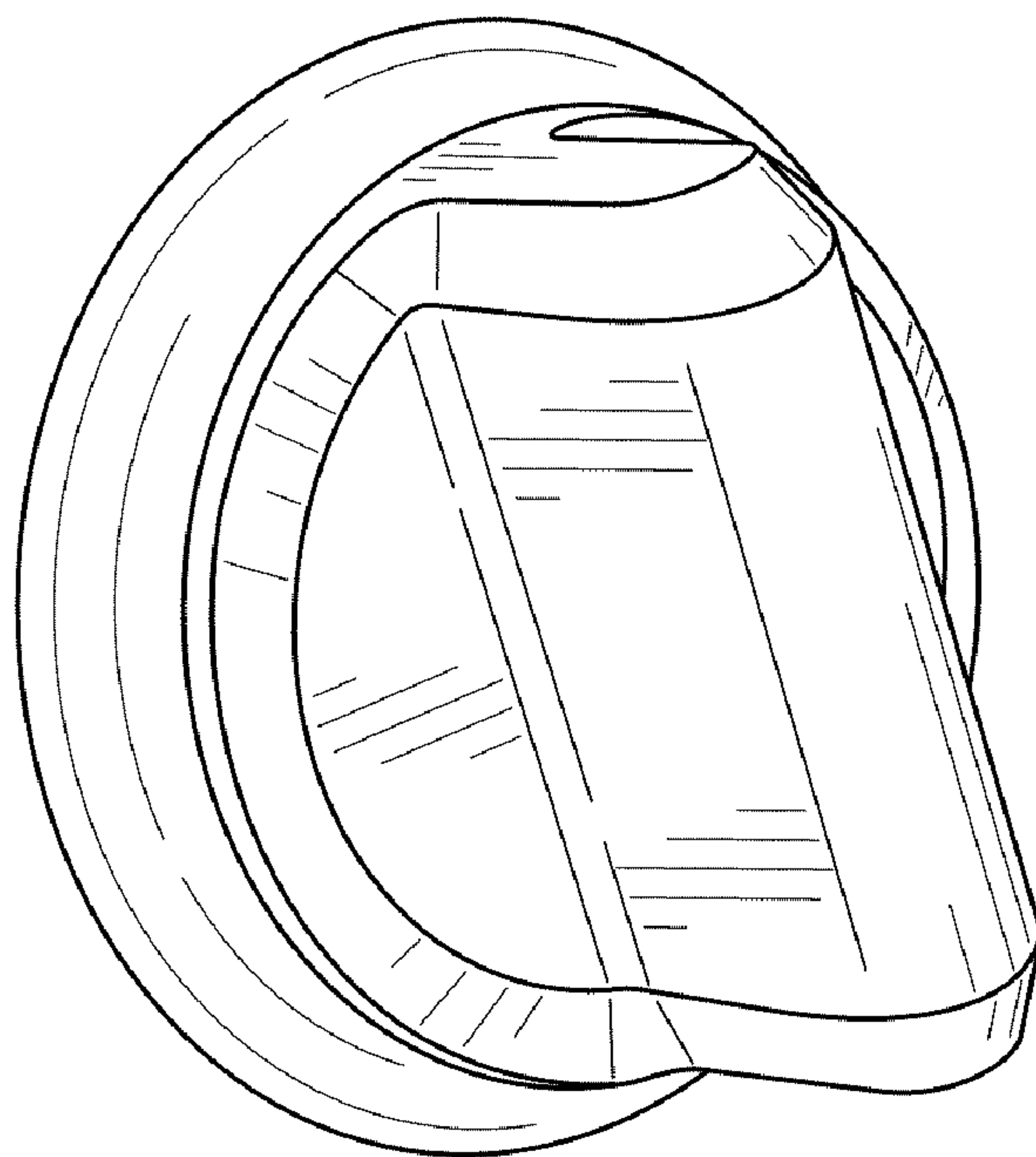


FIG. 1

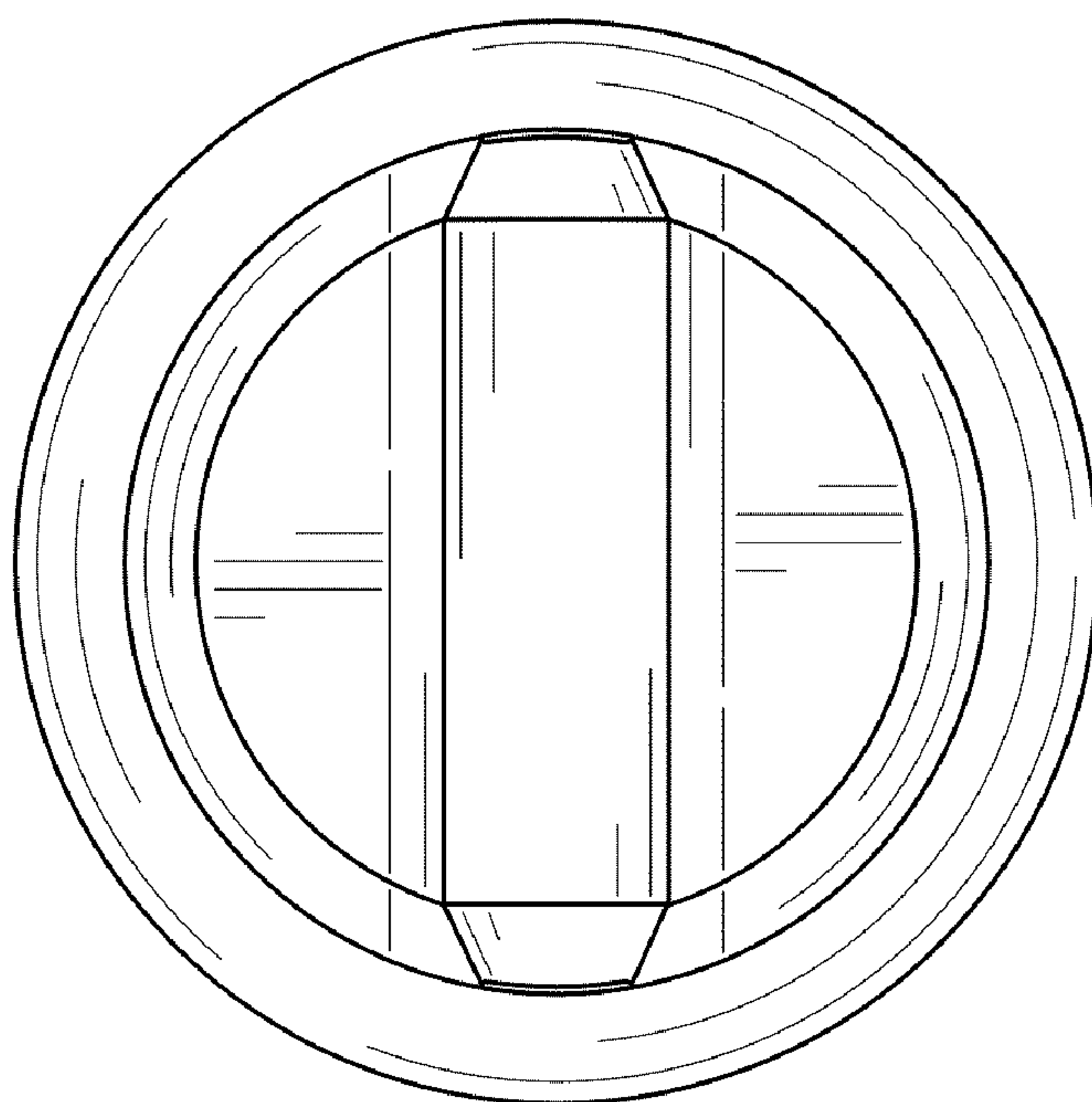


FIG. 2

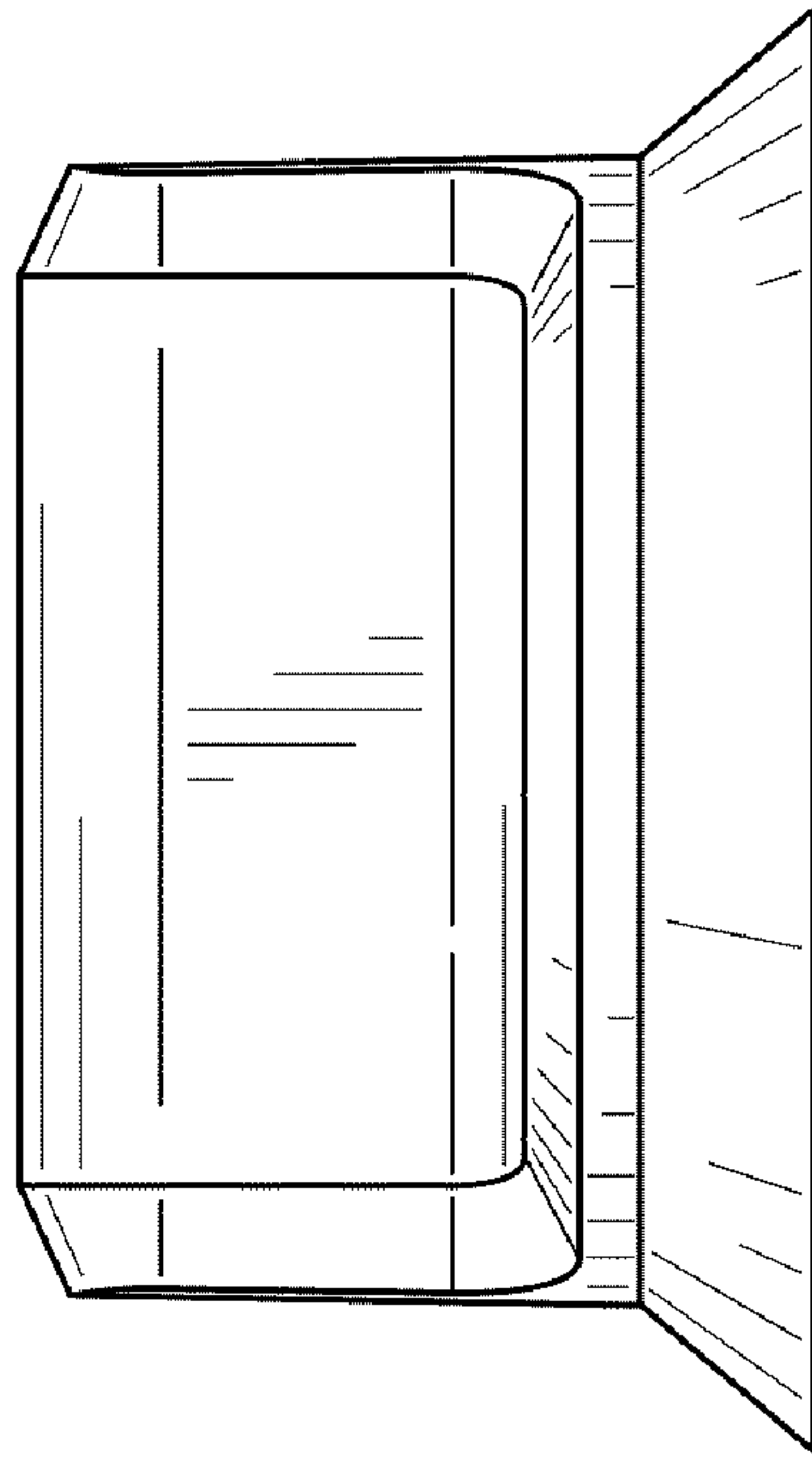


FIG. 3

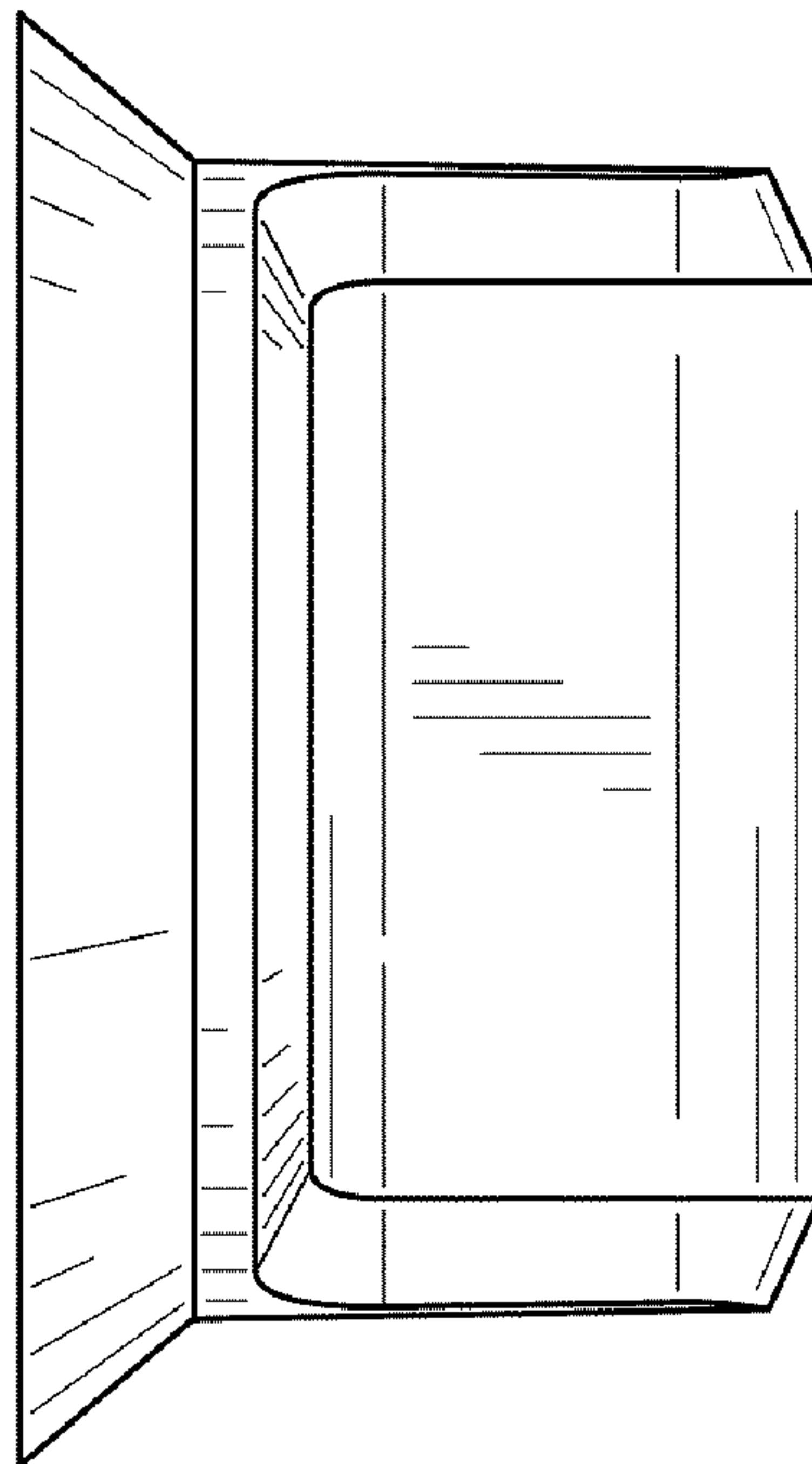


FIG. 4

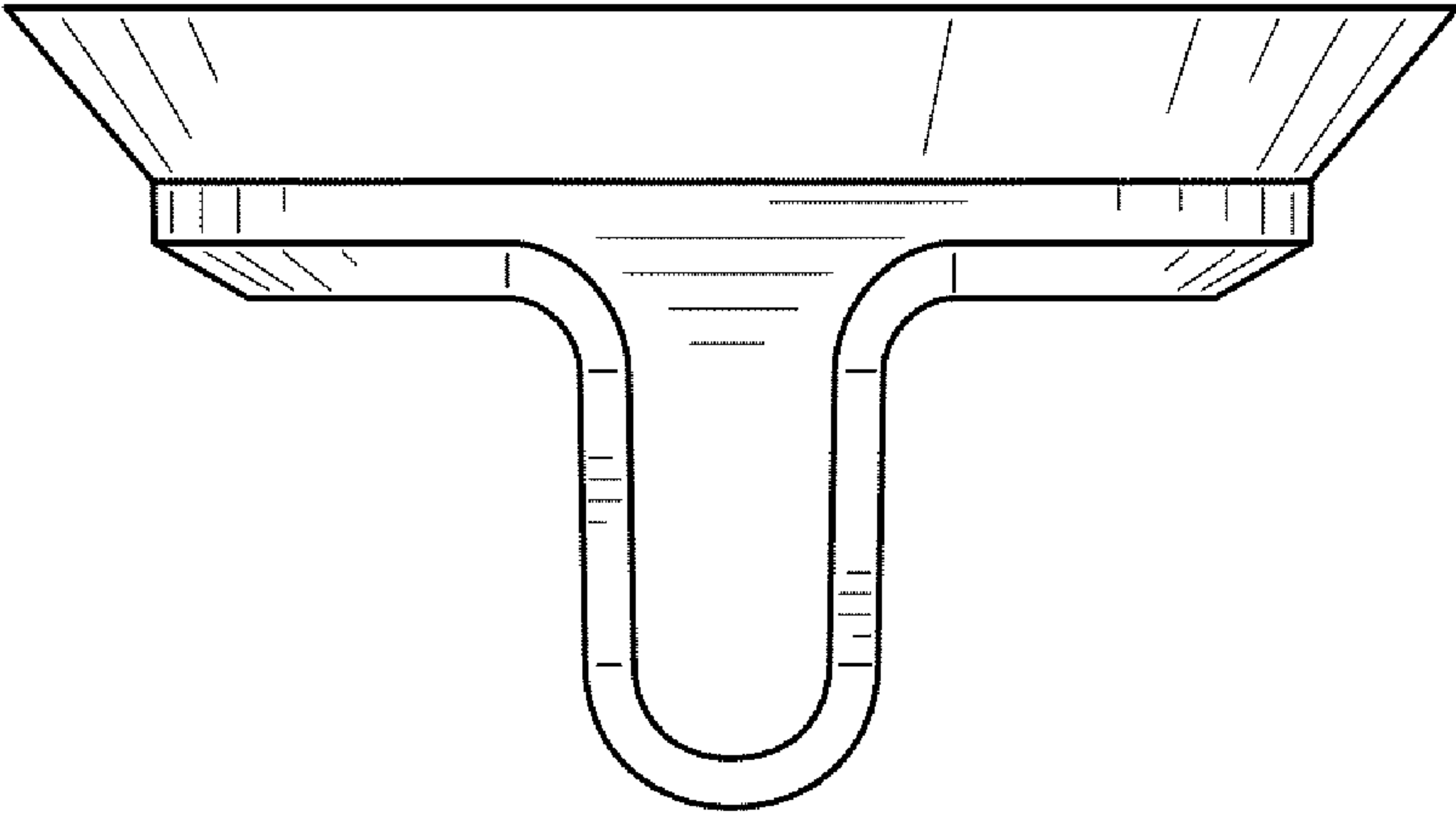


FIG. 5

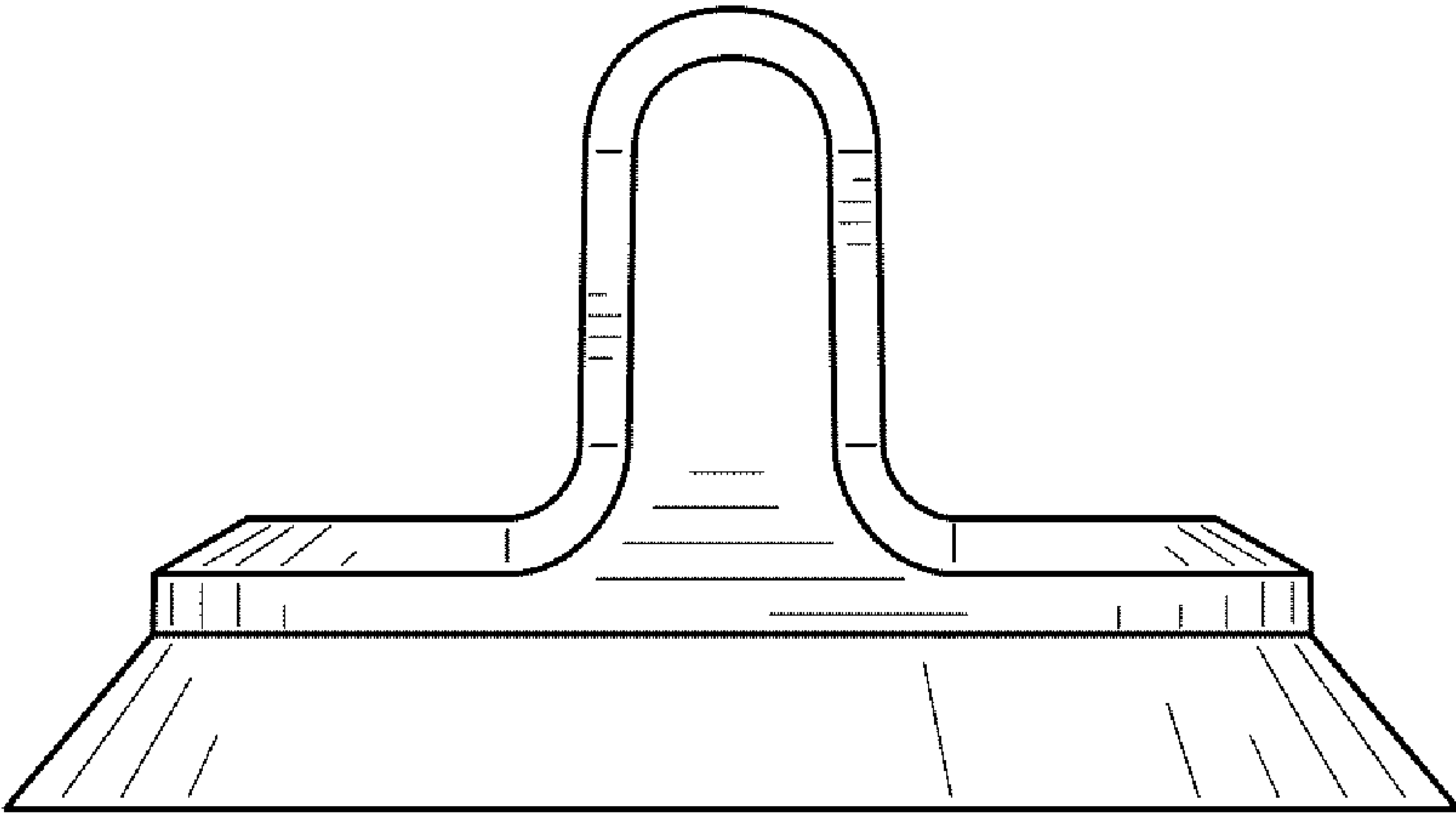


FIG. 6

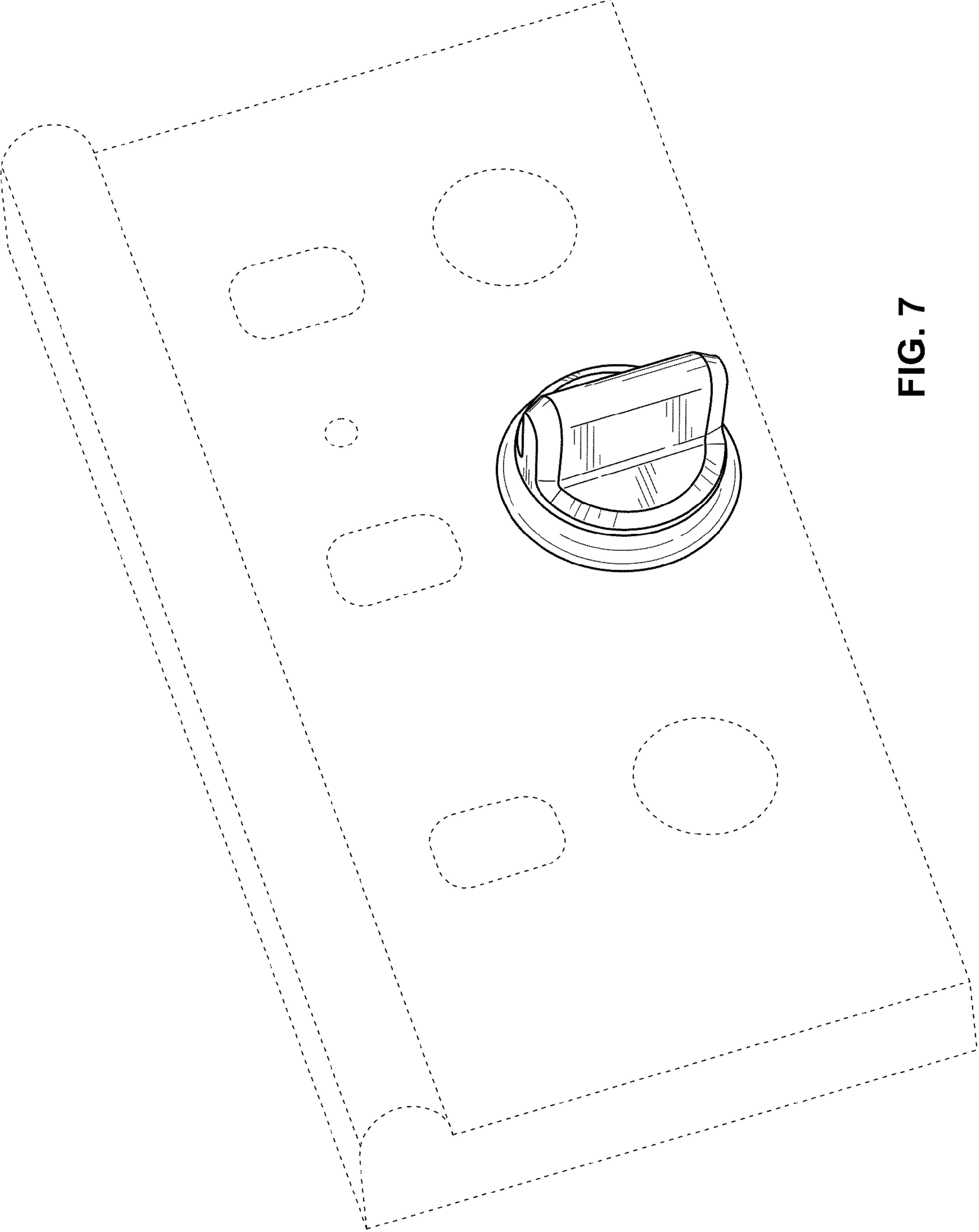


FIG. 7