



US00D612704S

(12) **United States Design Patent**  
**Funnell et al.**

(10) **Patent No.:** **US D612,704 S**  
(45) **Date of Patent:** **\*\* Mar. 30, 2010**

(54) **GAS RANGE KNOB**

(75) Inventors: **Richard Funnell**, New Bern, NC (US);  
**Graham Sadtler**, New Bern, NC (US)

(73) Assignee: **BSH Home Appliances Corporation**,  
Huntington Beach, CA (US)

(\*\*) Term: **14 Years**

(21) Appl. No.: **29/332,279**

(22) Filed: **Feb. 12, 2009**

(51) **LOC (9) Cl.** ..... **08-06**

(52) **U.S. Cl.** ..... **D8/310**

(58) **Field of Classification Search** ..... D8/300,  
D8/310, 311, 343; D7/402, 405, 393, 340;  
D9/439; 16/309, 320; 74/501.6, 553; D20/4,  
D20/8

See application file for complete search history.

(56) **References Cited**

U.S. PATENT DOCUMENTS

D203,991	S	*	3/1966	Rosen	.....	D8/311
3,303,717	A	*	2/1967	Valenti	.....	74/553
D207,489	S	*	4/1967	Collins	.....	D8/311
D208,918	S	*	10/1967	Dole	.....	D8/311
3,534,706	A	*	10/1970	Crispell	.....	116/320
3,902,375	A	*	9/1975	Herrick et al.	.....	74/10.54
4,409,861	A	*	10/1983	Sakurai	.....	74/501.6
5,433,126	A	*	7/1995	Corbett	.....	74/501.6
5,669,104	A	*	9/1997	Howie, Jr.	.....	16/441
D400,778	S	*	11/1998	Holbrook, Jr.	.....	D8/311

D498,657	S	*	11/2004	Milrud et al.	.....	D8/311
D510,515	S	*	10/2005	Miller	.....	D8/311
D511,669	S	*	11/2005	Miller	.....	D8/300
D521,314	S	*	5/2006	Ball	.....	D7/393
D525,518	S	*	7/2006	Baldwin	.....	D8/310
7,171,727	B2	*	2/2007	Wylie et al.	.....	16/441
D567,060	S	*	4/2008	Busalt et al.	.....	D8/310

\* cited by examiner

*Primary Examiner*—Paula Greene

(74) *Attorney, Agent, or Firm*—James E. Howard; Andre Pallapies

(57) **CLAIM**

The ornamental design for a gas range knob, as shown and described.

**DESCRIPTION**

FIG. 1 is a perspective view of a gas range knob showing our new design;

FIG. 2 is a front view thereof;

FIG. 3 is a top view thereof; and,

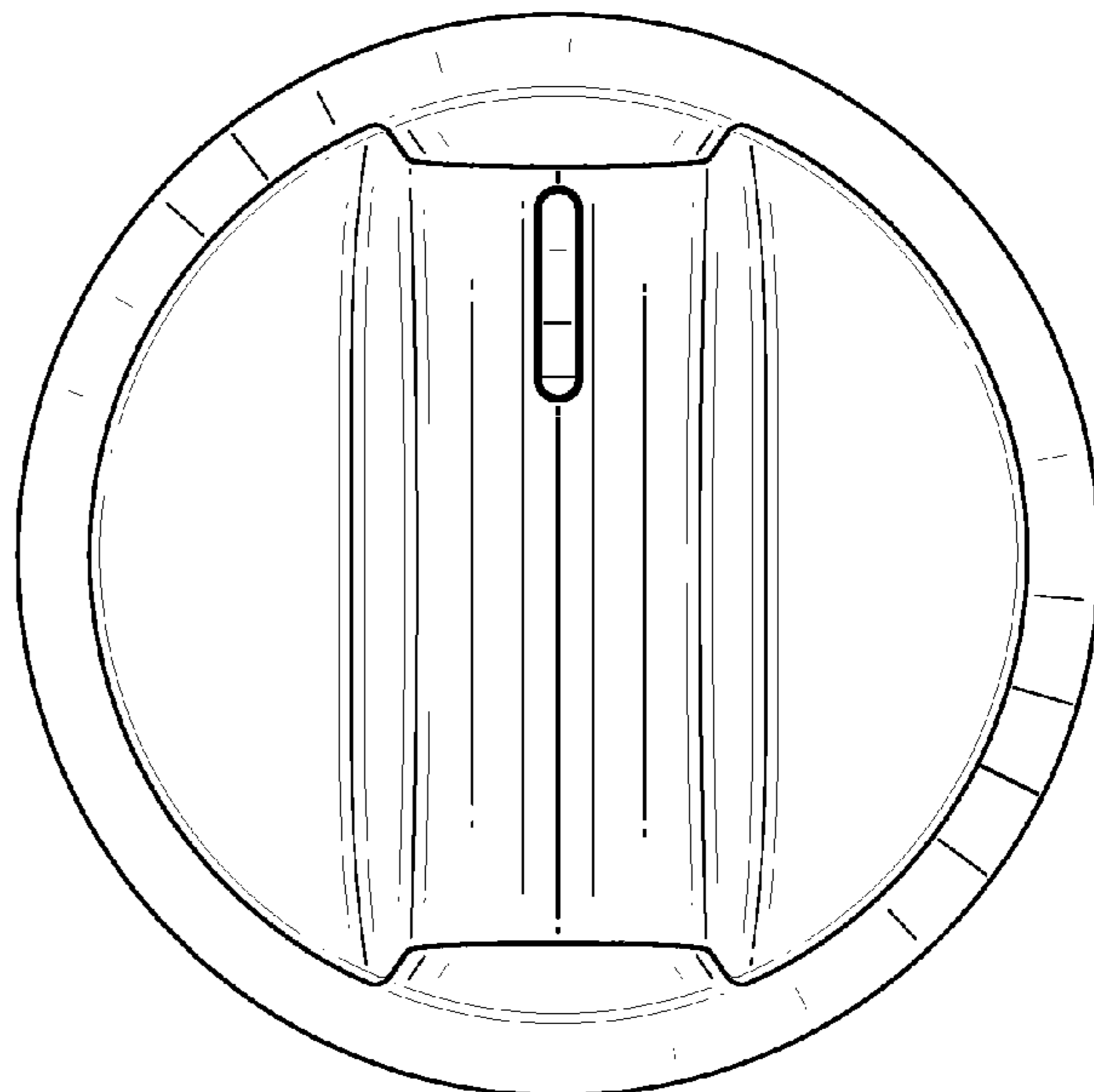
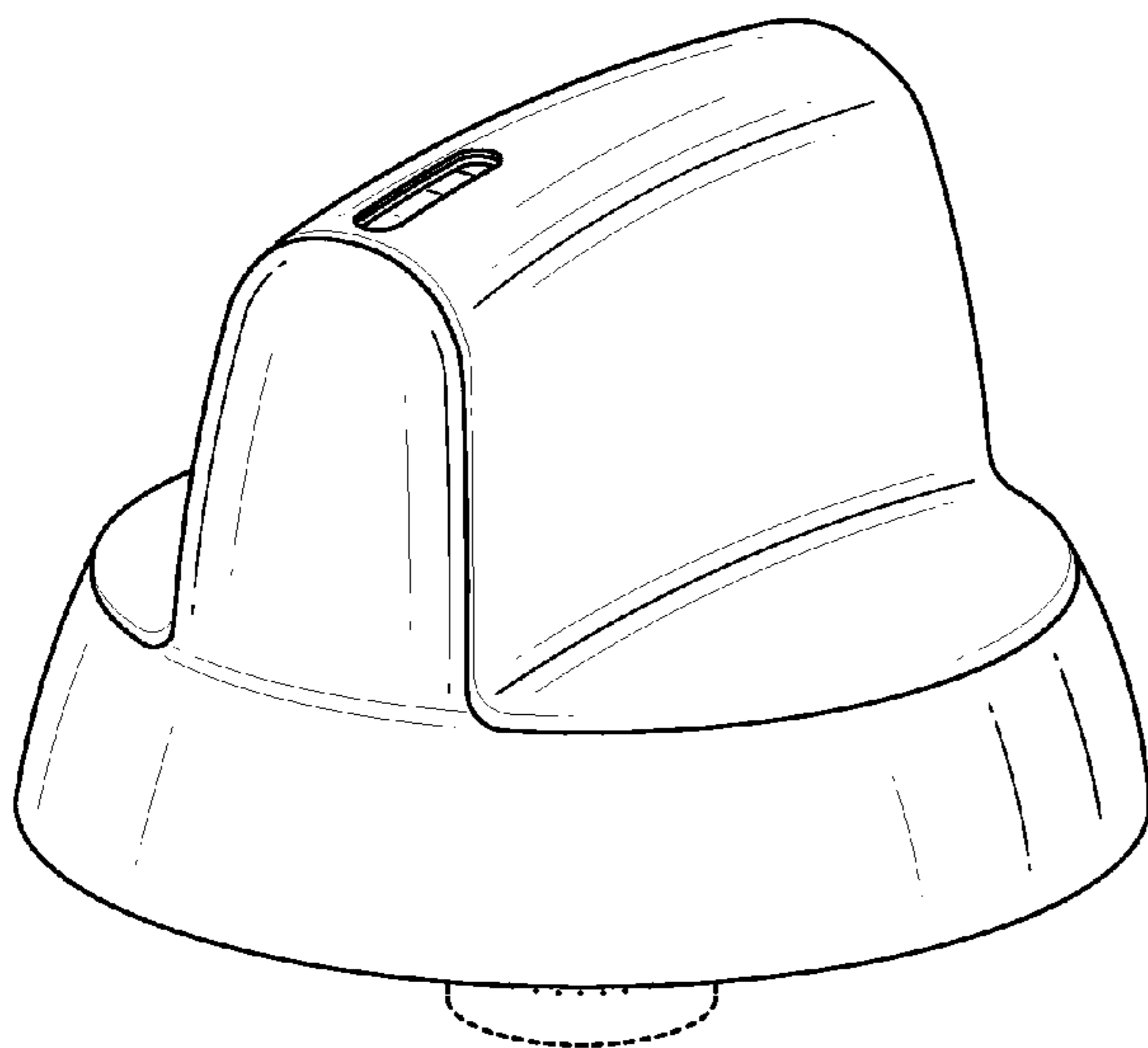
FIG. 4 is a side view thereof.

The bottom view is not shown and does not form a part of the claimed design.

The broken lines form no part of the claimed design.

The dotted lines represent the border between claimed and unclaimed subject matter and do not form a part of the claimed design.

**1 Claim, 2 Drawing Sheets**



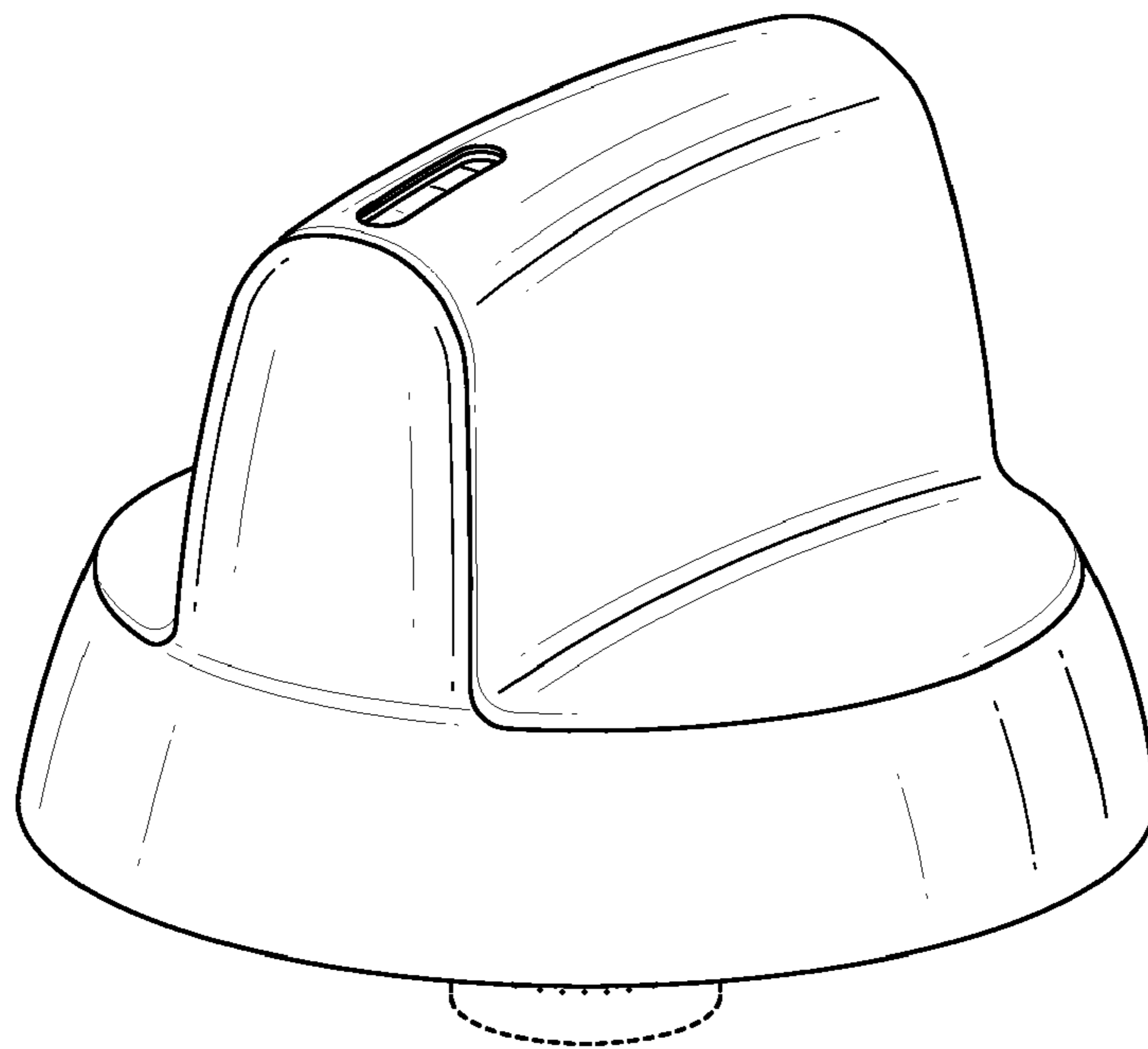


Figure 1

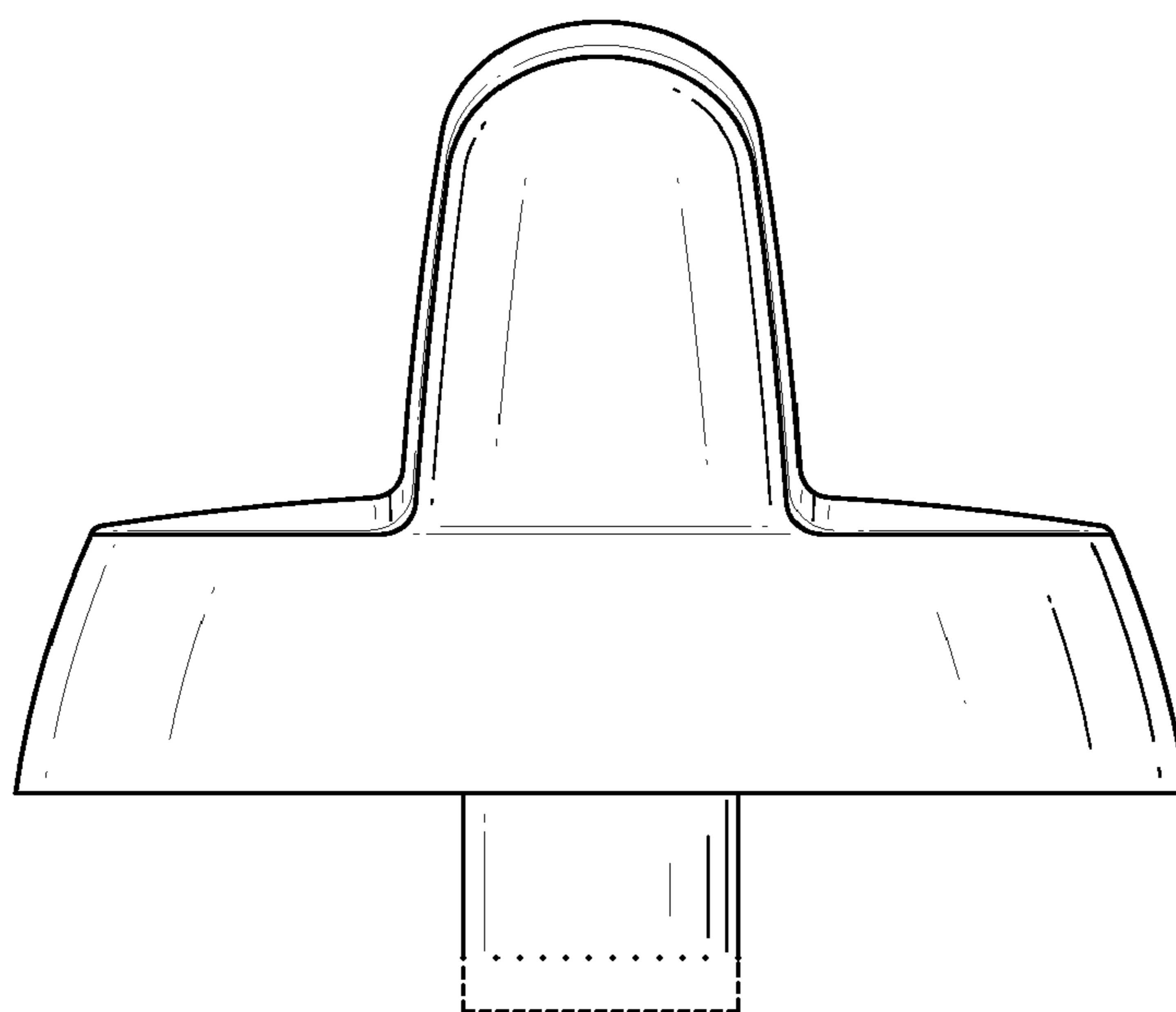


Figure 2

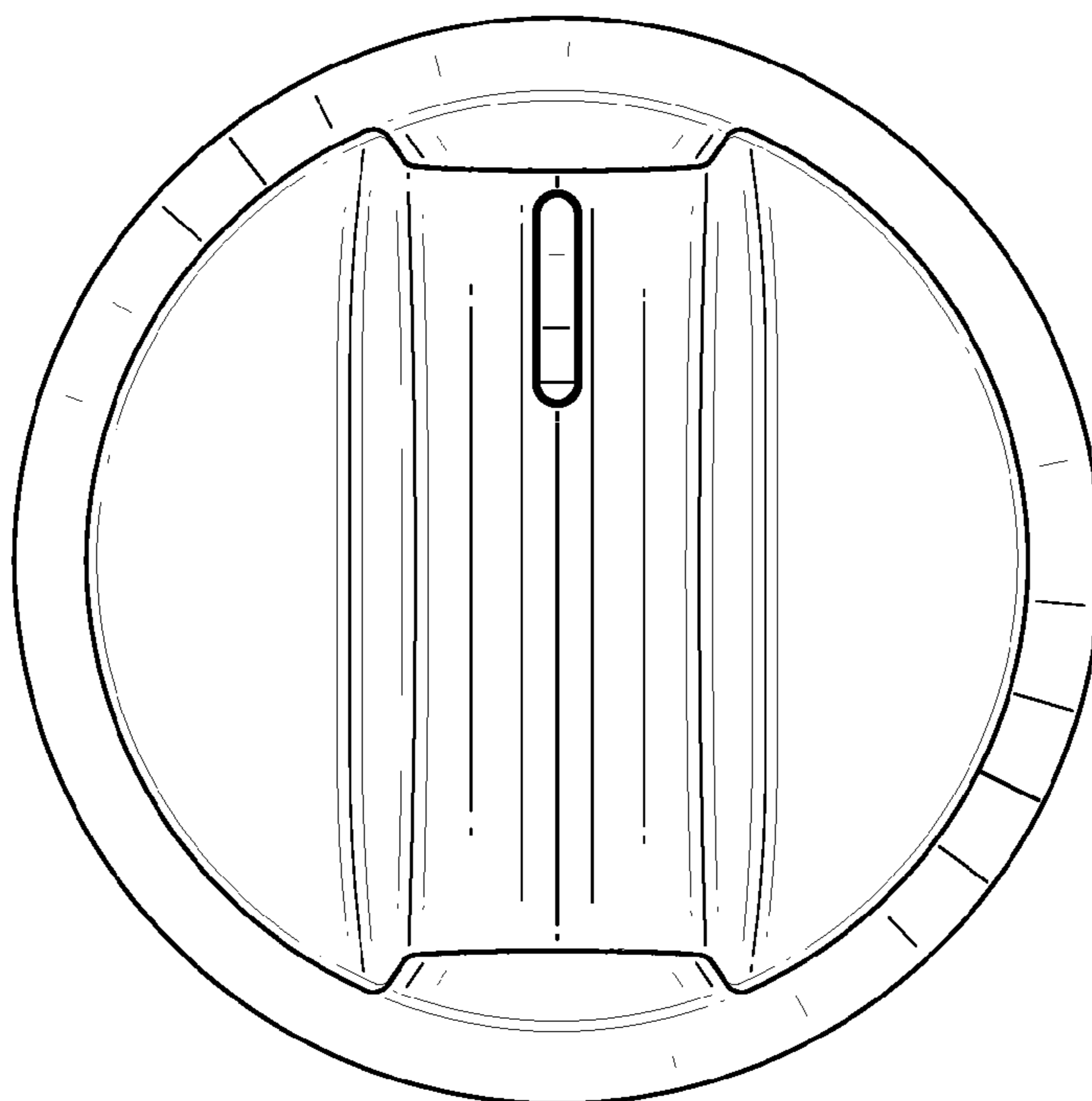


Figure 3

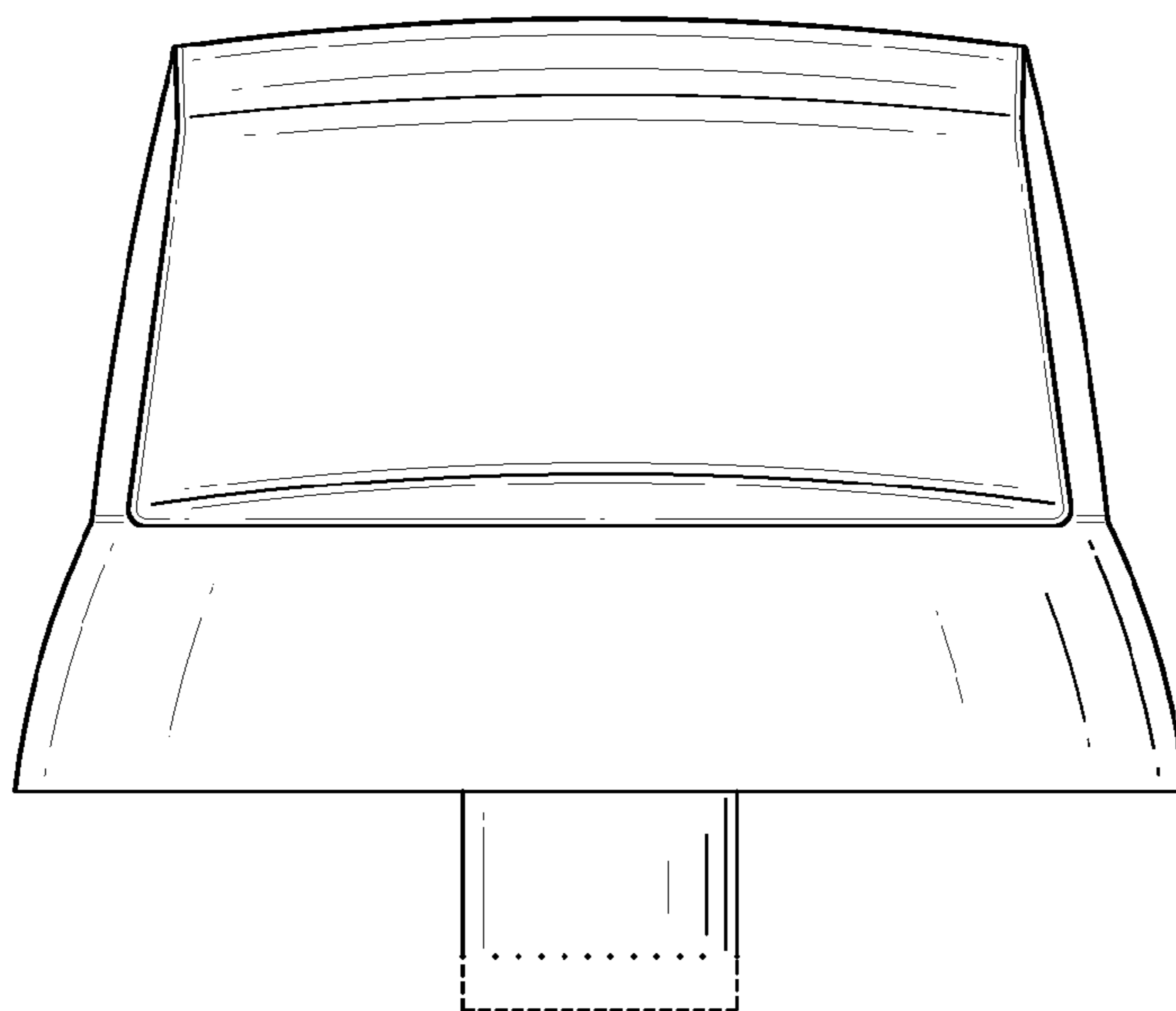


Figure 4