



US00D612703S

(12) **United States Design Patent**
Hanes

(10) **Patent No.:** **US D612,703 S**
(45) **Date of Patent:** **** Mar. 30, 2010**

(54) **CABINET KNOB**

(75) Inventor: **Wendy Hanes**, Benton, LA (US)

(73) Assignee: **Hardware Resources, Inc.**, Bossier City, LA (US)

(**) Term: **14 Years**

(21) Appl. No.: **29/313,387**

(22) Filed: **Dec. 31, 2008**

(51) **LOC (9) Cl.** **08-06**

(52) **U.S. Cl.** **D8/307**

(58) **Field of Classification Search** D8/300,
D8/307, 310, DIG. 2, DIG. 3, 312; D7/392,
D7/393; 16/110.1, 417, 441; 292/336.3,
292/337, 347; D23/250, 252, 254; D99/11;
220/752, 753; D6/524, 545, 580, 578; 40/331
See application file for complete search history.

(56) **References Cited**

U.S. PATENT DOCUMENTS

- 2,068,922 A * 1/1937 Marchand 16/417
- D123,262 S * 10/1940 Foster D8/307
- D132,609 S * 6/1942 Tomoe D8/312
- D203,147 S * 12/1965 Kaiser D23/250
- D312,497 S * 11/1990 Paul D23/254

- D527,977 S * 9/2006 Morris D8/307
- D527,978 S * 9/2006 Morris D8/307
- D527,979 S * 9/2006 Morris D8/307
- D538,132 S * 3/2007 Morris D8/307
- D543,088 S * 5/2007 Ricereto D8/310

* cited by examiner

Primary Examiner—Paula Greene

(74) *Attorney, Agent, or Firm*—Schultz & Associates, P.C.

(57) **CLAIM**

The ornamental design for a cabinet knob, as shown and described.

DESCRIPTION

FIG. 1 is a top isometric view of a cabinet knob showing my new design;

FIG. 2 is a longitudinal side elevational view thereof, the opposite side is a mirror image;

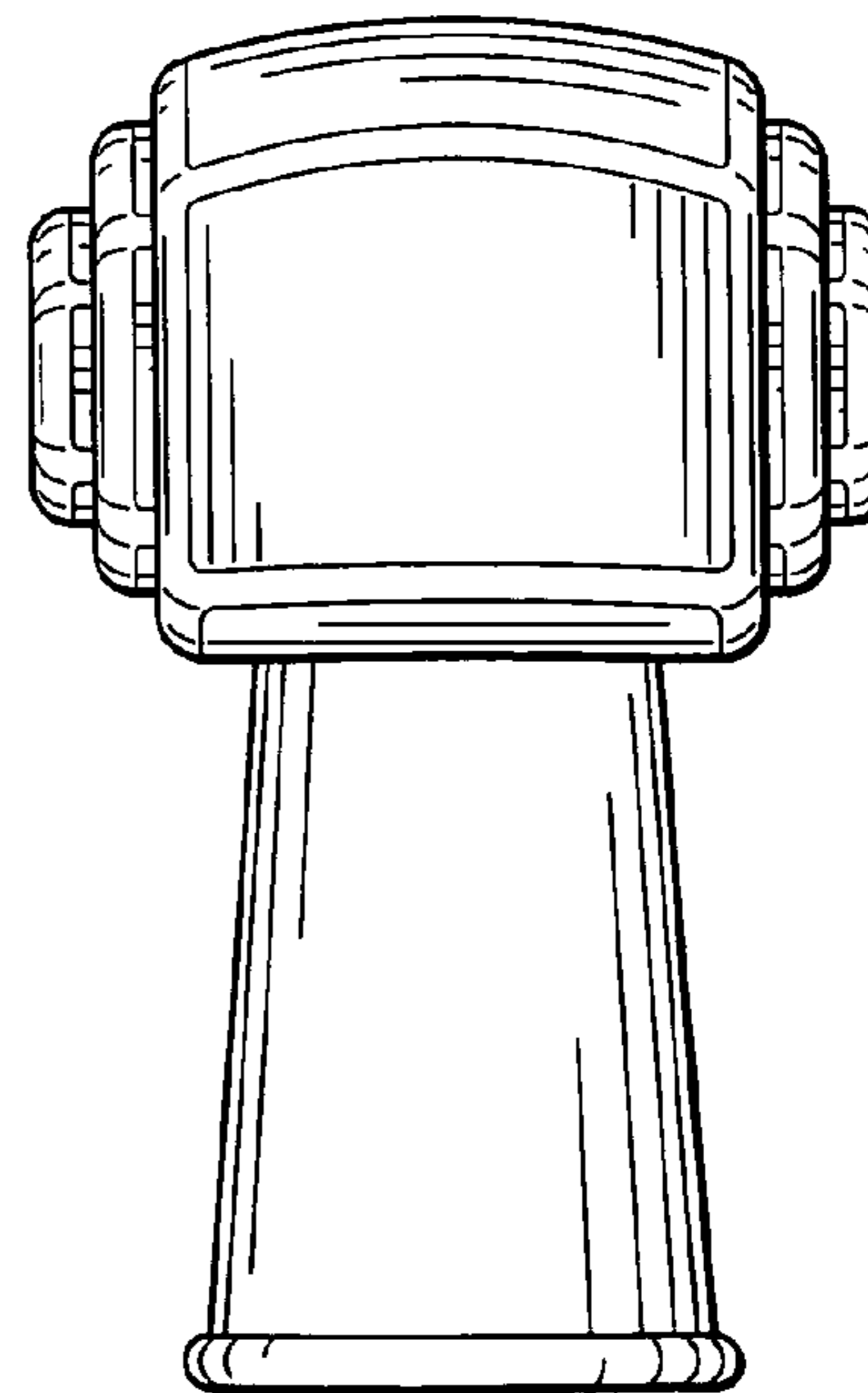
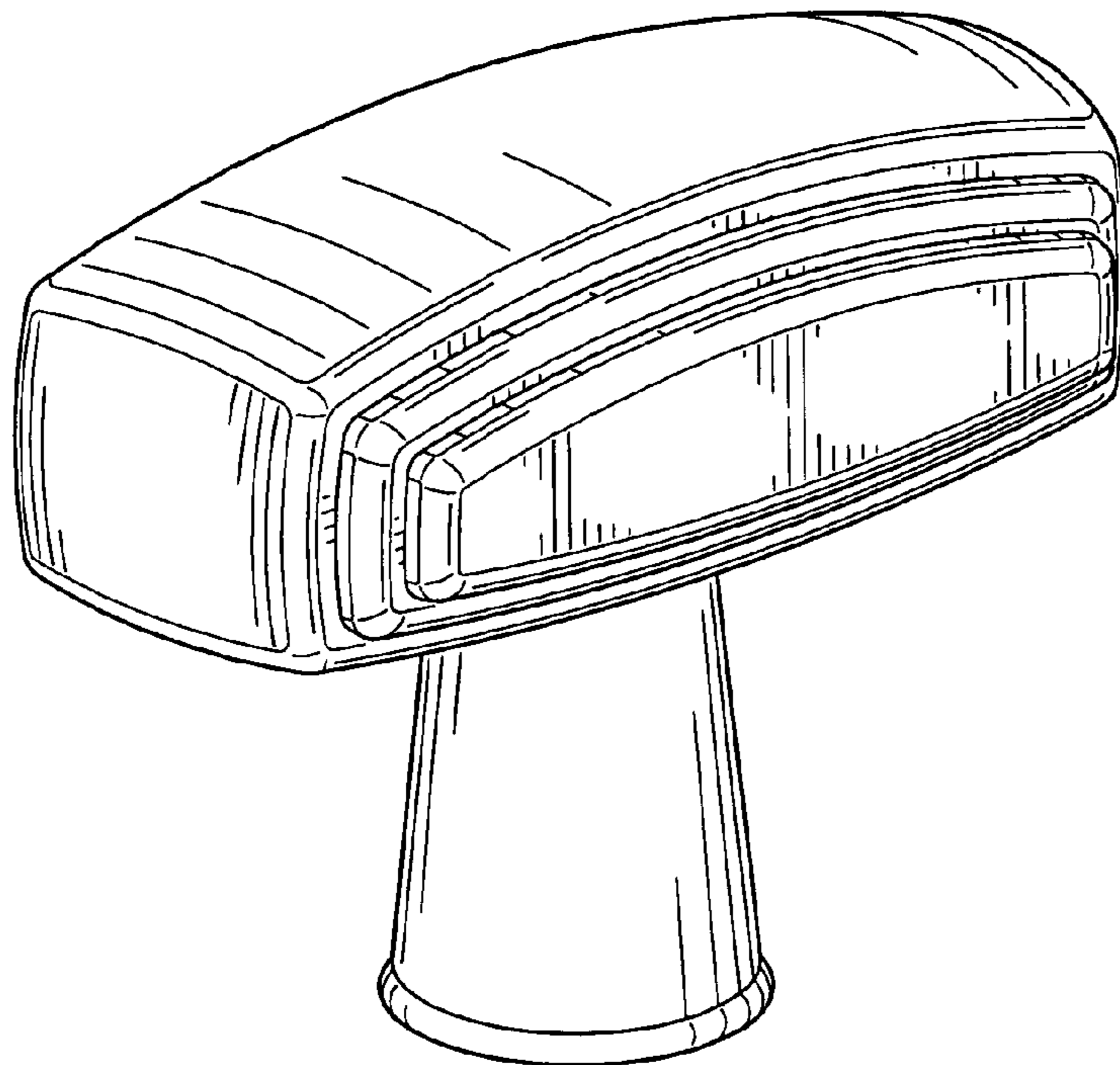
FIG. 3 is a top plan view thereof;

FIG. 4 is a lateral side elevational view thereof, the opposite side is a mirror image; and,

FIG. 5 is a bottom plan view thereof.

The broken lines are included for the purpose of illustration and form no part of the claimed design.

1 Claim, 3 Drawing Sheets



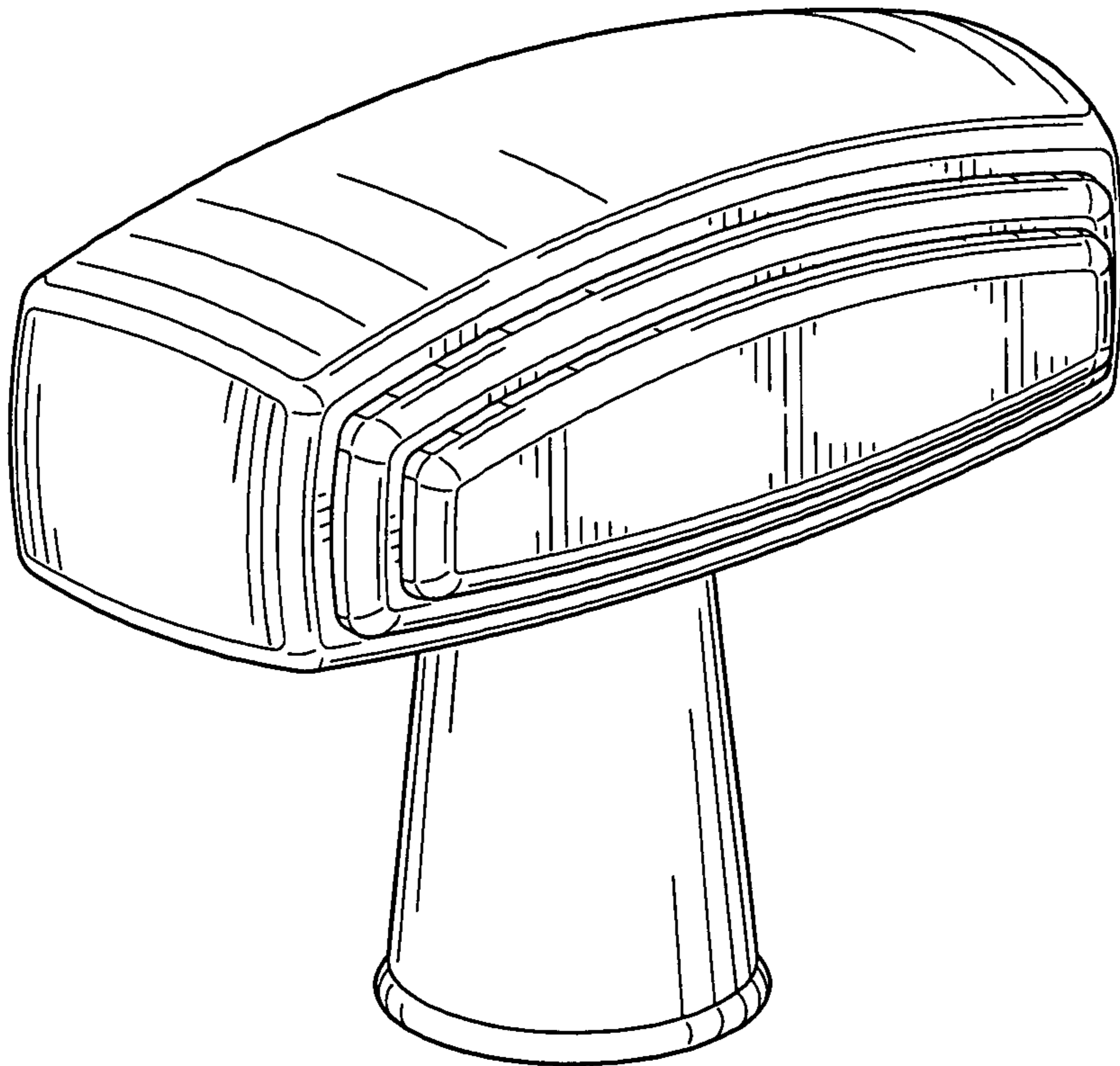


FIG. 1

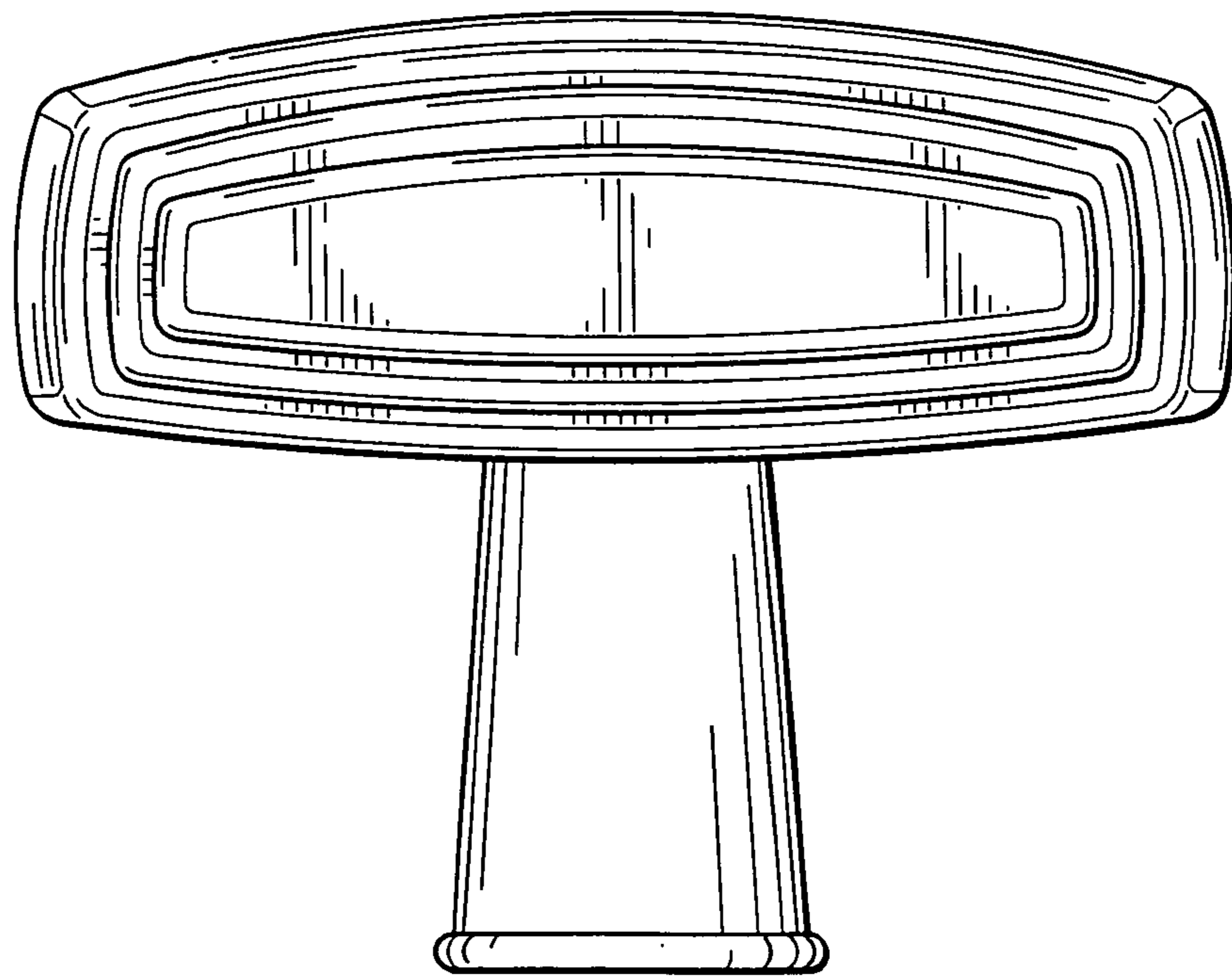


FIG. 2

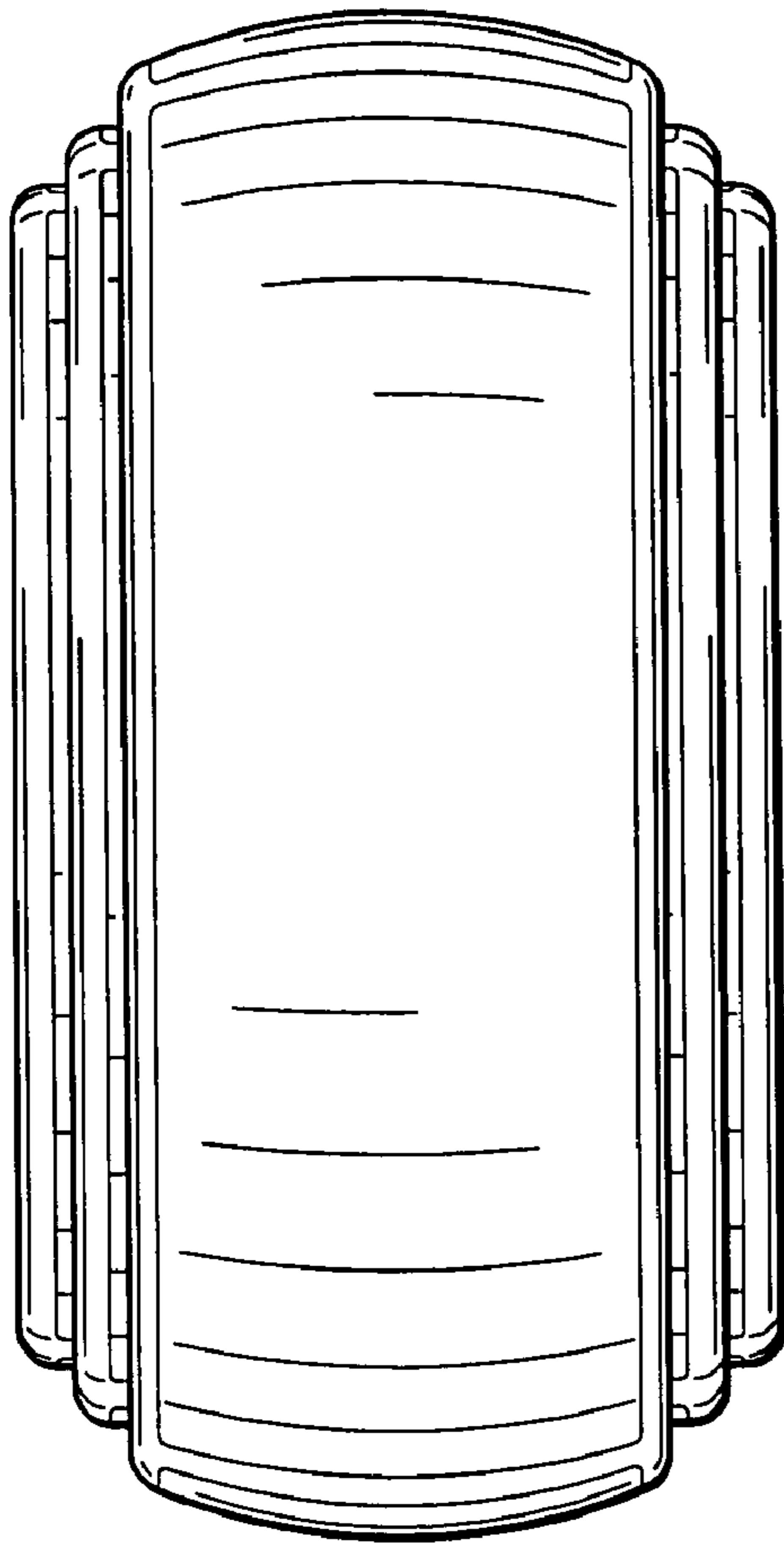


FIG. 3

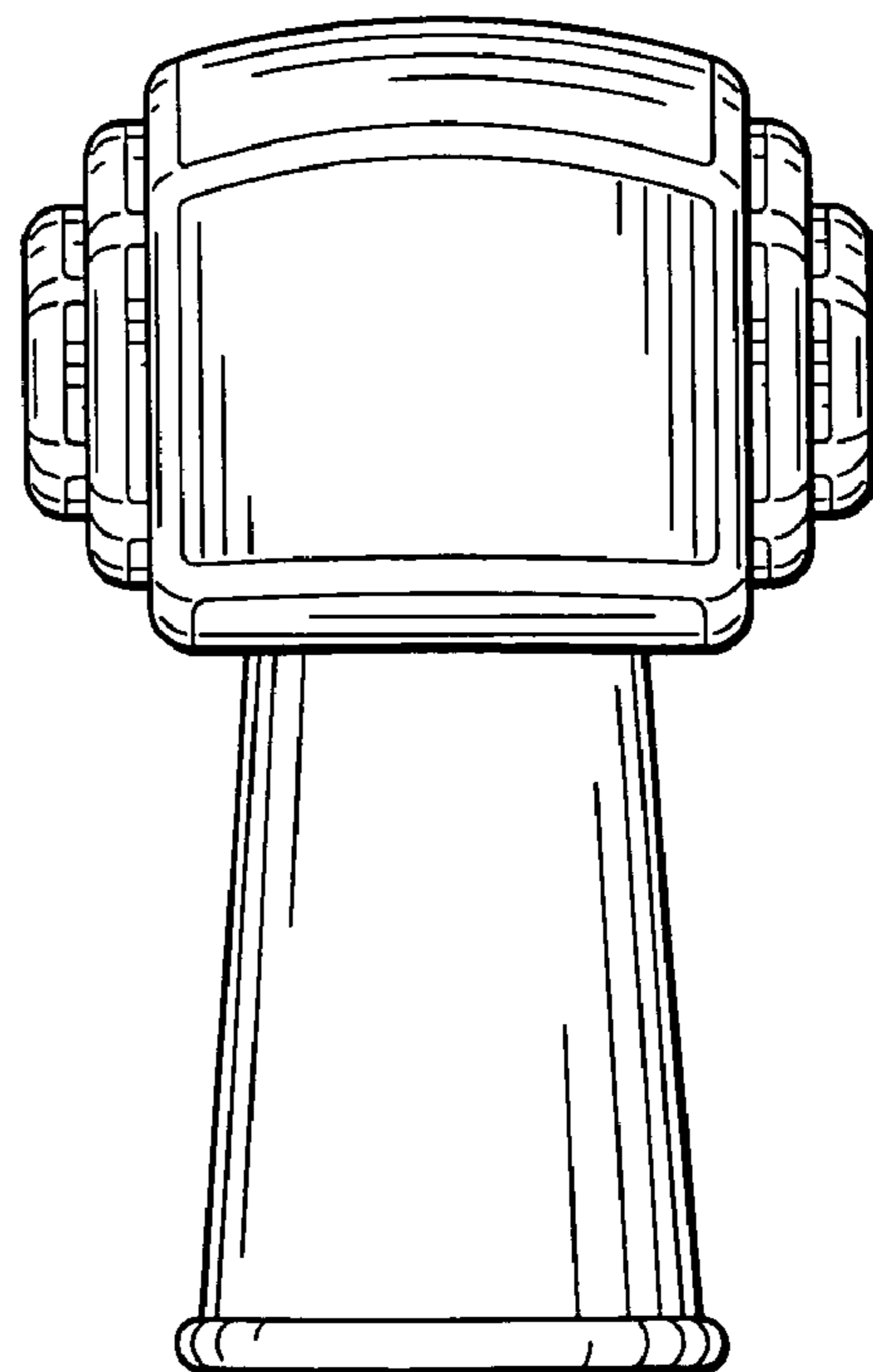


FIG. 4

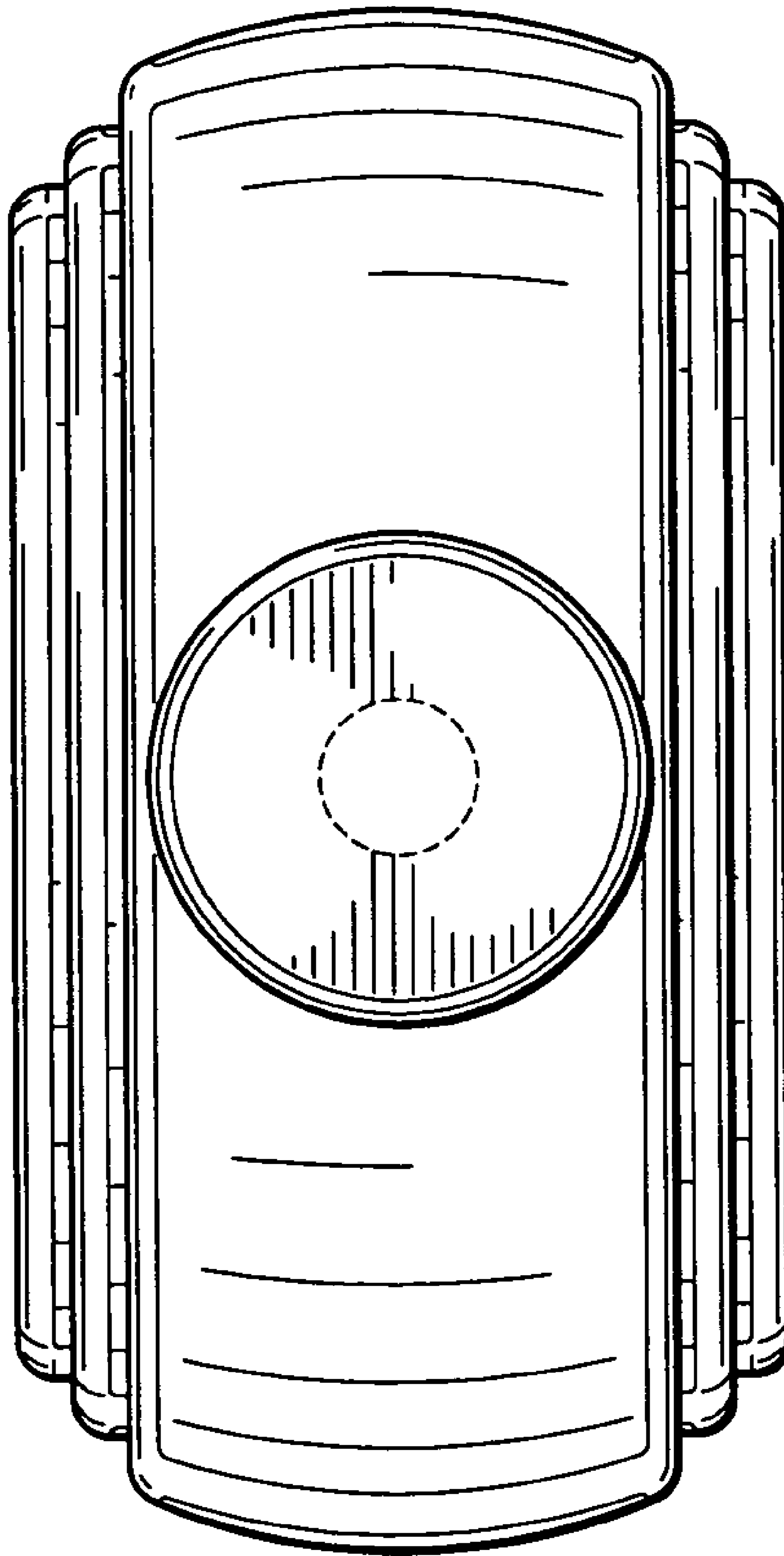


FIG. 5