



US00D612699S

(12) **United States Design Patent**
Groten et al.

(10) **Patent No.:** **US D612,699 S**

(45) **Date of Patent:** **** Mar. 30, 2010**

(54) **TUBE CUTTERS**

(75) Inventors: **Alberto Groten**, Irun (ES); **Martin Eizaguirre**, Irun (ES); **Manuel Aizpurua**, Irun (ES)

(73) Assignee: **Zenten Bernhard Groten, S.L.**, Irun (Guipuzcoa) (ES)

(**) Term: **14 Years**

(21) Appl. No.: **29/343,271**

(22) Filed: **Sep. 10, 2009**

(30) **Foreign Application Priority Data**

Mar. 11, 2009 (EM) 001103444-0002

(51) **LOC (9) Cl.** **08-03**

(52) **U.S. Cl.** **D8/60**

(58) **Field of Classification Search** D8/1, D8/4, 5, 14, 51-60, 107; 30/92-108, 249-251
See application file for complete search history.

(56) **References Cited**

U.S. PATENT DOCUMENTS

4,084,317	A *	4/1978	Nakamura et al.	30/94
D252,666	S *	8/1979	Sakamoto	D8/60
RE30,613	E *	5/1981	Nakamura et al.	30/94
D270,514	S *	9/1983	Muromoto	D8/60
D384,869	S *	10/1997	Aubriot	D8/60
D423,895	S *	5/2000	Azkona	D8/60
6,098,291	A *	8/2000	Wang	30/92
D449,208	S *	10/2001	Ping	D8/52

6,305,087	B1 *	10/2001	Huang	30/250
6,513,245	B1 *	2/2003	Aubriot	30/92
D497,784	S *	11/2004	Picaza	D8/5
7,127,819	B1 *	10/2006	Huang	30/92
D574,678	S *	8/2008	Lin	D8/4
D581,233	S *	11/2008	Sullivan	D8/60
2008/0141538	A1 *	6/2008	Nandkumar et al.	30/92
2008/0307657	A1 *	12/2008	Macsay et al.	30/250

* cited by examiner

Primary Examiner—Cathron C Brooks

Assistant Examiner—Deanna Fluegeman

(74) *Attorney, Agent, or Firm*—Cook Alex Ltd.

(57) **CLAIM**

The ornamental design for the tube cutters, as shown and described.

DESCRIPTION

FIG. 1 is a perspective view is a perspective view of a tube cutters showing our new design;

FIG. 2 is a front elevational view thereof;

FIG. 3 is a rear elevational view thereof;

FIG. 4 is an elevational view taken from the right-hand side of FIG. 2;

FIG. 5 is an elevational view taken from the left-hand side of FIG. 2;

FIG. 6 is an elevational view taken from the bottom of FIG. 2; and,

FIG. 7 is an elevational view taken from the top of FIG. 2.

1 Claim, 5 Drawing Sheets

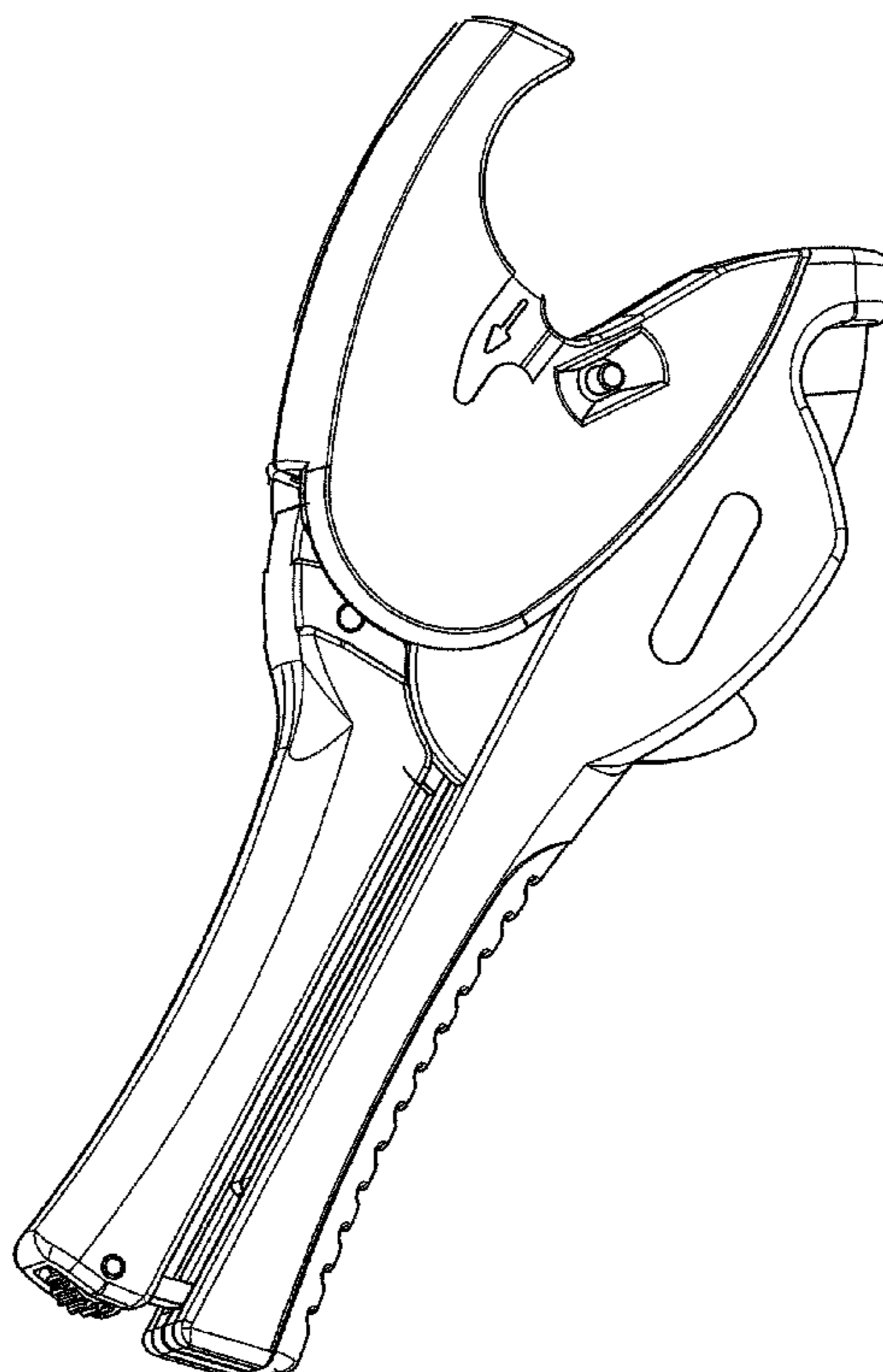


FIG. 1

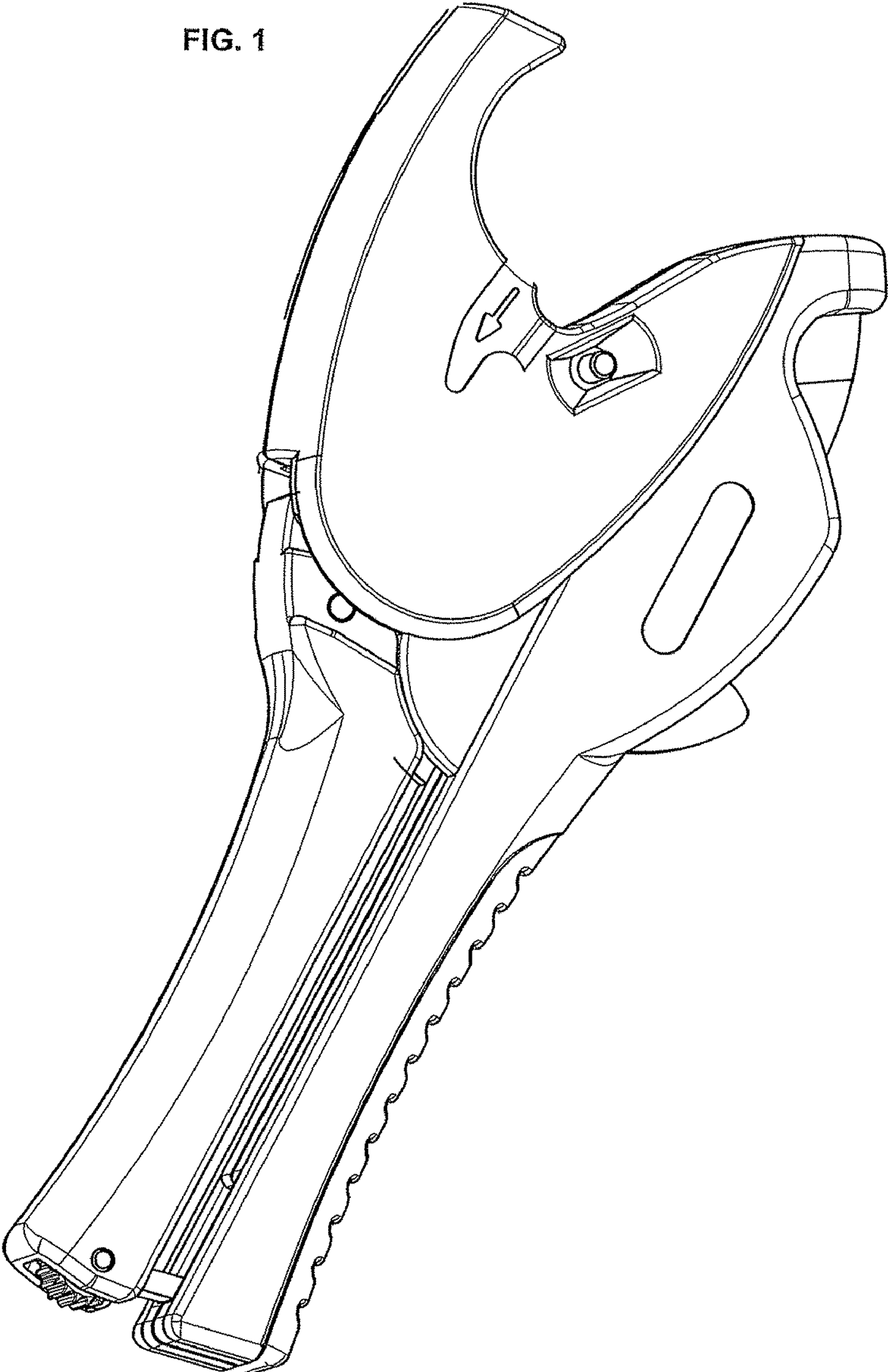


FIG. 2

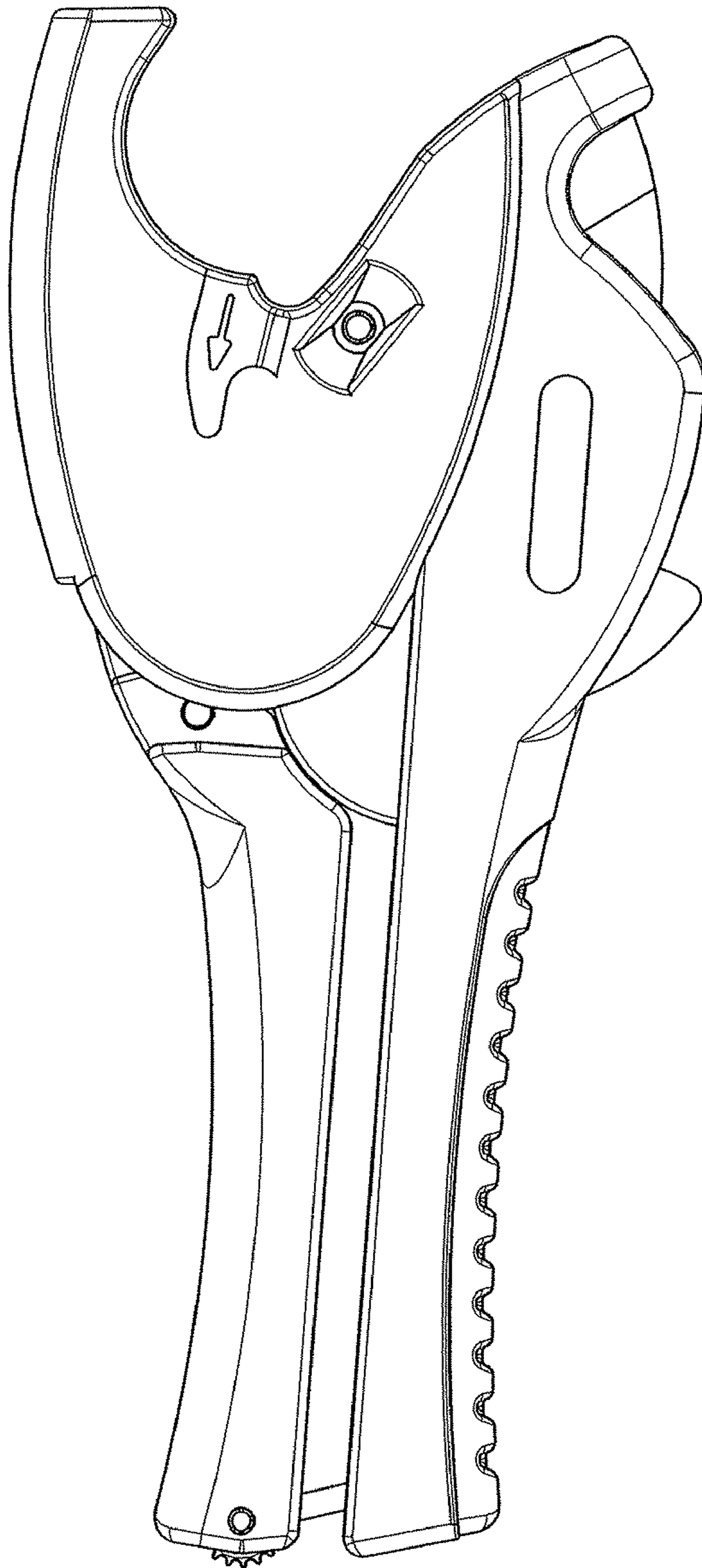


FIG. 3

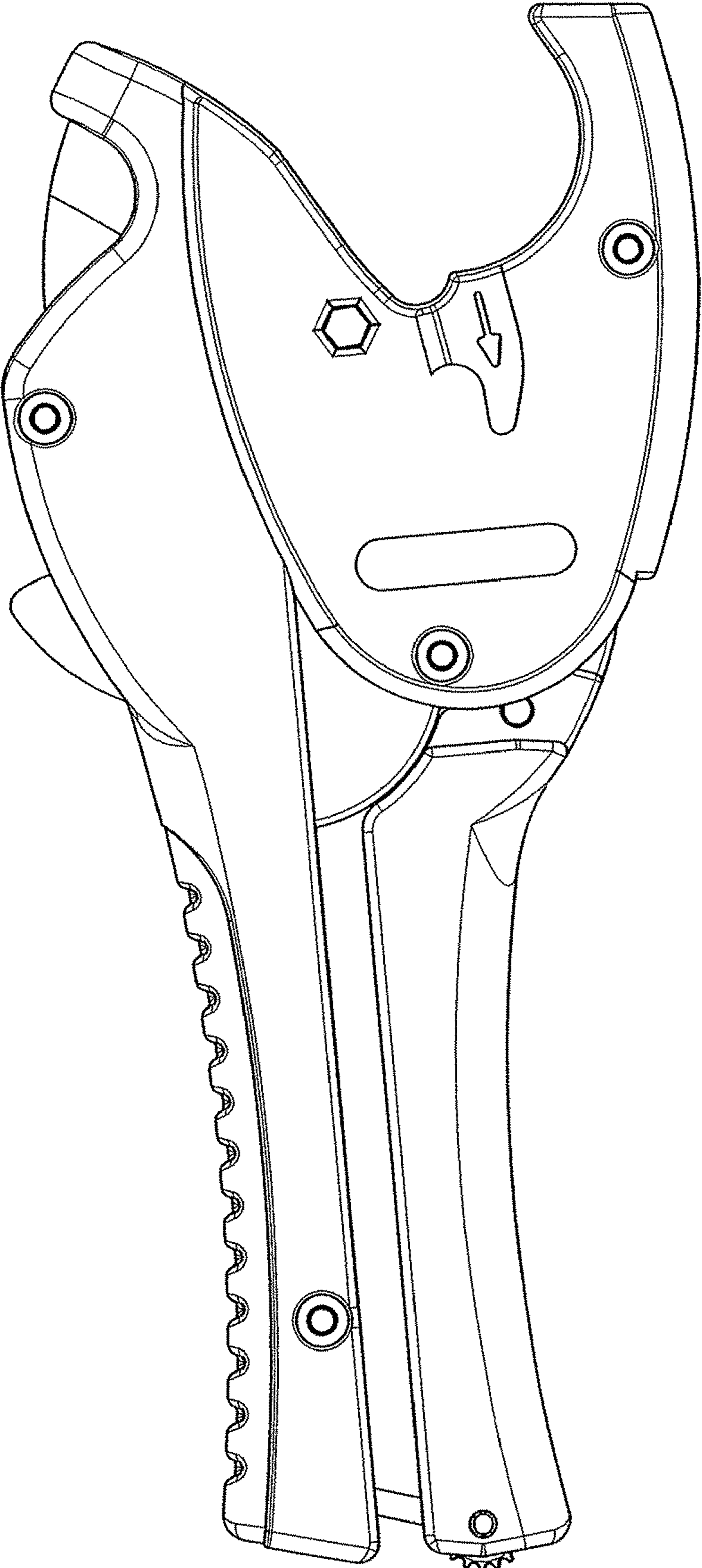


FIG. 4

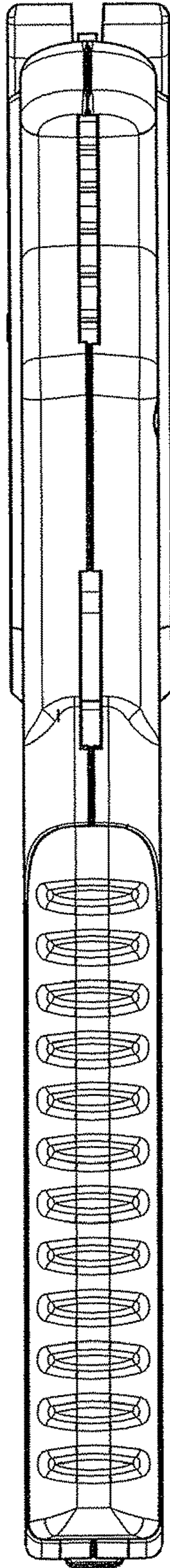


FIG. 5

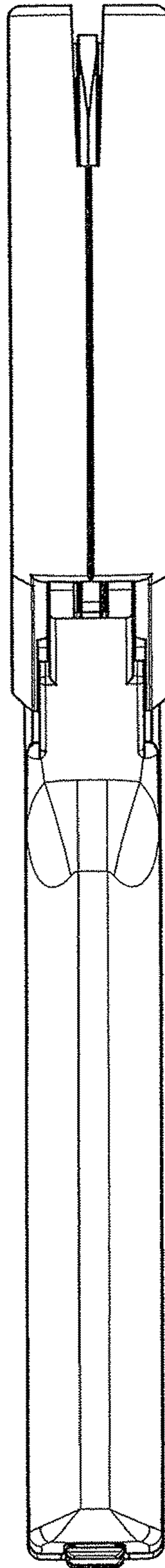


FIG. 6

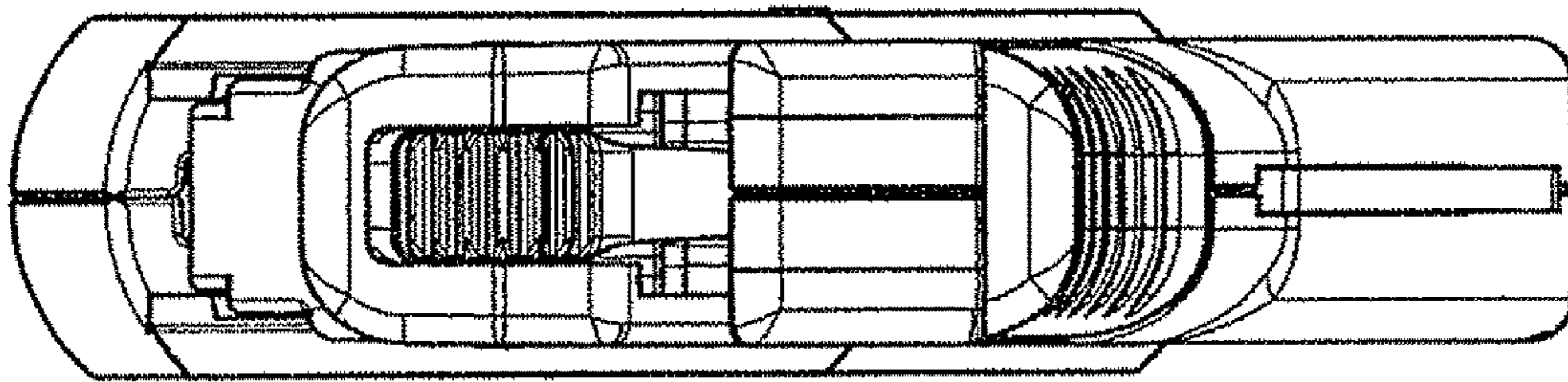


FIG. 7

