



US00D612697S

(12) **United States Design Patent**  
**Huang**

(10) **Patent No.:** **US D612,697 S**  
(45) **Date of Patent:** **\*\* Mar. 30, 2010**

(54) **PIPE CUTTER**

(76) Inventor: **Yin Han Huang**, No. 4, Lane 342,  
Pengyi Road, Taichung City, Taichung  
(TW)

(\*\*) Term: **14 Years**

(21) Appl. No.: **29/342,272**

(22) Filed: **Aug. 21, 2009**

(51) **LOC (9) Cl.** ..... **08-03**

(52) **U.S. Cl.** ..... **D8/60**

(58) **Field of Classification Search** ..... D8/1,  
D8/4, 5, 14, 51-60, 107; 30/92-108, 249-251  
See application file for complete search history.

(56) **References Cited**

U.S. PATENT DOCUMENTS

4,336,652	A *	6/1982	Robertson	.....	30/258
D266,736	S *	11/1982	Robertson	.....	D8/98
D412,095	S *	7/1999	Tally	.....	D8/60
D455,329	S *	4/2002	Renner	.....	D8/98
6,370,780	B1 *	4/2002	Robertson et al.	.....	30/261
D477,201	S *	7/2003	Wang	.....	D8/52
6,658,738	B1 *	12/2003	King	.....	30/92
7,185,409	B1 *	3/2007	Myers	.....	29/268
7,204,021	B2 *	4/2007	Houseman et al.	.....	30/92
D558,553	S *	1/2008	Feith	.....	D8/98

7,346,986	B2 *	3/2008	Feith	.....	30/92
D584,121	S *	1/2009	Fancelli	.....	D8/52
7,549,226	B2 *	6/2009	Mortensen	.....	30/92
2005/0262697	A1 *	12/2005	Stein	.....	30/92
2006/0254057	A1 *	11/2006	Houseman et al.	.....	30/92
2007/0193035	A1 *	8/2007	Feith	.....	30/92
2008/0010835	A1 *	1/2008	Mortensen	.....	30/92
2008/0141538	A1 *	6/2008	Nandkumar et al.	.....	30/92

\* cited by examiner

*Primary Examiner*—Cathron C Brooks  
*Assistant Examiner*—Deanna Fluegeman

(57) **CLAIM**

The ornamental design for a pipe cutter, as shown.

**DESCRIPTION**

FIG. 1 is a perspective view of a pipe cutter showing my new design;

FIG. 2 is a right side view thereof;

FIG. 3 is a left side view thereof;

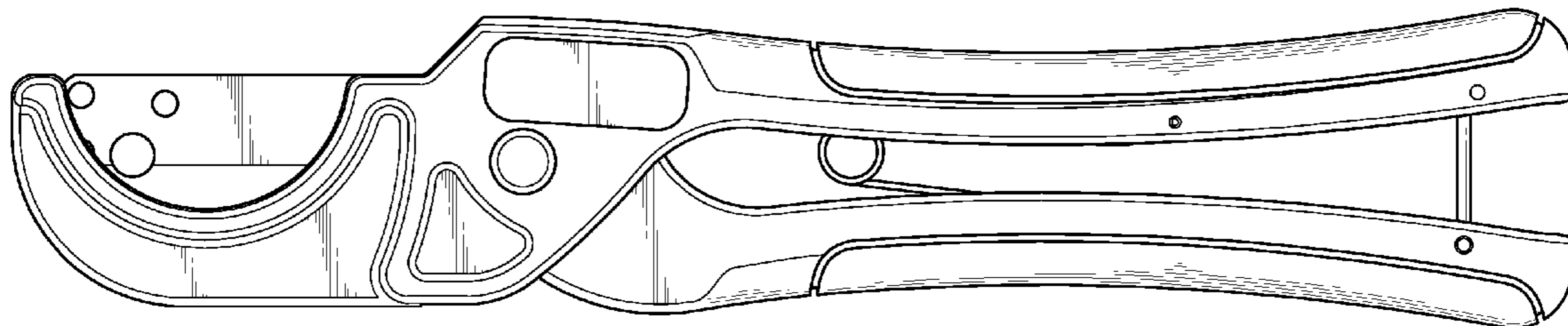
FIG. 4 is a front end view thereof;

FIG. 5 is a rear end view thereof;

FIG. 6 is a top plan view thereof; and,

FIG. 7 is a bottom plan view thereof.

**1 Claim, 5 Drawing Sheets**



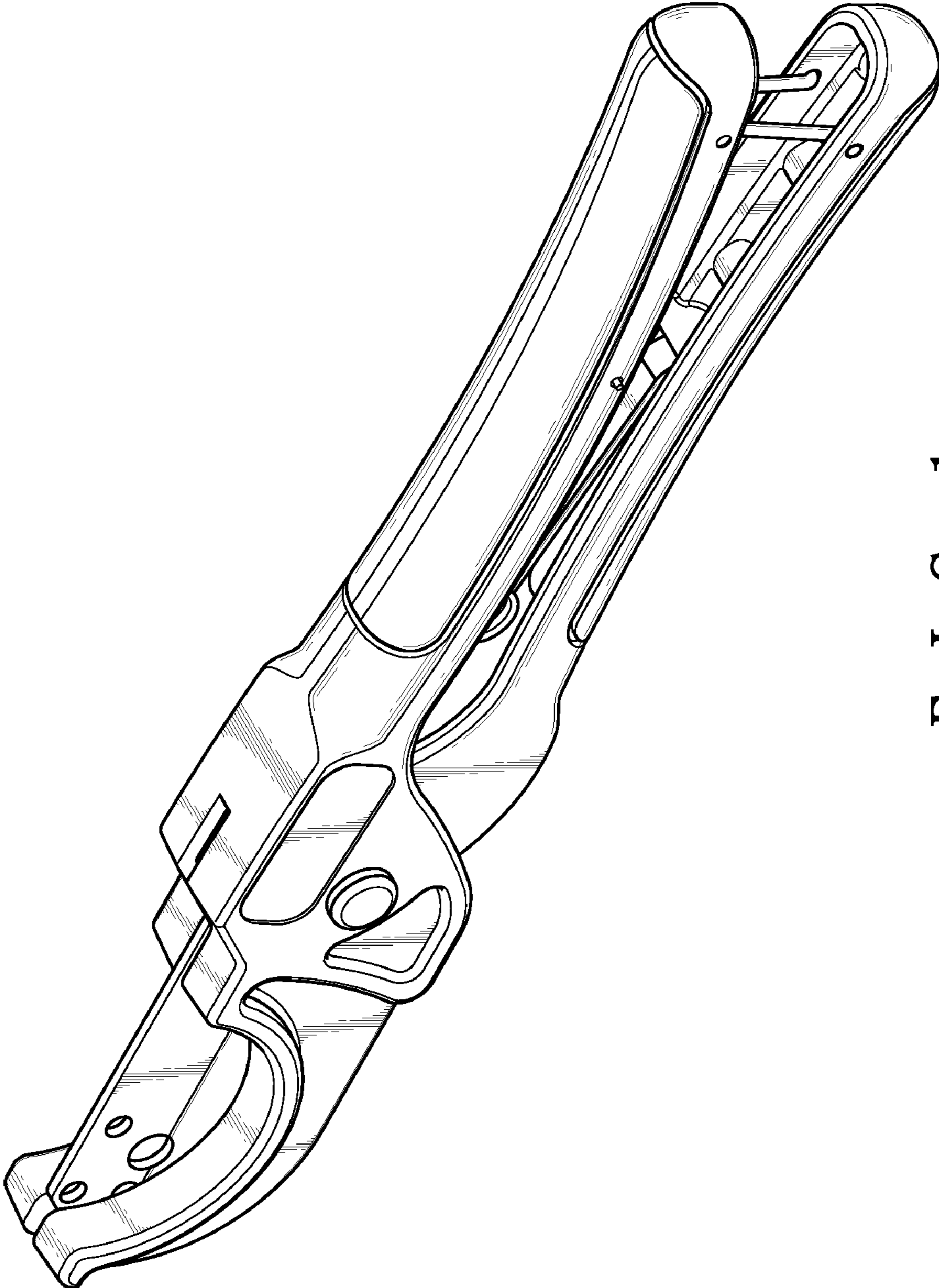


FIG. 1

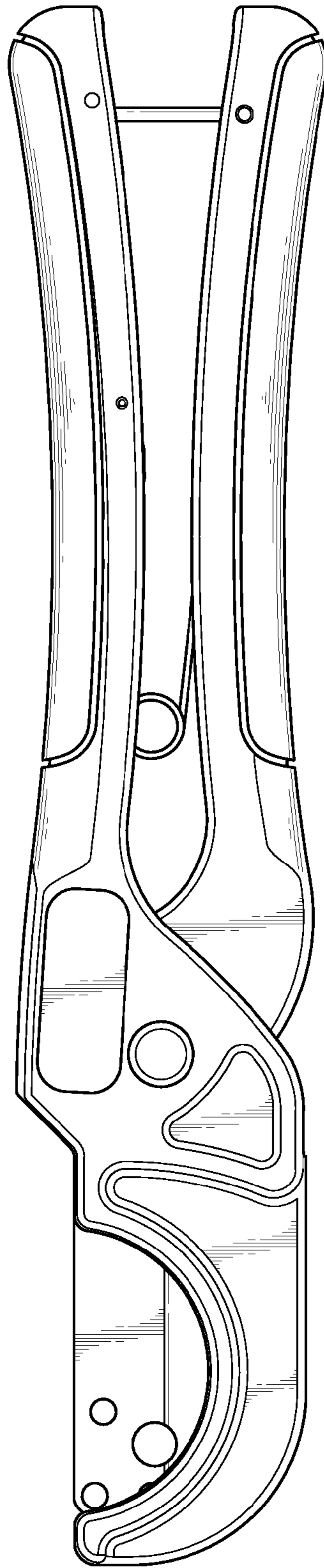


FIG. 2

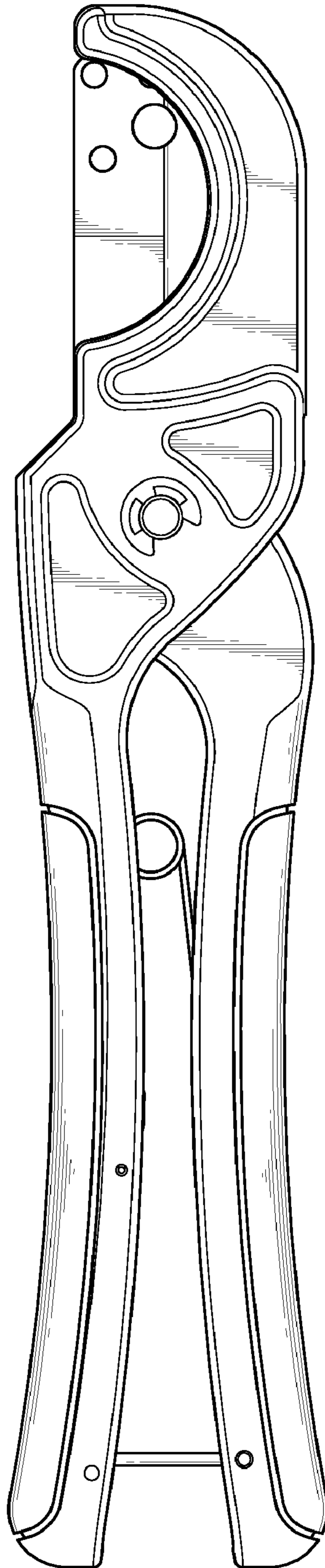


FIG. 3

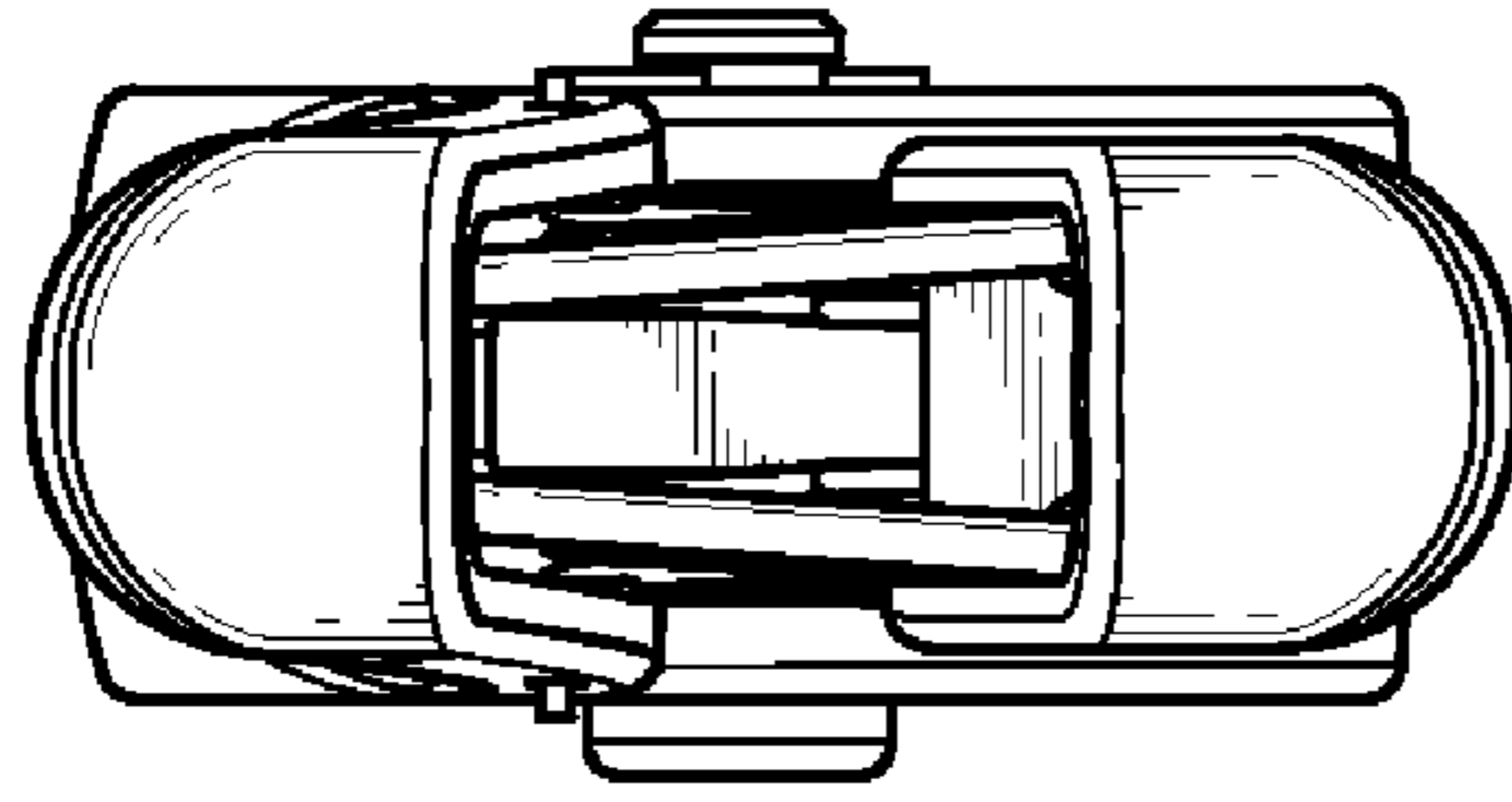


FIG. 4

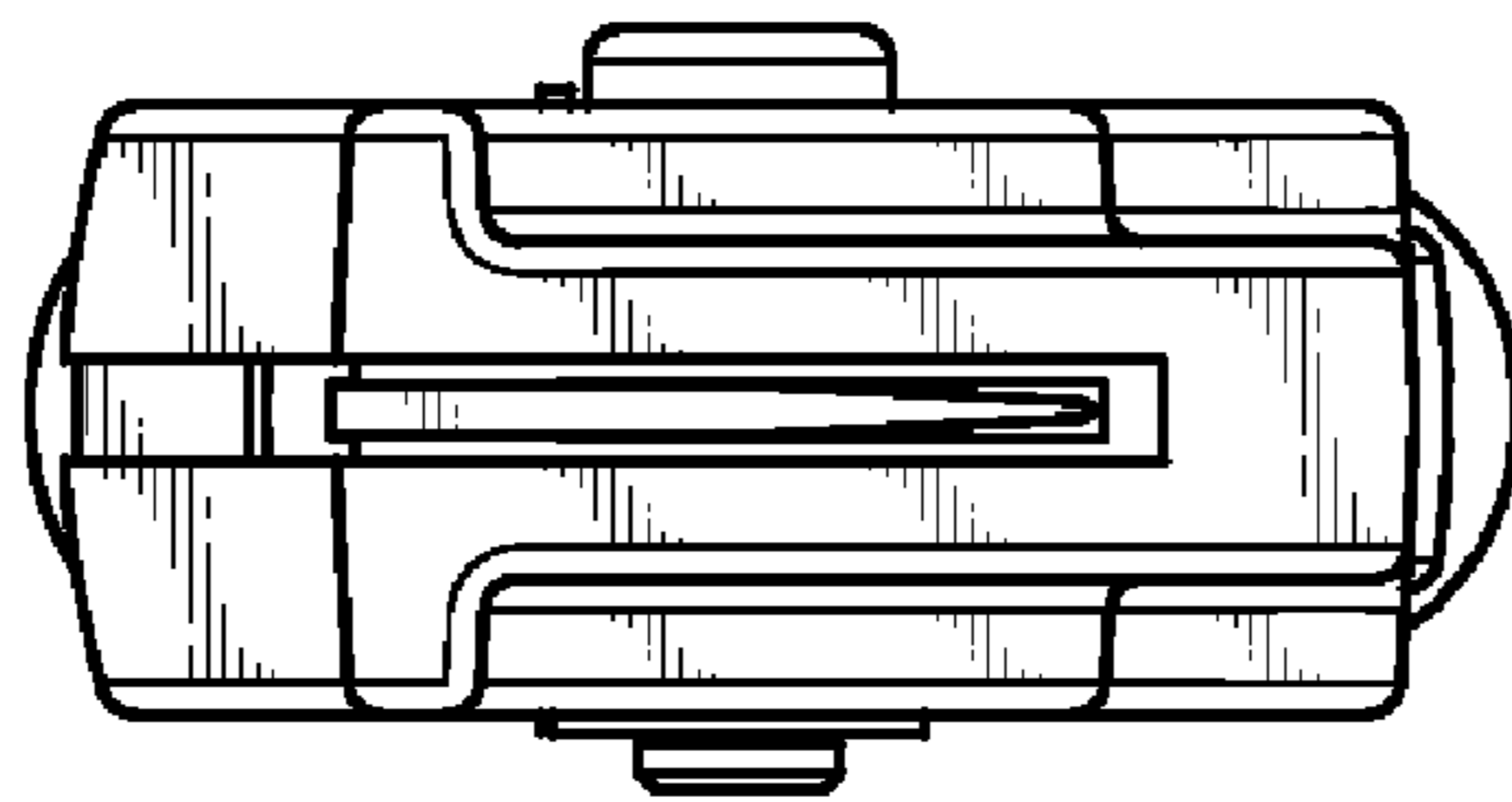


FIG. 5

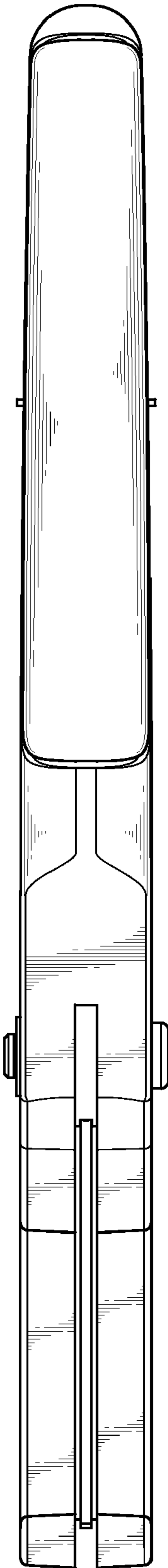


FIG. 6

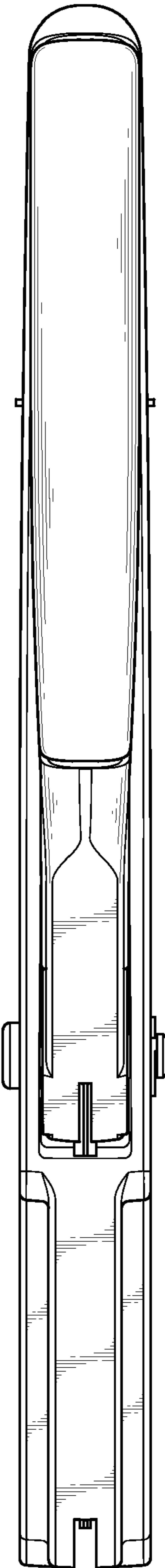


FIG. 7