



US00D612695S

(12) **United States Design Patent**
Schultheiss

(10) **Patent No.:** **US D612,695 S**
(45) **Date of Patent:** **** Mar. 30, 2010**

(54) **GRIPPER JOINT**

(75) Inventor: **Martin Schultheiss**, Schwäbisch Gmünd
(DE)

(73) Assignee: **Kunststoffwerk AG Buchs**, Buchs SG
(CH)

(**) Term: **14 Years**

(21) Appl. No.: **29/327,365**

(22) Filed: **Nov. 4, 2008**

(30) **Foreign Application Priority Data**

May 8, 2008 (CH) 135131

(51) **LOC (9) Cl.** **08-05**

(52) **U.S. Cl.** **D8/51; D8/52**

(58) **Field of Classification Search** D8/4,
D8/5, 51-56, 58, 70, 71, 81, 104-107; 81/385,
81/405, 407-409, 411, 415-418, 326, 424.5,
81/427.5, 426, 427, 300, 318, 329, 342, 393;
D24/133, 148, 153; D22/149, 150
See application file for complete search history.

(56) **References Cited**

U.S. PATENT DOCUMENTS

2,410,889 A * 11/1946 Martines 81/314
2,823,565 A * 2/1958 Bohland 81/424
4,090,420 A * 5/1978 Insolio 225/93
4,829,858 A * 5/1989 Kern et al. 81/415

D330,495 S * 10/1992 Cripe D8/52
6,134,994 A * 10/2000 Gomas 81/427.5
D433,608 S * 11/2000 Poehlmann et al. D8/52
D499,621 S * 12/2004 Tsuda D8/52
6,862,959 B2 * 3/2005 Lin Wu 81/300
D519,803 S * 5/2006 Tsuda D8/52

* cited by examiner

Primary Examiner—Cathron C Brooks
Assistant Examiner—Deanna Fluegeman
(74) *Attorney, Agent, or Firm*—Harness, Dickey & Pierce,
P.L.C.

(57) **CLAIM**

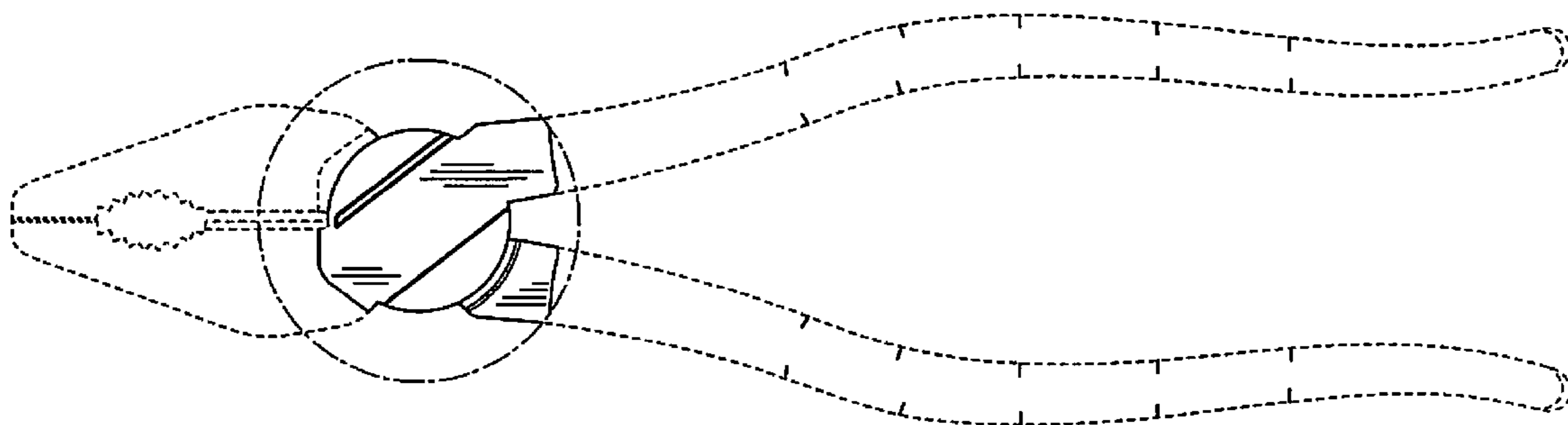
The ornamental design for a gripper joint, as shown and described.

DESCRIPTION

FIG. 1 is a side view of a tool including a gripper joint;
FIG. 2 is an enlarged perspective view of the area indicated with the unevenly-spaced boundary line in FIG. 1; and,
FIG. 3 is an enlarged side view of the area indicated with the unevenly-spaced boundary line in FIG. 1.

The evenly-spaced broken lines in FIGS. 1, 2, and 3 depict unclaimed portions of the gripper joint and form no part of the claimed design. The unevenly-spaced broken line in FIG. 1 forms the boundary of the claimed design and forms no part of the claimed design.

1 Claim, 2 Drawing Sheets



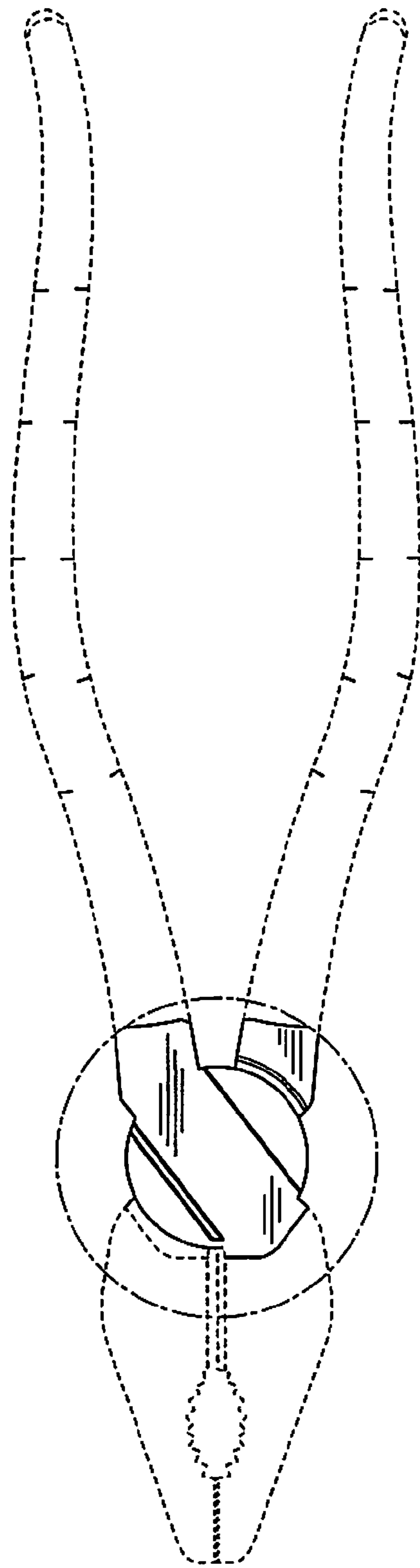


FIG. 1

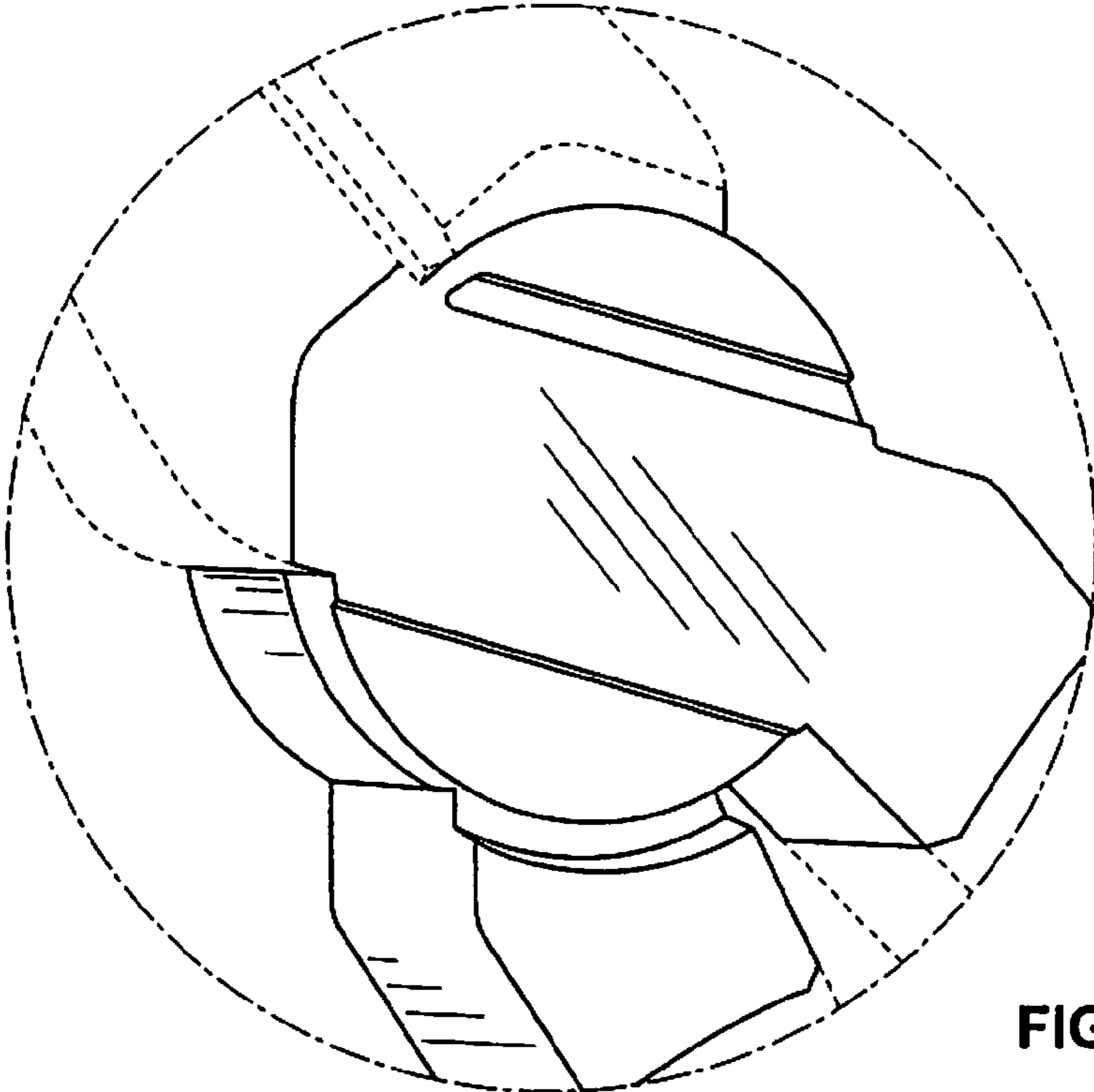


FIG. 2

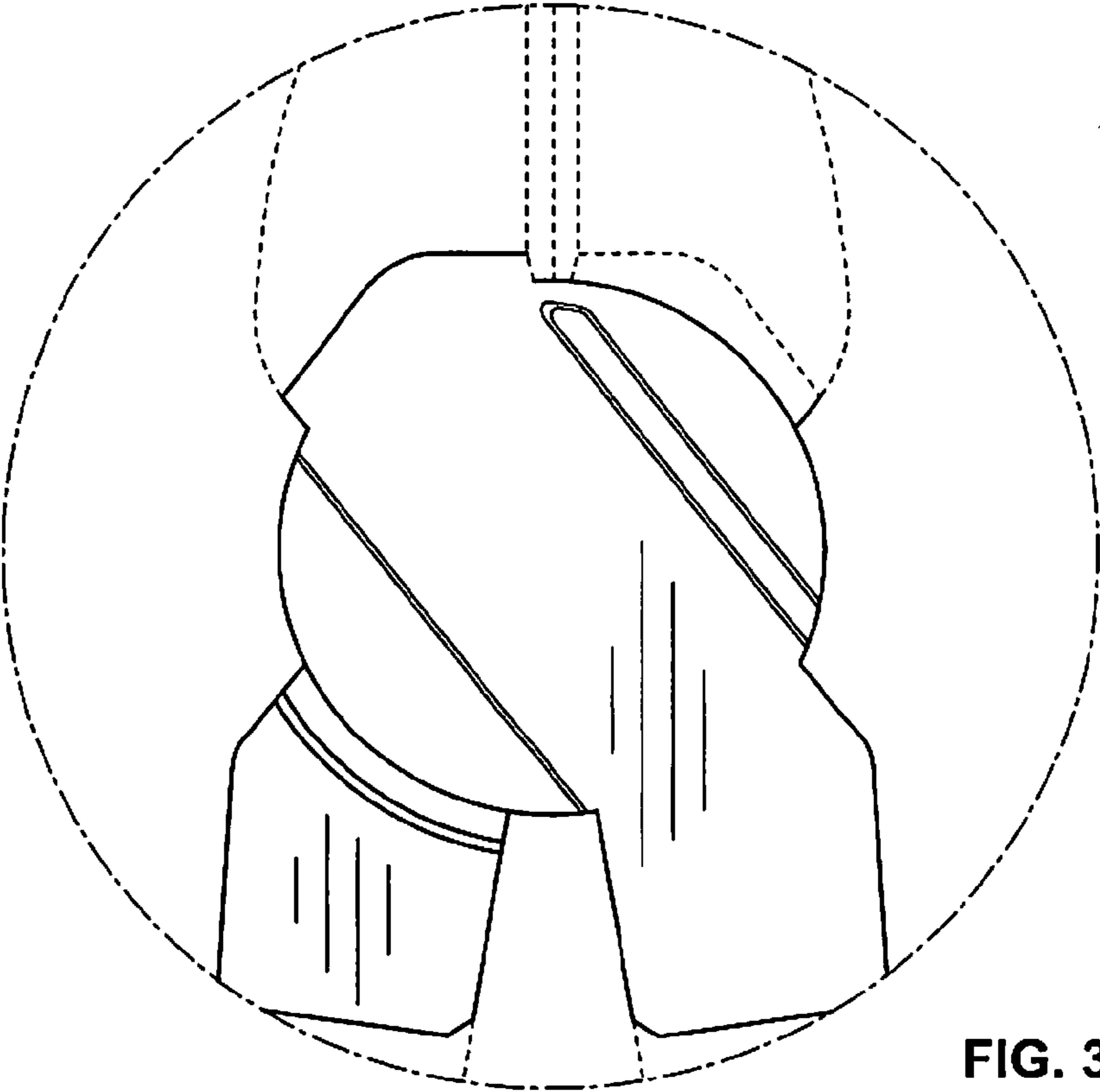


FIG. 3