



US00D612694S

(12) **United States Design Patent**
Eide et al.

(10) **Patent No.:** **US D612,694 S**
(45) **Date of Patent:** **** Mar. 30, 2010**

(54) **MEZZALUNA KNIFE**

(75) Inventors: **Annbjorg Eide**, Elmira, NY (US);
Anthony Baxter, Upper Montclair, NJ
(US); **Alberto Mantilla**, Rego Park, NY
(US); **Marisol Rodriguez**, New York,
NY (US); **Lucas Wade**, Brooklyn, NY
(US); **Robert Nightingale**, Brooklyn,
NY (US); **Jason Liang**, Fresh Meadows,
NY (US)

(73) Assignee: **WKI Holding Company, Inc.**,
Rosemont, IL (US)

(**) Term: **14 Years**

(21) Appl. No.: **29/334,179**

(22) Filed: **Mar. 21, 2009**

(51) **LOC (9) Cl.** **07-03**

(52) **U.S. Cl.** **D7/693**

(58) **Field of Classification Search** D7/680-696,
D7/669, 368, 649-652; 7/113; 294/1.1;
30/298.4, 151, 114, 142, 340, 314-317

See application file for complete search history.

(56) **References Cited**

U.S. PATENT DOCUMENTS

1,414,098	A	*	4/1922	Santana	30/315
D144,225	S	*	3/1946	Teague	D7/693
D150,920	S	*	4/1948	Besozzi	D7/693
D151,026	S	*	9/1948	Besozzi	D7/693
4,574,479	A	*	3/1986	Gramann	30/142
4,924,575	A	*	5/1990	James	30/315
4,959,905	A	*	10/1990	Ghislain	30/298.4

D330,665	S	*	11/1992	Neuendorf	D7/693
D375,662	S	*	11/1996	Noga	D7/694
D392,078	S	*	3/1998	Courts	D32/46
D410,177	S	*	5/1999	Carder	D8/15

* cited by examiner

Primary Examiner—Terry A Wallace
(74) *Attorney, Agent, or Firm*—McDermott, Will & Emery
LLP

(57) **CLAIM**

We claim the ornamental design for a mezzaluna knife, as shown and described.

DESCRIPTION

FIG. 1 is a perspective view of a mezzaluna knife according to the new design;

FIG. 2 is a top view of a mezzaluna knife according to the new design shown in FIG. 1;

FIG. 3 is a front view of a mezzaluna knife according to the new design shown in FIG. 1;

FIG. 4 is a rear view of a mezzaluna knife according to the new design shown in FIG. 1;

FIG. 5 is a bottom view of the mezzaluna knife shown in FIG. 1;

FIG. 6 is a left side elevation view of the mezzaluna knife shown in FIG. 1; and,

FIG. 7 is a right side elevation view of the mezzaluna knife shown in FIG. 1.

Features shown in broken lines form no part of the claimed design.

1 Claim, 4 Drawing Sheets

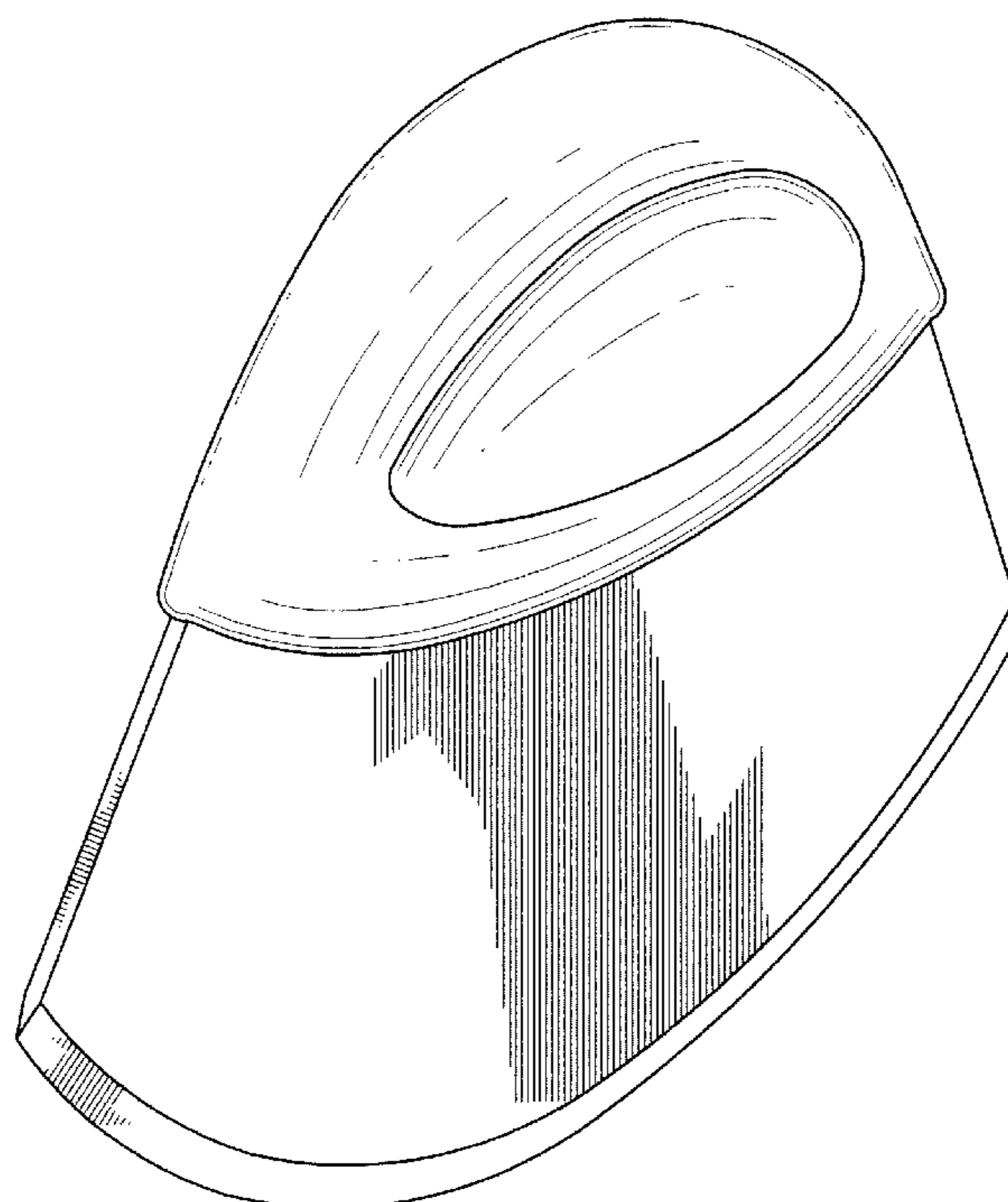
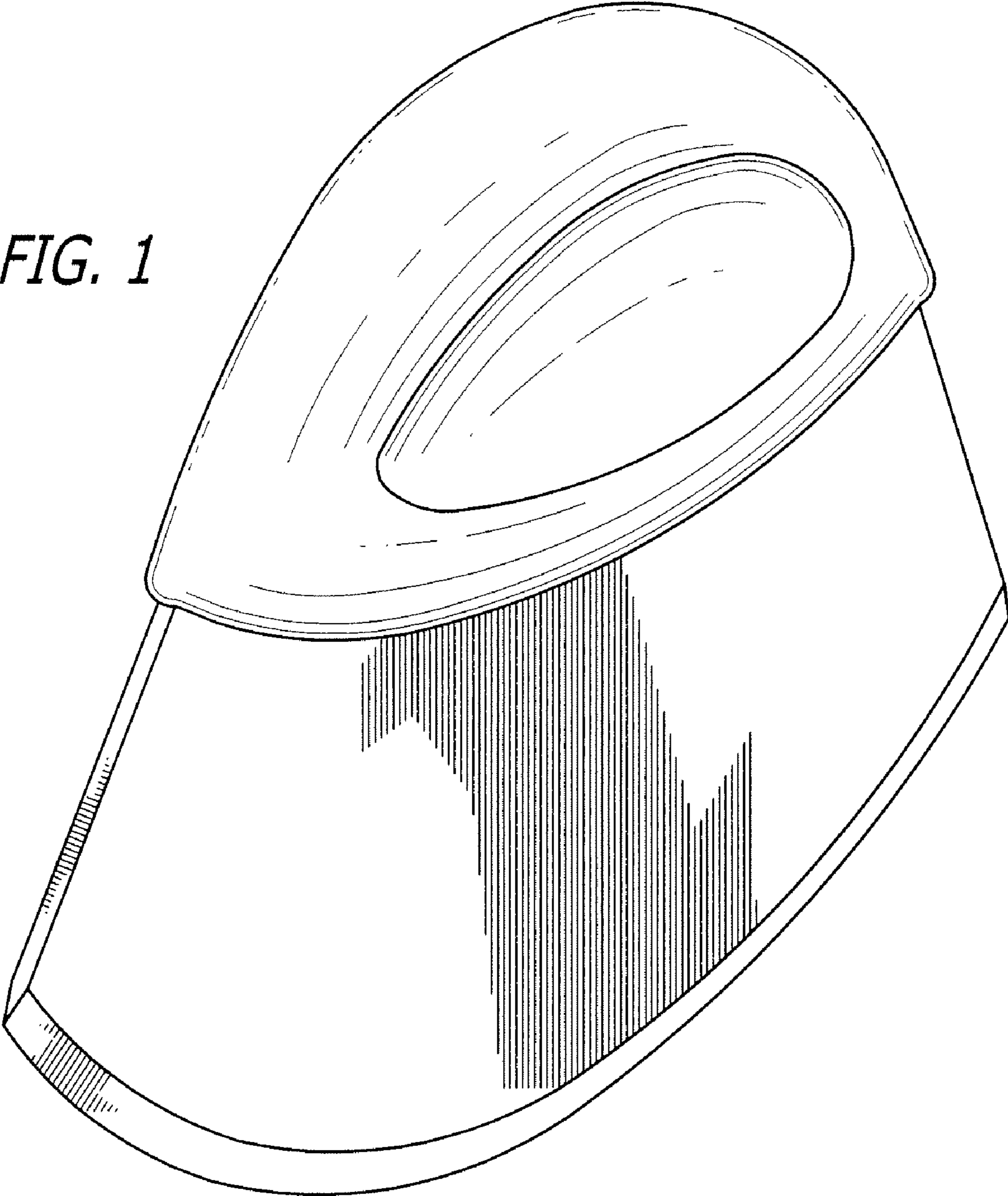


FIG. 1



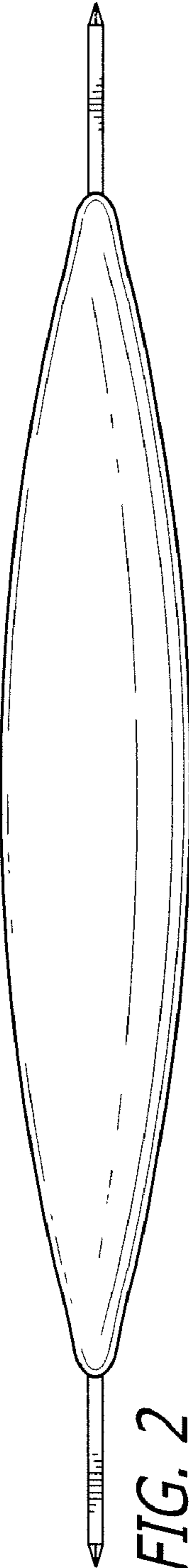


FIG. 2

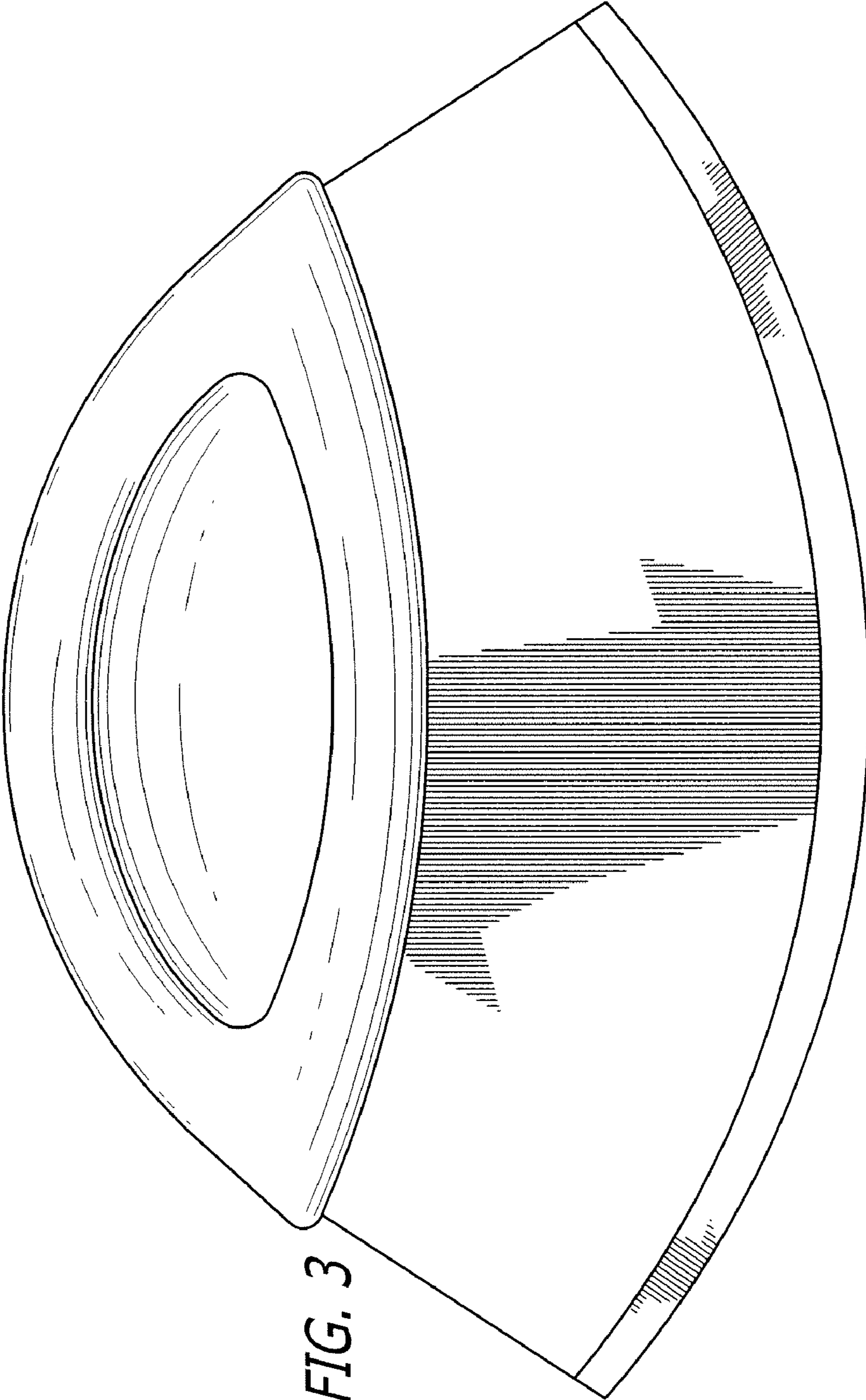


FIG. 3

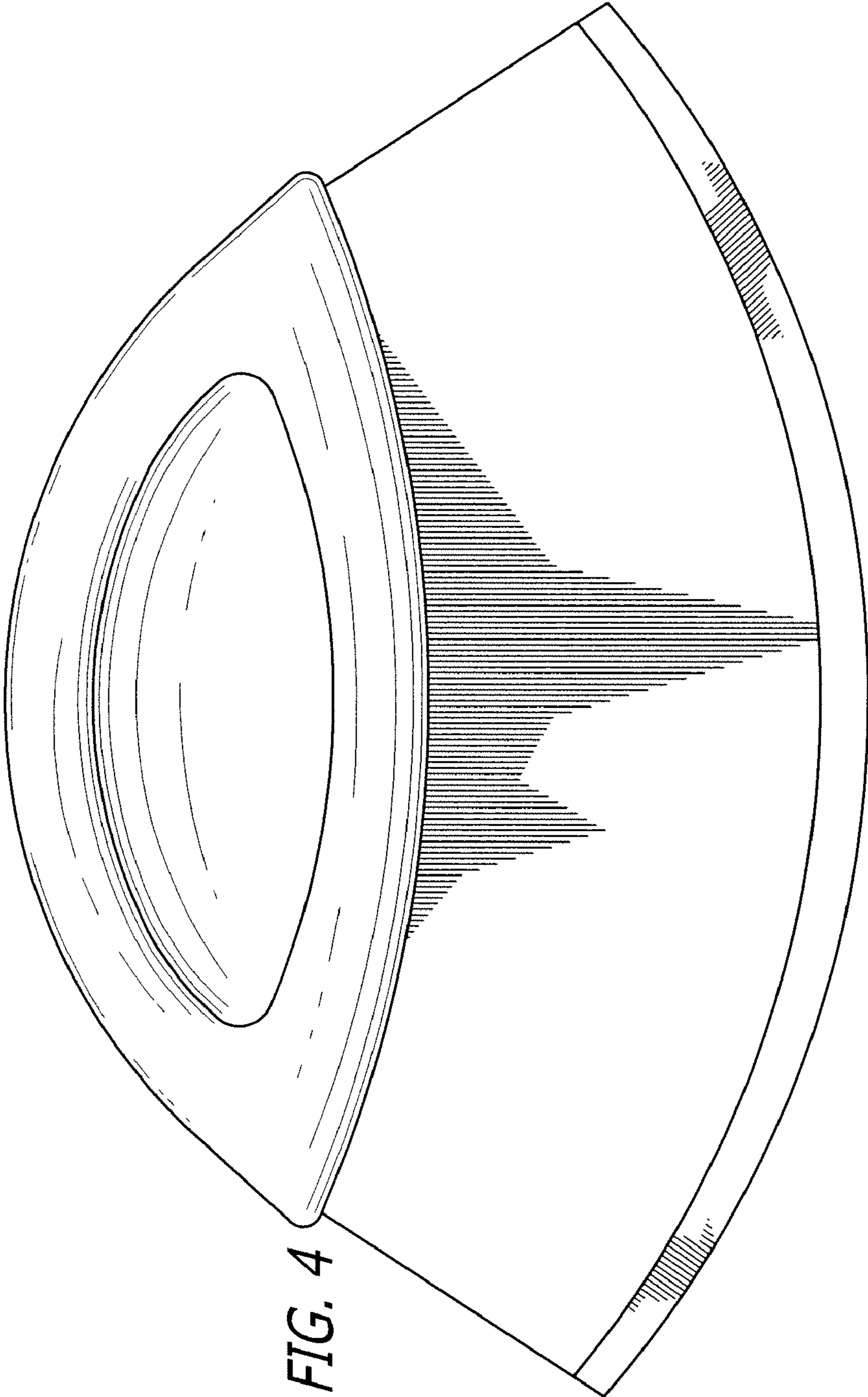


FIG. 4

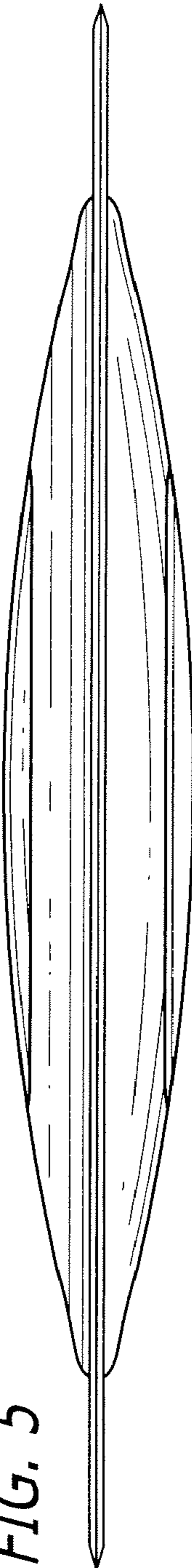


FIG. 5

FIG. 7

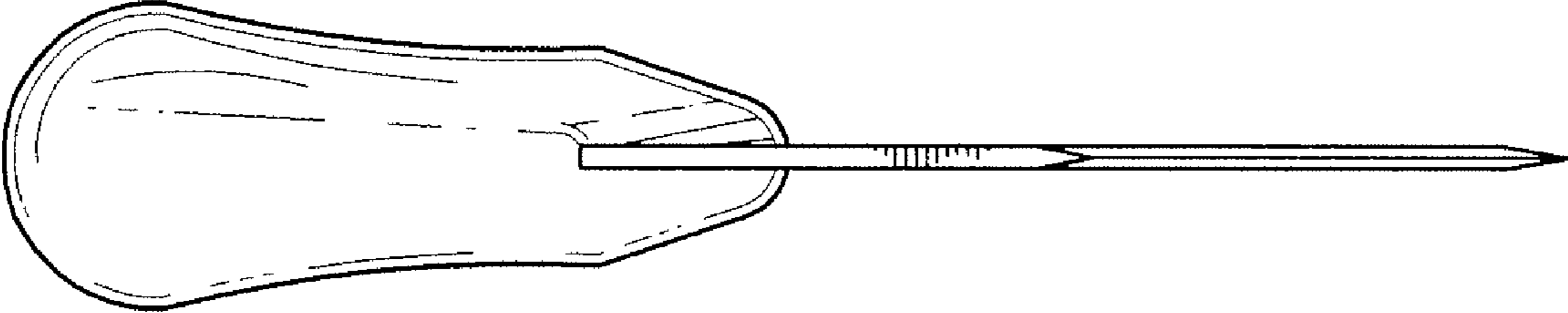


FIG. 6

