



US00D612693S

(12) **United States Design Patent**
Accardo

(10) **Patent No.:** **US D612,693 S**
(45) **Date of Patent:** **** Mar. 30, 2010**

(54) **STAND FOR COOKING CHICKEN OR TURKEY**

(76) Inventor: **Stephen J. Accardo**, 38421 Sweet Magnolia Dr., Prairieville, LA (US) 70769

(**) Term: **14 Years**

(21) Appl. No.: **29/335,968**

(22) Filed: **Apr. 26, 2009**

(51) **LOC (9) Cl.** **07-04**

(52) **U.S. Cl.** **D7/669; D7/409**

(58) **Field of Classification Search** D7/669, D7/409, 368; 99/324, 402, 419-427, 421 A, 99/421 H, 421 HH, 421 V; 211/181; D8/14, D8/16

See application file for complete search history.

(56) **References Cited**

U.S. PATENT DOCUMENTS

D225,156 S	11/1972	Reid	
D231,765 S	6/1974	Kean	
D253,156 S	10/1979	Bengloff	
D270,608 S	9/1983	Spanek	
D280,065 S	8/1985	Pierscinski	
D286,498 S	11/1986	Rosenkrantz	
D286,849 S	11/1986	Sarnoff	
D291,958 S	9/1987	Tullberg	
4,738,192 A *	4/1988	Odom, Jr.	99/351
D311,651 S *	10/1990	Fetty	D7/601
D341,523 S	11/1993	Tiemann	
D343,549 S	1/1994	Marshall, Jr.	
D363,000 S	10/1995	Buff	

D475,574 S	6/2003	Lutz	
D493,066 S	7/2004	Hester	
D496,221 S	9/2004	Hester	
D532,659 S *	11/2006	Britt et al.	D7/669
D535,855 S	1/2007	Adams	
D556,508 S	12/2007	Measom	
D557,071 S	12/2007	Zemel	
D558,521 S	1/2008	Fouse	

* cited by examiner

Primary Examiner—Terry A Wallace
(74) *Attorney, Agent, or Firm*—QuickPatents, Inc.; Kevin Prince

(57) **CLAIM**

I claim the ornamental design for a stand for cooking chicken or turkey, as shown and described.

DESCRIPTION

FIG. 1 is a perspective view of a stands for cooking chicken or turkey, showing my new design;

FIG. 2 is a front elevational view thereof;

FIG. 3 is a rear elevational view thereof;

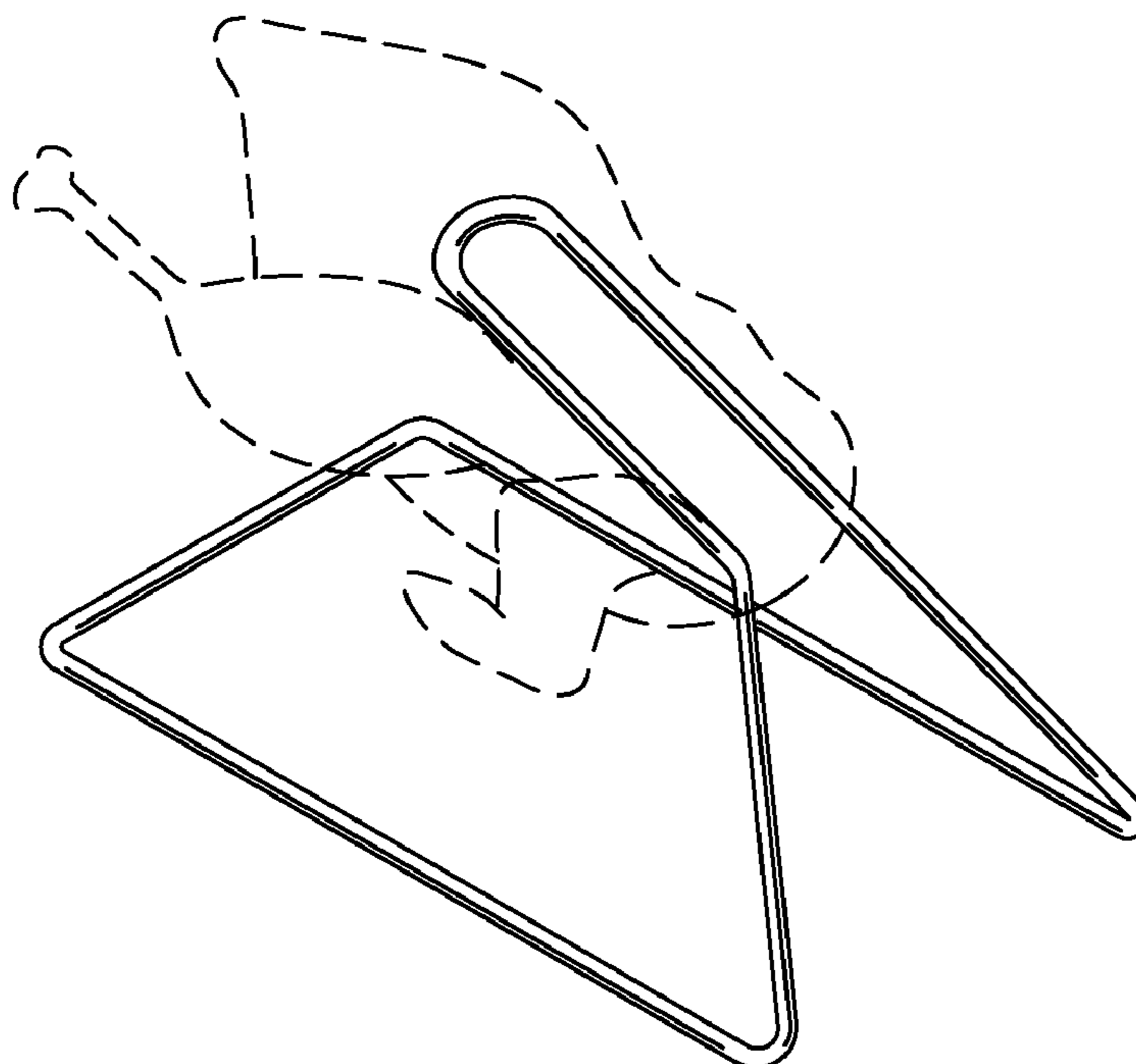
FIG. 4 is a left-side elevational view thereof, the right-side elevational view being a mirror image thereof;

FIG. 5 is a top plan view thereof; and,

FIG. 6 is a bottom plan view thereof.

The broken lines showing a chicken in FIG. 1 are included for the purpose of illustrating the invention in use, and form no part of the claimed design.

1 Claim, 2 Drawing Sheets



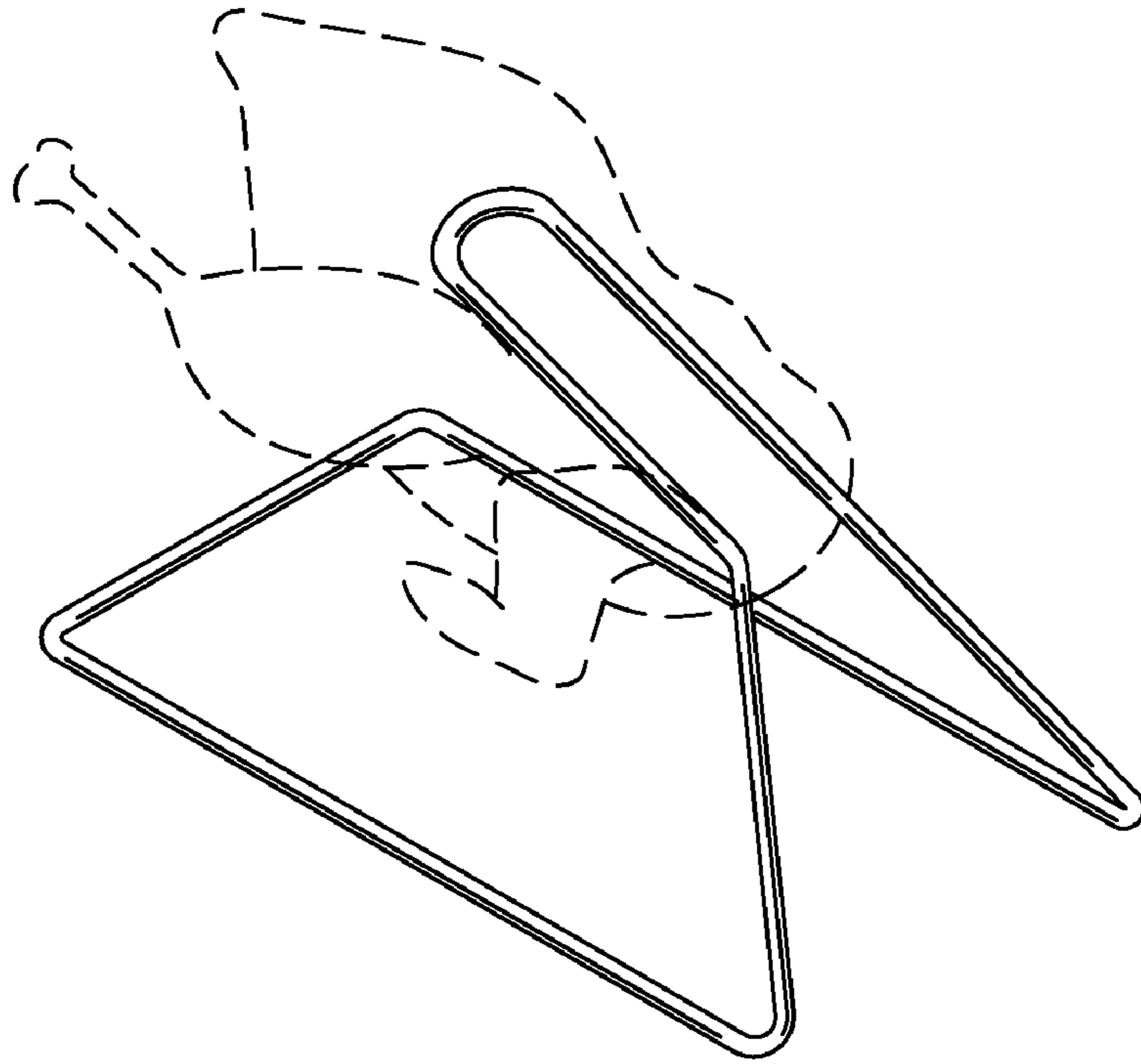


FIG. 1

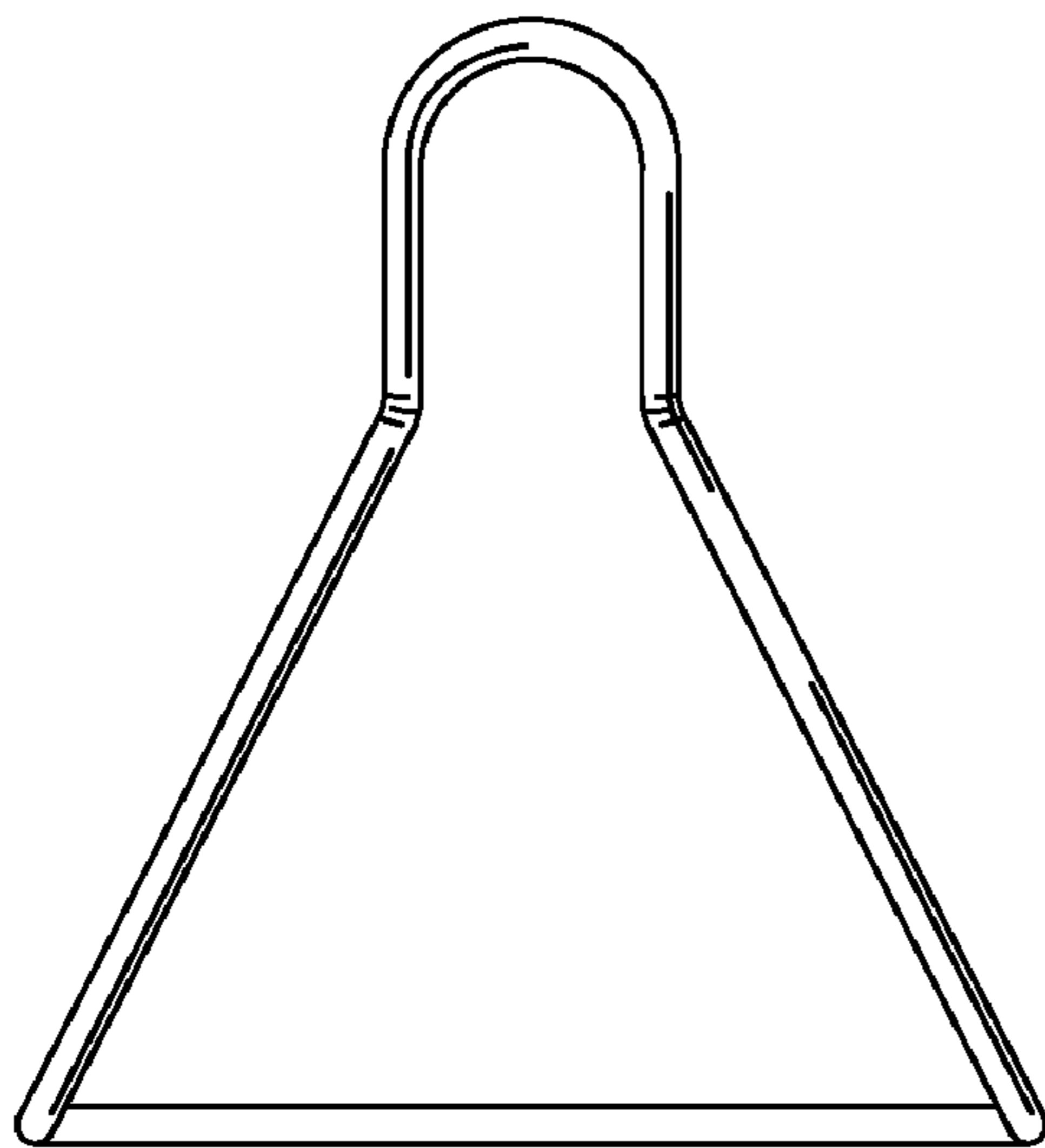


FIG. 2

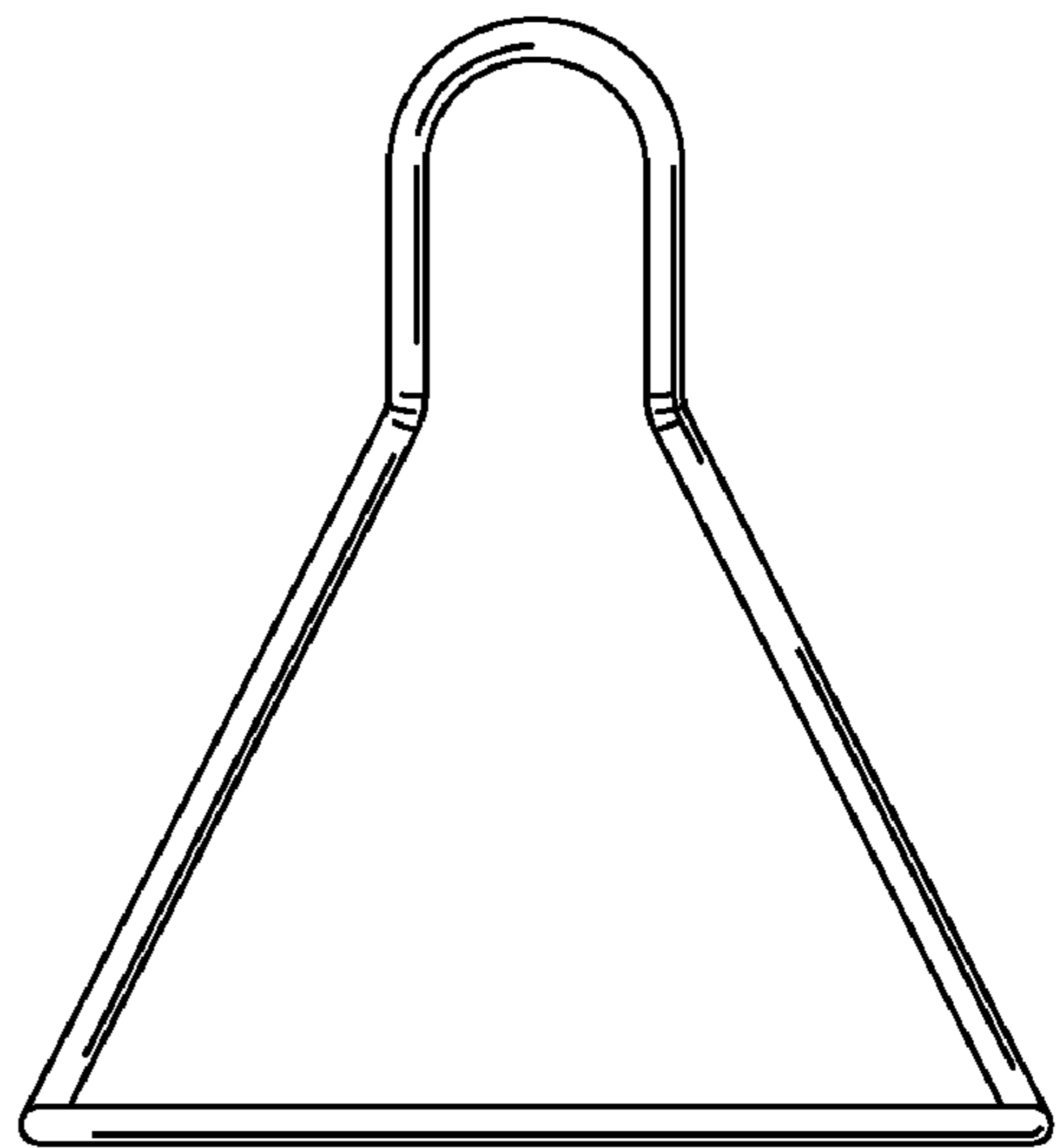


FIG. 3

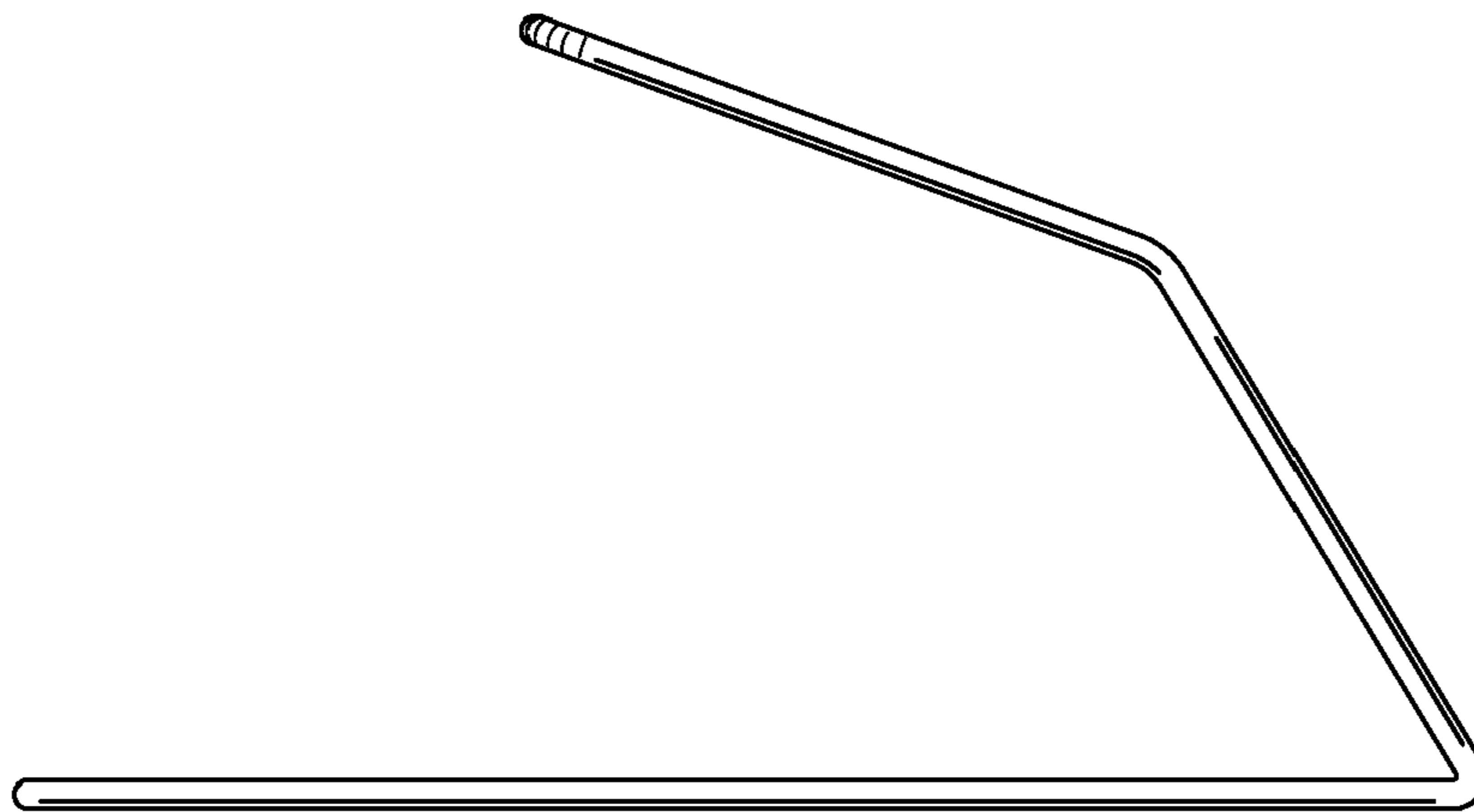


FIG. 4

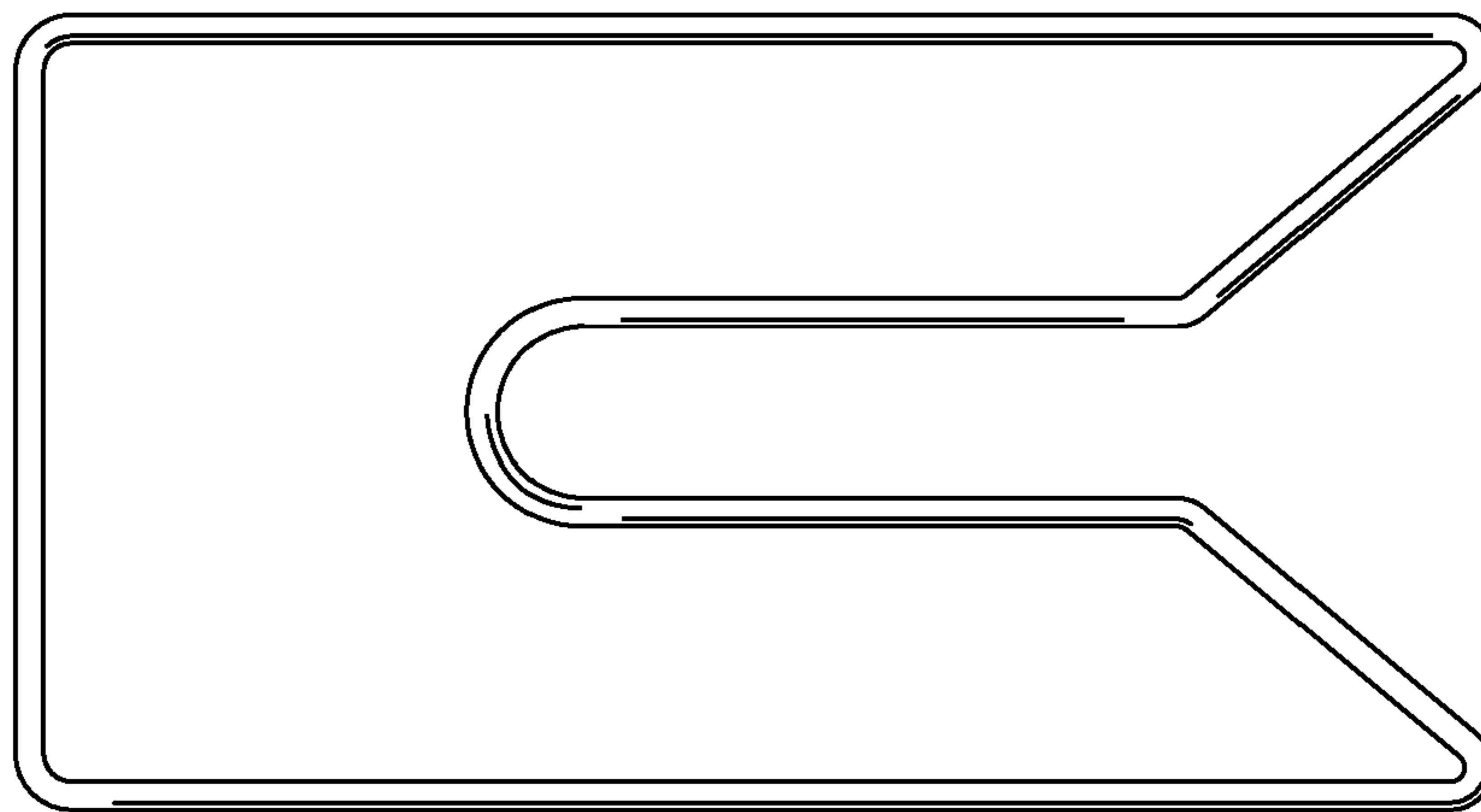


FIG. 5

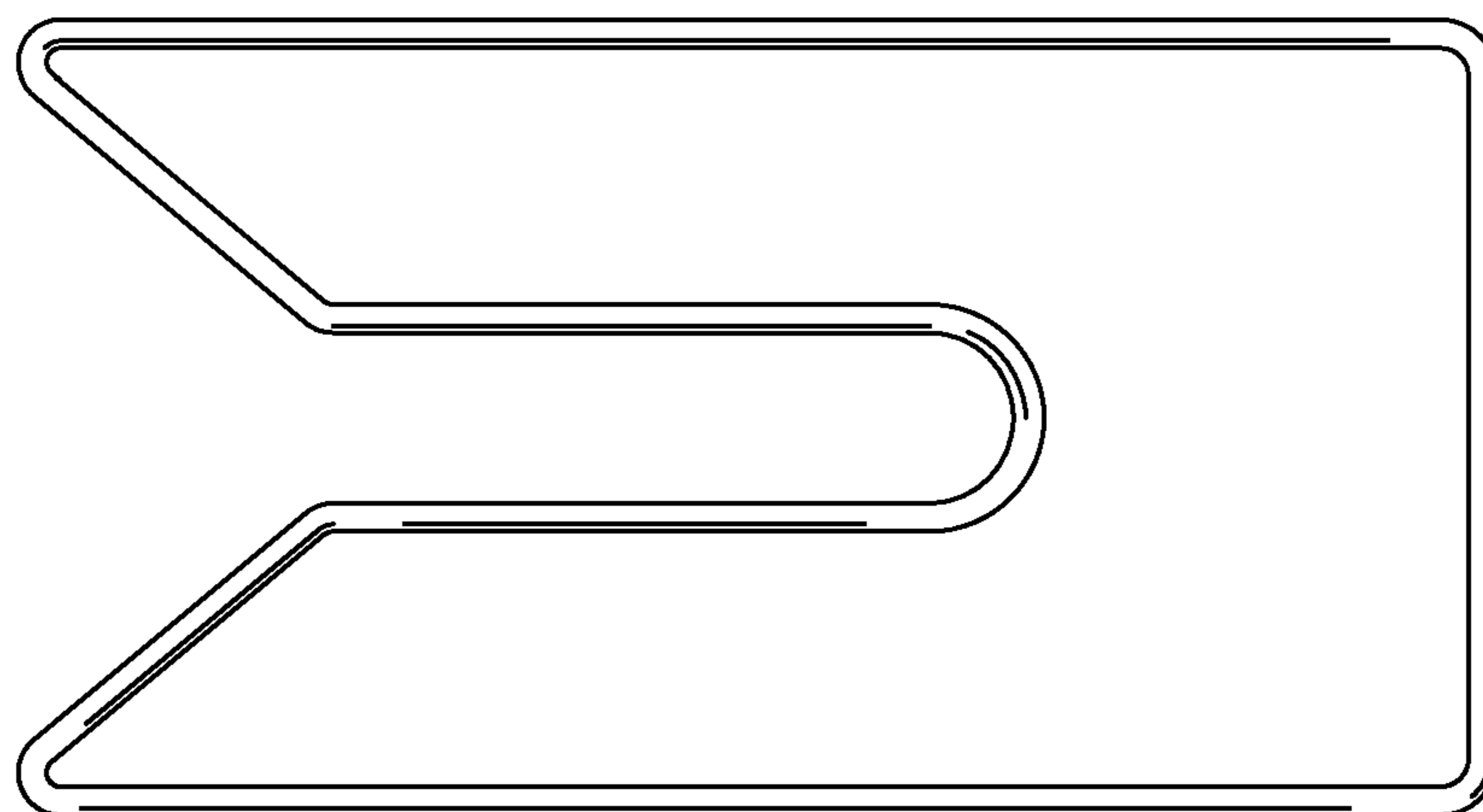


FIG. 6