



US00D612690S

(12) **United States Design Patent**
Hilger

(10) **Patent No.:** **US D612,690 S**
(45) **Date of Patent:** **** Mar. 30, 2010**

(54) **PLATE**

(75) Inventor: **Fred Hilger**, Müllendorf (LU)

(73) Assignee: **Villeroy & Boch S.a.r.l.**, Luxembourg (LU)

(**) Term: **14 Years**

(21) Appl. No.: **29/321,911**

(22) Filed: **Jul. 25, 2008**

(51) **LOC (9) Cl.** **07-02**

(52) **U.S. Cl.** **D7/554.4**

(58) **Field of Classification Search** D7/550.1,
D7/553.1-553.5, 555, 624.1; 426/420, 132;
425/510; 220/4.25, 23.83; 248/154
See application file for complete search history.

(56) **References Cited**

U.S. PATENT DOCUMENTS

D122,774 S *	10/1940	Frederick	D7/553.4
D162,445 S *	3/1951	Pastory	D7/555
D236,577 S *	9/1975	Press	D7/624.1
3,917,106 A *	11/1975	Bargetzi	220/23.83
D270,511 S *	9/1983	Friedman	D7/624.1
D289,247 S *	4/1987	Wang	D7/555
D300,496 S *	4/1989	Childress	D7/553.4

D316,010 S *	4/1991	Guy	D7/553.3
D324,192 S *	2/1992	Waltel, Jr.	D7/553.4
D333,237 S *	2/1993	Plaut	D7/553.2
D407,948 S *	4/1999	Indekeu	D7/553.3
D488,965 S *	4/2004	Schuler	D7/553.4
D505,833 S *	6/2005	Ahearn	D7/553.4

* cited by examiner

Primary Examiner—Charles A Rademaker

(74) *Attorney, Agent, or Firm*—Cantor Colburn LLP

(57) **CLAIM**

I claim, the ornamental design for a plate, as shown and described.

DESCRIPTION

FIG. 1 is a front perspective view of a plate showing my new design;

FIG. 2 is a front elevation view thereof;

FIG. 3 is a rear elevation view thereof;

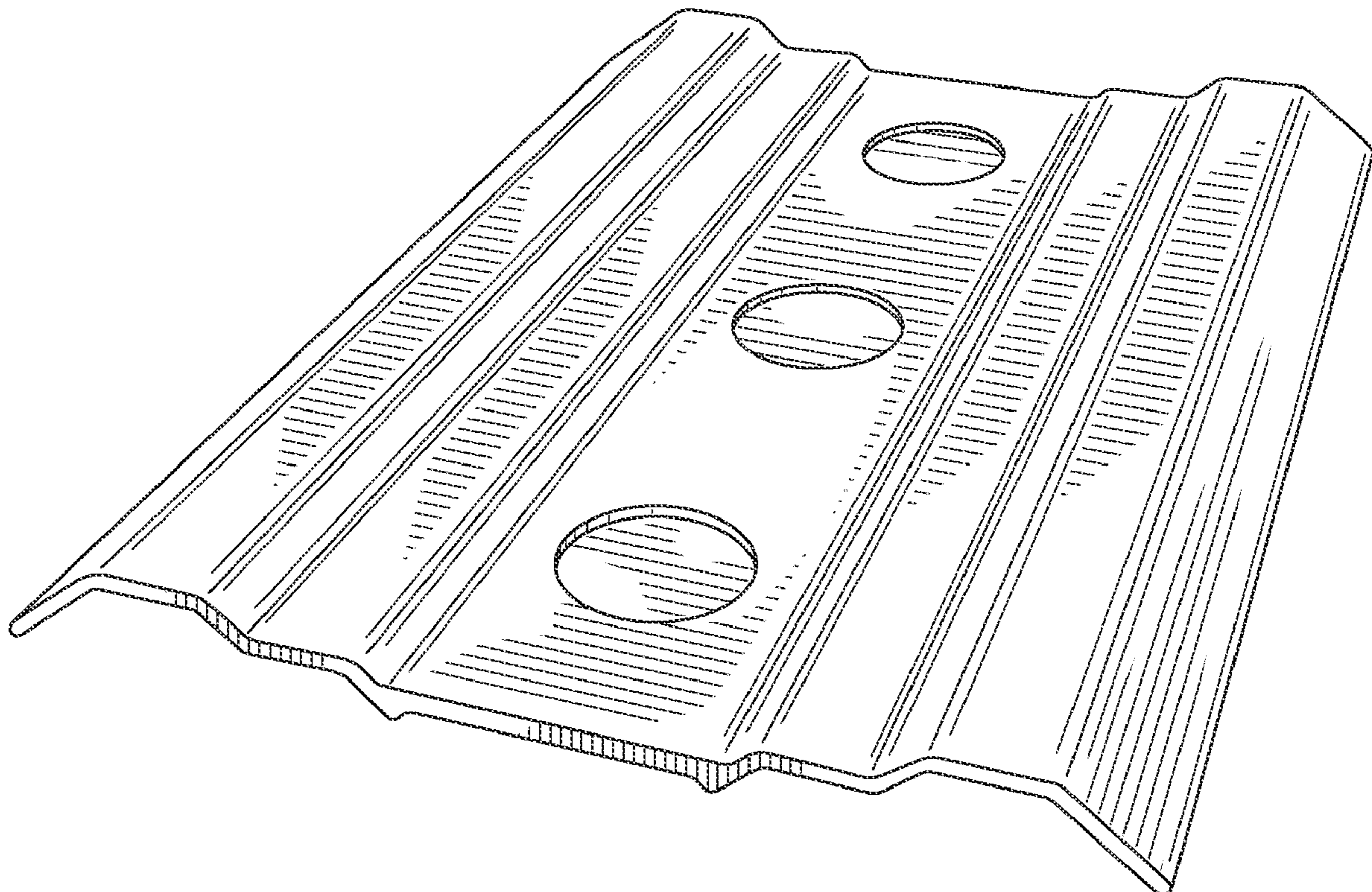
FIG. 4 is first side elevation view thereof;

FIG. 5 is a second side elevation view thereof;

FIG. 6 is a top plan view thereof; and,

FIG. 7 is a bottom plan view thereof.

1 Claim, 5 Drawing Sheets



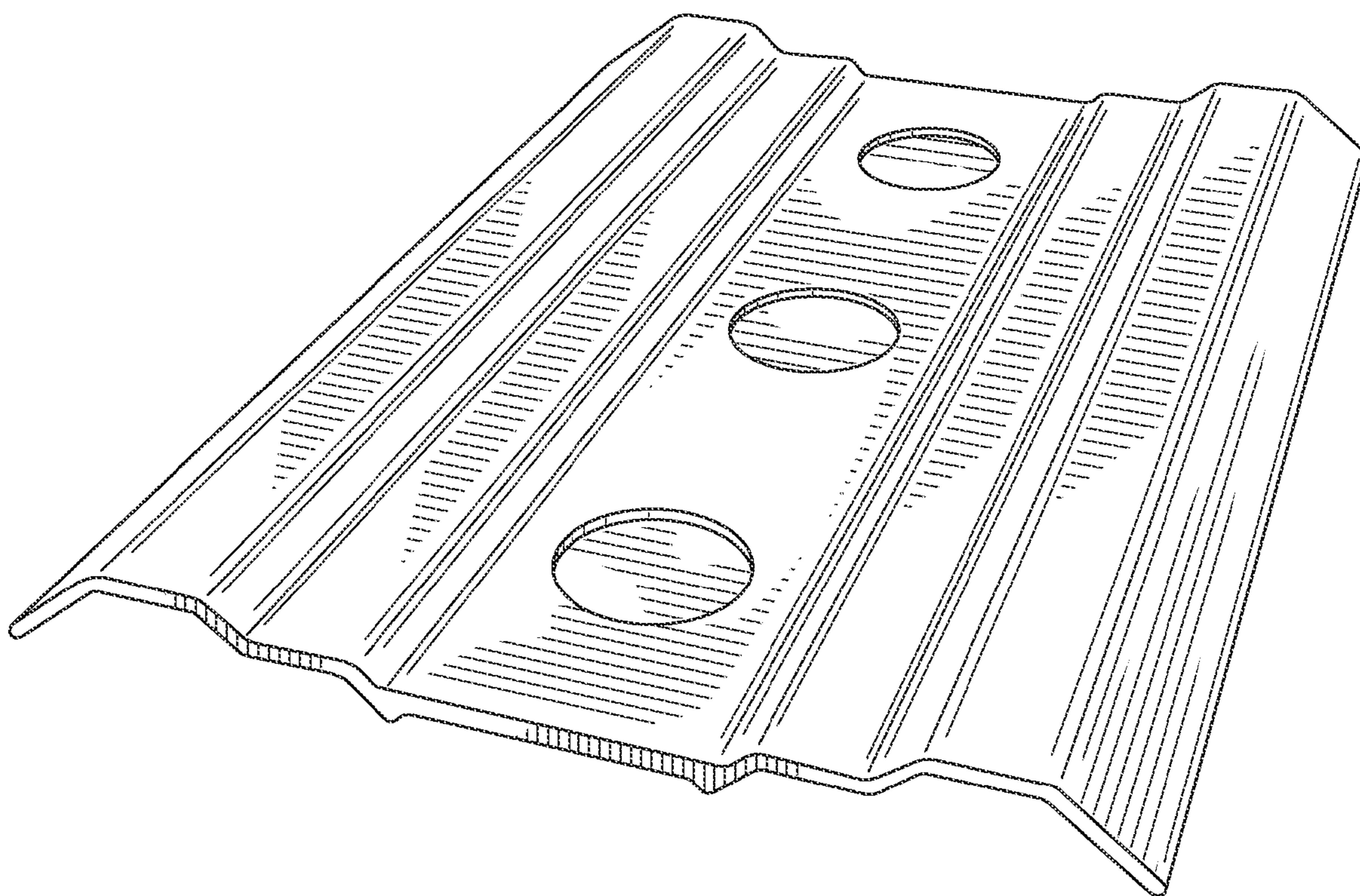


FIG. 1



FIG. 2

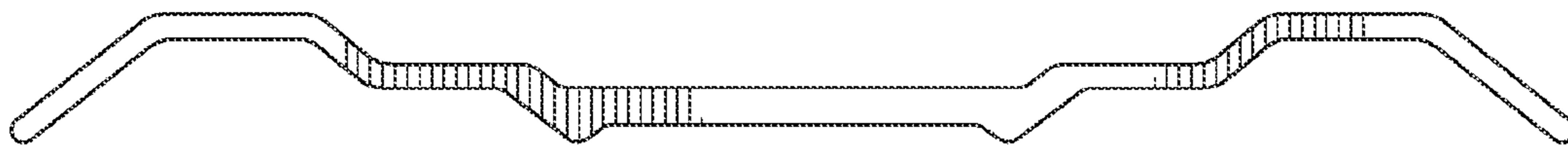


FIG. 3

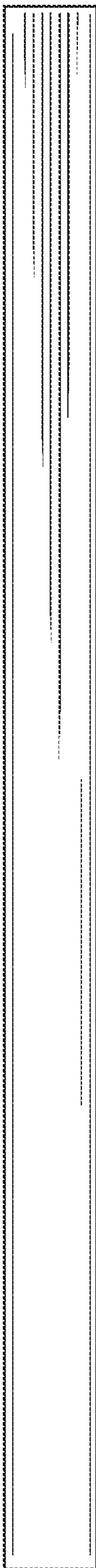


FIG. 4

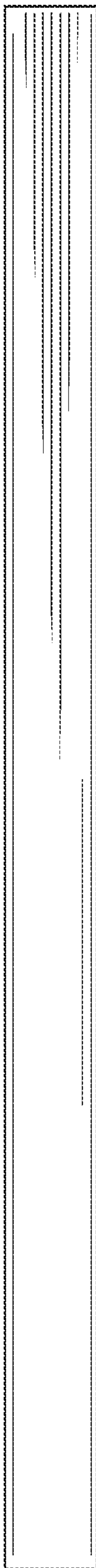


FIG. 5

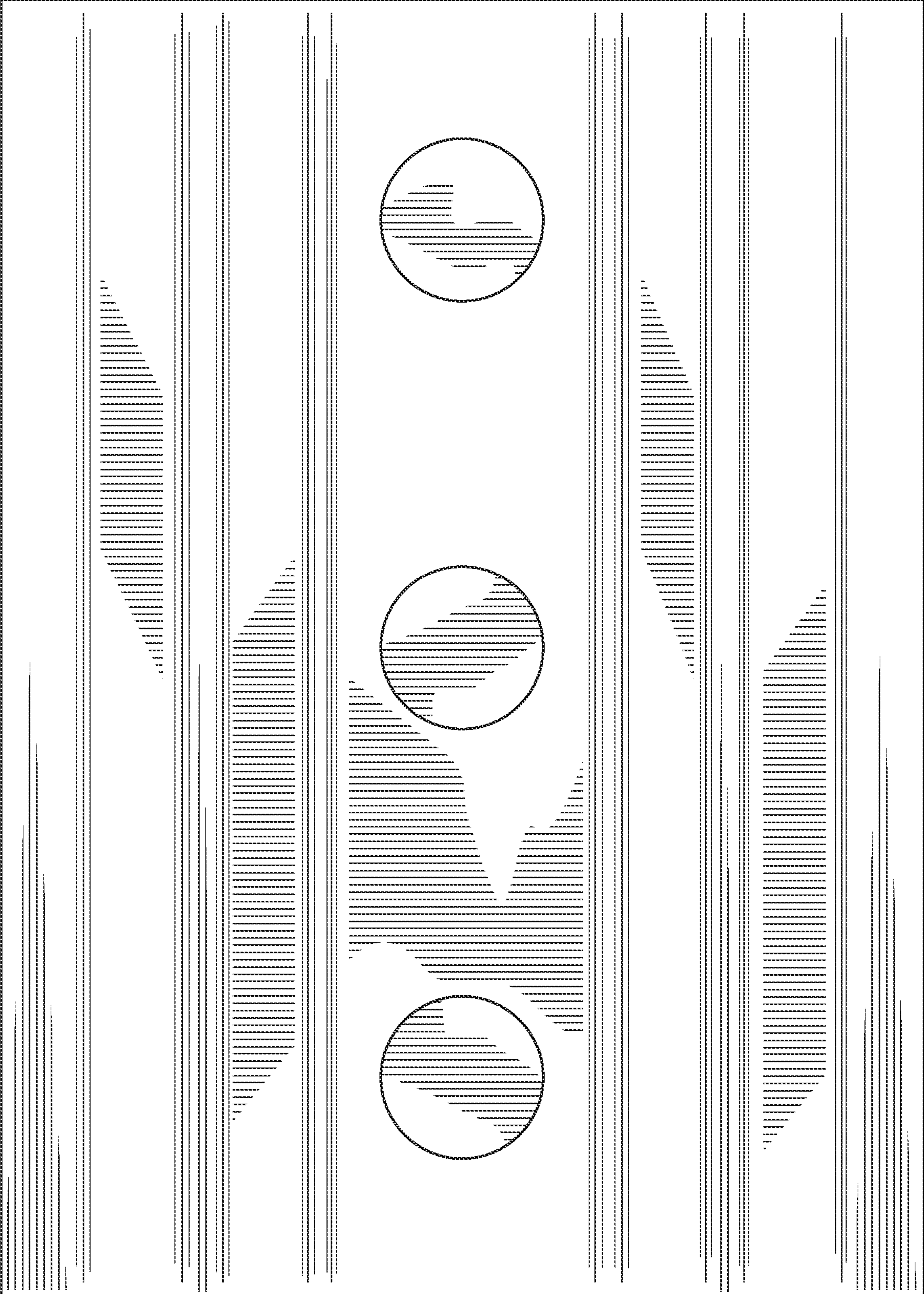


FIG. 6

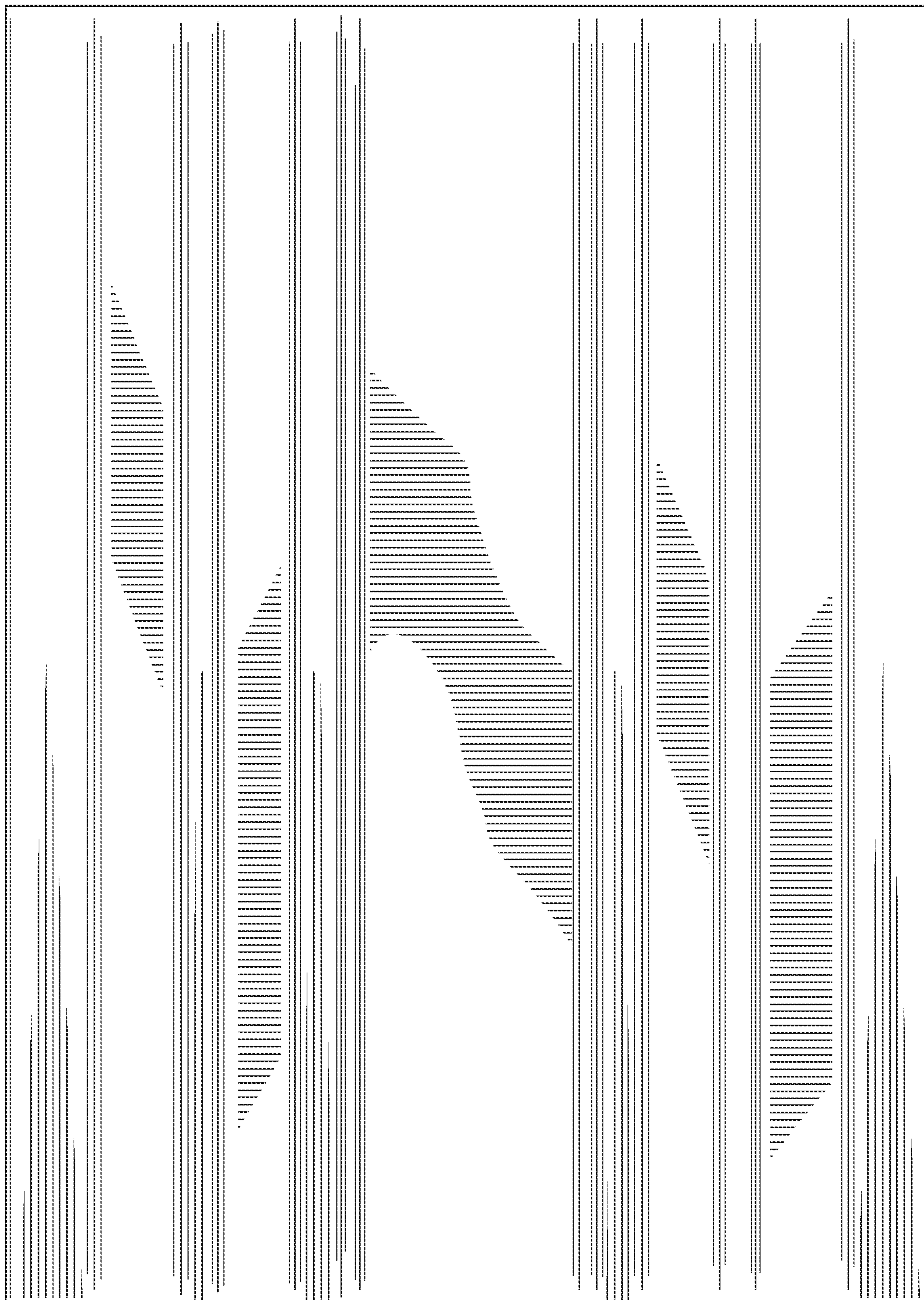


FIG. 7

UNITED STATES PATENT AND TRADEMARK OFFICE
CERTIFICATE OF CORRECTION

PATENT NO. : Des. 612,690 S
APPLICATION NO. : 29/321911
DATED : March 30, 2010
INVENTOR(S) : Fred Hilger

Page 1 of 1

It is certified that error appears in the above-identified patent and that said Letters Patent is hereby corrected as shown below:

Title Page item (30) insert

-- Priority to European Community Design No. 000864871-001 filed January 25, 2008;
European Community Design No. 000864871-002 filed January 25, 2008; and European Community
Design No. 000864871-003 filed January 25, 2008. Currently, the patent does not indicate any of the
priority information. --

Signed and Sealed this

Twelfth Day of October, 2010

A handwritten signature in black ink that reads "David J. Kappos". The signature is written in a cursive, flowing style.

David J. Kappos
Director of the United States Patent and Trademark Office