



US00D612686S

(12) **United States Design Patent**  
**Busalt et al.**

(10) **Patent No.:** **US D612,686 S**  
(45) **Date of Patent:** **\*\* Mar. 30, 2010**

(54) **OVEN CONTROL PANEL**

(57) **CLAIM**

(75) Inventors: **Gerhard Busalt**, Altenmarkt/Alz (DE);  
**Joachim Gruetzke**, New Bern, NC  
(US); **Graham Sadtler**, New Bern, NC  
(US); **Guenter Varnhorn**, Braunschweig  
(DE)

The ornamental design for an oven control panel, as shown and described.

(73) Assignee: **BSH Home Appliances Corporation**,  
Huntington Beach, CA (US)

**DESCRIPTION**

(\*\*) Term: **14 Years**

FIG. 1 is a perspective view of an oven control panel showing a first embodiment of our ornamental design;

(21) Appl. No.: **29/271,262**

FIG. 2 is a front view thereof;

(22) Filed: **Jan. 12, 2007**

FIG. 3 is an enlarged view of the oven control panel shown in FIG. 1, without unclaimed surrounding environment;

(51) **LOC (9) Cl.** ..... **07-02**

(52) **U.S. Cl.** ..... **D7/406**

(58) **Field of Classification Search** ..... D22/140-141,  
D22/137-138; D7/310-315, 319, 241, 339-341,  
D7/346-351, 402, 405-406; 126/21 A, 38 B,  
126/39 R; 219/391-392, 444-447, 449-450  
See application file for complete search history.

FIG. 4 is an enlarged view of the oven control panel shown in FIG. 2, without unclaimed surrounding environment;

FIG. 5 is a front view of an oven control panel showing a second embodiment of our ornamental design;

FIG. 6 is a front view of an oven control panel showing a third embodiment of our ornamental design;

FIG. 7 is a front view of an oven control panel showing a fourth embodiment of our ornamental design; and

FIG. 8 is an enlarged front view of FIG. 5;

FIG. 9 is an enlarged front view of FIG. 6; and,

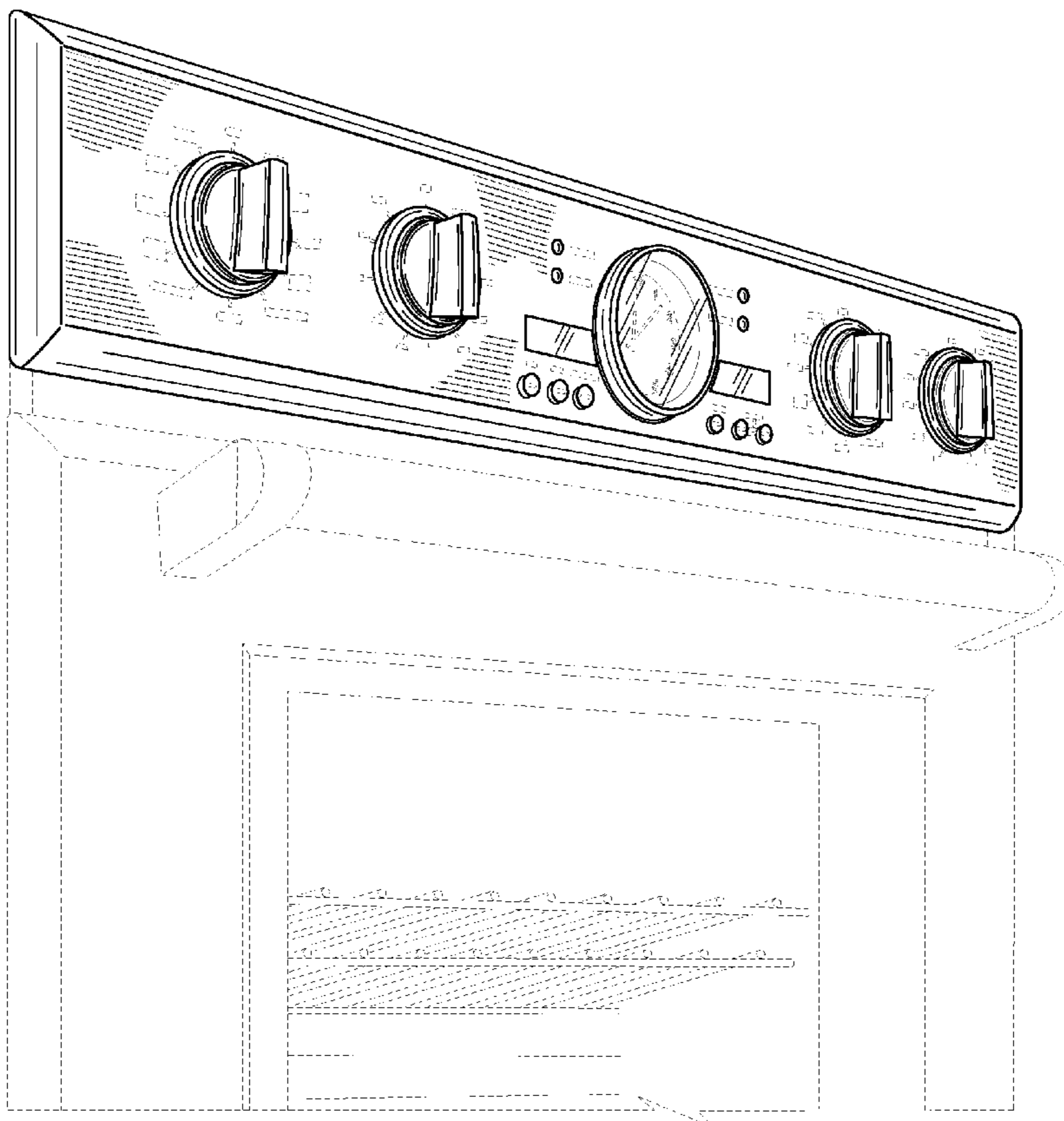
FIG. 10 is an enlarged front view of FIG. 7.

Where included, broken lines showing environment or structure are for illustrative purposes only and form no part of the claimed design.

*Primary Examiner*—Catherine R Oliver

(74) *Attorney, Agent, or Firm*—James E. Howard; Andre Pallapies

**1 Claim, 8 Drawing Sheets**



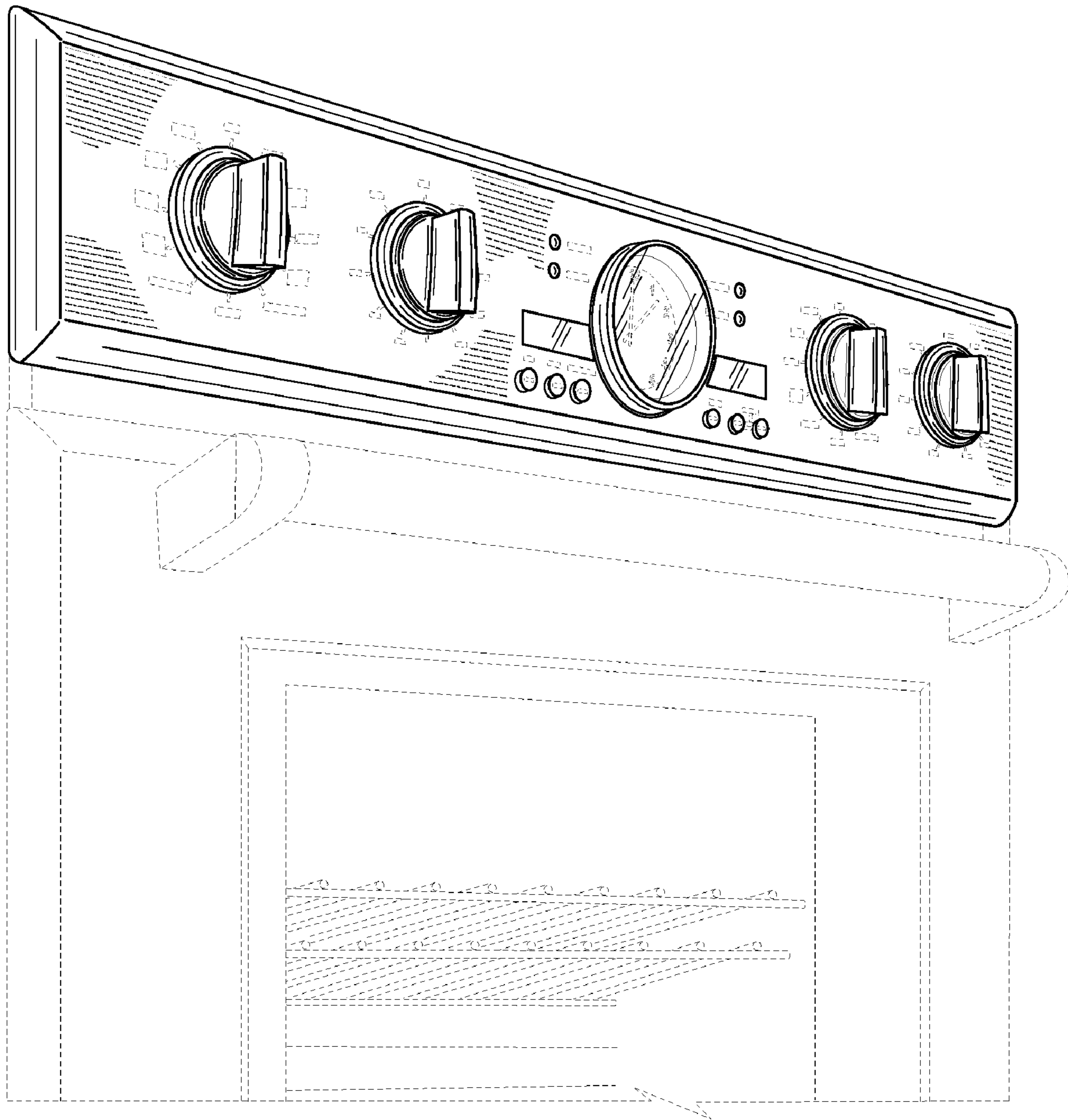


Fig. 1

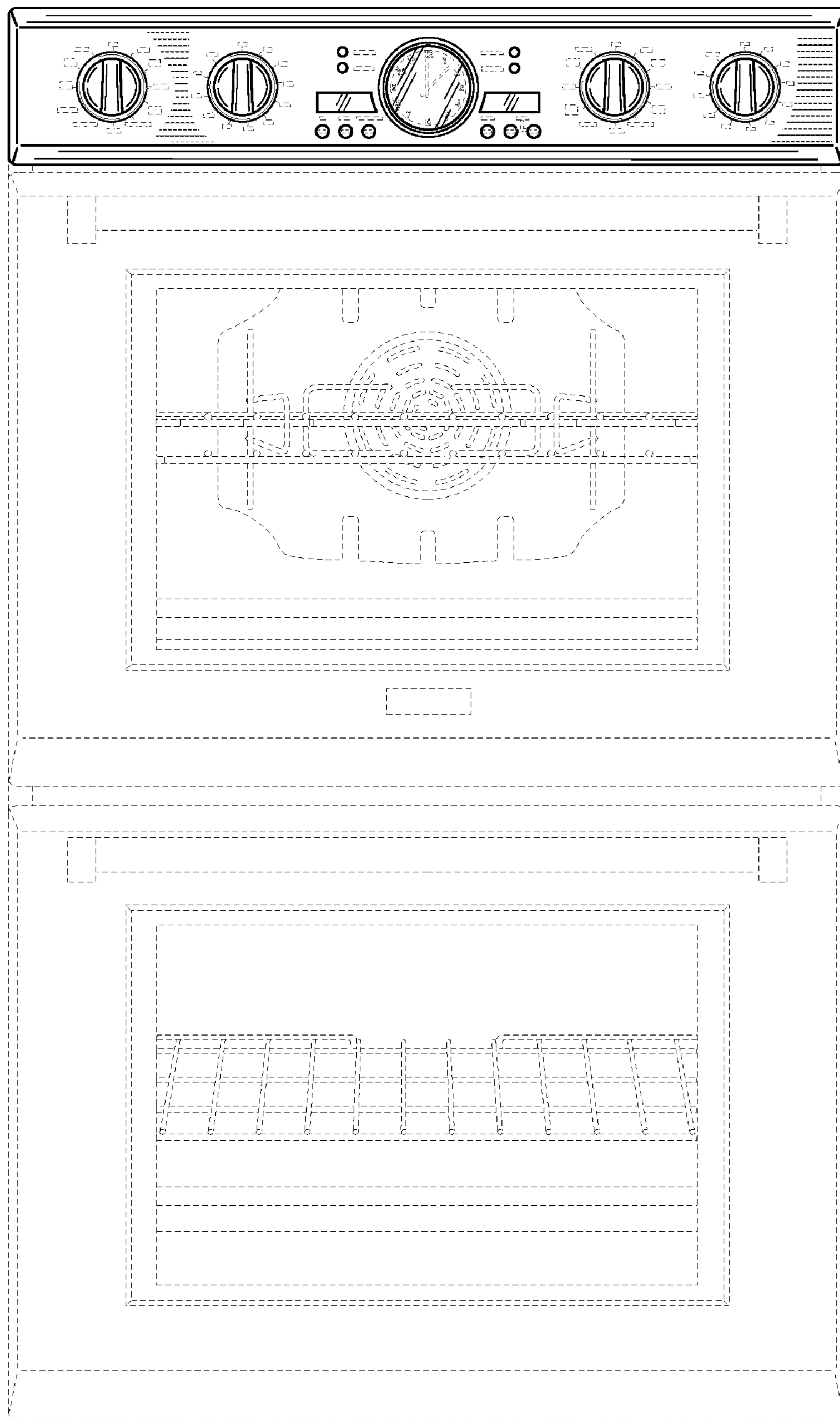


Fig. 2

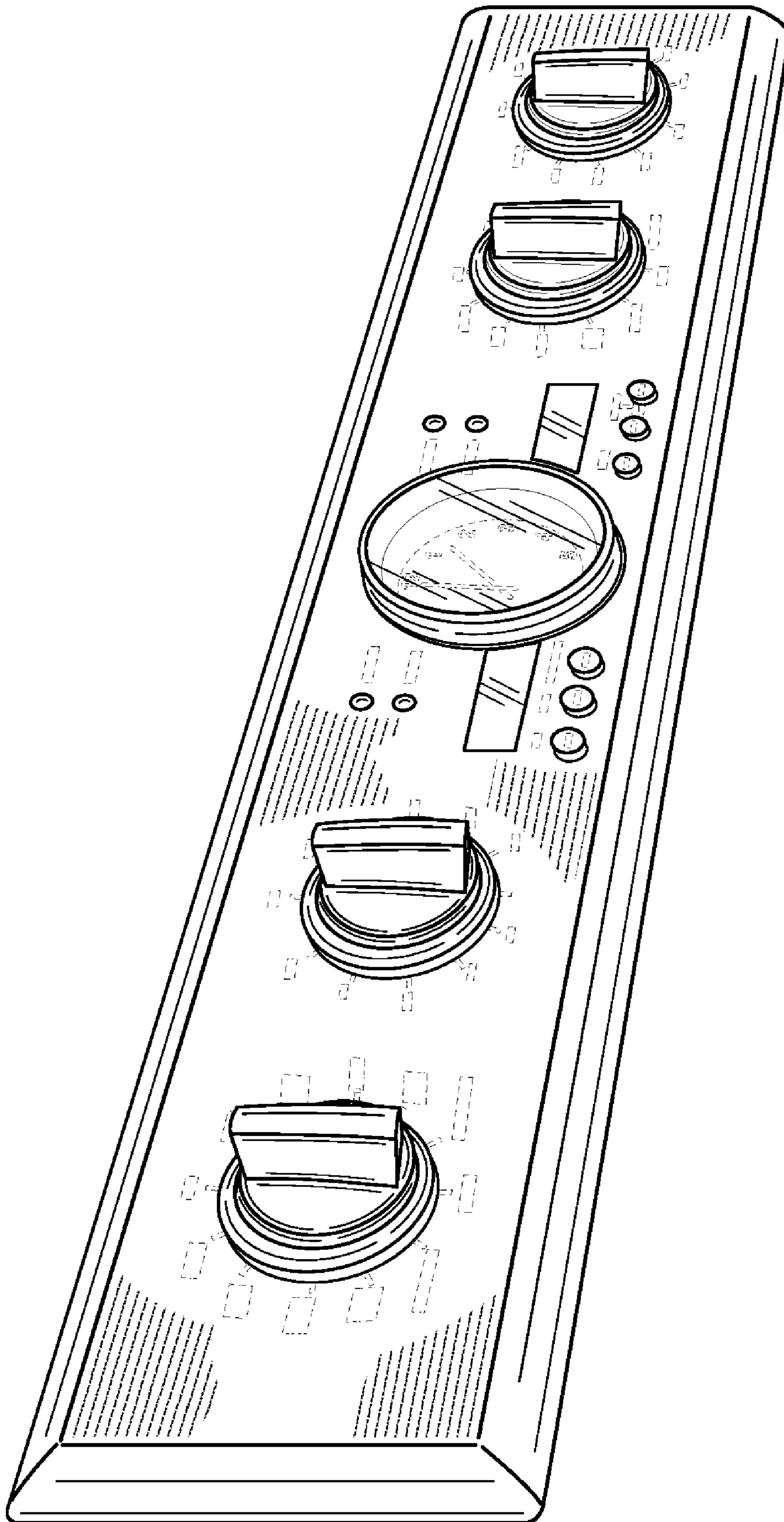


Fig. 3

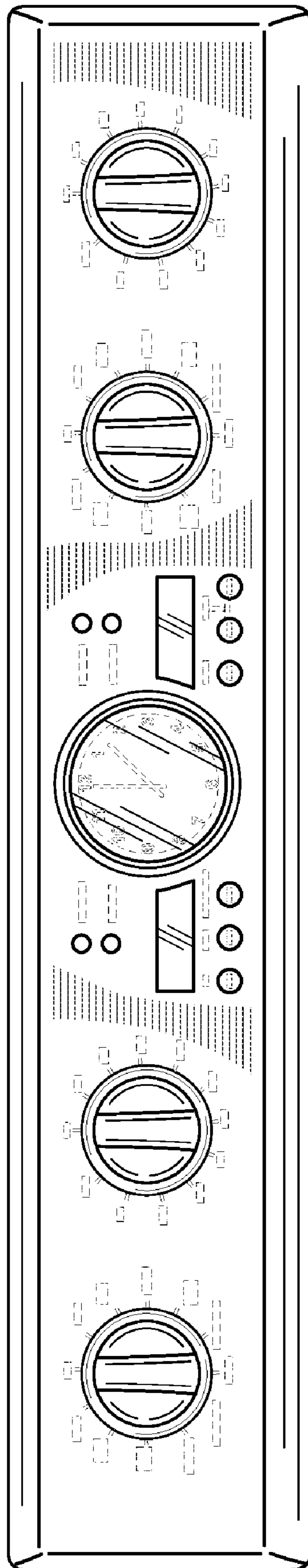


Fig. 4

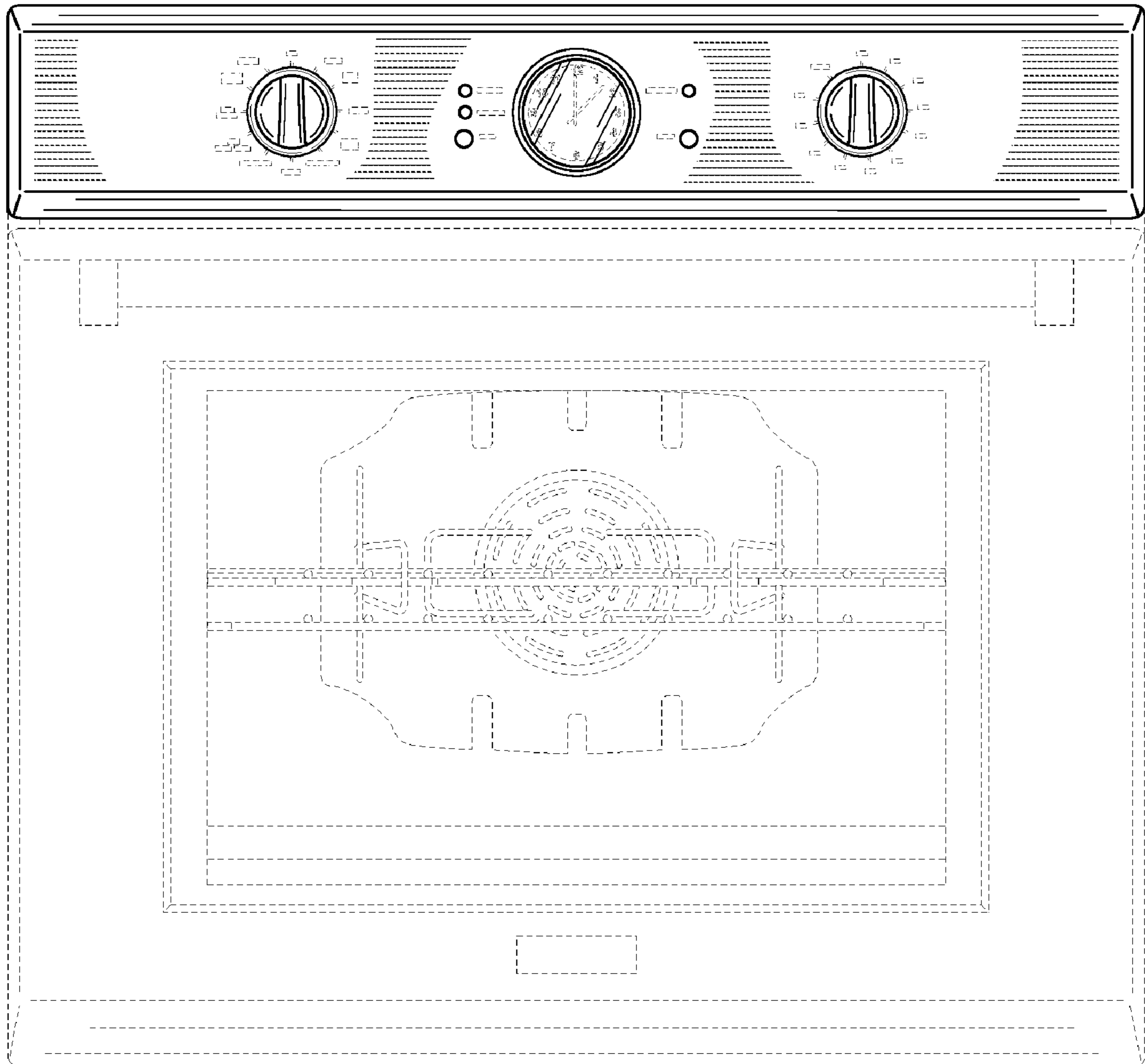


Fig. 5

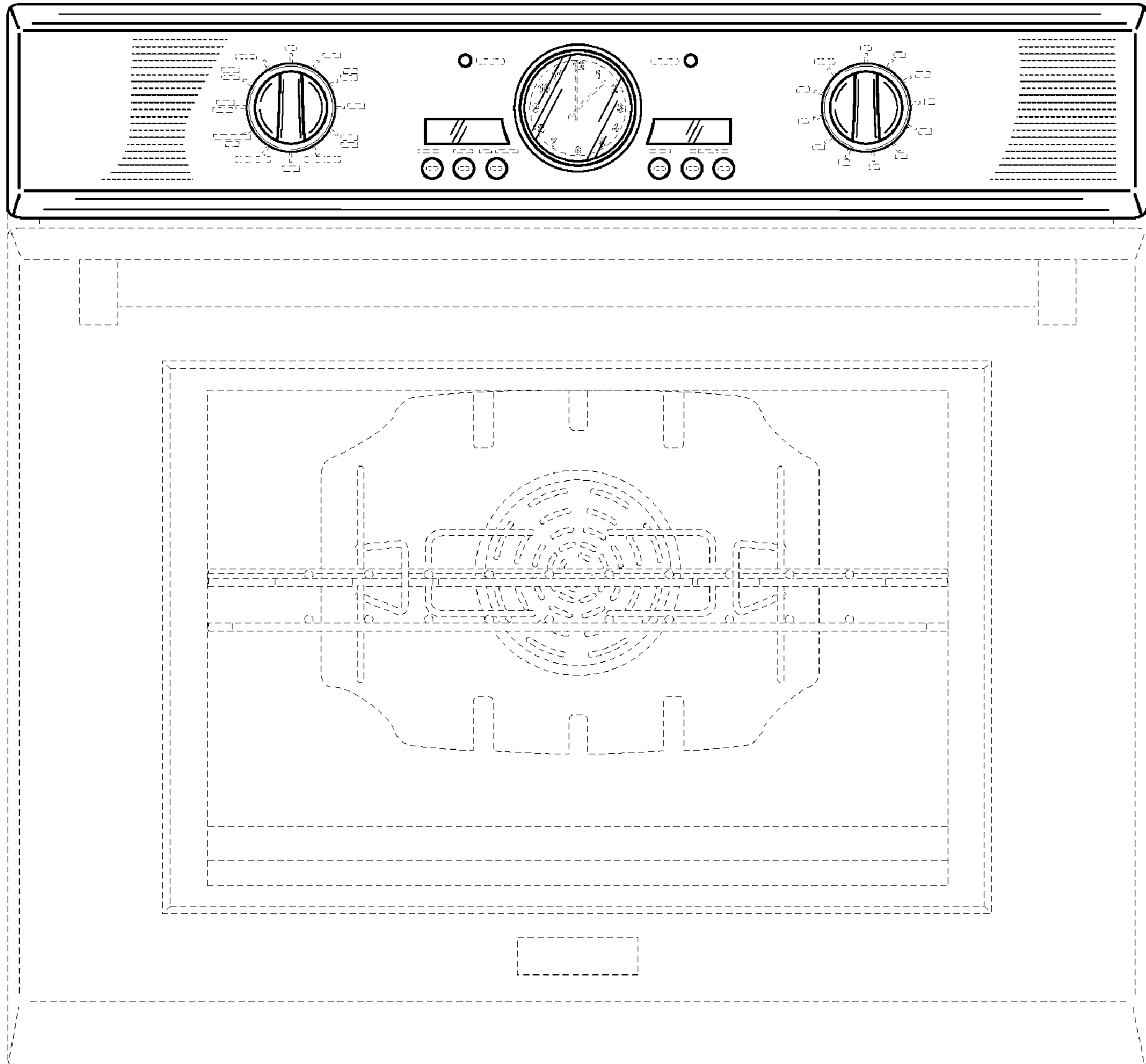


Fig. 6

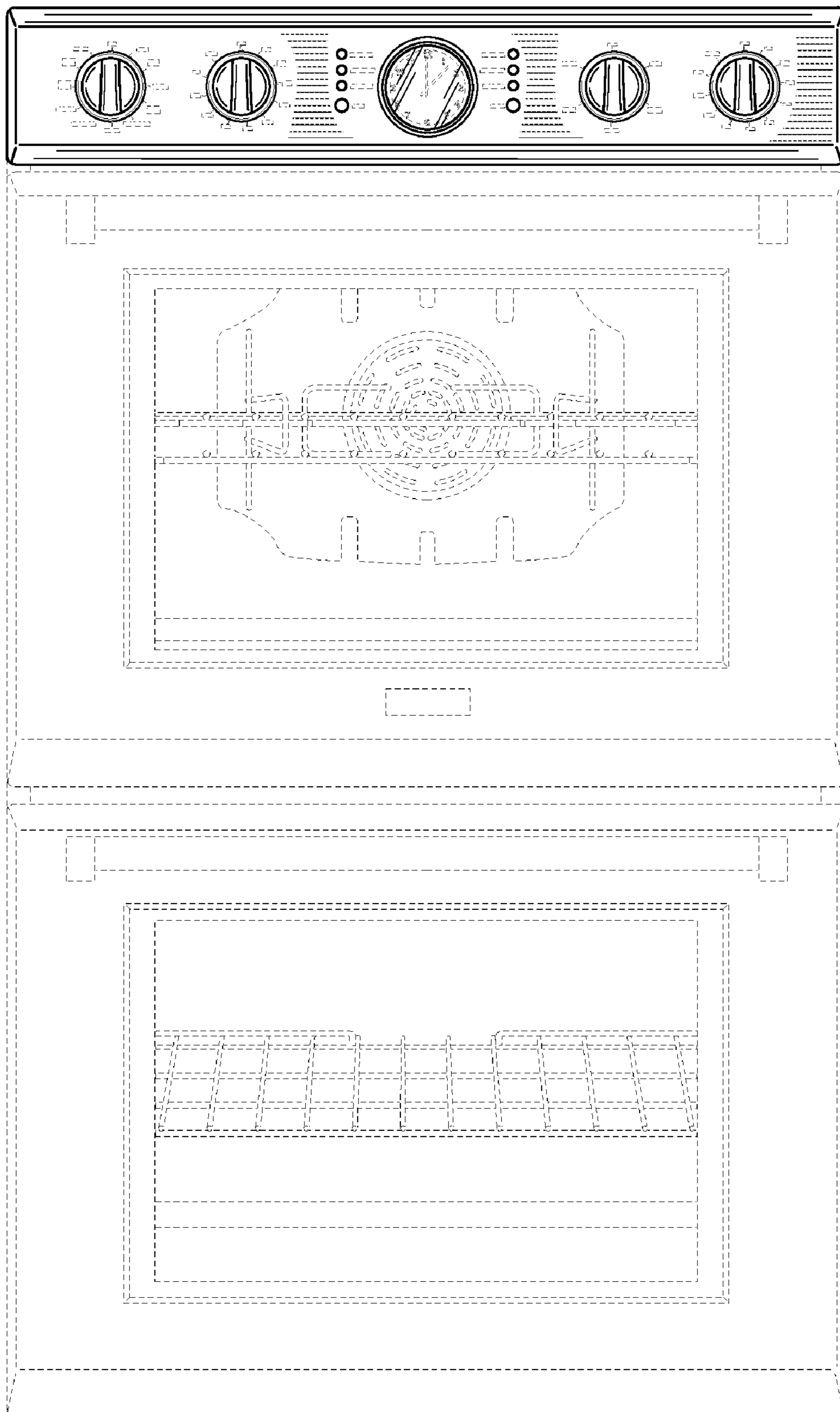


Fig. 7



Fig. 8

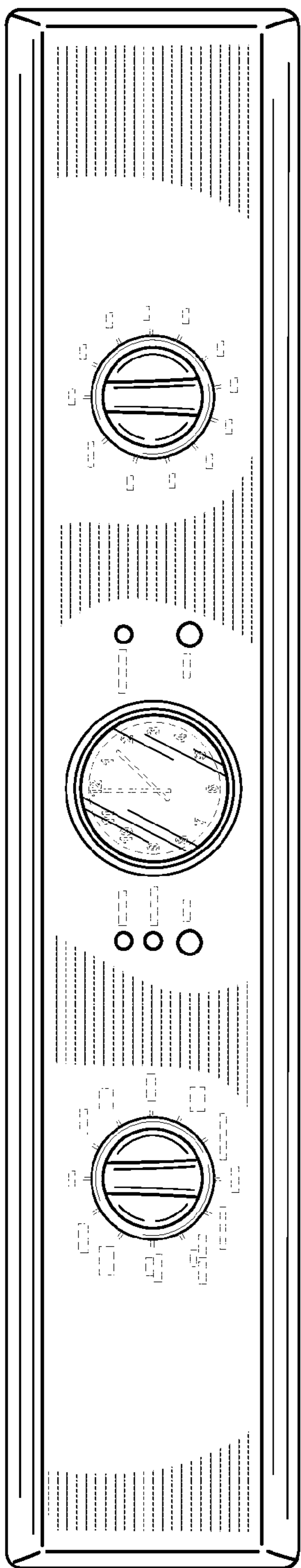


Fig. 9

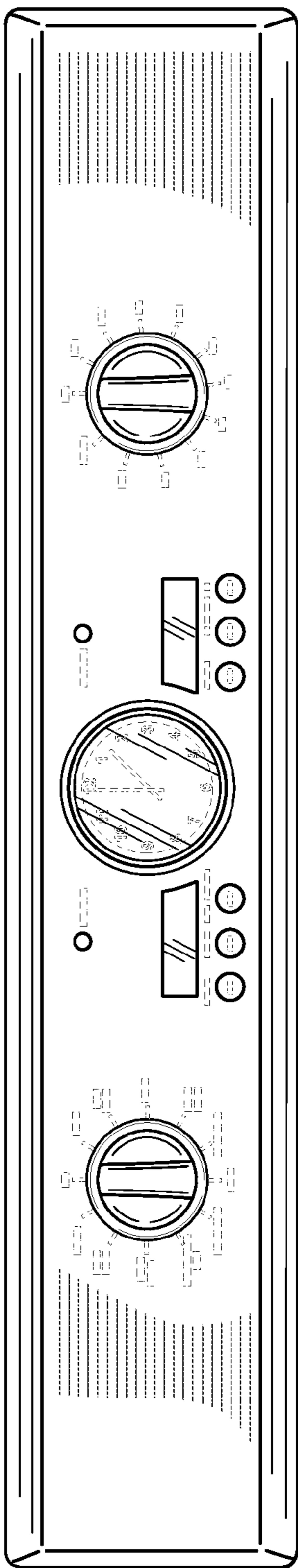


Fig. 10

