



US00D612681S

(12) **United States Design Patent**
Baker et al.

(10) **Patent No.:** **US D612,681 S**
(45) **Date of Patent:** **** Mar. 30, 2010**

(54) **PORTION OF AN APPLIANCE**
(75) Inventors: **Chuck Baker**, Anderson, SC (US);
Vittorio Cascianelli, Anderson, SC
(US); **Robert H. Martin**, Anderson, SC
(US); **Ben Shrader**, Anderson, SC (US);
Nic Saeger, Anderson, SC (US)
(73) Assignee: **Electrolux Home Products, Inc.**,
Cleveland, OH (US)

D471,403 S * 3/2003 Jones et al. D7/405
D477,479 S * 7/2003 Henderson et al. D6/510
D479,723 S * 9/2003 Braun et al. D15/89
D504,258 S * 4/2005 Grossman et al. D6/510
D521,317 S * 5/2006 Hessen et al. D7/405
D521,805 S * 5/2006 Hessen et al. D7/405
D523,667 S * 6/2006 Bisson D6/510
D546,121 S * 7/2007 Hessen et al. D7/405
D599,145 S * 9/2009 Daino et al. D6/510

* cited by examiner

(**) Term: **14 Years**
(21) Appl. No.: **29/340,220**
(22) Filed: **Jul. 15, 2009**

Primary Examiner—T. Chase Nelson
Assistant Examiner—Mark Cavanna
(74) *Attorney, Agent, or Firm*—Banner & Witcoff, Ltd.

(51) **LOC (9) Cl.** **07-02**
(52) **U.S. Cl.** **D7/405; D8/315**
(58) **Field of Classification Search** D7/339–341,
D7/346–349, 402, 405, 406; 126/21 A, 21 R,
126/39 B, 273 A; 219/391–394; D6/510,
D6/494; D15/89; D8/300–318; 16/110.1,
16/412, 414–420, 443–446
See application file for complete search history.

(57) **CLAIM**

The ornamental design for a portion of an appliance, as shown and described.

(56) **References Cited**

U.S. PATENT DOCUMENTS

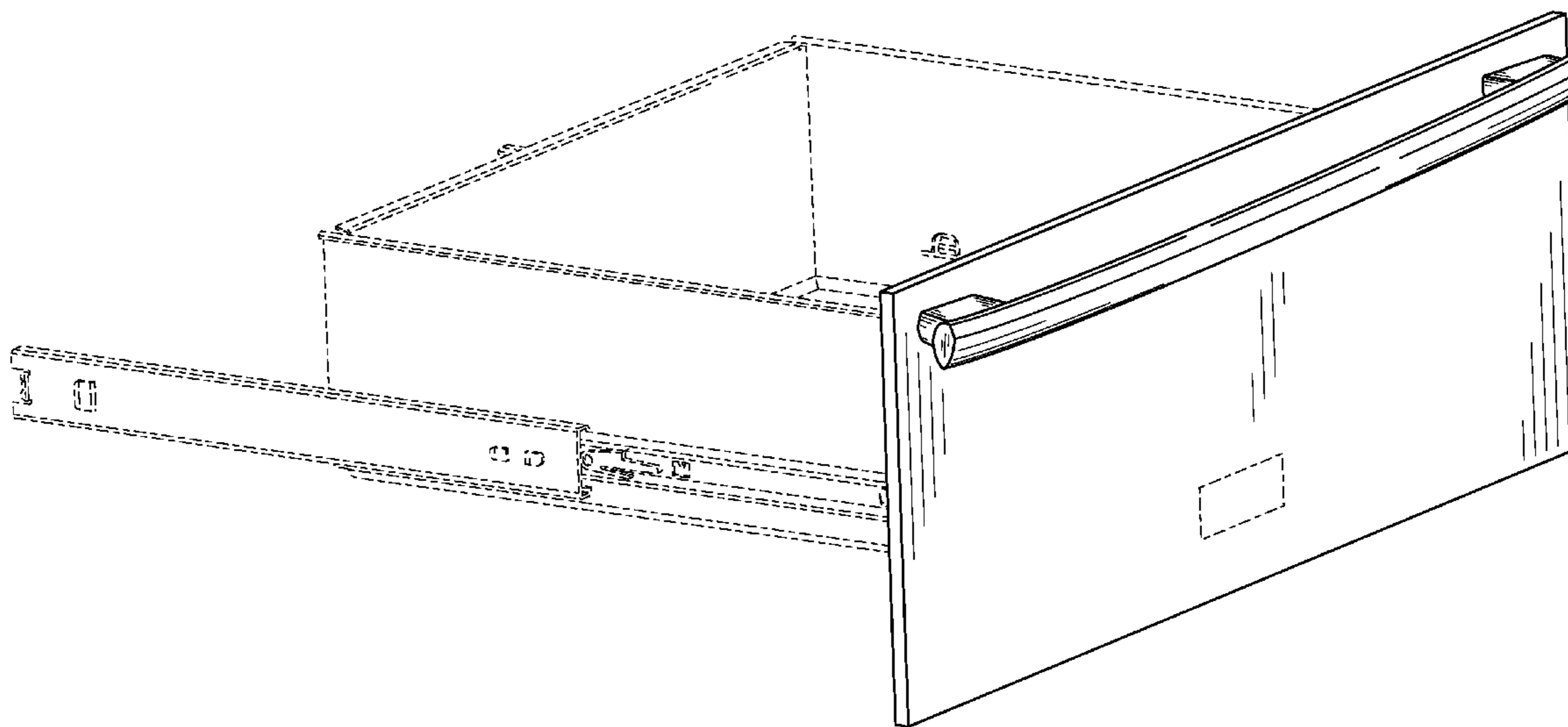
D264,660 S * 6/1982 Rock et al. D6/510
D267,066 S * 11/1982 Rock et al. D6/510
D285,395 S * 9/1986 Case et al. D6/494
D316,357 S * 4/1991 Chanda D7/405
D358,403 S * 5/1995 Edman et al. D15/89
D388,986 S * 1/1998 Dittberner et al. D6/510
D404,945 S * 2/1999 Simpkins et al. D6/510
D458,780 S * 6/2002 Siepmann et al. D6/510

DESCRIPTION

FIG. 1 is a front perspective view of a portion of an appliance showing our new design;
FIG. 2 is a front view thereof;
FIG. 3 is a rear view thereof;
FIG. 4 is a right side view thereof;
FIG. 5 is a left side view thereof;
FIG. 6 is a top view thereof; and,
FIG. 7 is a bottom view thereof.

The broken line showing of various regions, including the unshaded areas therein, is for illustrative purposes and forms no part of the claimed design.

1 Claim, 5 Drawing Sheets



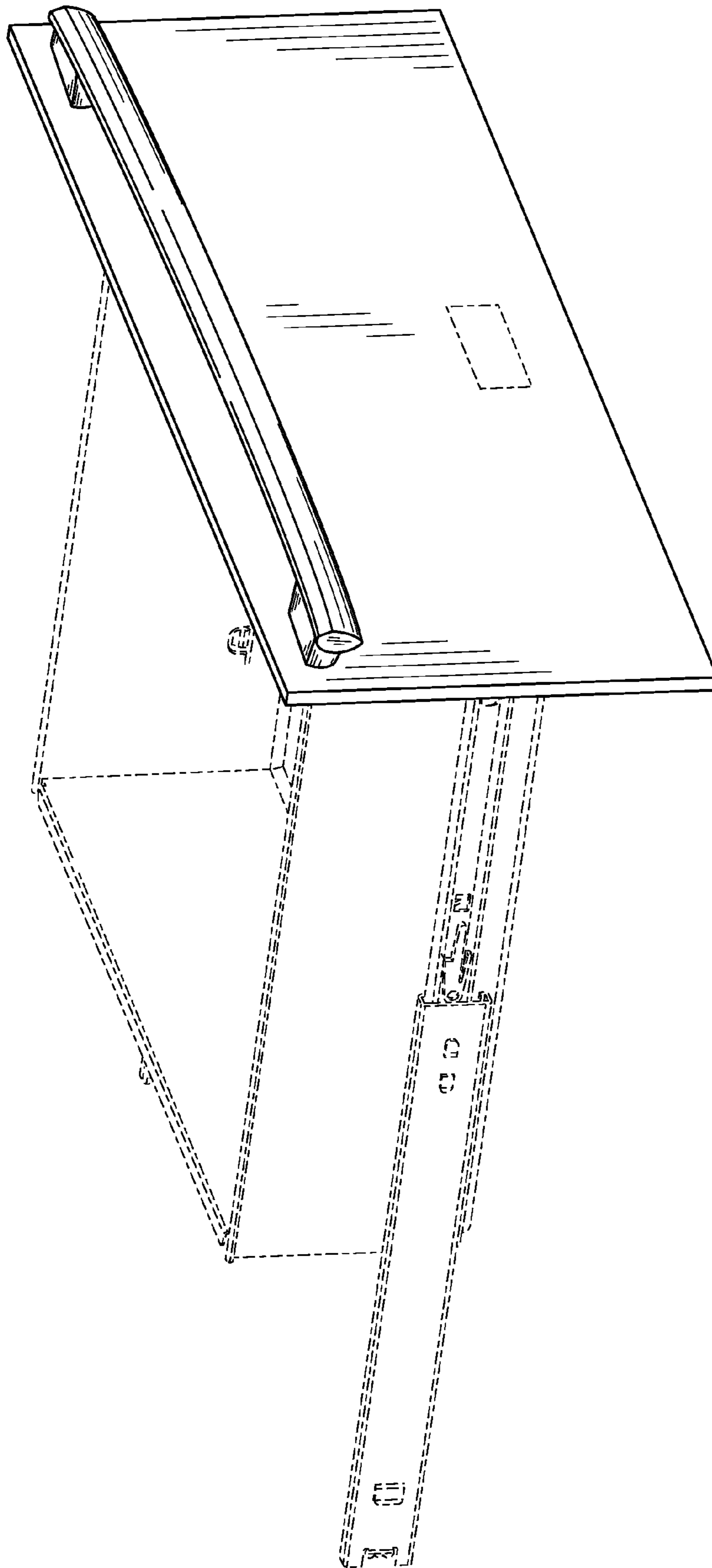


FIG. 1

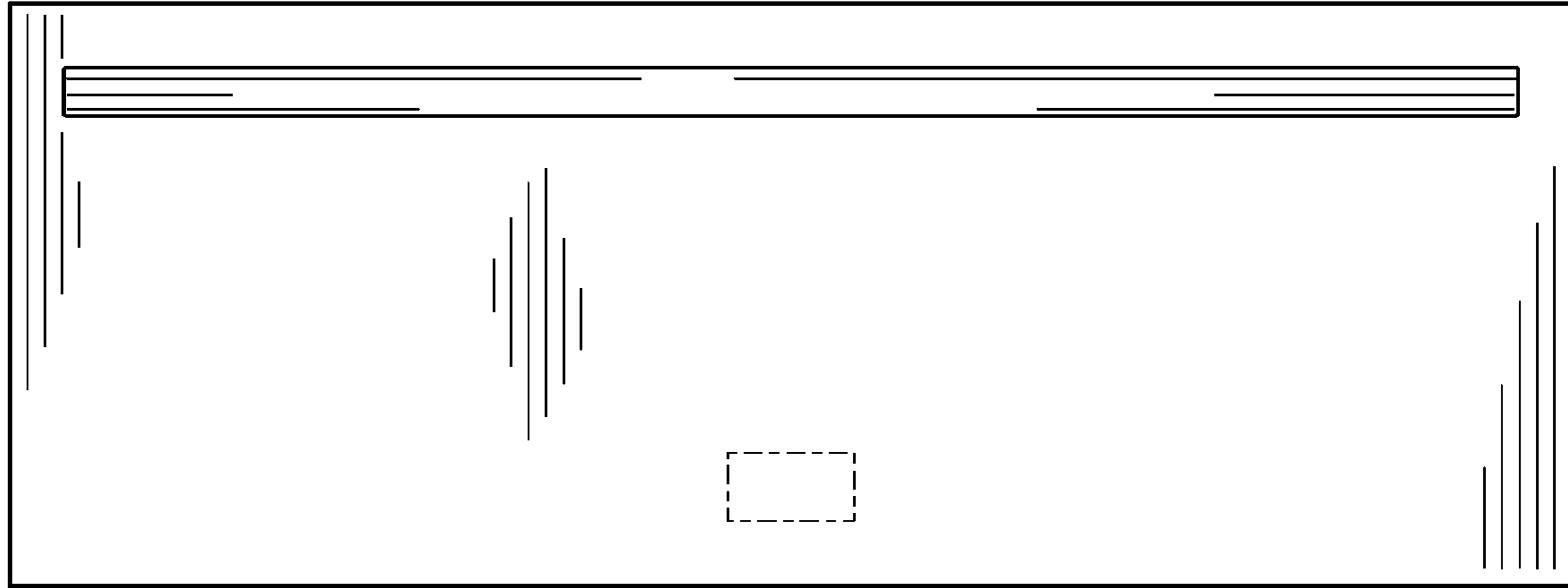


FIG. 2

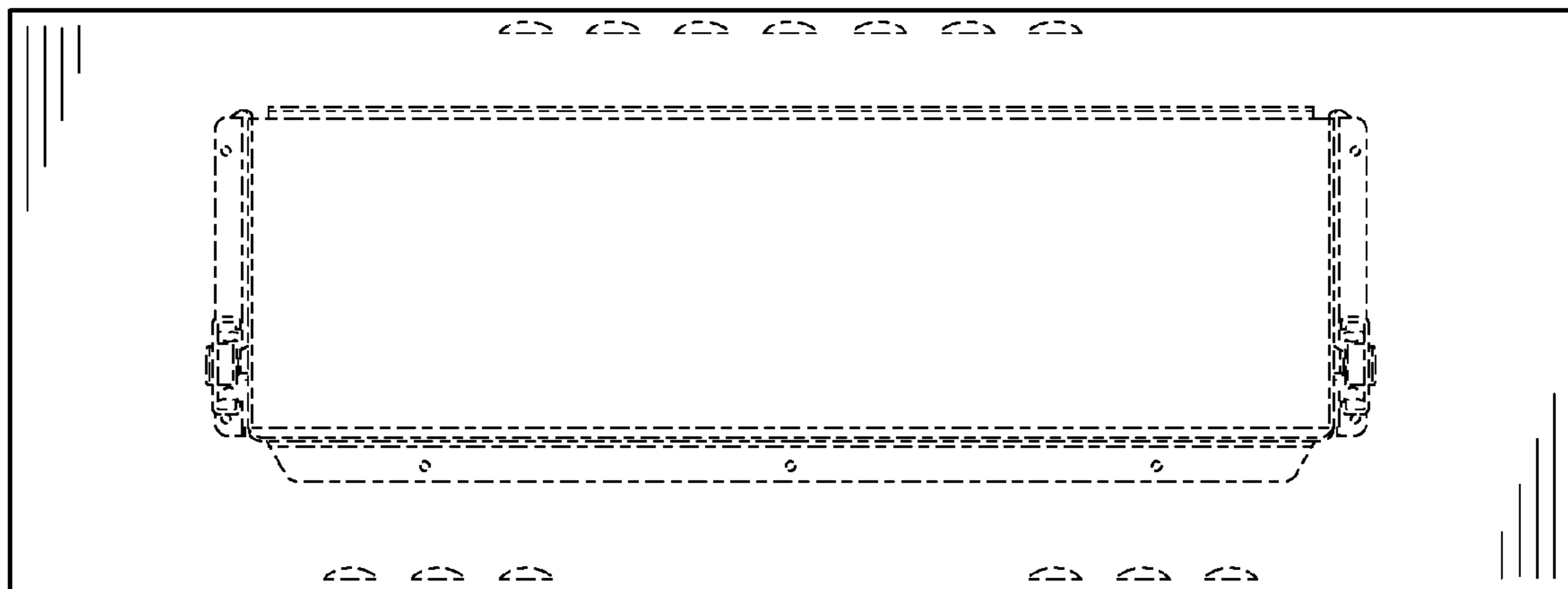


FIG. 3

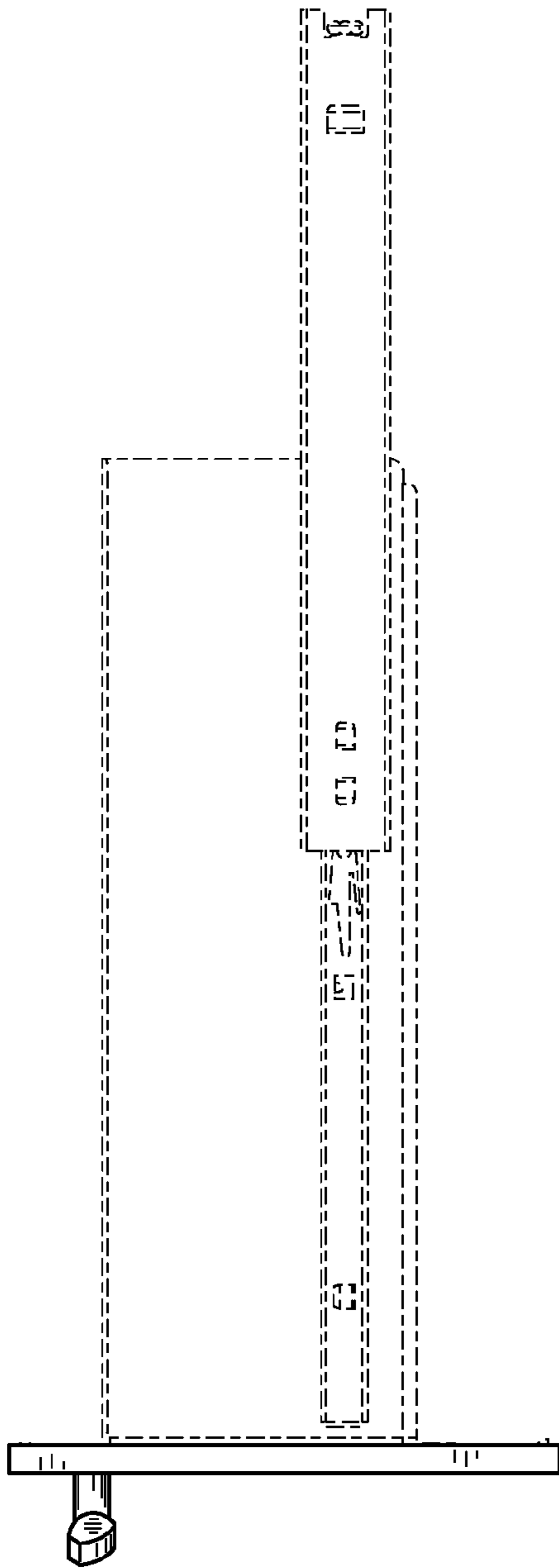


FIG. 4

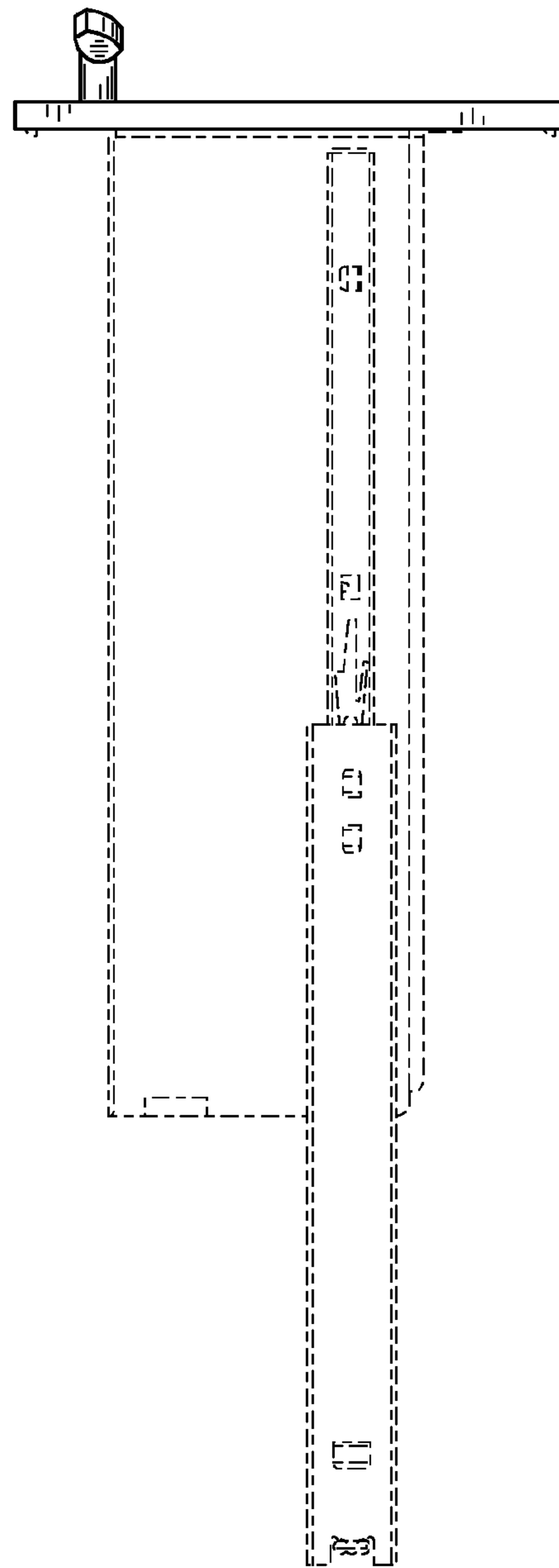


FIG. 5

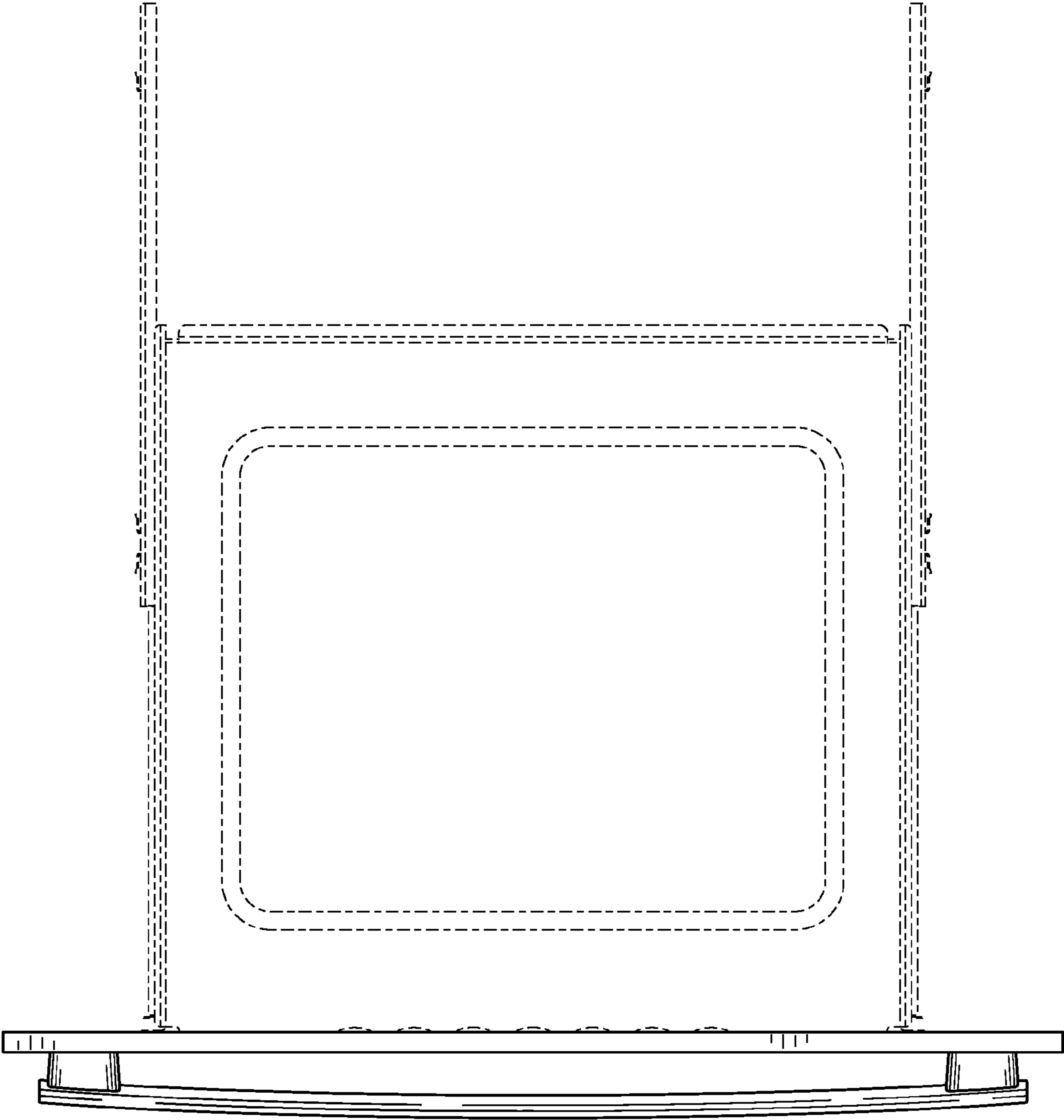


FIG. 6

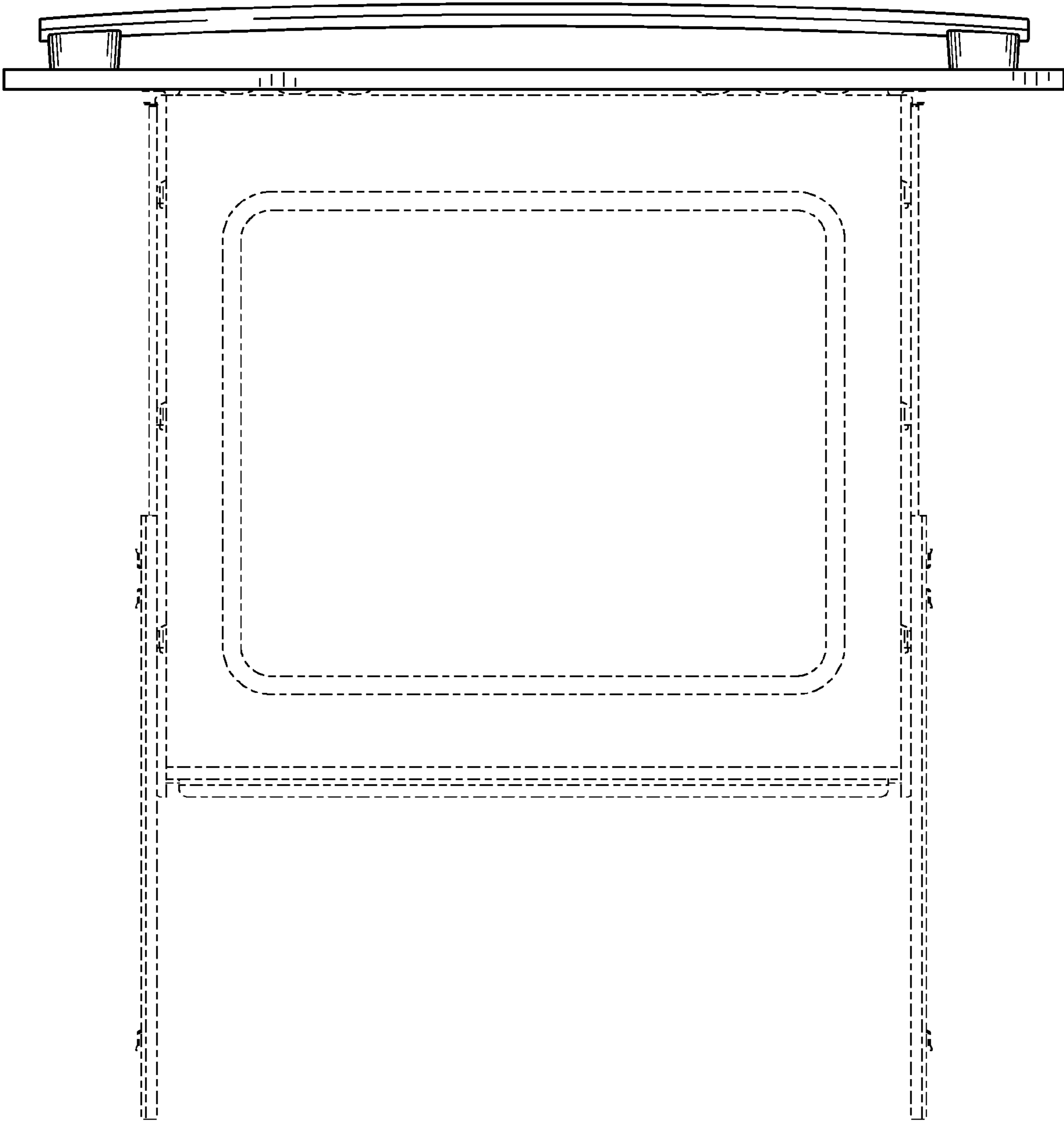


FIG. 7