



US00D612675S

(12) **United States Design Patent**
Ito

(10) **Patent No.:** **US D612,675 S**
(45) **Date of Patent:** **** Mar. 30, 2010**

(54) **FLATWARE**

(75) Inventor: **Yukiko Ito**, Oneida, NY (US)

(73) Assignee: **Oneida, Ltd.**, Oneida, NY (US)

(**) Term: **14 Years**

(21) Appl. No.: **29/346,983**

(22) Filed: **Nov. 10, 2009**

(51) **LOC (9) Cl.** **07-02**

(52) **U.S. Cl.** **D7/401.2; D7/653**

(58) **Field of Classification Search** D7/368,
D7/395, 401.2, 642-646, 649-654, 660-669,
D7/675-676, 683, 688-692, 695-696; 30/137,
30/141-143, 147-150, 322-327, 329, 340,
30/342-346; 416/70 R

See application file for complete search history.

(56) **References Cited**

U.S. PATENT DOCUMENTS

D175,100 S *	7/1955	Berk	D7/653
D231,893 S *	6/1974	Manderfield	D7/653
D422,852 S *	4/2000	Junko	D7/662
D423,285 S *	4/2000	Toffolon	D7/401.2
D463,957 S *	10/2002	Junko	D7/653
D484,368 S *	12/2003	Ito	D7/653
D489,943 S *	5/2004	Shane-Schuldt	D7/653
D491,770 S *	6/2004	Strange	D7/653
D554,443 S *	11/2007	Shane-Schuldt	D7/653
D593,377 S *	6/2009	Ito	D7/653

* cited by examiner

Primary Examiner—Caron Veynar

Assistant Examiner—Ricky Pham

(74) *Attorney, Agent, or Firm*—George R. McGuire; Bond Schoeneck & King, PLLC

(57) **CLAIM**

The ornamental design for flatware, as shown and described.

DESCRIPTION

FIG. 1 is a top plan view of a new and ornamental design for flatware embodied as a spoon, with the spoon shown in phantom for illustrative purposes only and forming no part of the claimed design;

FIG. 2 is a bottom plan view thereof;

FIG. 3 is a right side elevation view thereof, the opposite side being a mirror image thereof;

FIG. 4 is a cross-sectional view taken along section line 4—4 of FIG. 1 to illustrate the exterior peripheral shape of the article at the cross-section and with the interior construction details being illustrated in phantom lines and not forming any part of the claimed design; and,

FIG. 5 is a cross-sectional view taken along section line 5—5 of FIG. 1 to illustrate the exterior peripheral shape of the article at the cross-section and with the interior construction details being illustrated in phantom lines and not forming any part of the claimed design.

1 Claim, 1 Drawing Sheet

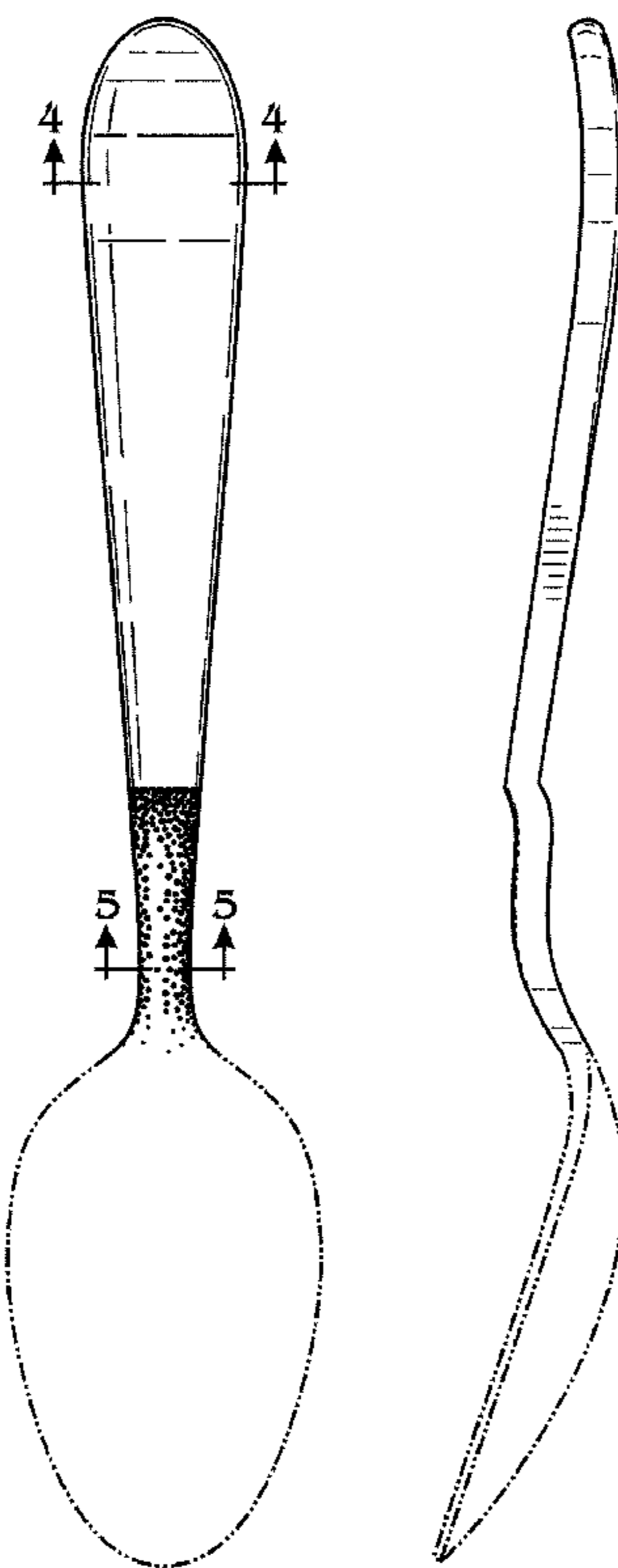


Fig. 1

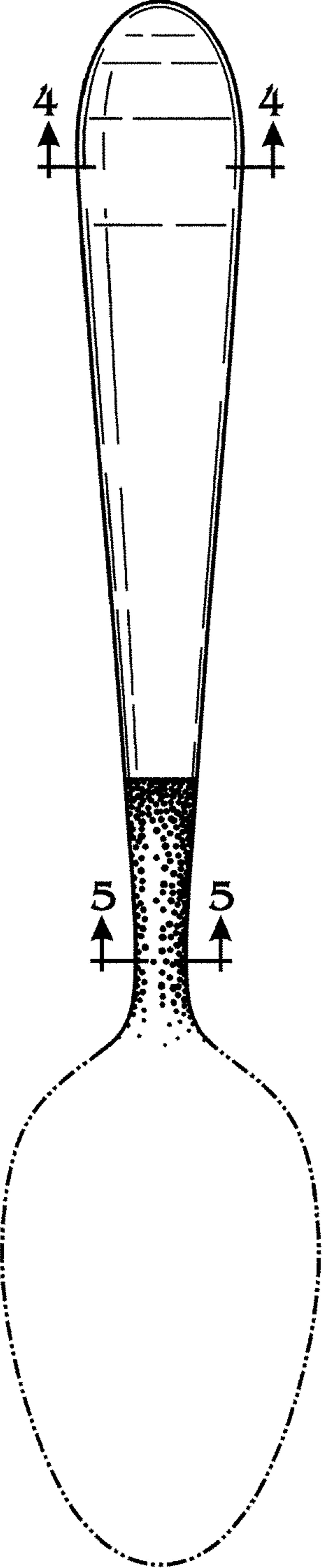


Fig. 2

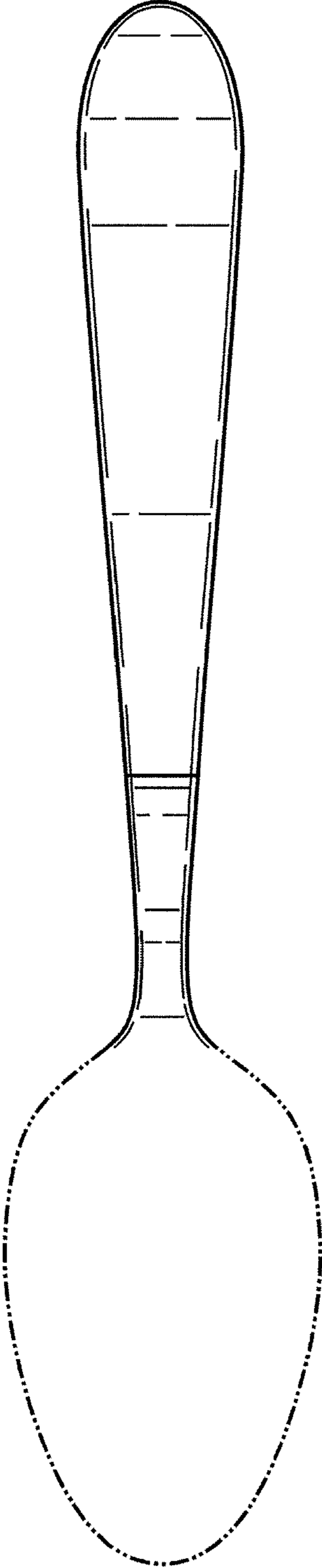


Fig. 3

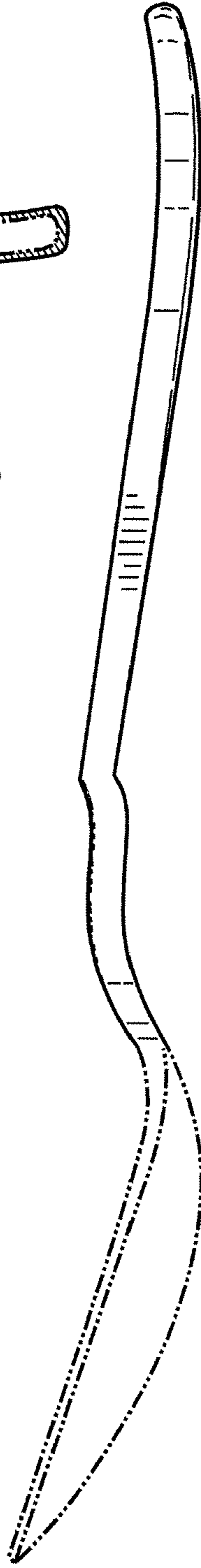


Fig. 4

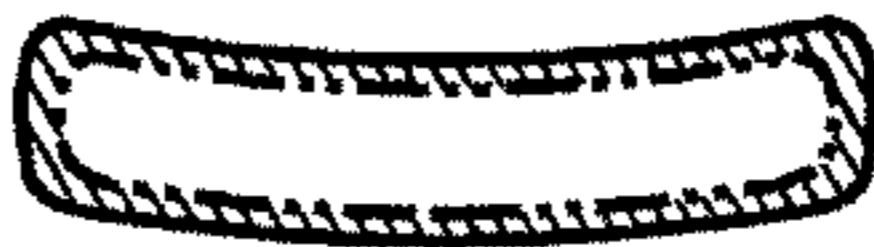


Fig. 5

