



US00D612672S

(12) **United States Design Patent**
Fabbri

(10) **Patent No.:** **US D612,672 S**
(45) **Date of Patent:** **** Mar. 30, 2010**

(54) **DRINKING MUG HANDLE**

(76) **Inventor:** **Joseph J. Fabbri**, 5937 Northern Blvd.,
Muttontown, NY (US) 11732

(**) **Term:** **14 Years**

(21) **Appl. No.:** **29/317,971**

(22) **Filed:** **May 10, 2008**

(51) **LOC (9) Cl.** **07-02**

(52) **U.S. Cl.** **D7/393**

(58) **Field of Classification Search** D7/393,
D7/394, 514, 515, 533, 536; D11/44, 48,
D11/61, 116, 157, 223, 114; D1/114; D5/30;
D6/307; D3/211; D18/24-30; D20/29;
D21/400, 480; D24/102; D26/7, 12, 16;
D28/22; 40/324, 542; 206/217; 220/592.17,
220/703, 710.5, 771; 431/126; 434/193;
D9/652; D23/328, 382; 249/117; 235/383
See application file for complete search history.

(56) **References Cited**

U.S. PATENT DOCUMENTS

D54,620 S *	3/1920	Heathcote	D11/116
D56,611 S *	11/1920	Heathcote	D11/116
D56,871 S *	1/1921	Heathcote	D11/116
D58,695 S *	8/1921	Arend	D11/116
D59,589 S *	11/1921	Heathcote	D11/116
D59,591 S *	11/1921	Heathcote	D11/116
1,742,807 A *	1/1930	Hensel et al.	40/542
D102,810 S *	1/1937	Aitchison	D18/24
D136,020 S *	7/1943	Kleineck	D11/61
D155,232 S *	9/1949	Price	D18/30
D159,724 S *	8/1950	Glass	D7/515
D175,884 S *	10/1955	Fischett	D26/12
2,958,961 A *	11/1960	Wheeler	434/193
3,093,093 A *	6/1963	Genevieve et al.	D1/114
3,827,162 A *	8/1974	Moeser	434/193
3,918,178 A *	11/1975	Riley	434/193
3,934,357 A *	1/1976	Couvillion	434/193
D246,009 S *	10/1977	Tanikawa	D26/7
D248,936 S *	8/1978	Lohan	D11/157
D255,584 S *	6/1980	Brentini	D18/29

D259,667 S *	6/1981	Williams	D28/22
D260,190 S *	8/1981	Williams	D28/22
4,382,794 A *	5/1983	Preus	434/193
D294,809 S *	3/1988	Robinson	D11/61

(Continued)

Primary Examiner—Philip S Hyder
Assistant Examiner—Cynthia M Chin

(57) **CLAIM**

The ornamental design for a drinking mug handle, as shown and described.

DESCRIPTION

FIG. 1 is a perspective view of a drinking mug handle showing my new design;

FIG. 2 is a front elevational view thereof, the rear view being a mirror image;

FIG. 3 is an environmental top plan view thereof;

FIG. 4 is an environmental bottom plan view thereof;

FIG. 5 is a side elevational view thereof;

FIG. 6 is a top plan view thereof;

FIG. 7 is a bottom plan view thereof;

FIG. 8 is a perspective view of a 2nd embodiment of a drinking mug handle showing my new design;

FIG. 9 is a front elevational view thereof, the rear view being a mirror image;

FIG. 10 is an environmental top plan view thereof;

FIG. 11 is an environmental bottom plan view thereof;

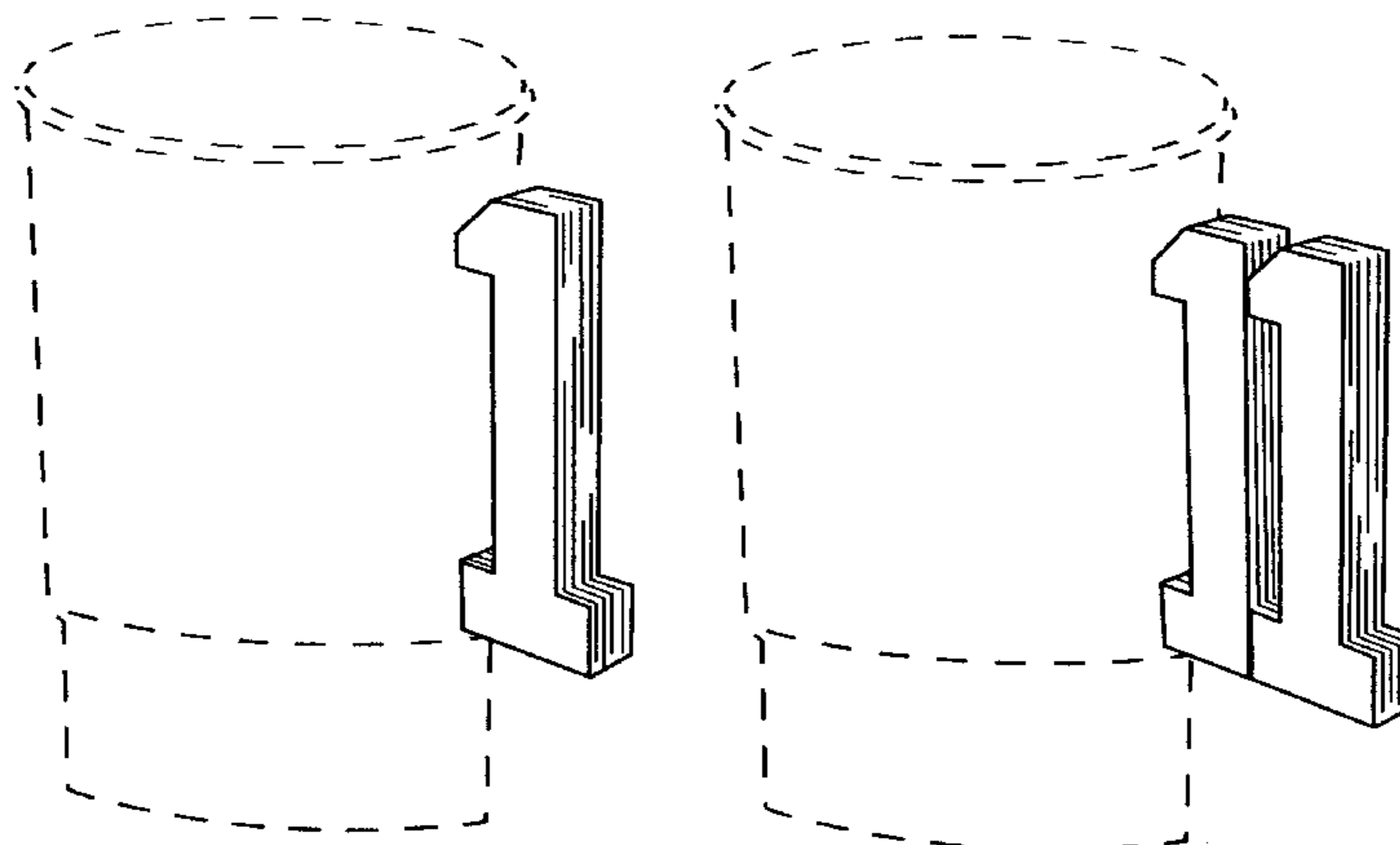
FIG. 12 is a side elevational view thereof;

FIG. 13 is a top plan view thereof; and,

FIG. 14 is a bottom plan view thereof.

The broken line illustration of the mug in FIGS. 1-5 and 8-12 represent the environment in which the design resides and forms no part of the claim.

1 Claim, 4 Drawing Sheets



US D612,672 S

Page 2

U.S. PATENT DOCUMENTS

D304,458 S *	11/1989	Mowry, Jr.	D18/24	D416,055 S *	11/1999	Pool et al.	D21/400
D310,690 S *	9/1990	Walsh	D20/29	D419,374 S *	1/2000	Marck	D7/394
D325,708 S *	4/1992	O'Malley	D11/83	D432,353 S *	10/2000	Marck	D7/394
D338,032 S *	8/1993	Wagers	D18/24	D441,282 S *	5/2001	Davis	D9/652
D360,657 S *	7/1995	Barnard	D21/480	6,491,219 B2 *	12/2002	Brentini	235/383
D382,086 S *	8/1997	Peoples-Allen et al.	D1/114	D502,876 S *	3/2005	Weinstock	D9/652
5,865,627 A *	2/1999	Foresman	434/193	D510,698 S *	10/2005	Goldberg	D8/383
D407,834 S *	4/1999	Lane	D26/16	D513,798 S *	1/2006	Andrews et al.	D23/382
D414,819 S *	10/1999	Pool et al.	D21/400	D531,291 S *	10/2006	Andrews et al.	D23/328
D415,537 S *	10/1999	Pool et al.	D21/400	D532,091 S *	11/2006	Andrews et al.	D23/328

* cited by examiner

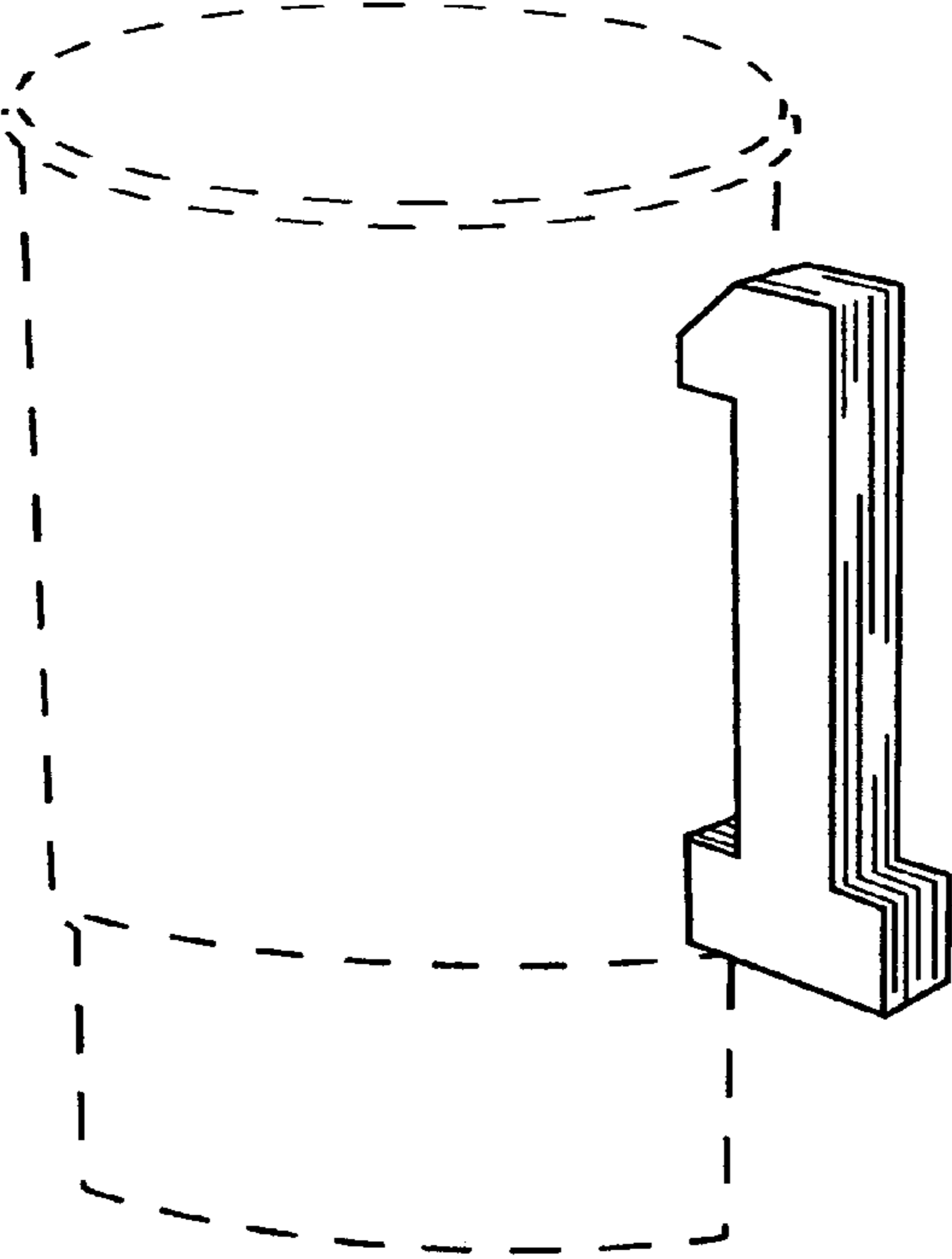


FIG. 1

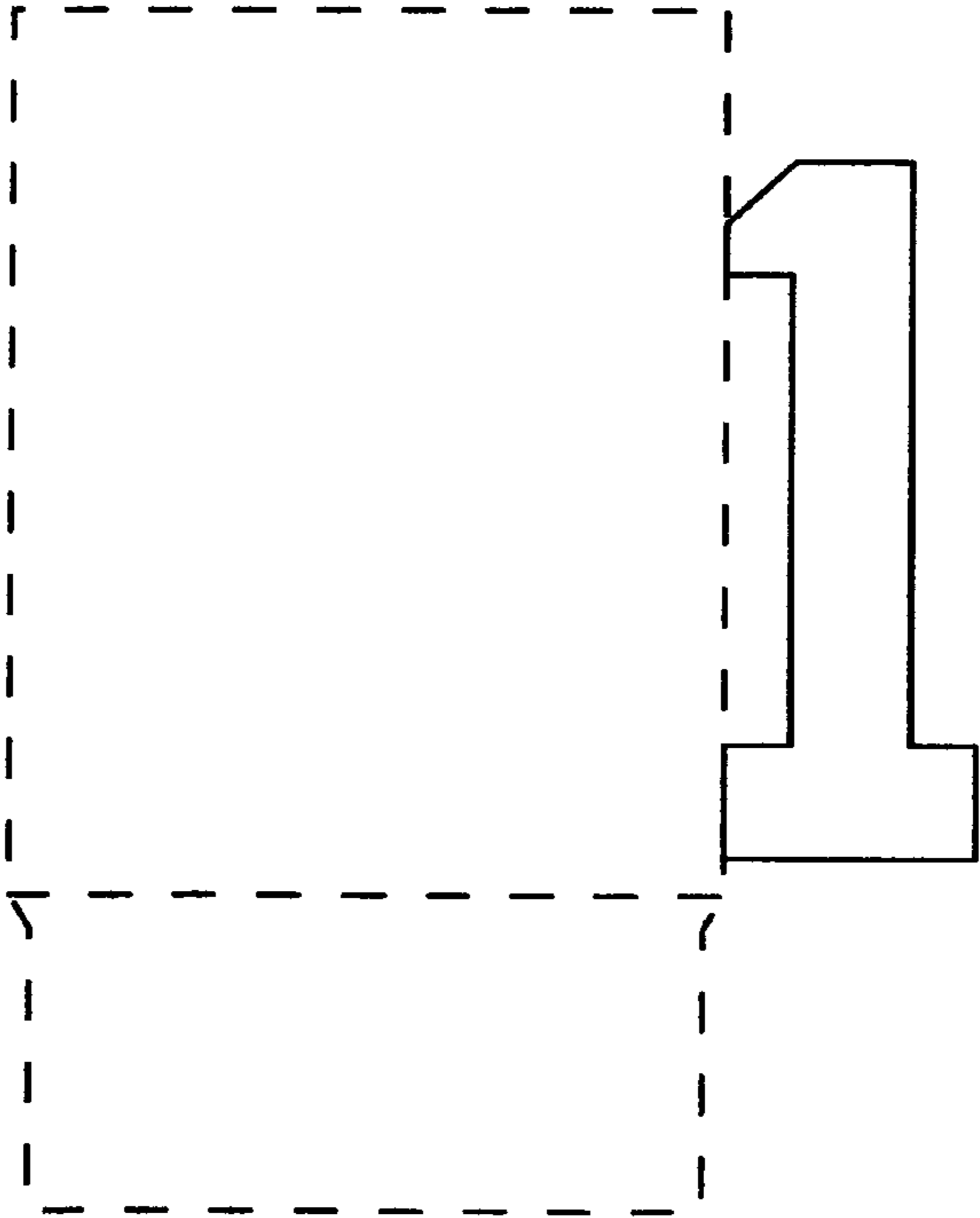


FIG. 2

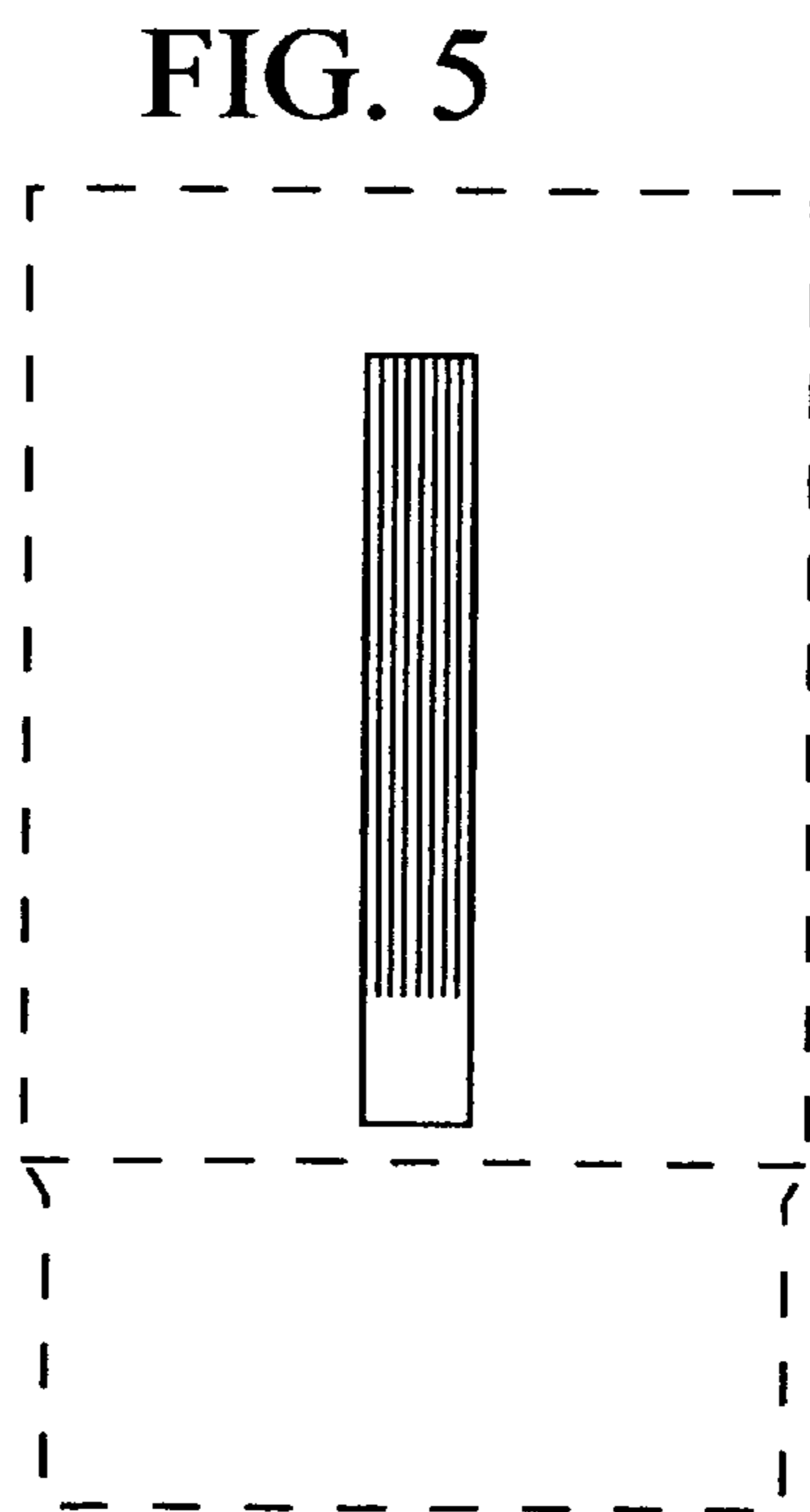
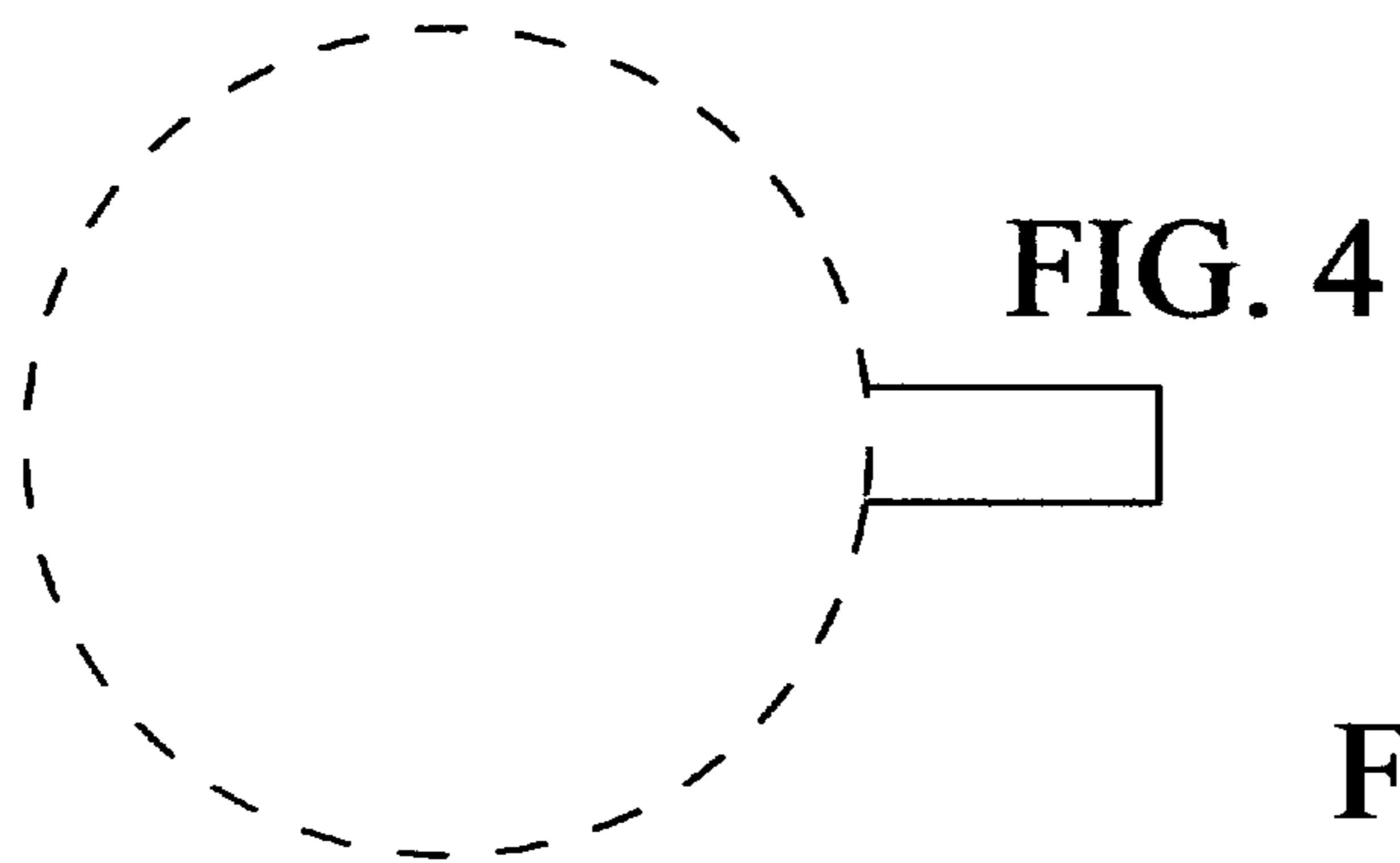
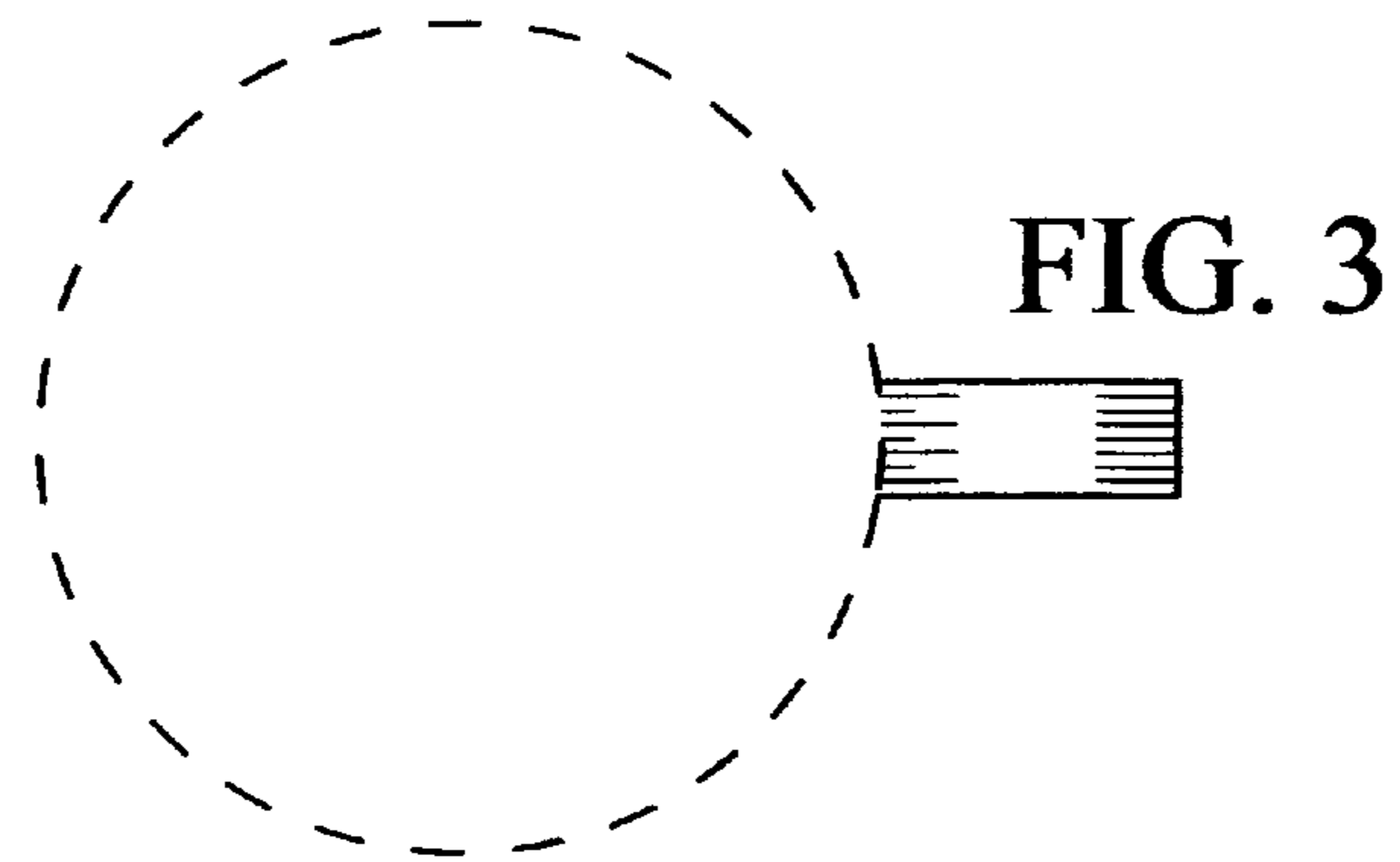


FIG. 6



FIG. 7



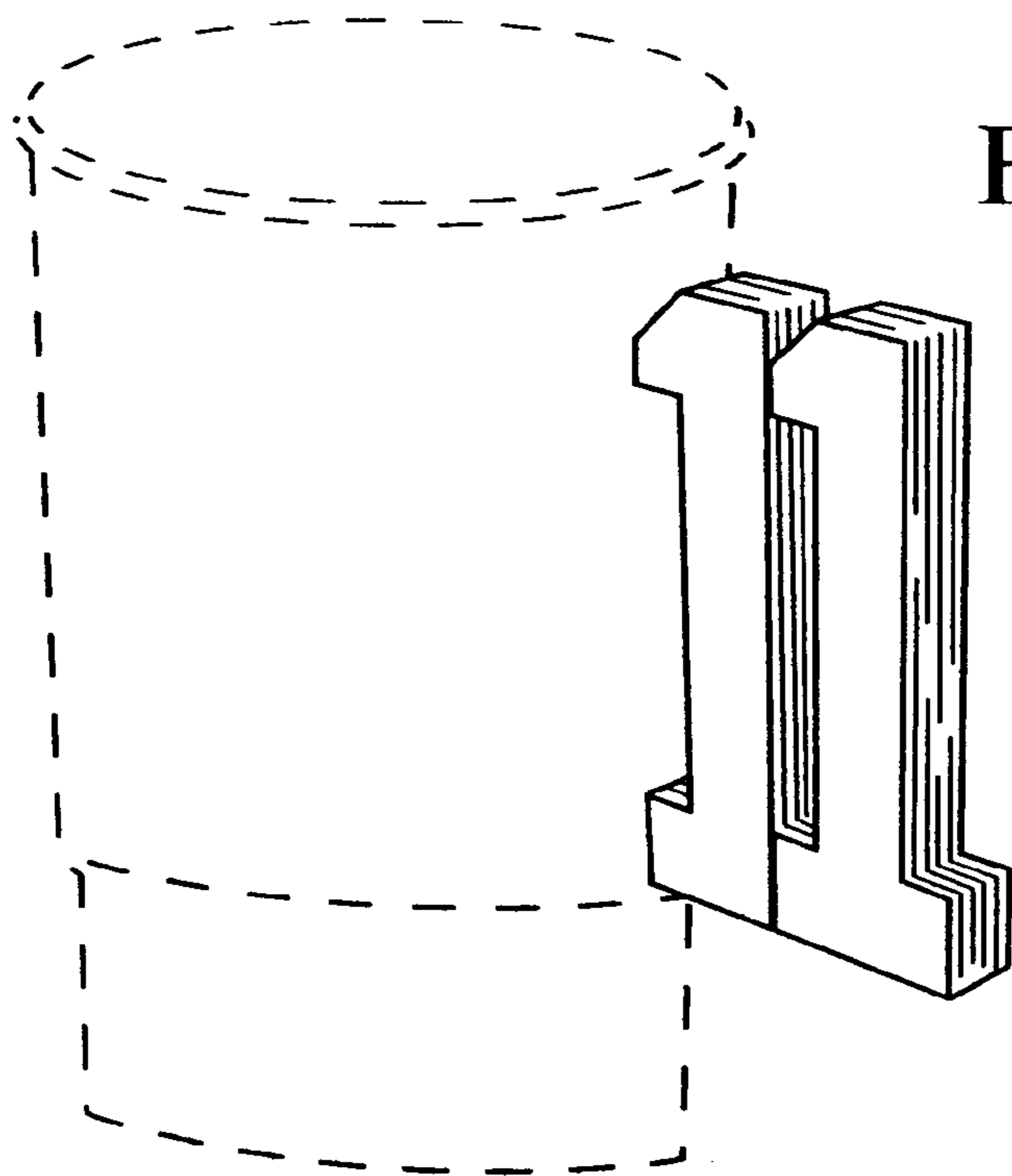


FIG. 8

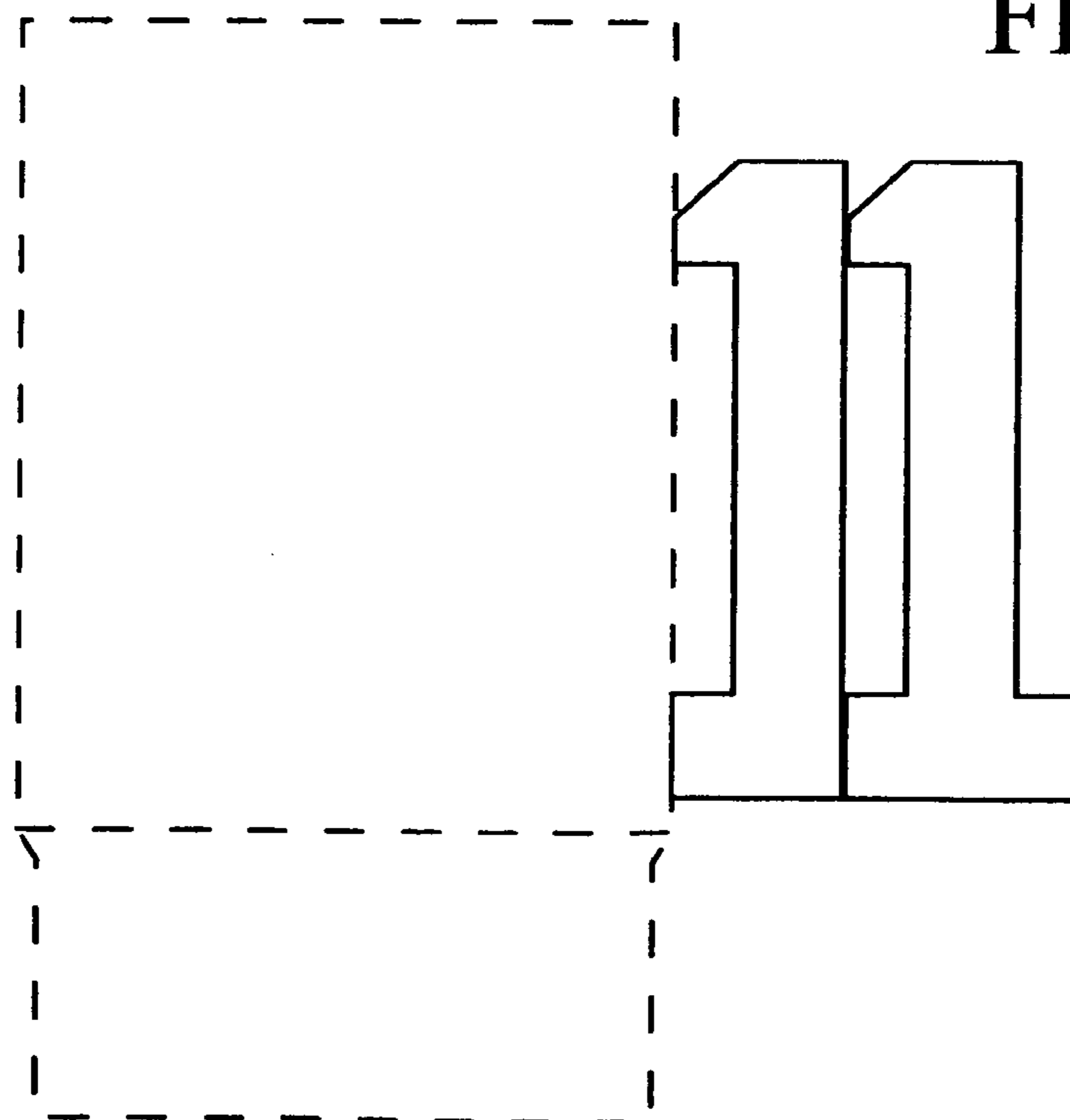


FIG. 9

