



US00D612667S

(12) **United States Design Patent**
Klotz

(10) **Patent No.:** **US D612,667 S**

(45) **Date of Patent:** **** Mar. 30, 2010**

(54) **GARLIC SLICER**

(75) Inventor: **Markus Klotz**, Hainau (DE)

(73) Assignee: **Leifheit AG**, Nassau/Lahn (DE)

(**) Term: **14 Years**

(21) Appl. No.: **29/336,510**

(22) Filed: **May 5, 2009**

(51) **LOC (9) Cl.** **31-00**

(52) **U.S. Cl.** **D7/381**

(58) **Field of Classification Search** D7/323,
D7/372-373, 376-386, 412-414, 665, 669,
D7/693; D9/428, 655; 99/337, 492, 495,
99/509-513, 645; 241/166-169, 264, 270-278.2,
241/283, 285.1-285.3, 291, 292.1; 366/64-67,
366/98, 197-207, 241-254, 279-292, 341-343
See application file for complete search history.

(56) **References Cited**

U.S. PATENT DOCUMENTS

D218,256 S *	8/1970	Rams	D7/373
D320,326 S *	10/1991	Barrault	D7/384
D346,526 S *	5/1994	Bannigan	D7/323
D444,668 S *	7/2001	Leung	D7/372
D489,585 S *	5/2004	Wong	D7/693
D518,688 S *	4/2006	Overthun et al.	D7/693
D519,027 S *	4/2006	Haber et al.	D9/428
D525,480 S *	7/2006	Piret	D7/372
D530,218 S *	10/2006	Burkemper	D9/655
D572,076 S *	7/2008	Ling	D7/384
2004/0149843 A1 *	8/2004	Tang	241/272

* cited by examiner

Primary Examiner—Caron Veynar

Assistant Examiner—Ricky Pham

(74) *Attorney, Agent, or Firm*—Darby & Darby

(57) **CLAIM**

The ornamental design for garlic slicer, as shown and described.

DESCRIPTION

FIG. 1 is a front, top, and left side perspective view of the garlic slicer showing my new design;

FIG. 2 is a front view thereof, the left side view, right side view and back view being identical to the front view;

FIG. 3 is a top view thereof;

FIG. 4 is a bottom view thereof;

FIG. 5 is a left side and top perspective exploded view thereof, with a sleeve part removed from a base part thereof;

FIG. 6 is a left side view of the base part of the garlic slicer, shown without the top sleeve part for ease of illustration, the right side view being identical to the left side view;

FIG. 7 is a front view thereof, the back view being identical to the front view;

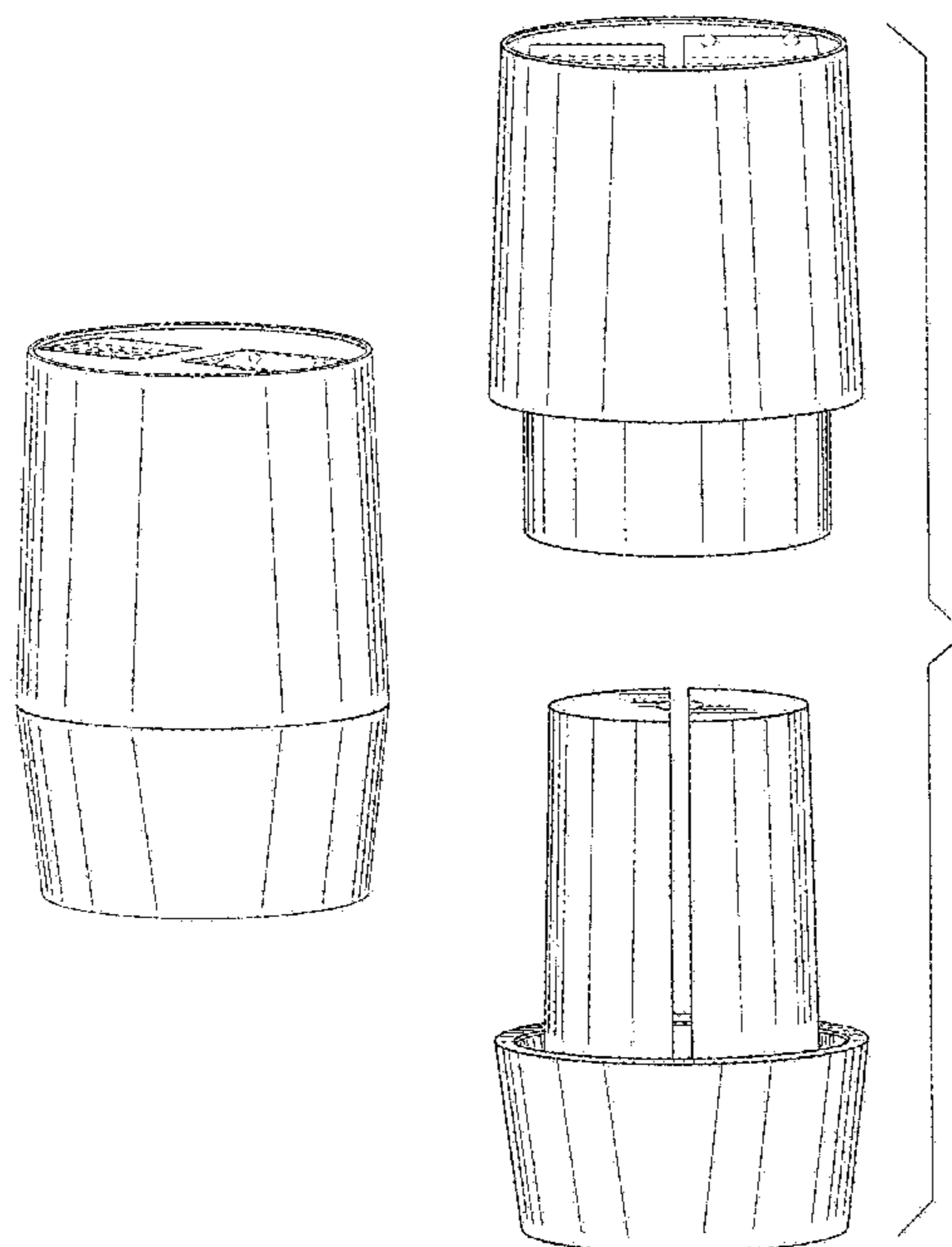
FIG. 8 is a top view thereof;

FIG. 9 is a bottom view of the sleeve part of the garlic slicer showing my new design; and,

FIG. 10 is a bottom and right side perspective view thereof.

The broken line portion in the drawing views is included to show unclaimed subject matter only and forms no party of the claimed design.

1 Claim, 6 Drawing Sheets



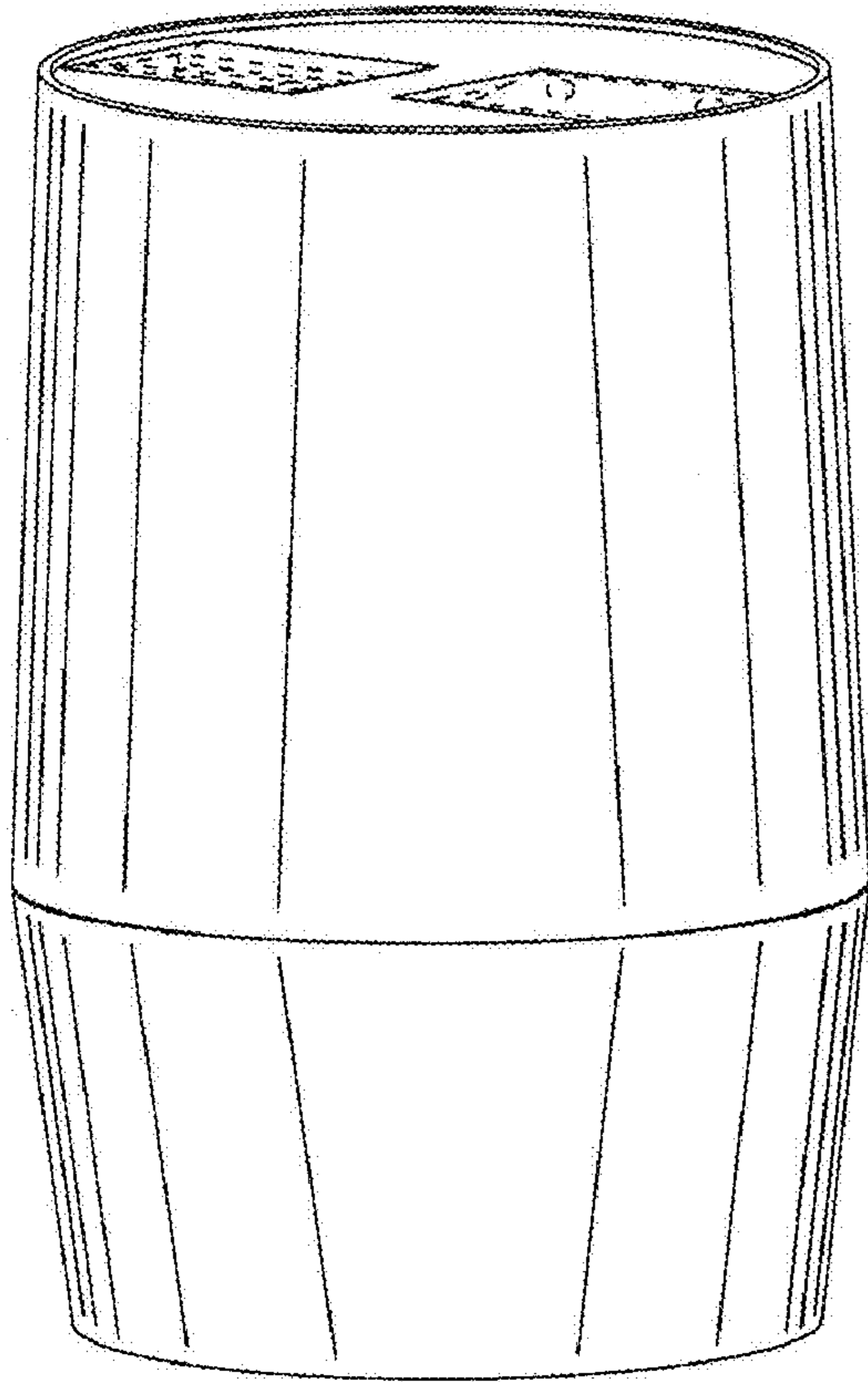


FIG. 1

FIG. 2

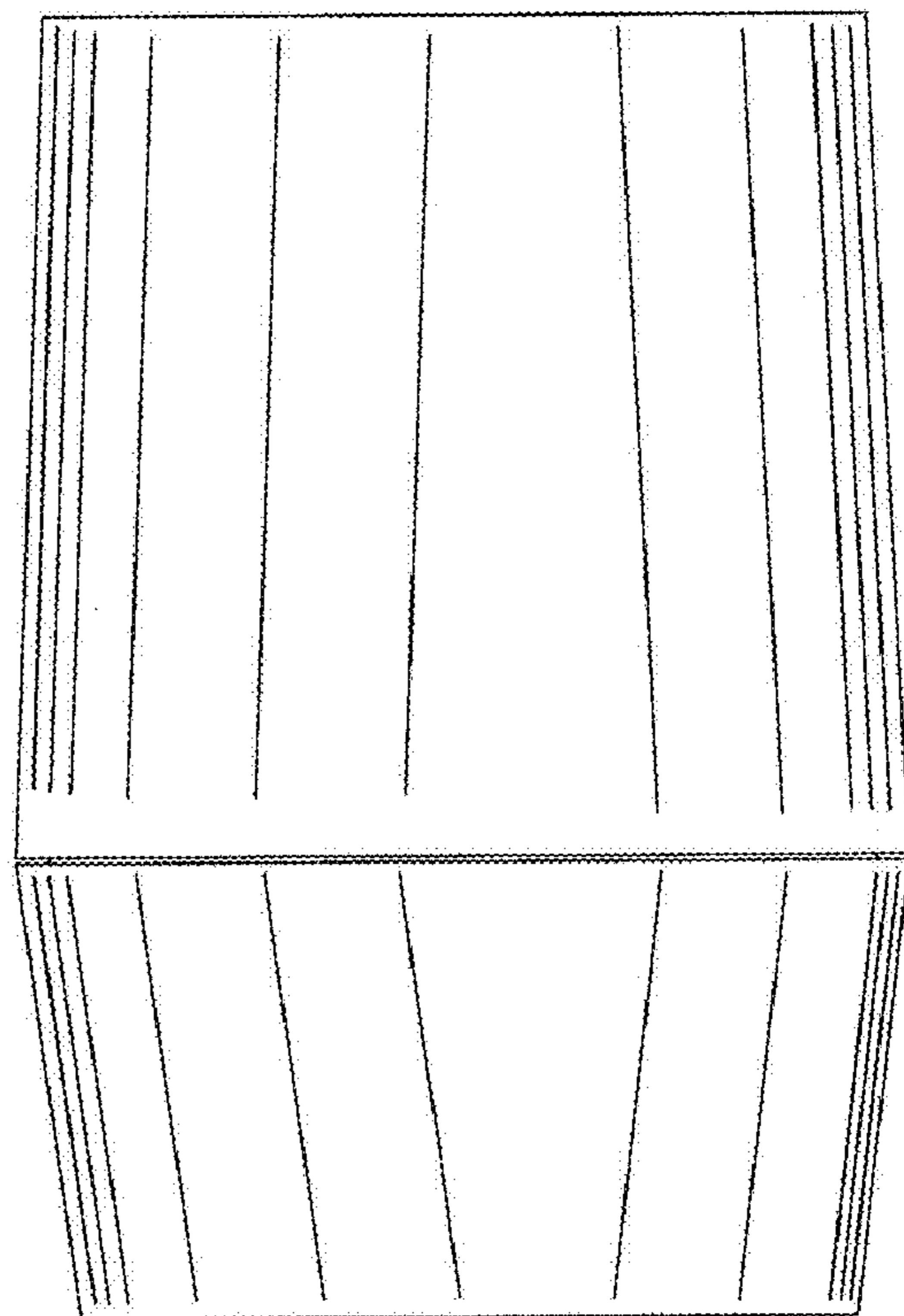


FIG. 3

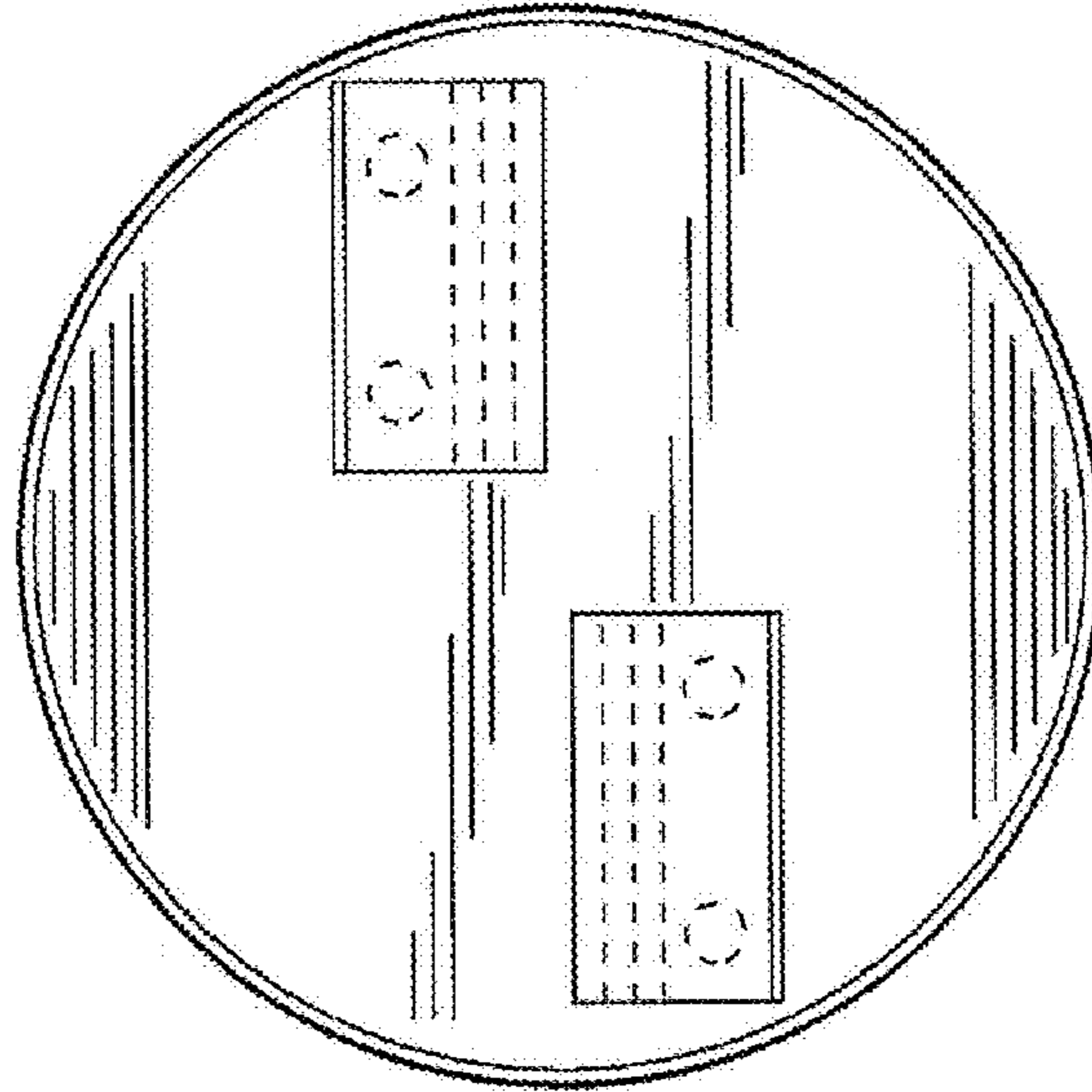


FIG. 4

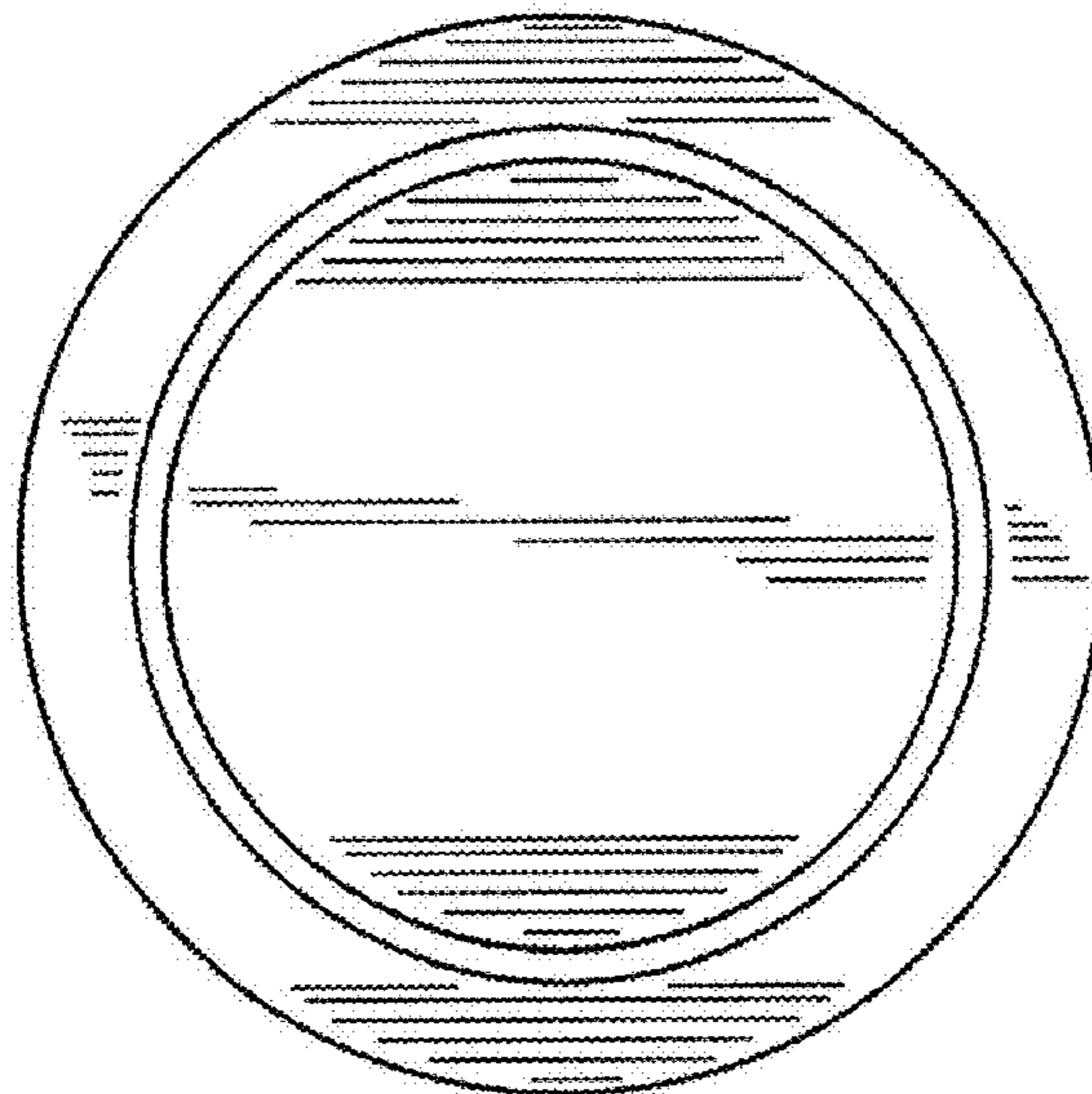
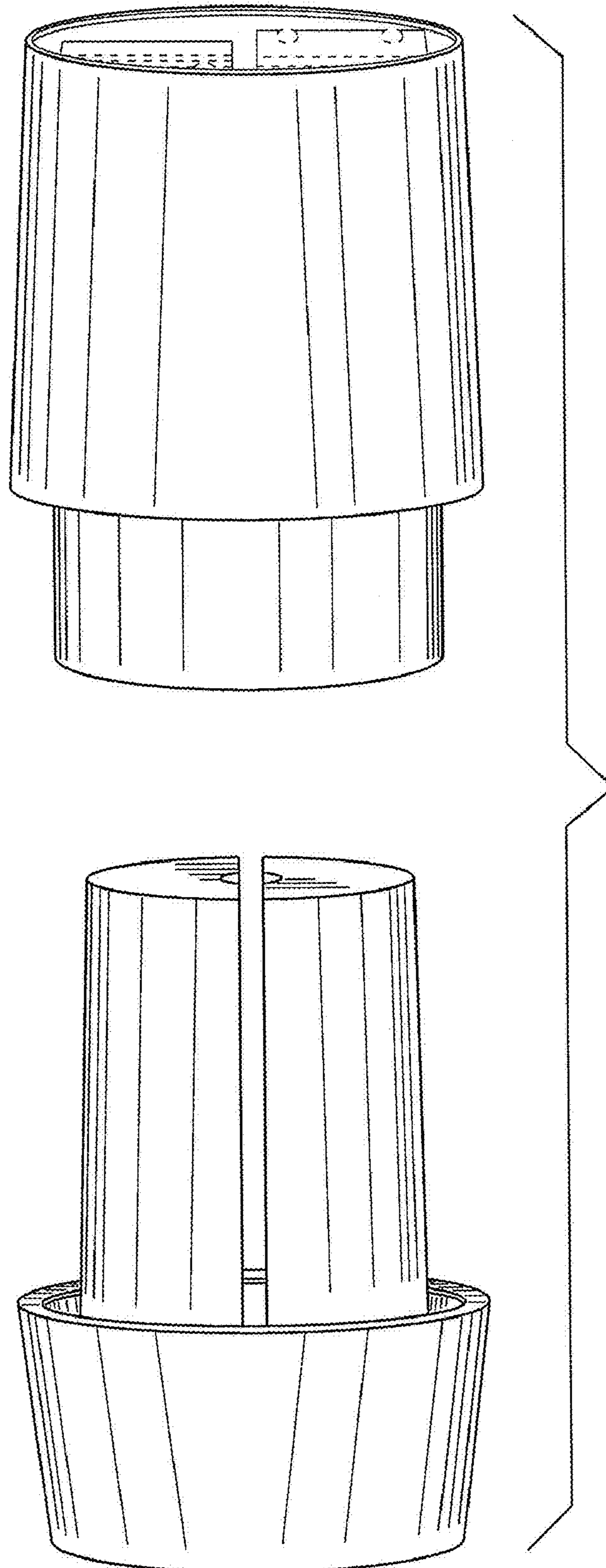


FIG. 5



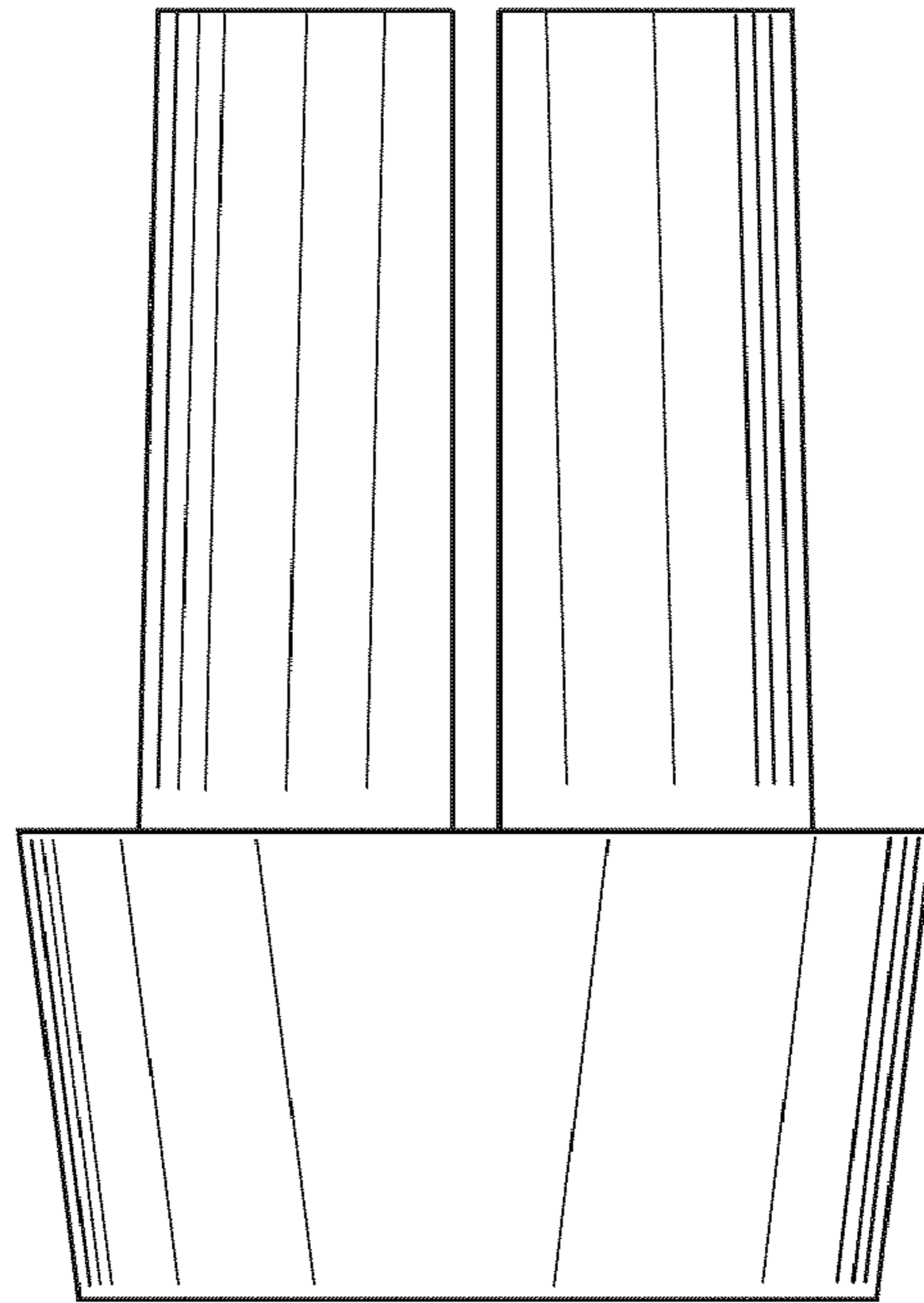


FIG. 6

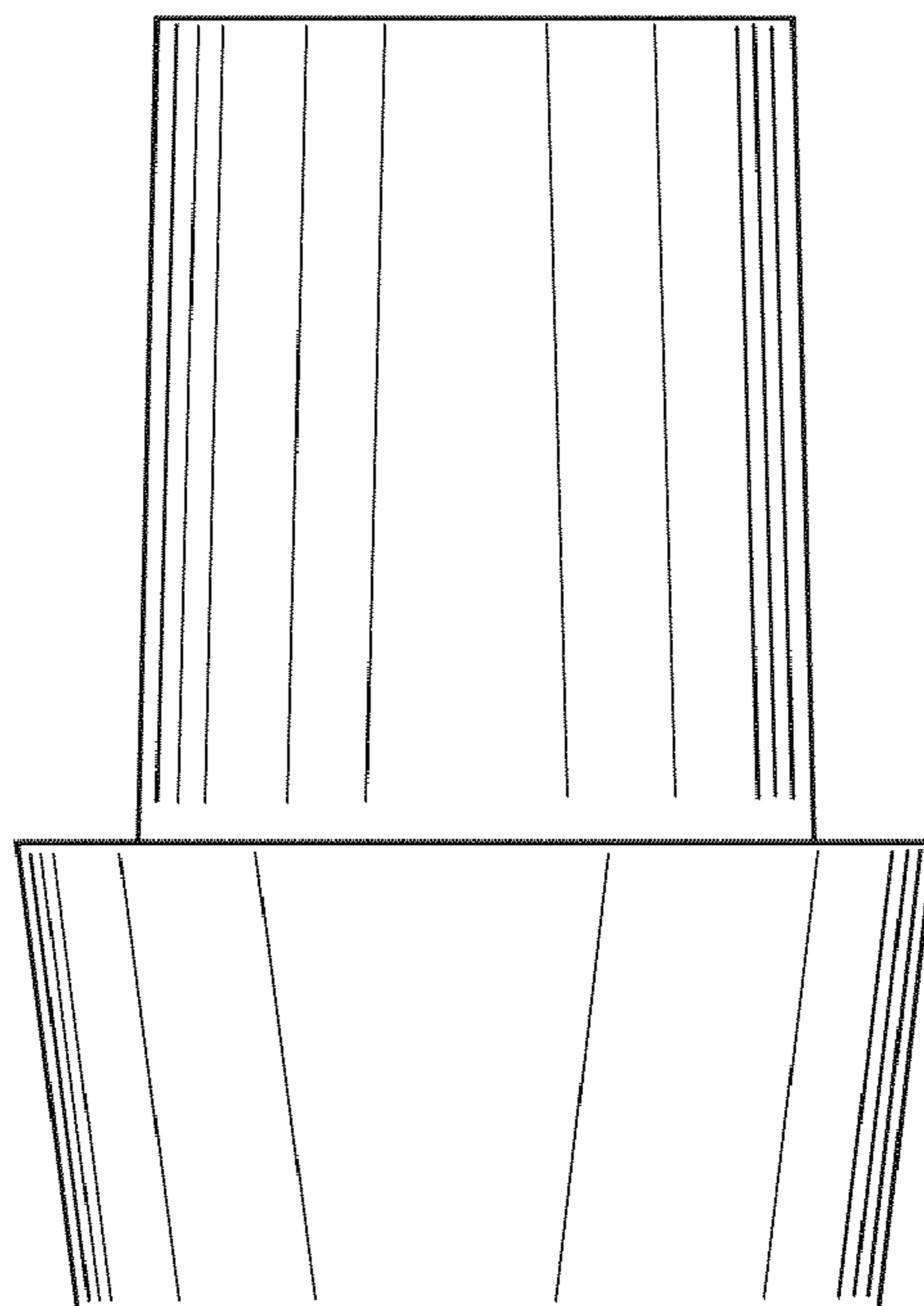


FIG. 7

FIG. 8

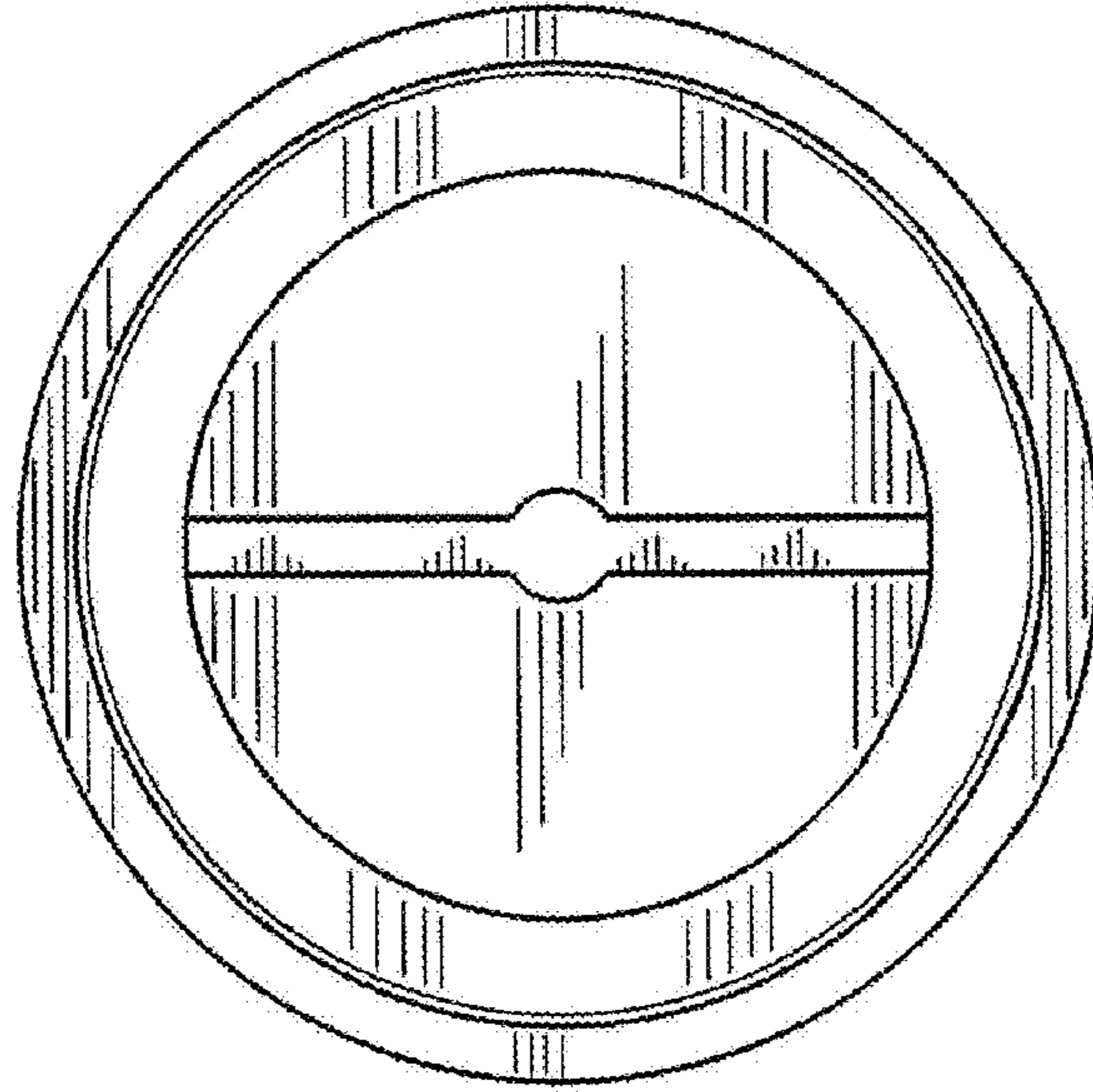


FIG. 9

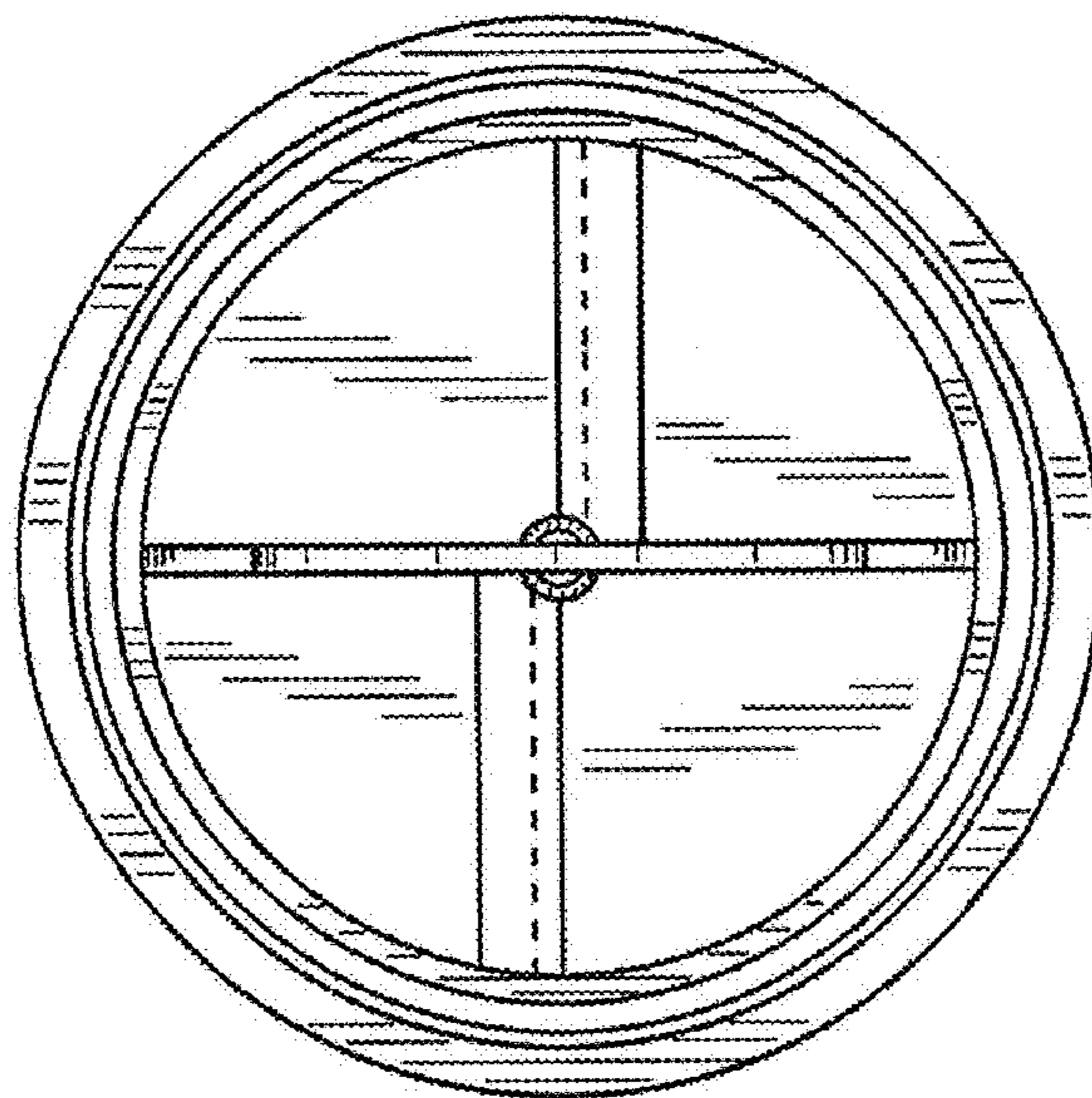


FIG. 10

