



US00D612666S

(12) **United States Design Patent**
Lin

(10) **Patent No.:** **US D612,666 S**
(45) **Date of Patent:** **** Mar. 30, 2010**

(54) **DOUGH DIVIDER-ROUNDER**

(76) Inventor: **King-Yuan Lin**, 4602 Brass Way,
Dallas, TX (US) 75236

(**) Term: **14 Years**

(21) Appl. No.: **29/314,014**

(22) Filed: **Feb. 26, 2009**

(51) **LOC (9) Cl.** **31-00**

(52) **U.S. Cl.** **D7/368**

(58) **Field of Classification Search** D7/368,
D7/669, 371-385; 99/486, 450.1, 472, 485;
425/193, 367, 298, 420, 364 R, 147, 332,
425/355, 365, 373, 153, 300, 416

See application file for complete search history.

(56) **References Cited**

U.S. PATENT DOCUMENTS

871,650 A	11/1907	Streich	
1,019,556 A	3/1912	Teichmann	
1,314,170 A	8/1919	Van Houten	
1,559,805 A	11/1925	Streich	
1,757,099 A	5/1930	Streich	
2,007,686 A	7/1935	Marasso	
2,104,432 A	1/1938	Marasso	
2,790,397 A	4/1957	Winkler	
2,858,775 A	11/1958	Marasso	
D214,210 S *	5/1969	Friedrichs D7/368
3,658,013 A	4/1972	Neumann et al.	
3,773,448 A	11/1973	Poot	
4,177,030 A	12/1979	Seiling	
4,368,019 A	1/1983	Thompson	
4,391,576 A	7/1983	Cummins	

D280,886 S *	10/1985	England, III D10/88
4,668,174 A	5/1987	Williams	
D294,448 S *	3/1988	Otto D7/368
5,269,674 A	12/1993	Skoog et al.	
5,277,569 A	1/1994	Anetsberger	
5,540,140 A	7/1996	Rubio et al.	
D373,503 S	9/1996	Cummins	
5,605,708 A	2/1997	Cumins et al.	
5,775,804 A	7/1998	Meier	
6,431,848 B1	8/2002	Petersen	
6,883,954 B2	4/2005	Rothammel et al.	
6,955,533 B2	10/2005	Morikawa	

* cited by examiner

Primary Examiner—Terry A Wallace

(74) *Attorney, Agent, or Firm*—Todd N. Hathaway

(57) **CLAIM**

The ornamental design for a dough divider-rounder, as shown and described.

DESCRIPTION

FIG. 1 is a left side elevational view of a dough divider-rounder showing my new design, with controls being shown in broken line image for understanding use thereof and not forming a part of the claimed design;

FIG. 2 is a front elevational view of the dough divider-rounder of FIG. 1;

FIG. 3 is a rear elevational view thereof;

FIG. 4 is a right-side elevational view thereof;

FIG. 5 is a top plan view thereof; and,

FIG. 6 is a bottom plan view thereof.

1 Claim, 4 Drawing Sheets

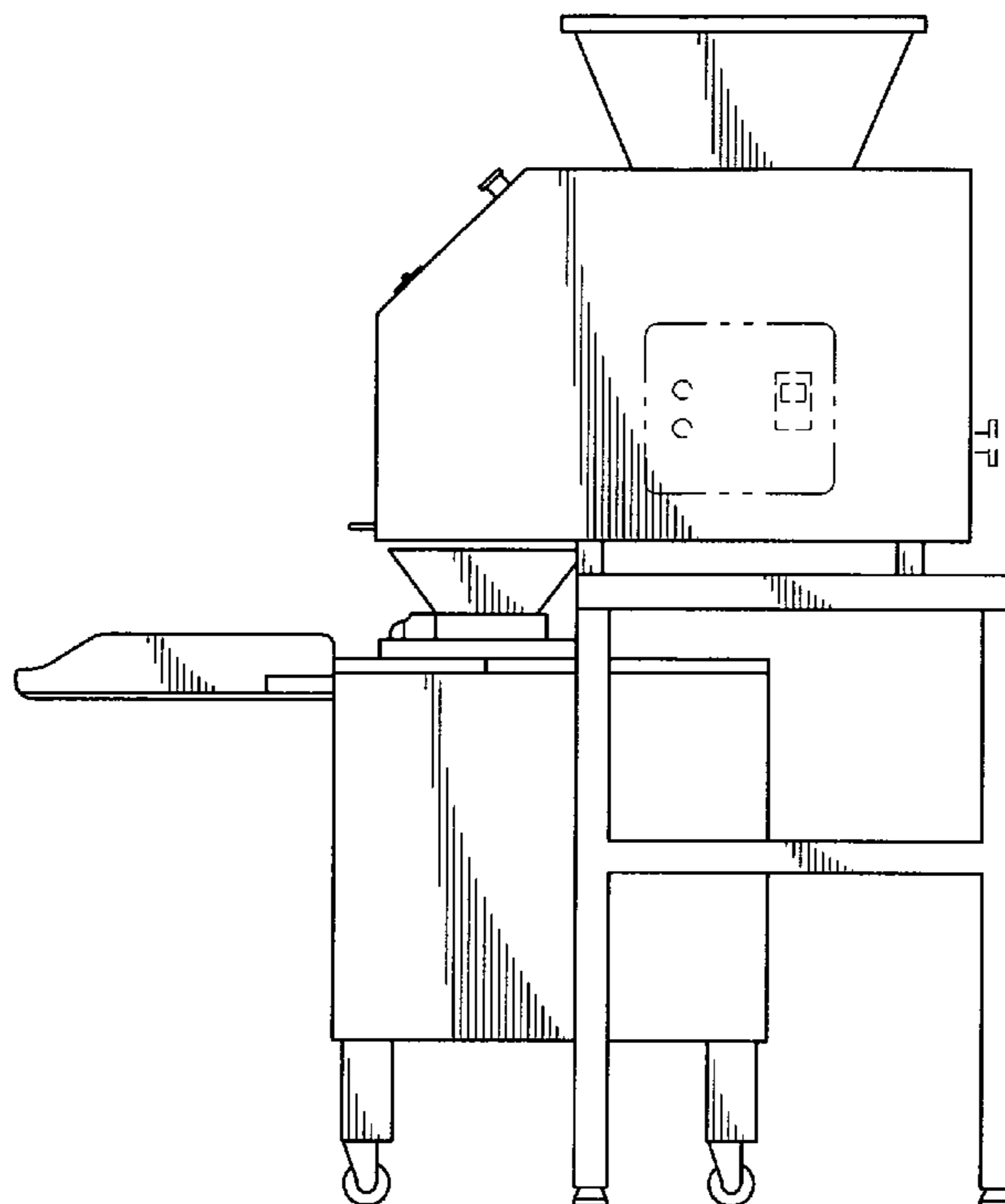


FIG. 1

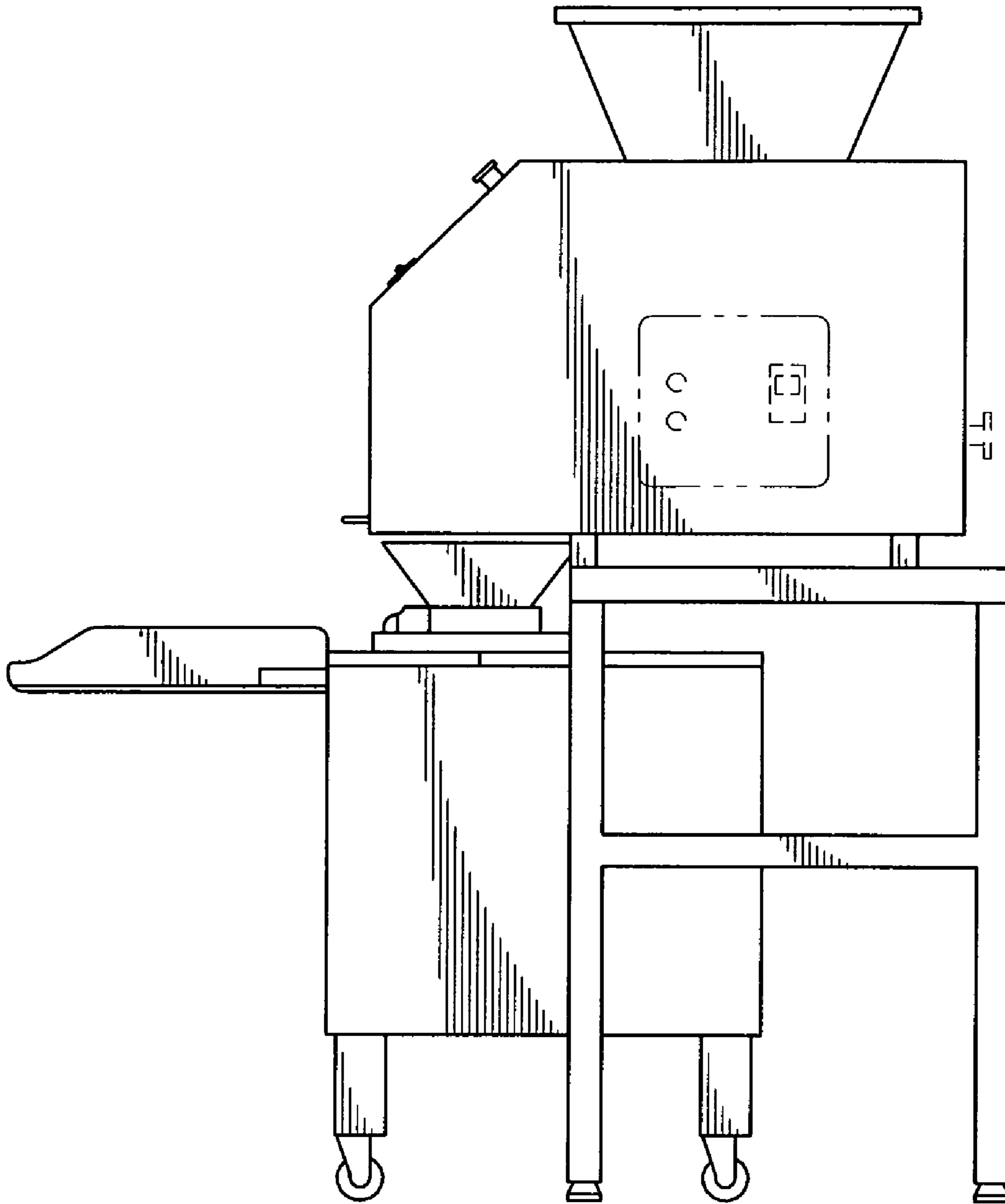


FIG. 2

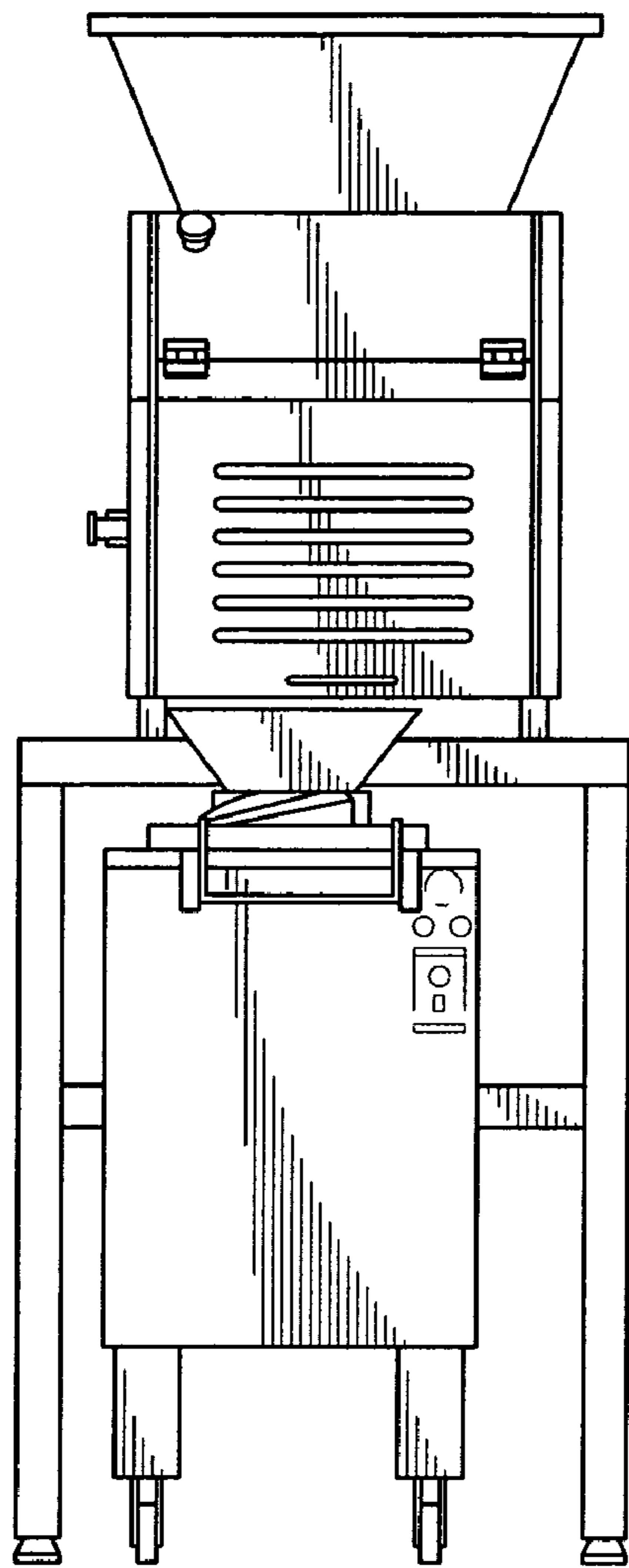


FIG. 3

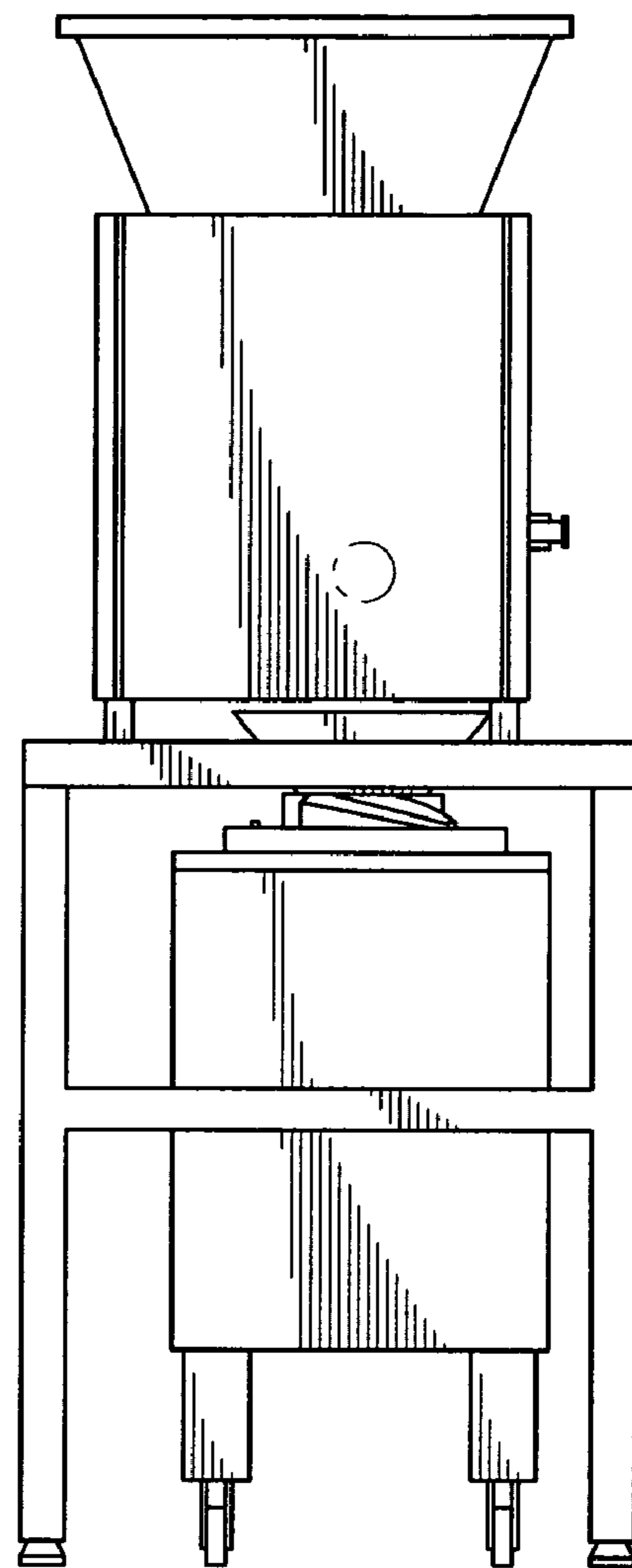


FIG. 4

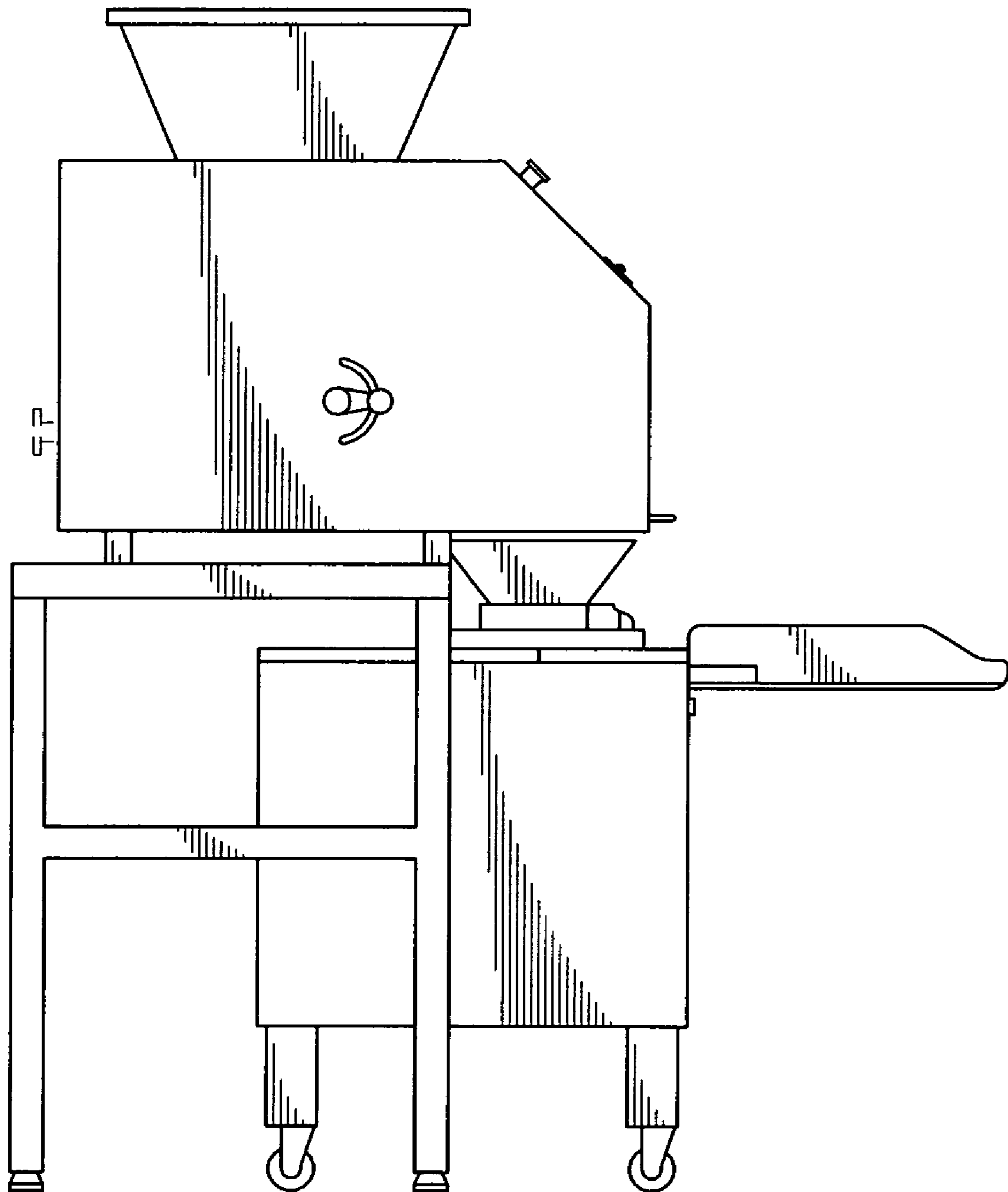


FIG. 5

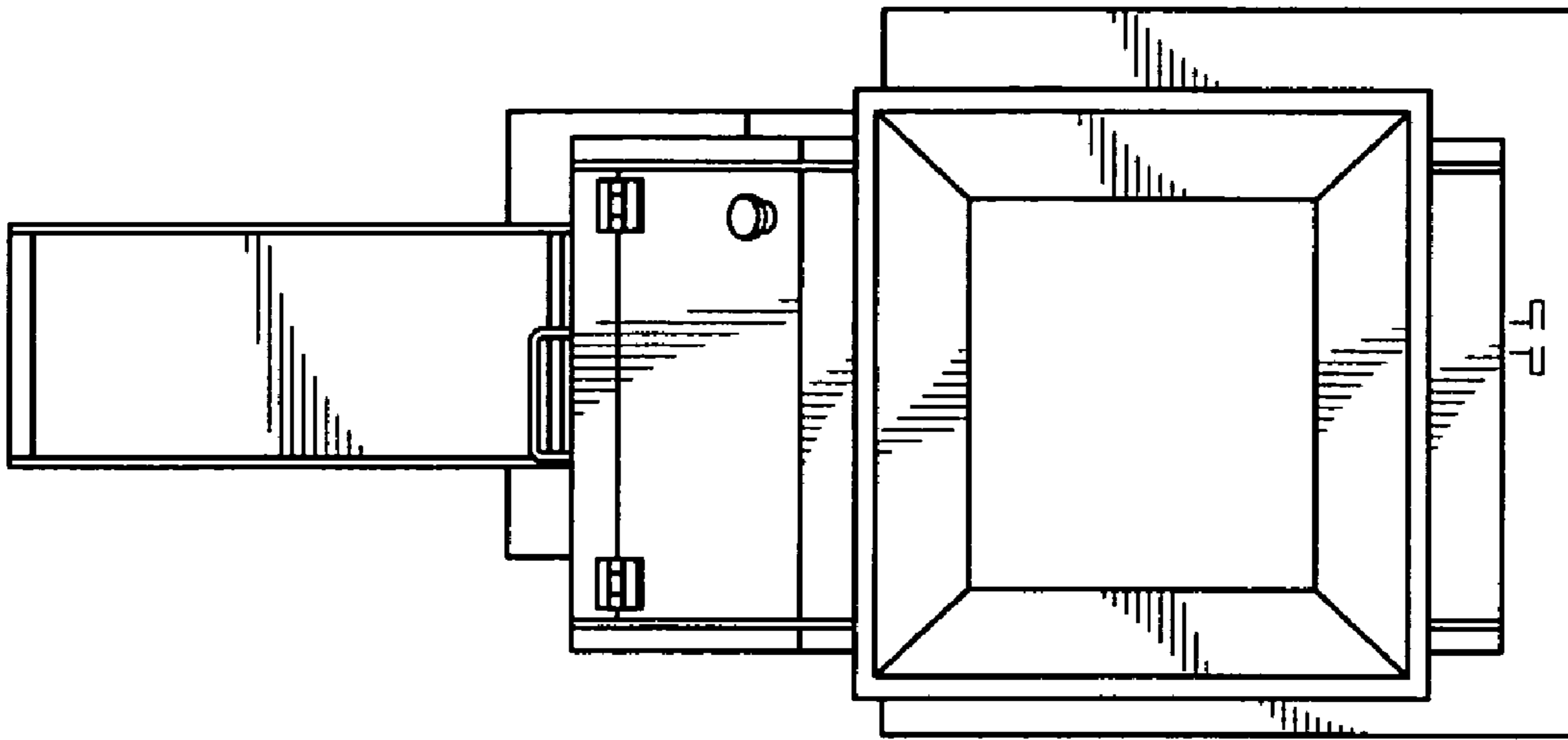


FIG. 6

