



US00D612665S

(12) **United States Design Patent**  
**Hillard et al.**

(10) **Patent No.:** **US D612,665 S**  
(45) **Date of Patent:** **\*\* Mar. 30, 2010**

(54) **PORTABLE STOVE**

(75) Inventors: **Jake L. Hillard**, Wichita, KS (US); **Kyle R. Penner**, Wichita, KS (US); **Clyde R. Schulte**, Wichita, KS (US); **Mary K. Richardson**, Viola, KS (US)

(73) Assignee: **The Coleman Company, Inc.**, Wichita, KS (US)

(\*\*) Term: **14 Years**

(21) Appl. No.: **29/329,901**

(22) Filed: **Dec. 23, 2008**

(51) **LOC (9) Cl.** ..... **07-02**

(52) **U.S. Cl.** ..... **D7/360**

(58) **Field of Classification Search** ..... D7/402,  
D7/403, 407, 409, 332, 337, 352, 355, 360,  
D7/367; 126/40, 43, 44, 50, 9 R, 25 A, 41 R;  
99/445, 448, 450, 372; 219/450.1, 524, 520,  
219/478, 451.1, 521, 452.11

See application file for complete search history.

(56) **References Cited**

**U.S. PATENT DOCUMENTS**

D435,755 S \* 1/2001 Deni ..... D7/352  
D446,074 S \* 8/2001 Barker ..... D7/352  
D450,977 S \* 11/2001 Lin ..... D7/352  
D504,047 S \* 4/2005 Schmidt et al. .... D7/352

D542,592 S \* 5/2007 Lubowicki ..... D7/362  
D575,577 S \* 8/2008 Chao ..... D7/360  
D578,822 S \* 10/2008 Colas ..... D7/337  
D580,210 S \* 11/2008 Chen ..... D7/337  
D590,205 S \* 4/2009 Tetreault et al. .... D7/360  
D591,553 S \* 5/2009 Garman et al. .... D7/363  
2009/0183727 A1 \* 7/2009 Chen ..... 126/25 R

\* cited by examiner

*Primary Examiner*—Ruth McInroy

(74) *Attorney, Agent, or Firm*—Kelly S. Elsea

(57) **CLAIM**

The ornamental design for a portable stove, as shown and described.

**DESCRIPTION**

FIG. 1 is a front side perspective view of our portable stove; FIG. 2 is a front elevation view thereof; FIG. 3 is a rear elevation view thereof; FIG. 4 is a left side elevation view thereof; FIG. 5 is a right side elevation view thereof; FIG. 6 is a top plan view thereof; and, FIG. 7 is a bottom plan view thereof.

The broken line showing is for illustrative purposes only and forms no part of the claimed design.

**1 Claim, 3 Drawing Sheets**

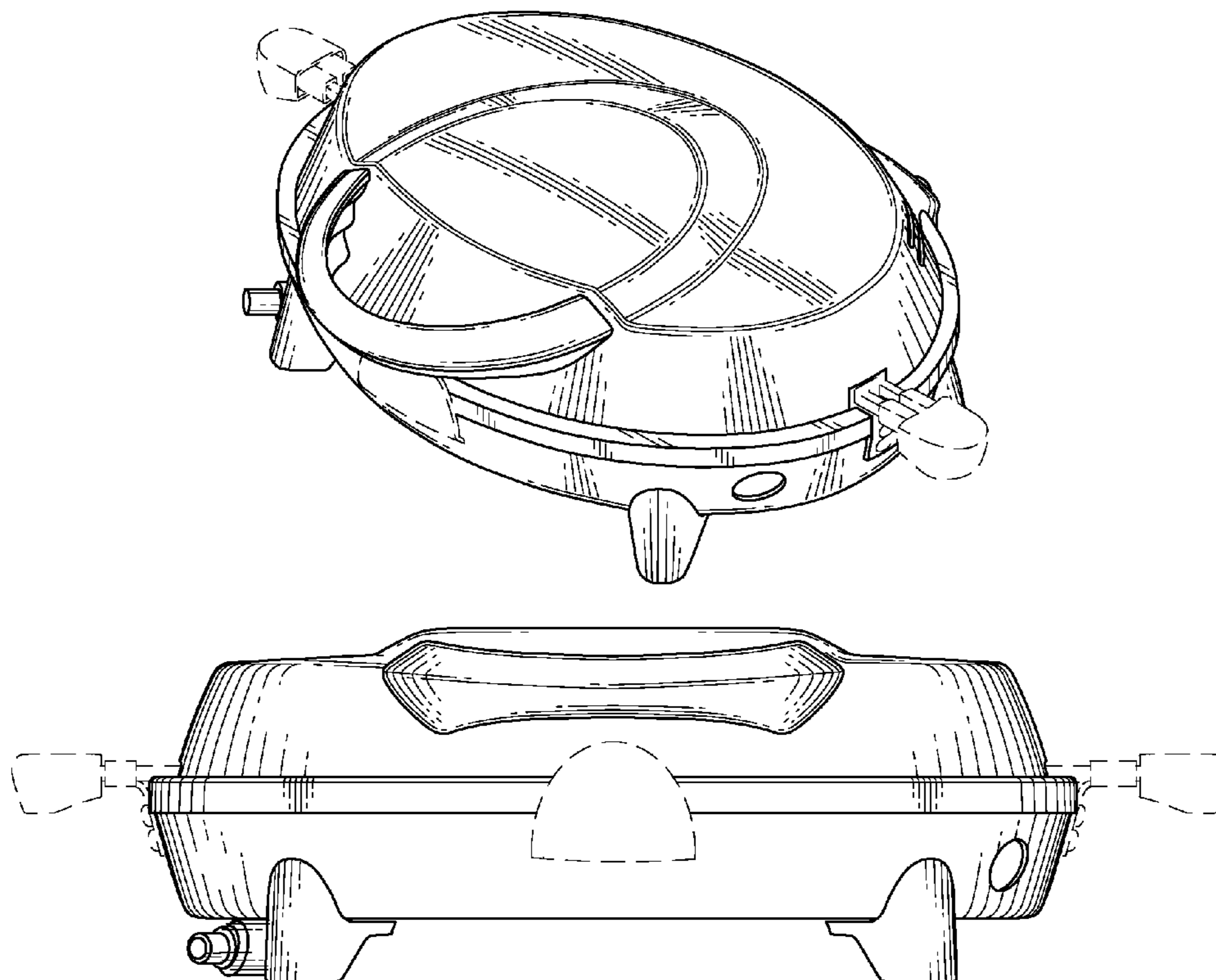


FIG. 1

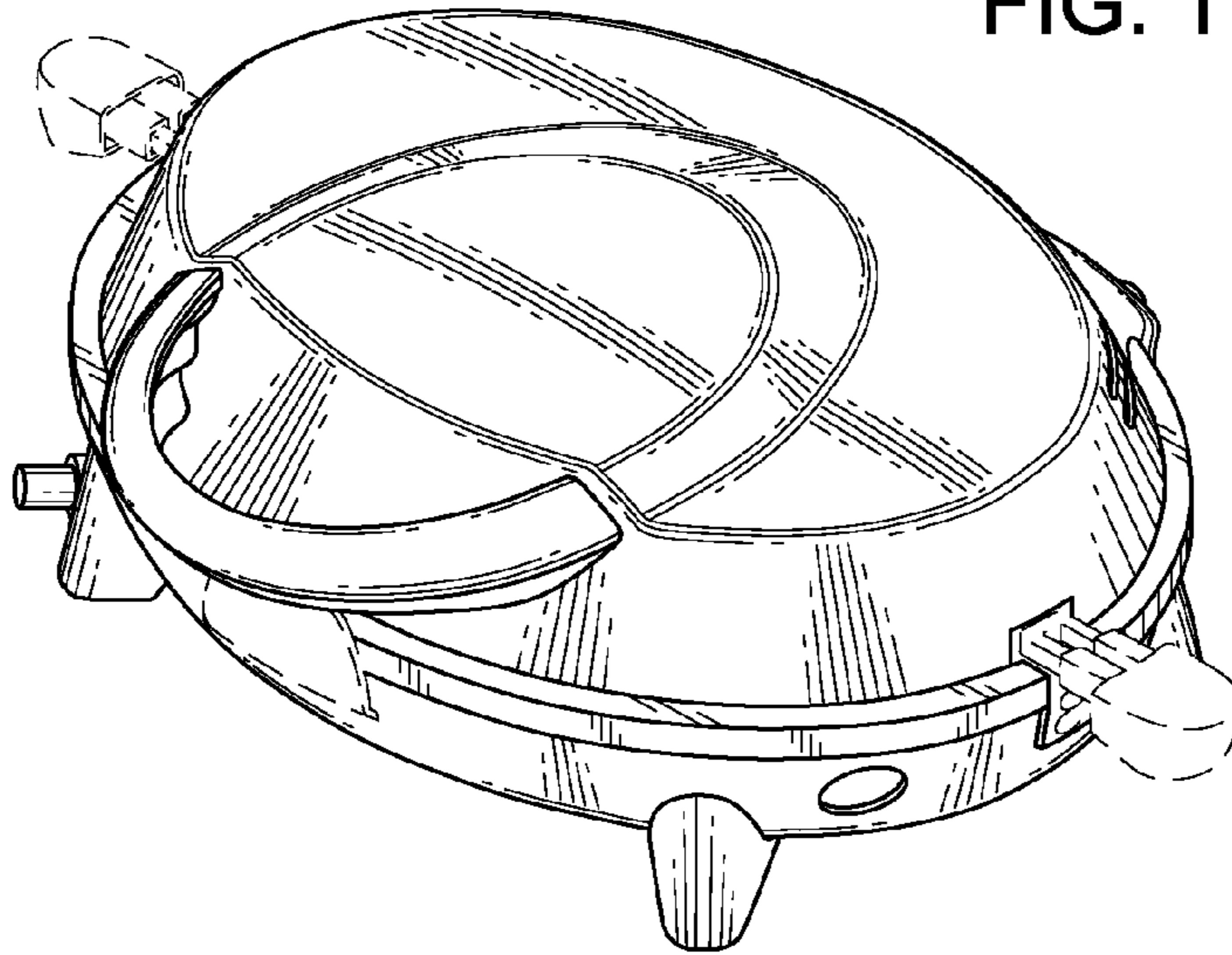


FIG. 2

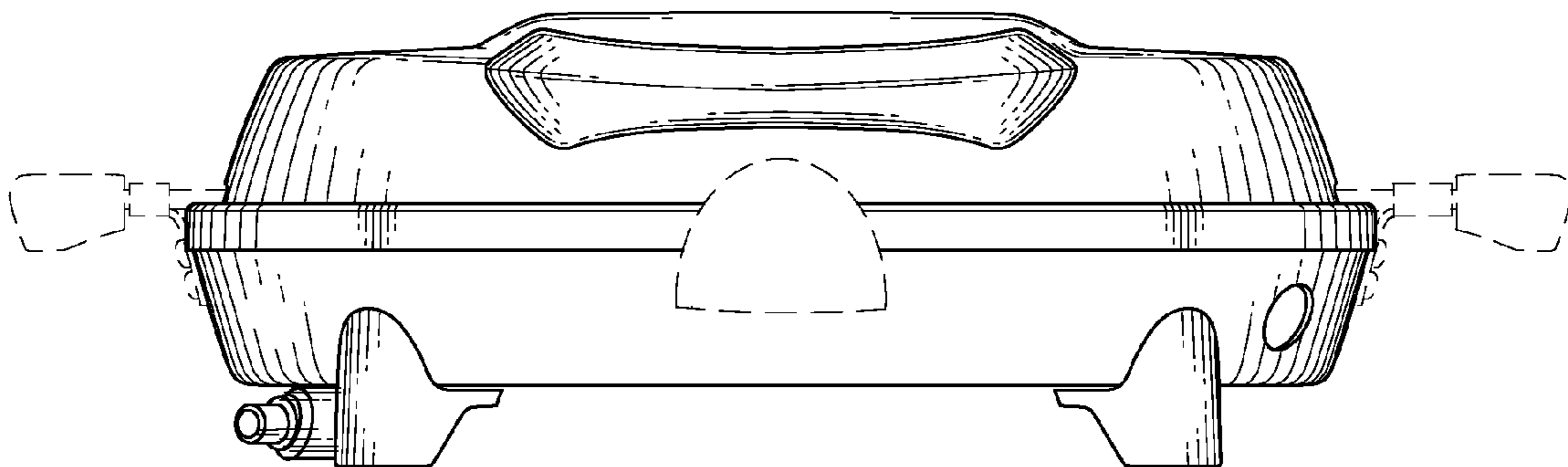


FIG. 3

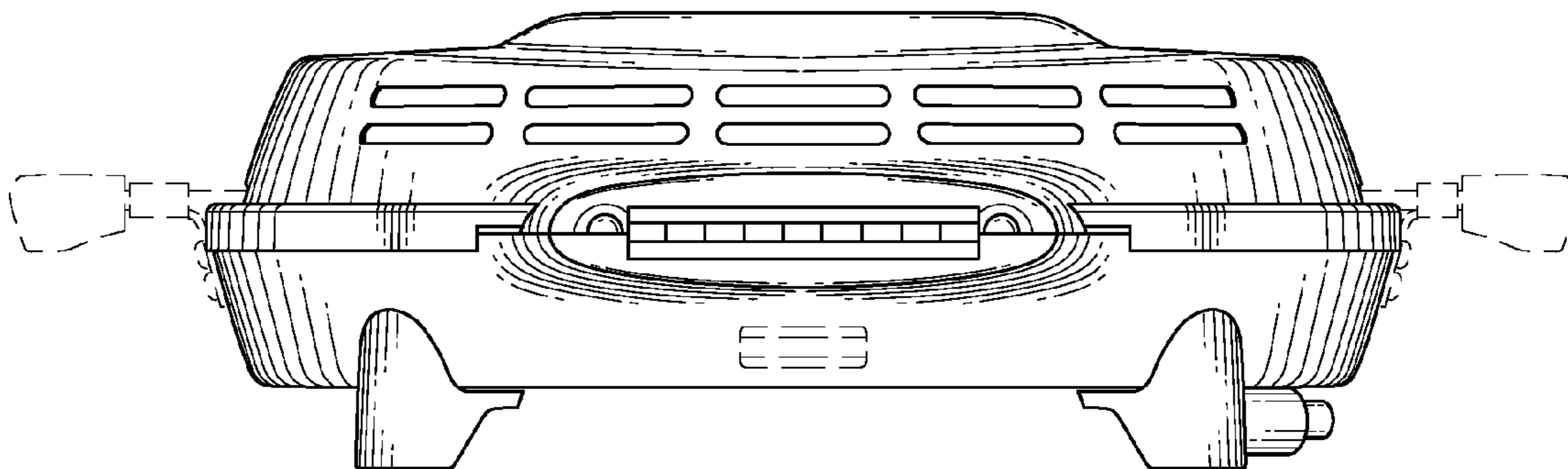


FIG. 4

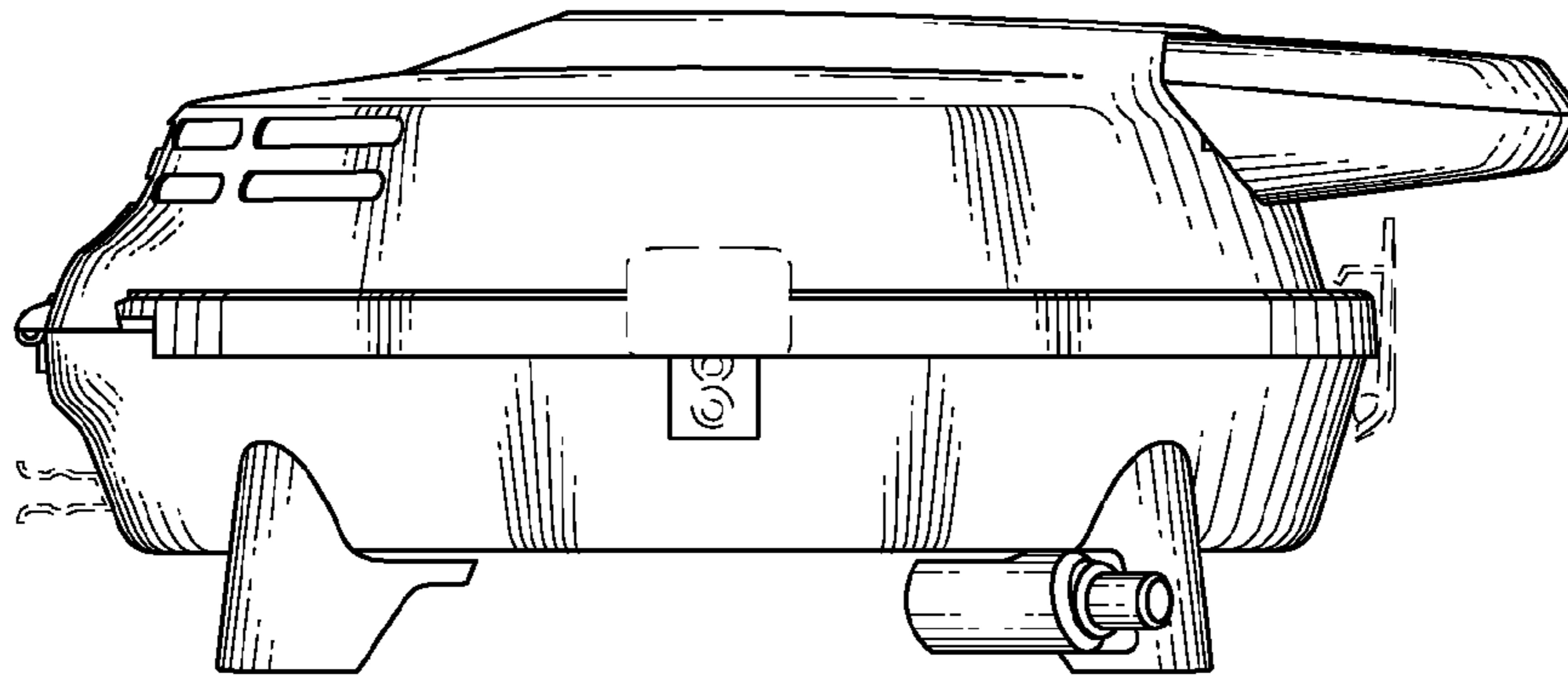


FIG. 5

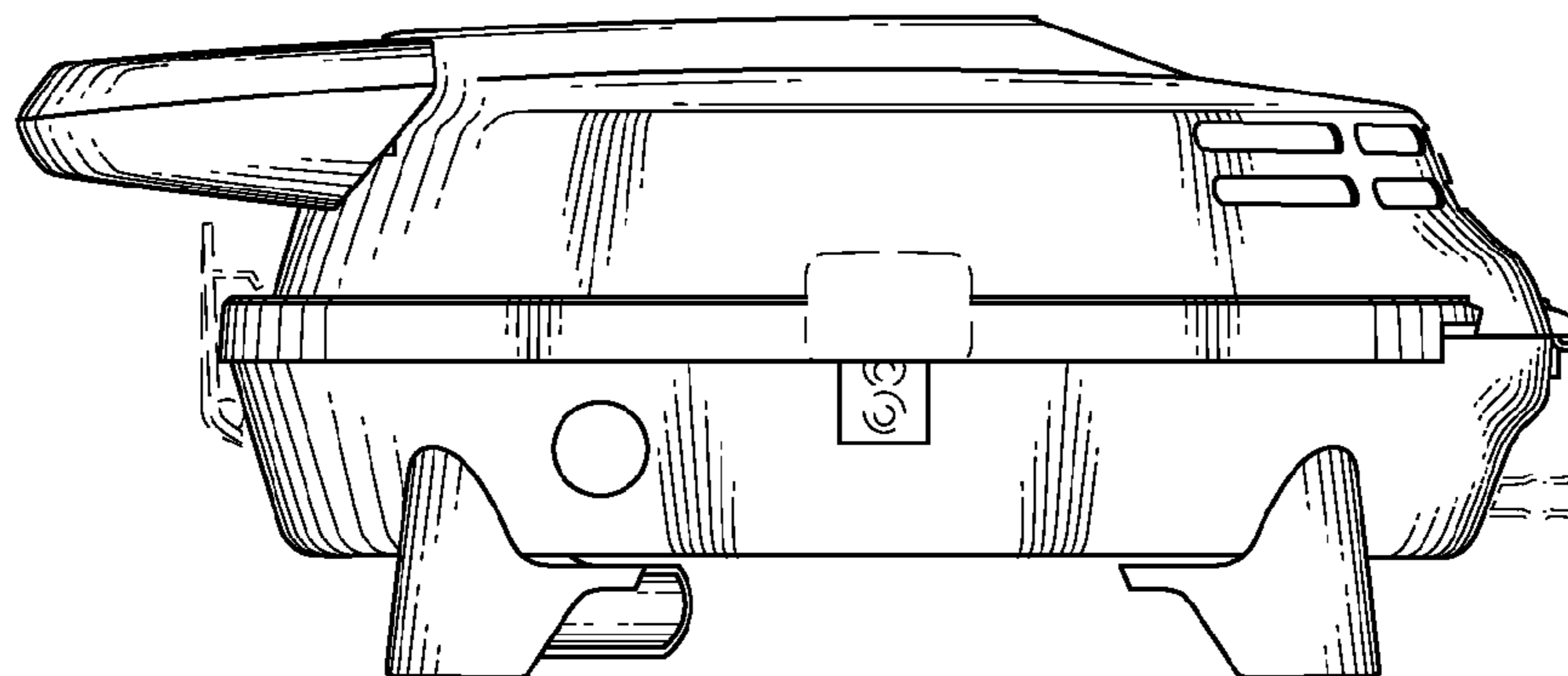




FIG. 6

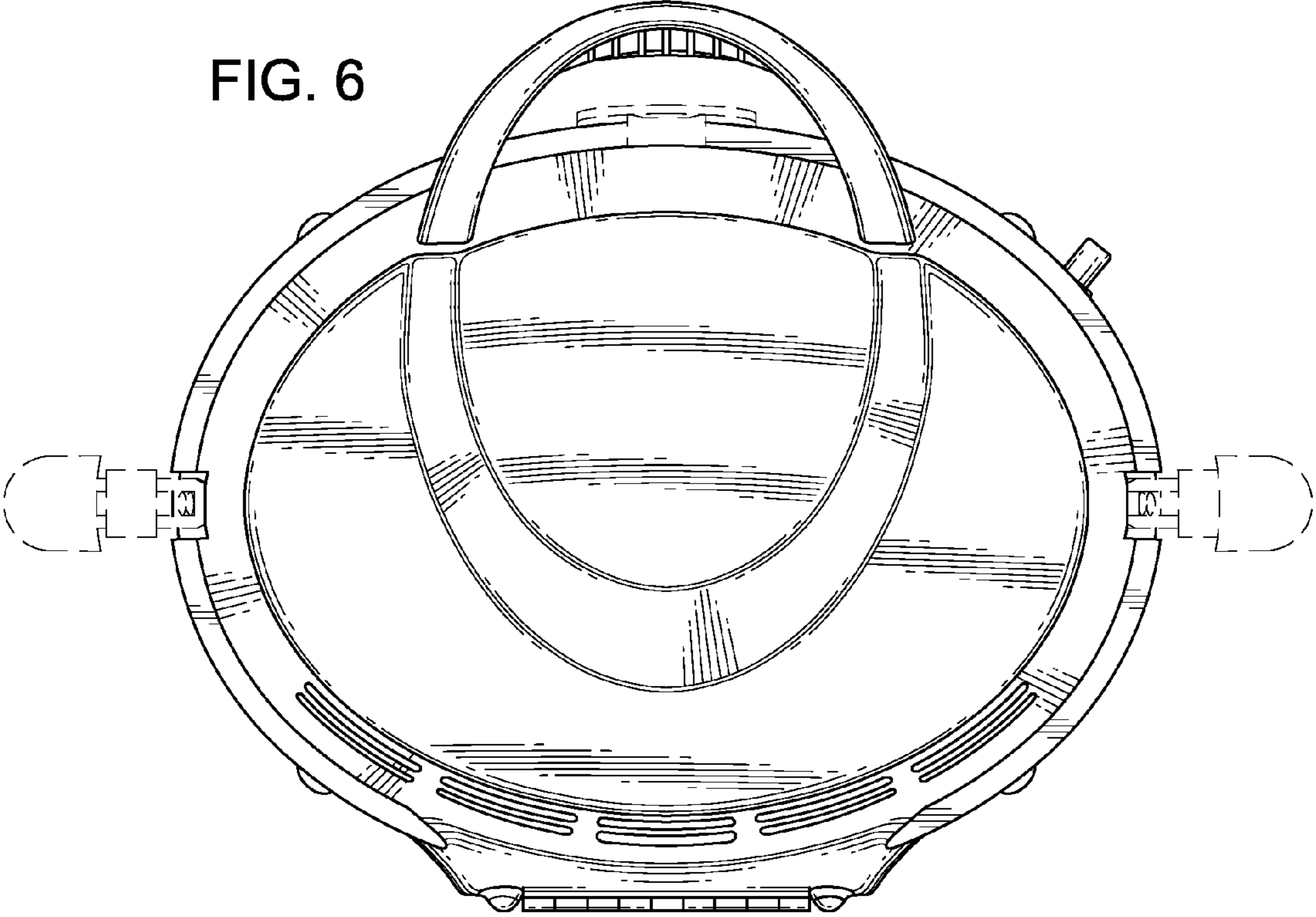


FIG. 7

