



US00D612664S

(12) **United States Design Patent**
Galperin

(10) **Patent No.:** **US D612,664 S**
(45) **Date of Patent:** **** Mar. 30, 2010**

(54) **RIM FOR BAKEWARE**
(75) Inventor: **Yury Galperin**, Northbrook, IL (US)
(73) Assignee: **WKI Holding Company, Inc.**,
Rosemont, IL (US)
(**) Term: **14 Years**
(21) Appl. No.: **29/305,237**
(22) Filed: **Mar. 16, 2008**

(51) **LOC (9) Cl.** **07-02**
(52) **U.S. Cl.** **D7/354**
(58) **Field of Classification Search** D7/323,
D7/354-361, 396.1, 38, 543-549, 550.1,
D7/551.1, 552.1, 553.2, 554.2, 560, 584-587,
D7/602; D9/414, 430, 434, 456, 745, 756,
D9/761; 99/324, 339, 422, 426, 432, 446,
99/448, 450; 219/732; 220/4.21, 573.1-573.4,
220/574, 600-60, 610, 669, 672-675, 912;
222/173; 249/66.1, 117, 119, 122-127, 155-156,
249/160; 294/167

See application file for complete search history.

(56) **References Cited**

U.S. PATENT DOCUMENTS

D45,893	S	*	6/1914	Sanford	D7/545
1,191,672	A	*	7/1916	Crosby	99/432
D52,627	S	*	11/1918	Beiswanger	D7/560
D52,726	S	*	12/1918	Beiswanger	D7/560
D52,816	S	*	12/1918	Beiswanger	D7/545
2,006,704	A	*	7/1935	Van Muffling	222/173
D178,985	S	*	10/1956	Block	D7/545
2,767,565	A	*	10/1956	Ernst	294/167
D312,024	S	*	11/1990	Antoni et al.	D7/545
5,004,882	A	*	4/1991	Nottingham et al.	219/732
D382,445	S	*	8/1997	Indekeu	D7/554.2
D417,367	S	*	12/1999	Laib	D7/602
D426,104	S	*	6/2000	Bradley	D7/359
D457,777	S	*	5/2002	Bradley	D7/354
D471,058	S	*	3/2003	Burton et al.	D7/354
D473,418	S	*	4/2003	Burton et al.	D7/354
D483,218	S	*	12/2003	Fino et al.	D7/360

D545,631	S	*	7/2007	Hayes et al.	D7/585
D547,597	S	*	7/2007	Levy et al.	D7/354
D559,031	S	*	1/2008	Piccirilli	D7/354
D572,077	S	*	7/2008	Duke	D7/387
D589,300	S	*	3/2009	Altiner et al.	D7/566
2002/0179612	A1	*	12/2002	Toussant	220/574
2004/0074902	A1	*	4/2004	Hayes et al.	220/4.21
2006/0278097	A1	*	12/2006	Piccirilli	99/422

* cited by examiner

Primary Examiner—Caron Veynar

Assistant Examiner—Ricky Pham

(74) *Attorney, Agent, or Firm*—McDermott, Will & Emery LLP

(57) **CLAIM**

I claim the ornamental design for a rim for bakeware, as shown and described.

DESCRIPTION

FIG. 1 is a perspective view of a rim for bakeware according to the new design;

FIG. 2 is a top view of the rim for bakeware shown in FIG. 1;

FIG. 3 is a cross-sectional view of the rim for bakeware shown in FIG. 1 as taken through line 3—3;

FIG. 4 is a perspective view of a rim for bakeware showing a second embodiment of the new design;

FIG. 5 is a top view of the rim for bakeware shown in FIG. 4;

FIG. 6 is a cross-sectional view of the rim for bakeware shown in FIG. 4 as taken through line 6—6;

FIG. 7 is a perspective view of a rim for bakeware showing a third embodiment of the new design;

FIG. 8 is a top view of the rim for bakeware shown in FIG. 7;

FIG. 9 is a cross-sectional view of the rim for bakeware shown in FIG. 7 as taken through line 9—9;

FIG. 10 is a perspective view of a rim for bakeware showing a fourth embodiment of the new design;

FIG. 11 is a top view of the rim for bakeware shown in FIG. 10;

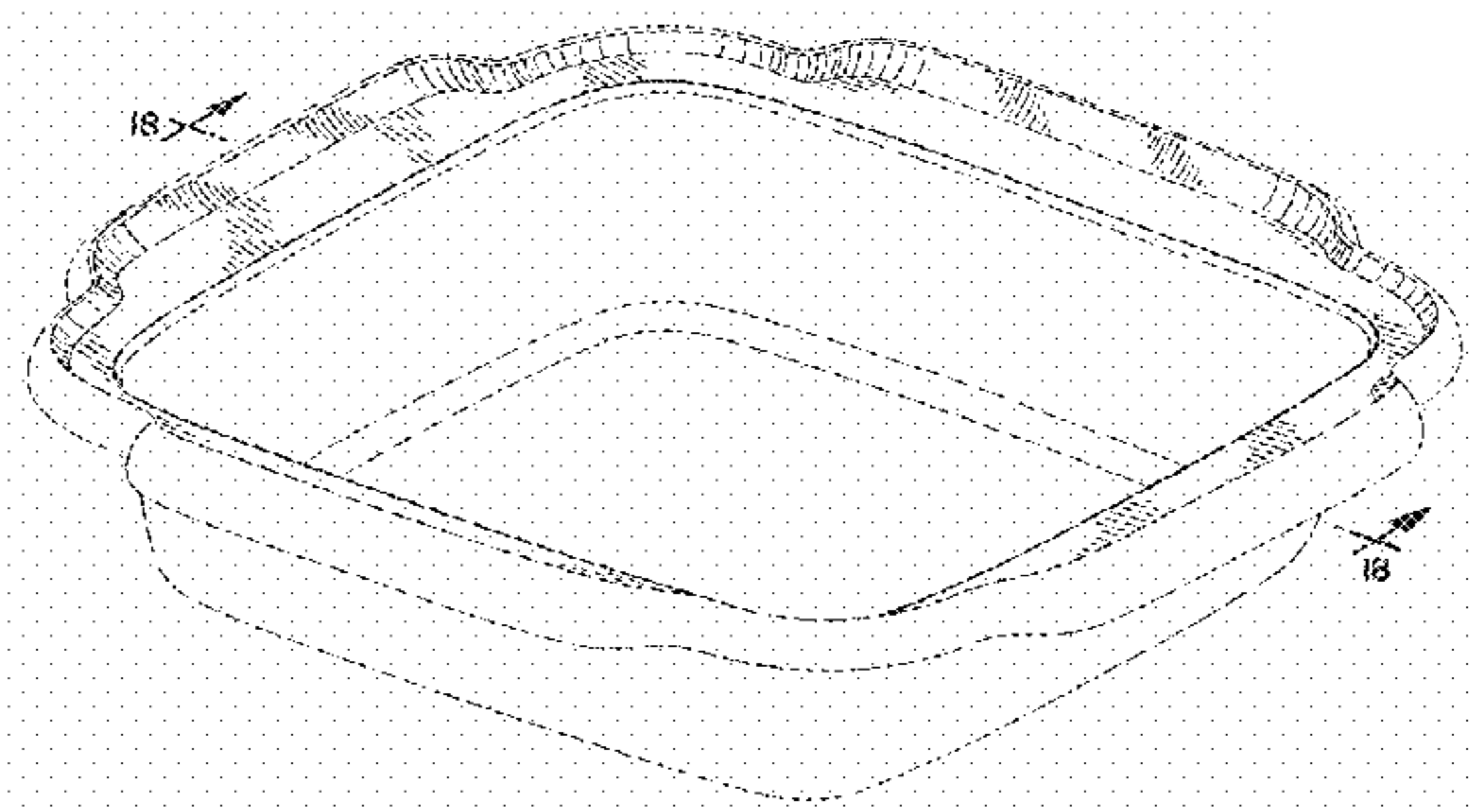
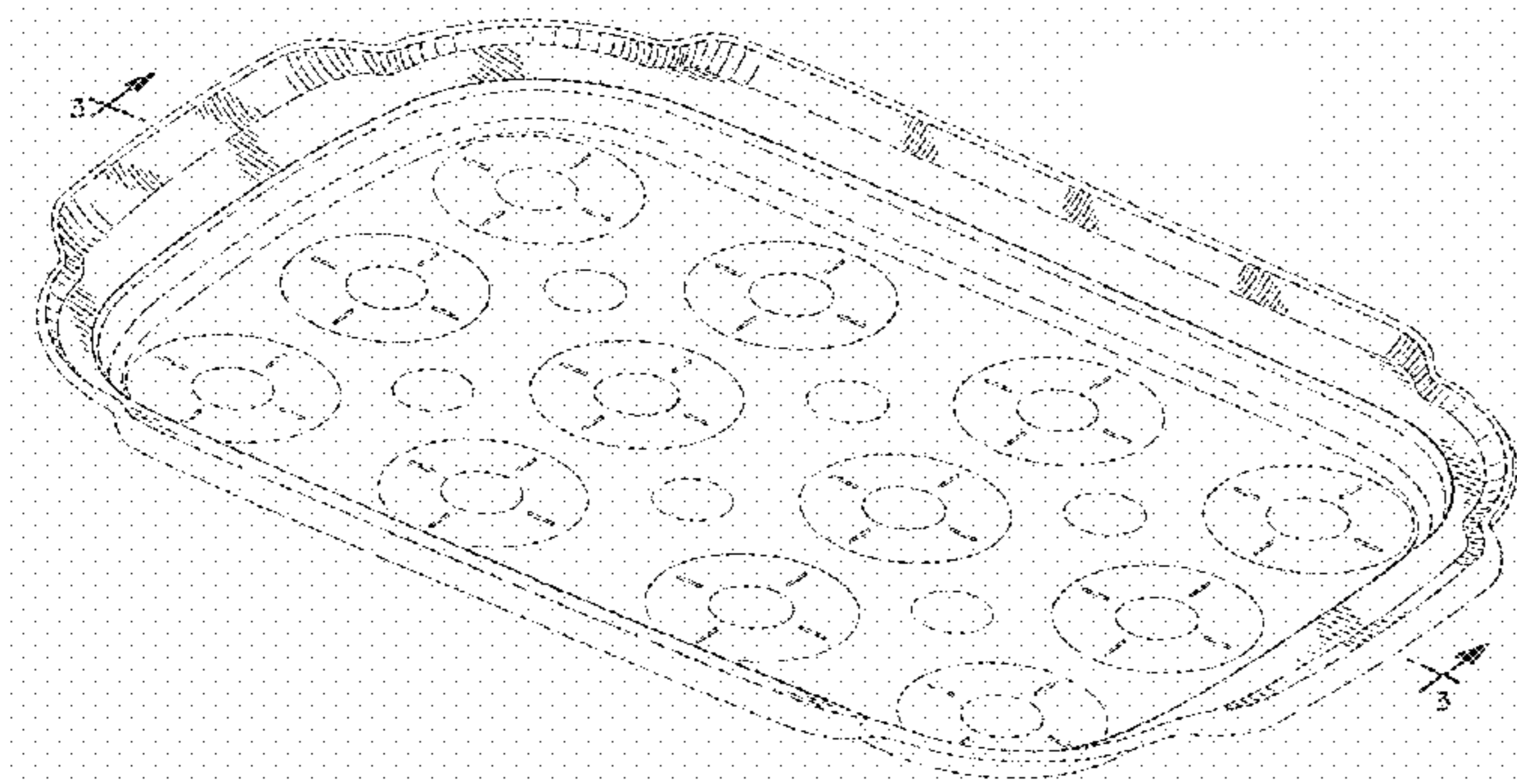


FIG. 12 is a cross-sectional view of the rim for bakeware shown in FIG. 10 as taken through line 12—12;

FIG. 13 is a perspective view of a rim for bakeware showing a fifth embodiment of the new design;

FIG. 14 is a top view of the rim for bakeware shown in FIG. 13;

FIG. 15 is a cross-sectional view of the rim for bakeware shown in FIG. 13 as taken through line 15—15;

FIG. 16 is a perspective view of a rim for bakeware showing a sixth embodiment of the new design;

FIG. 17 is a top view of the rim for bakeware shown in FIG. 16;

FIG. 18 is a cross-sectional view of the rim for bakeware shown in FIG. 16 as taken through line 18—18;

FIG. 19 is a perspective view of a rim for bakeware showing a seventh embodiment of the new design;

FIG. 20 is a top view of the rim for bakeware shown in FIG. 19;

FIG. 21 is a cross-sectional view of the rim for bakeware shown in FIG. 19 as taken through line 21—21;

FIG. 22 is a perspective view of a rim for bakeware showing a eighth embodiment of the new design;

FIG. 23 is a top view of the rim for bakeware shown in FIG. 22;

FIG. 24 is a cross-sectional view of the rim for bakeware shown in FIG. 22 as taken through line 24—24;

FIG. 25 is a perspective view of a rim for bakeware showing a ninth embodiment of the new design;

FIG. 26 is a top view of the rim for bakeware shown in FIG. 25; and,

FIG. 27 is a cross-sectional view of the rim for bakeware shown in FIG. 25 as taken through line 27—27.

Features shown in broken lines in the drawings are for illustrative purposes only and form no part of the claimed design.

1 Claim, 16 Drawing Sheets

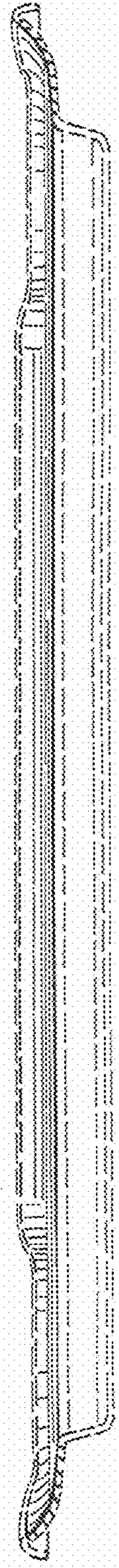
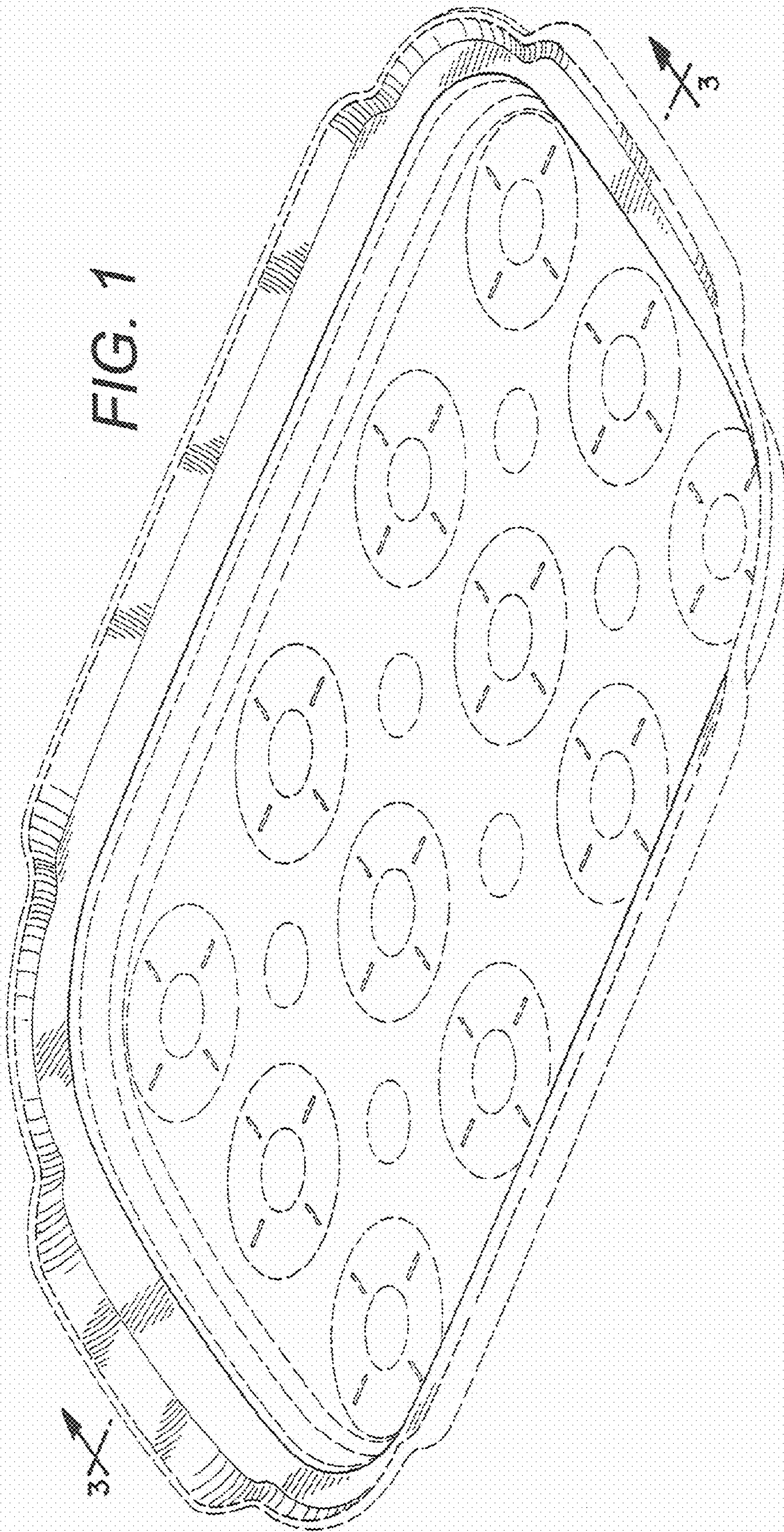


FIG. 3

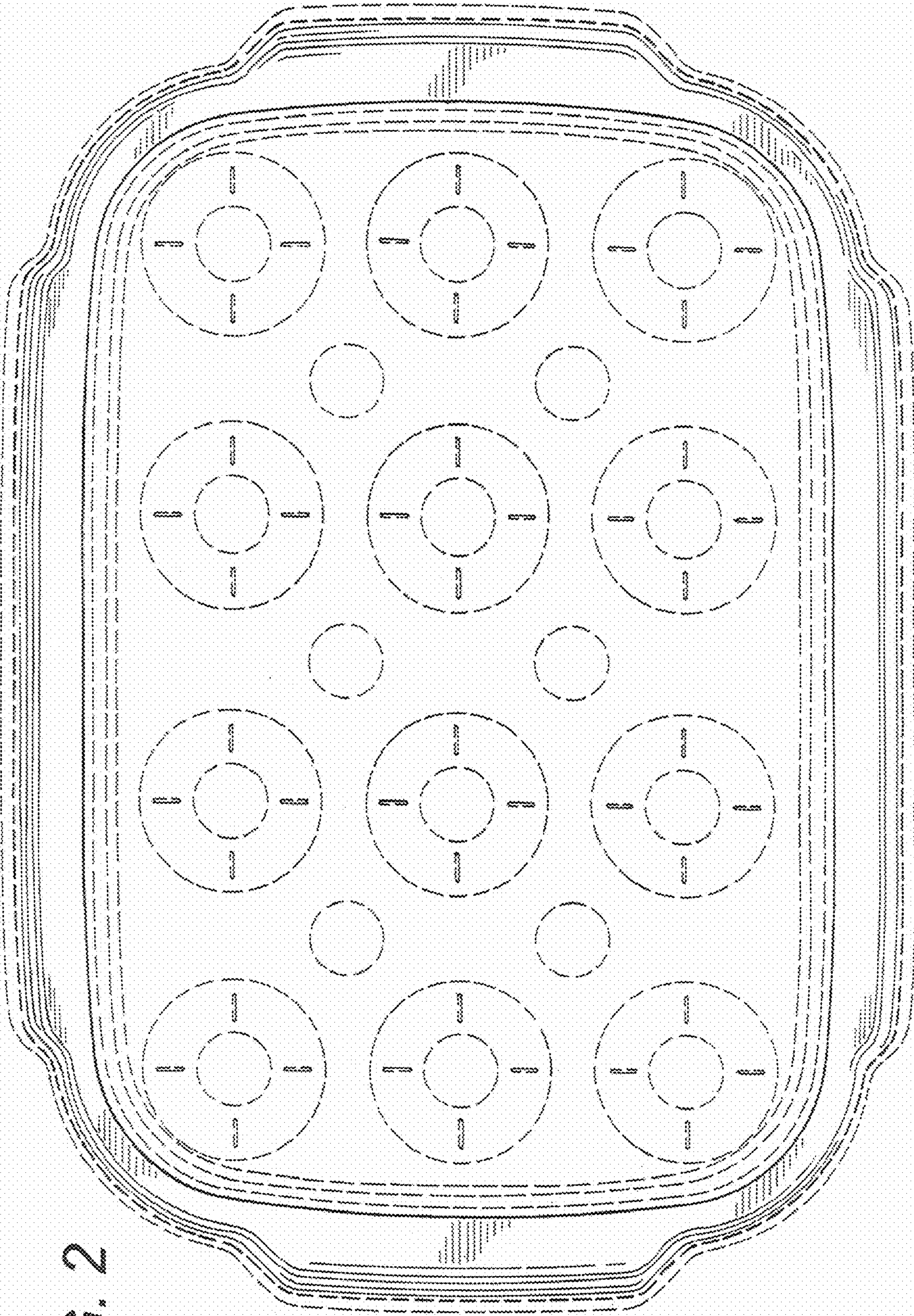


FIG. 2

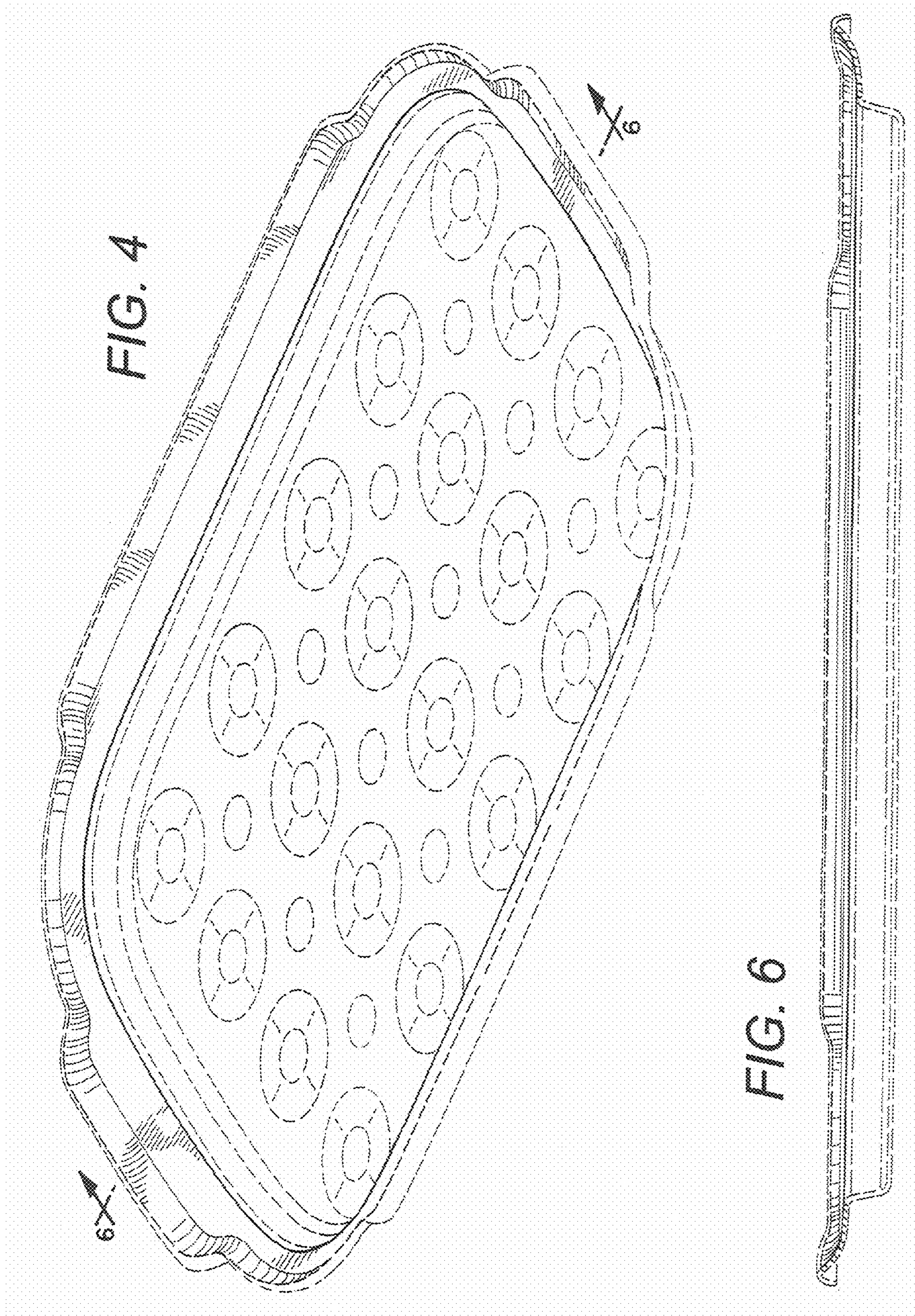


FIG. 4

FIG. 6

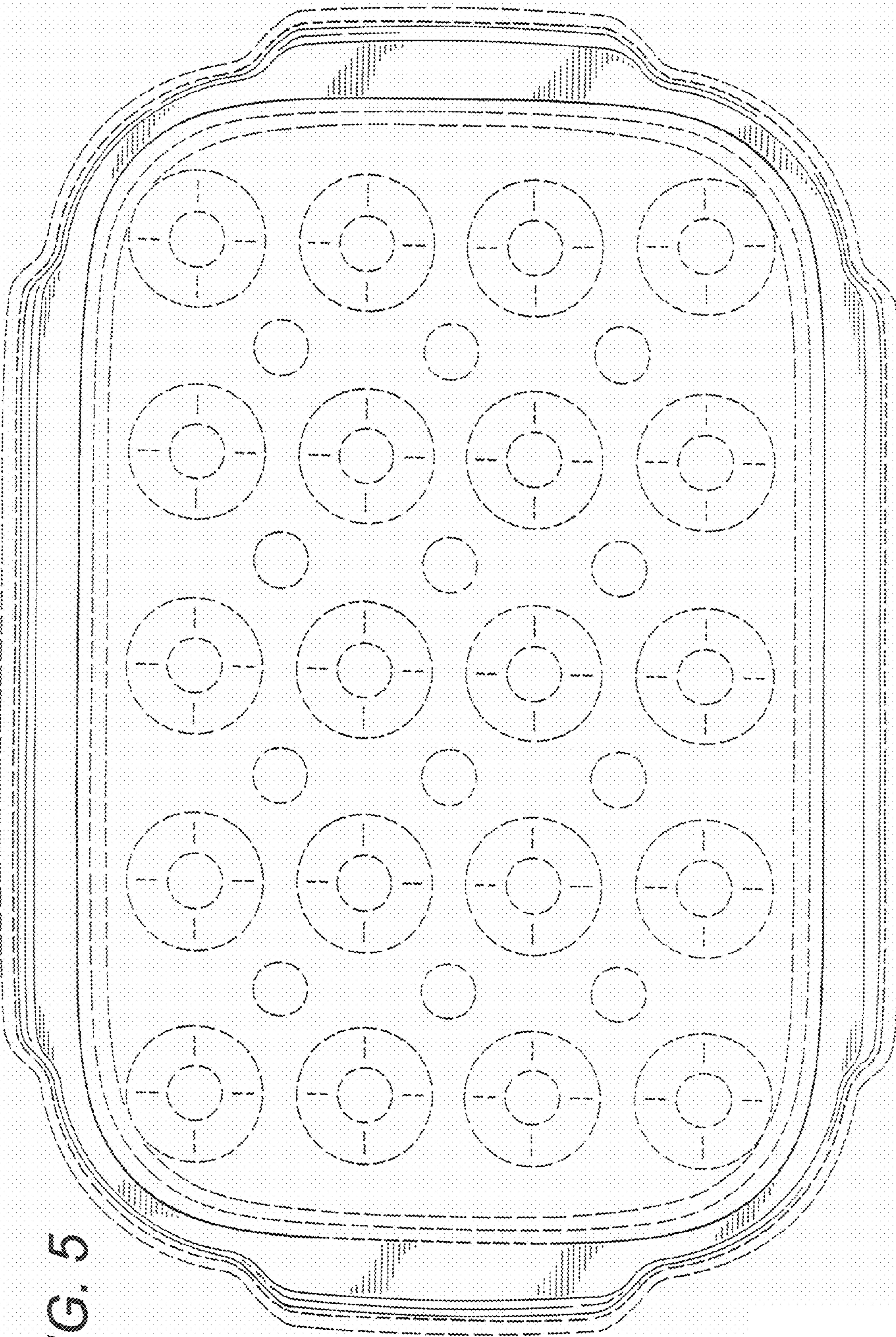


FIG. 5

FIG. 7

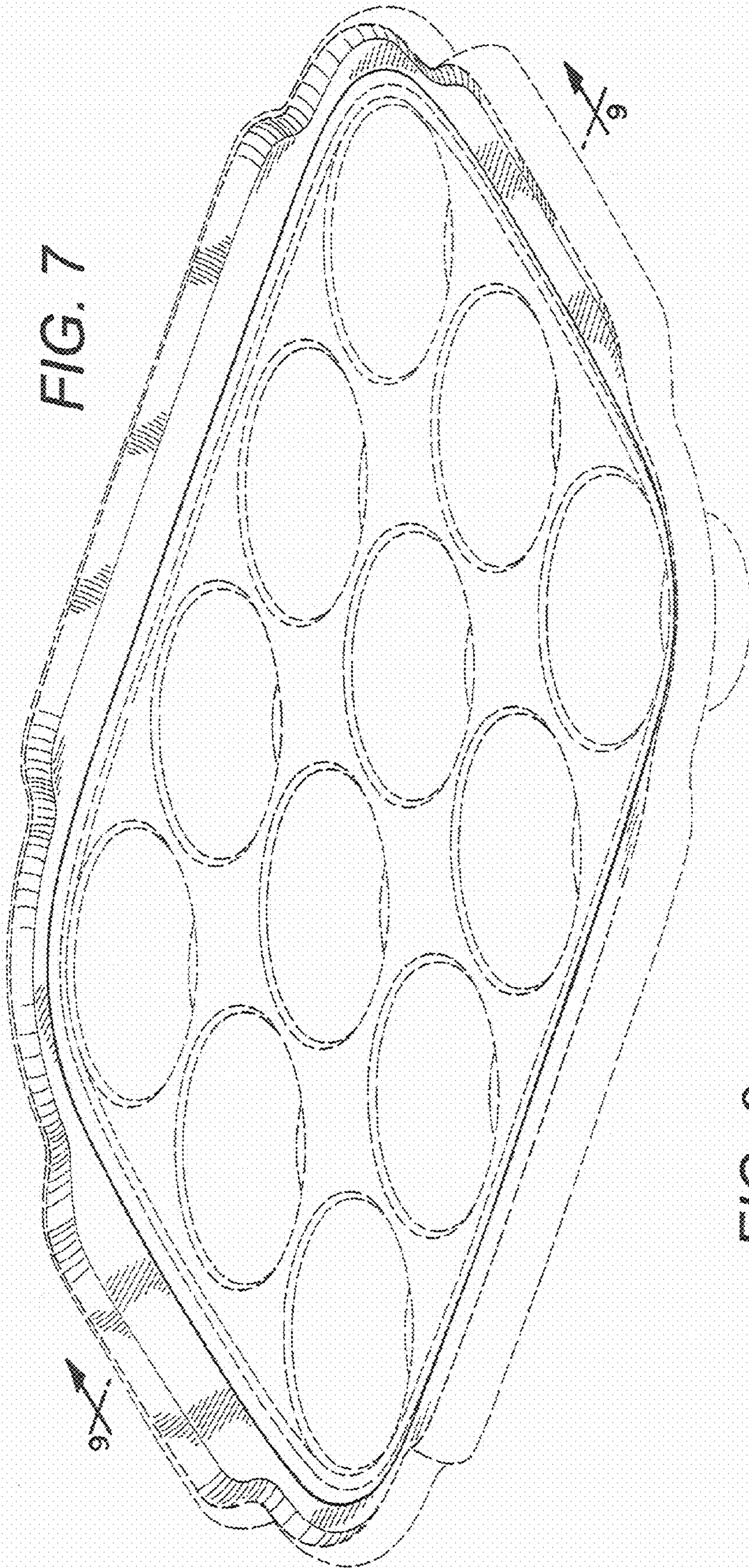
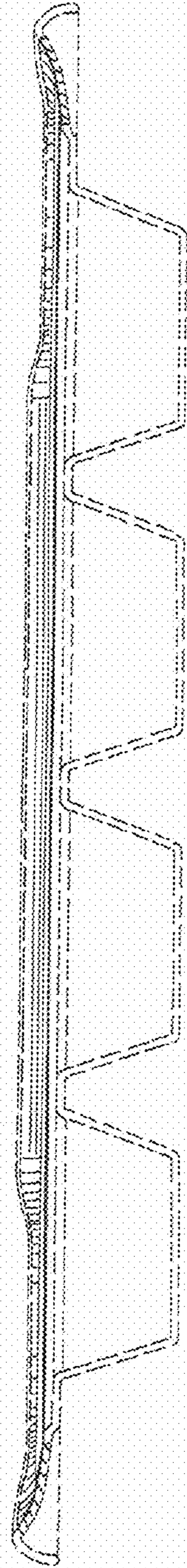


FIG. 9



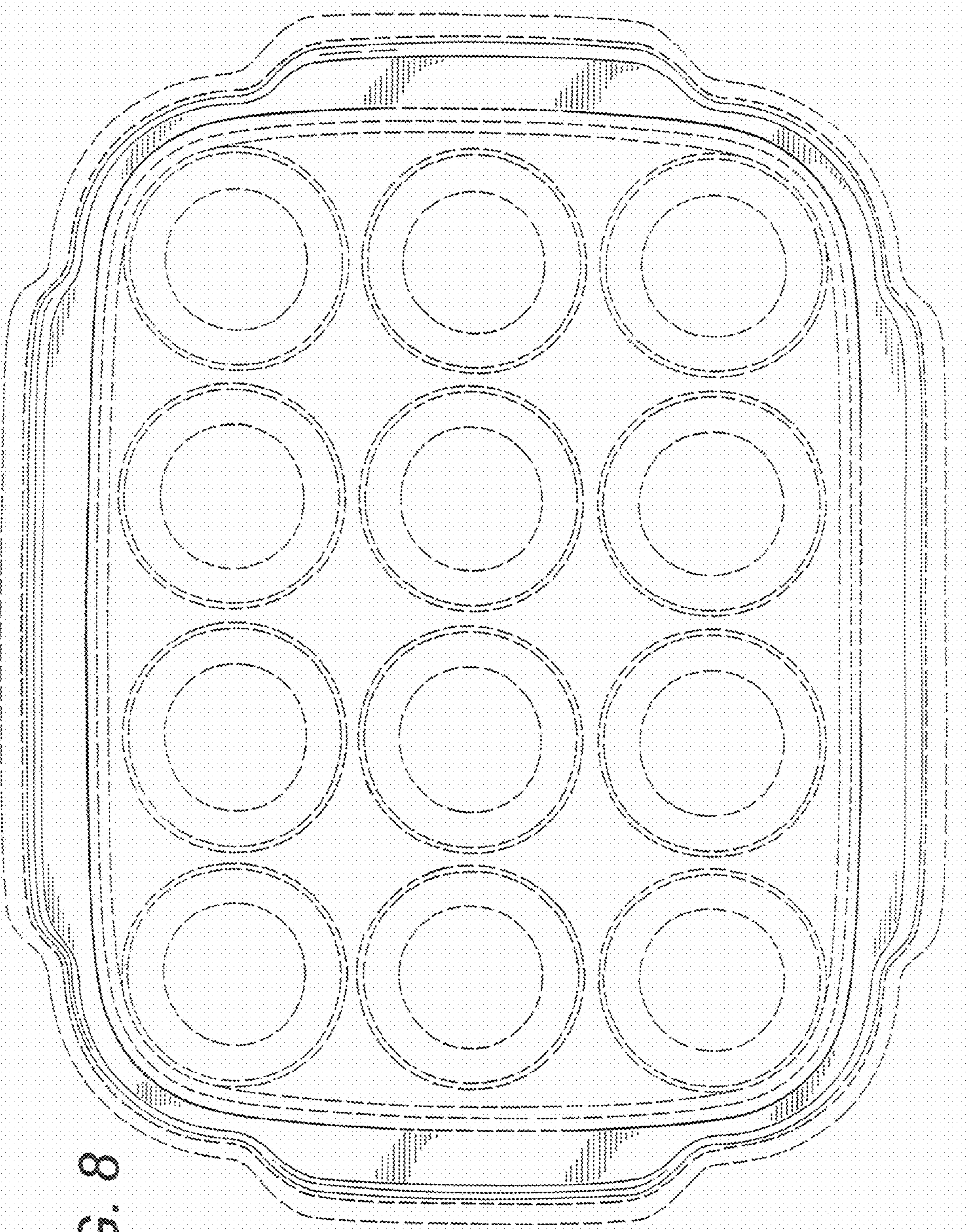


FIG. 8

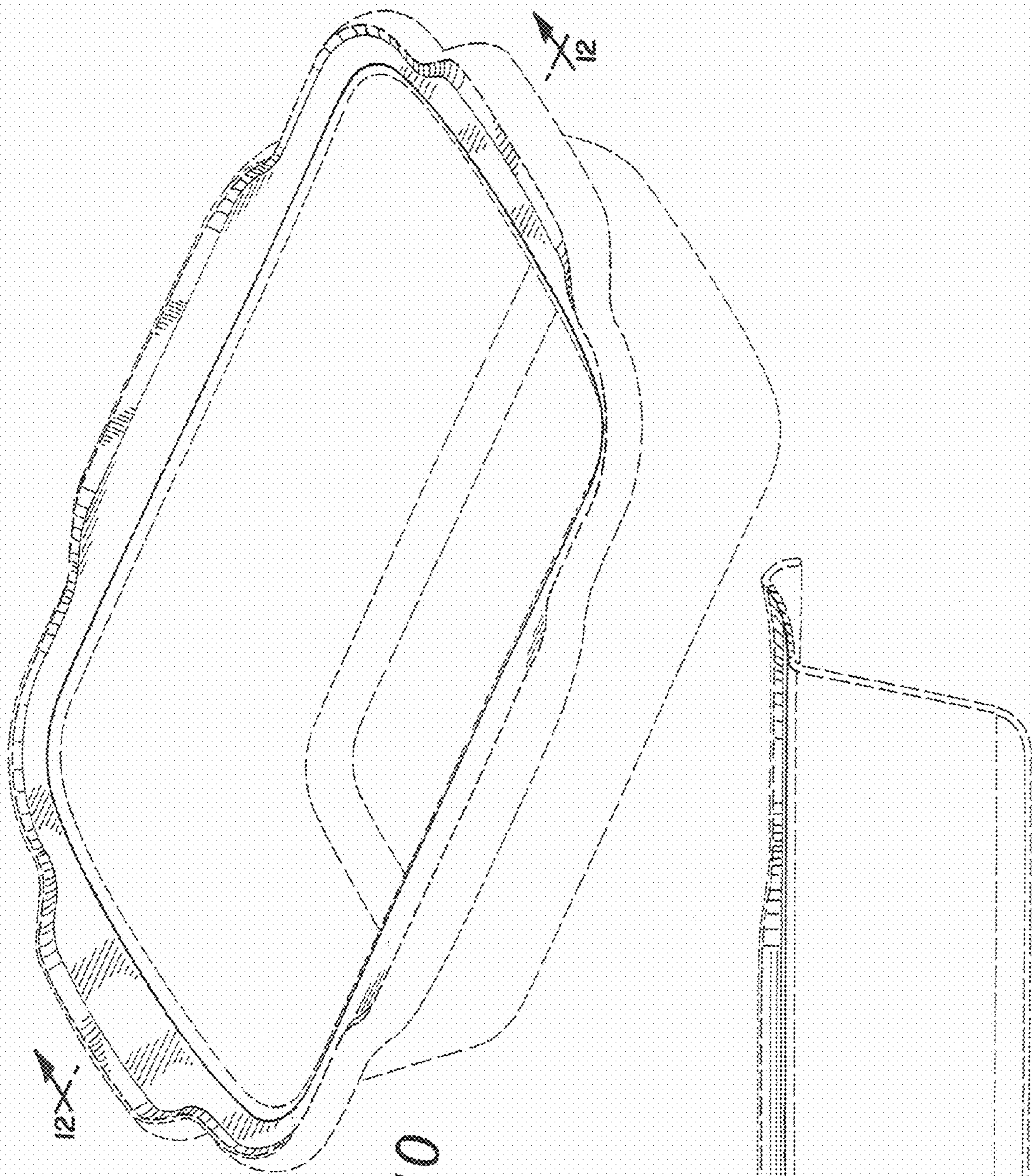


FIG. 10

FIG. 12

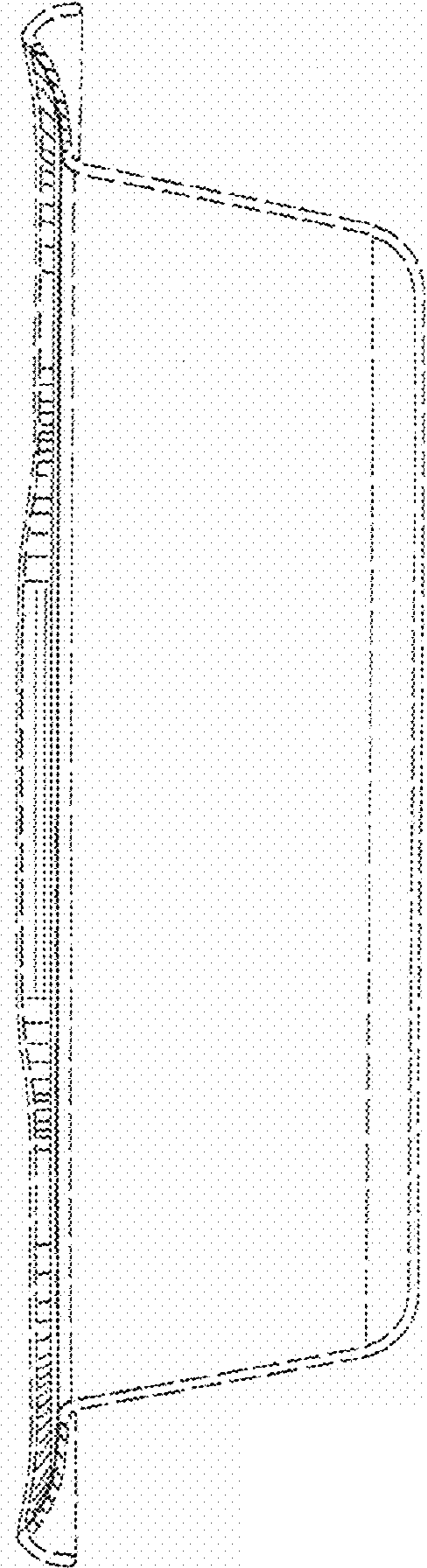
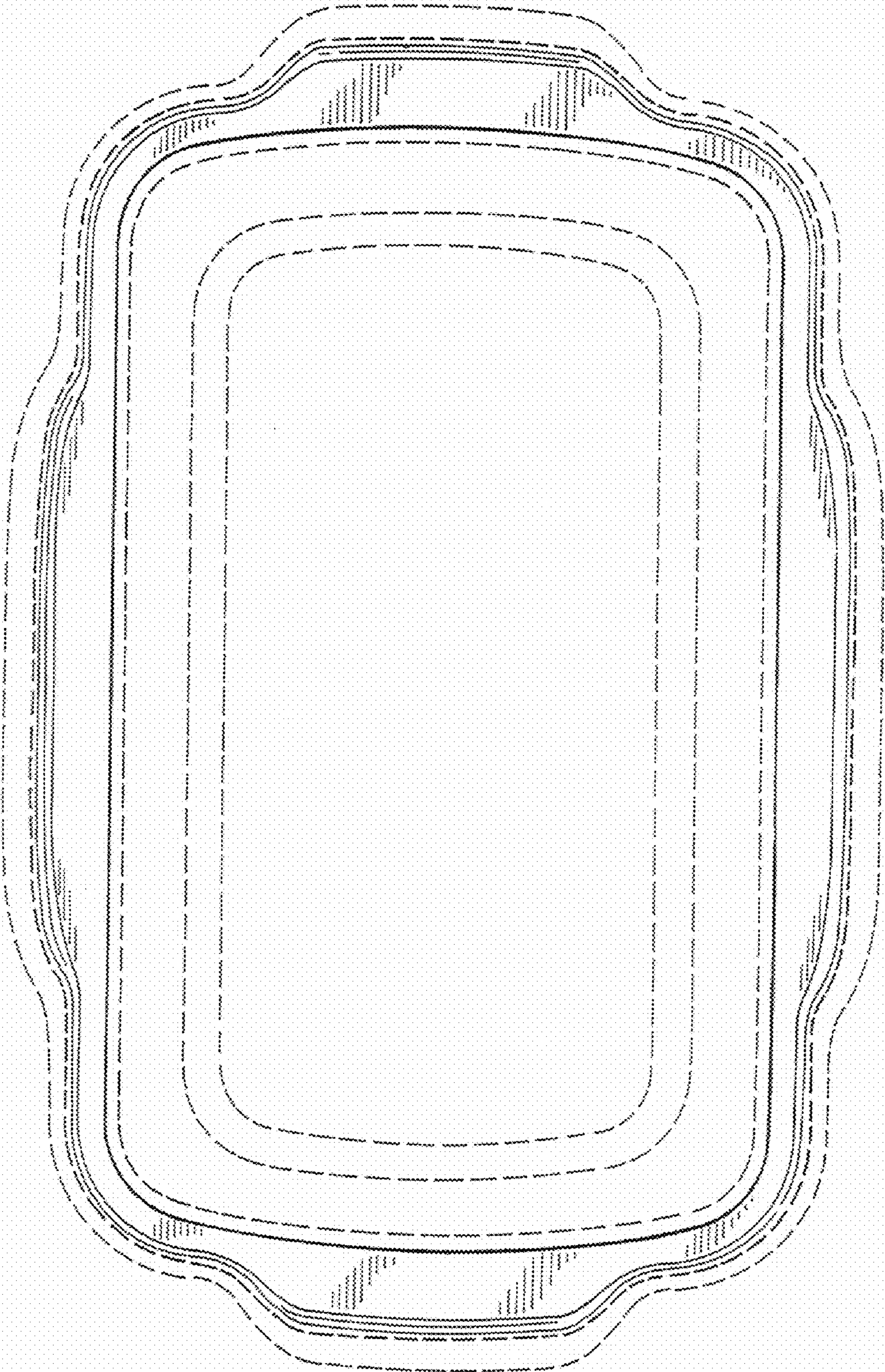
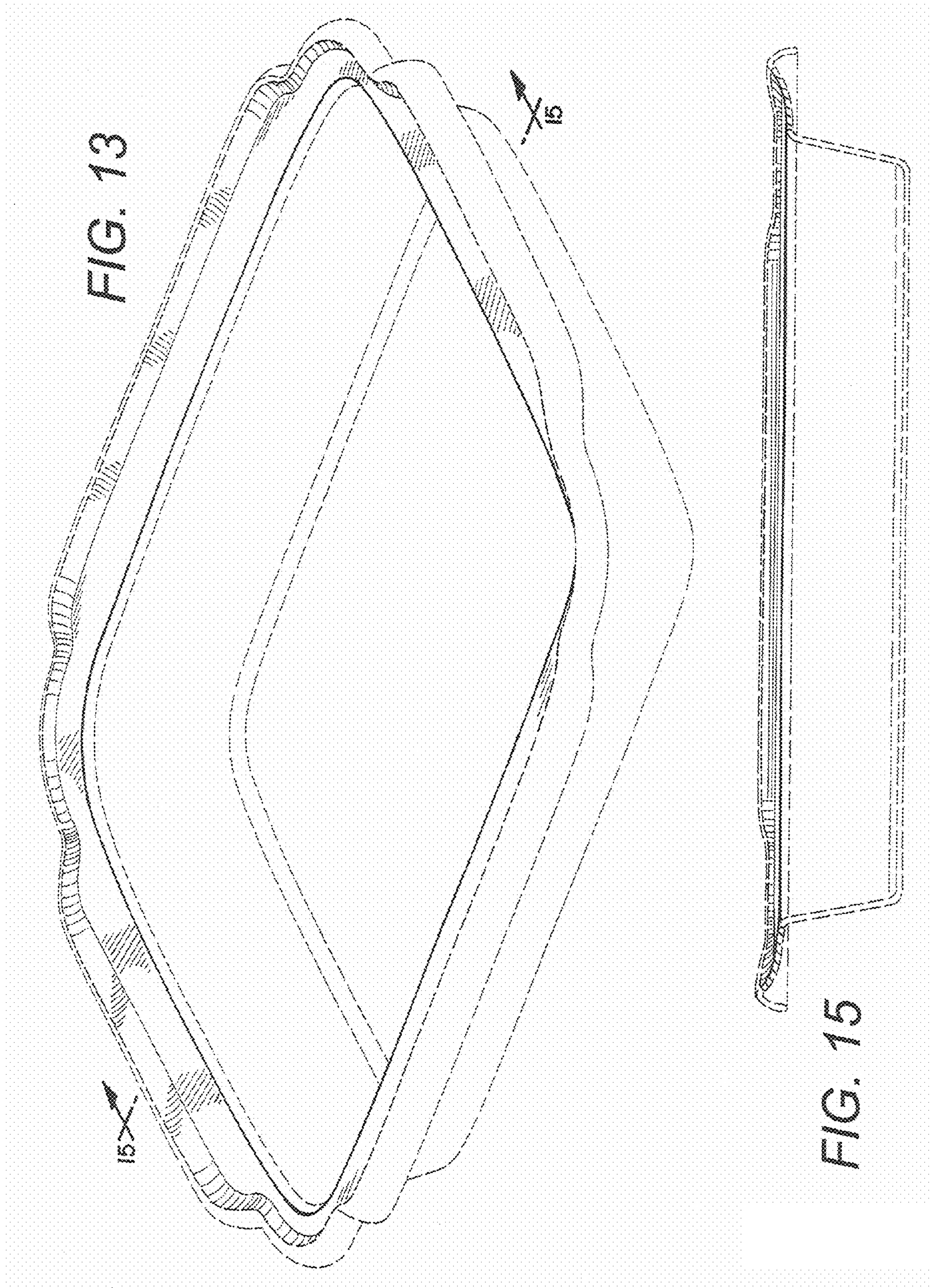


FIG. 11





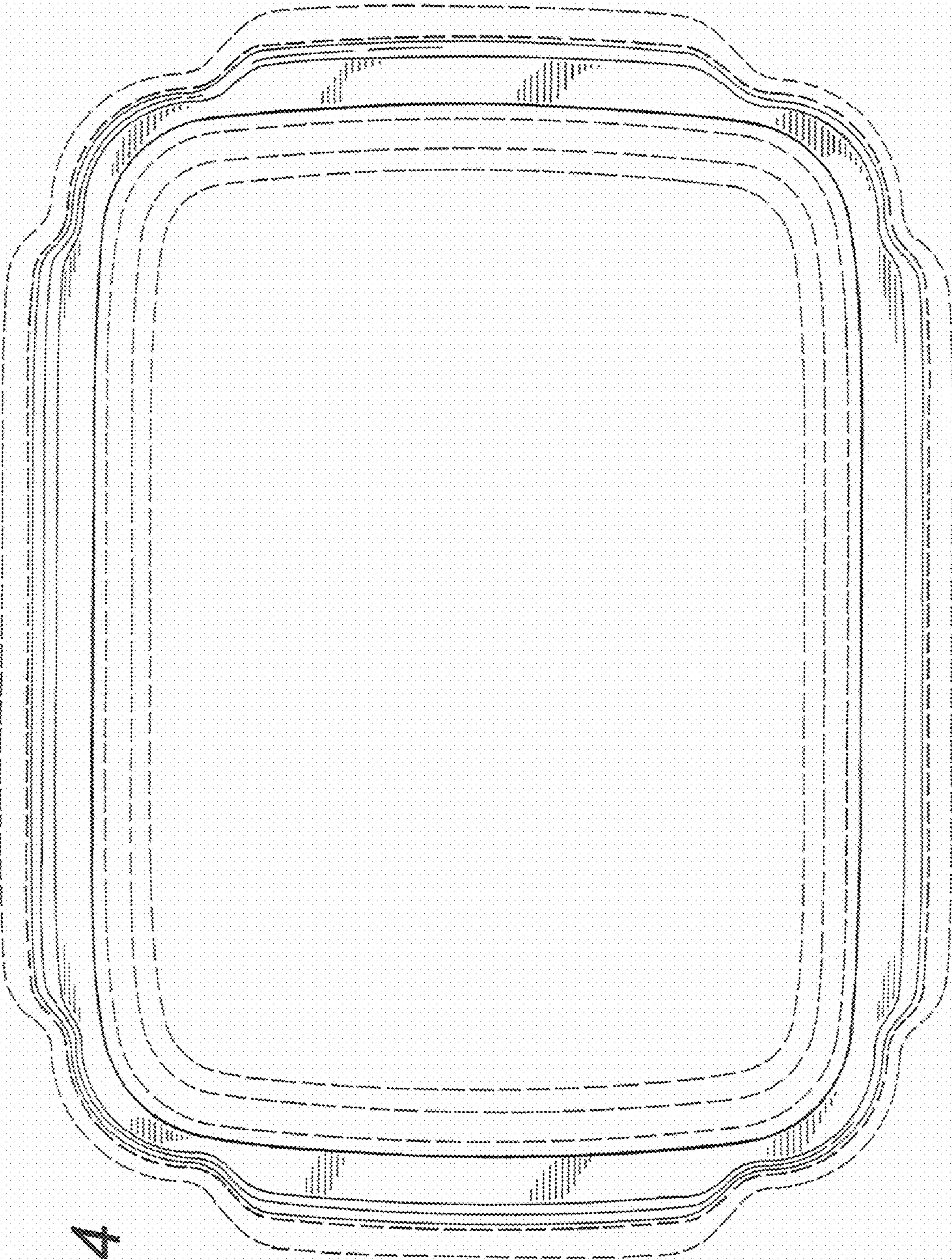
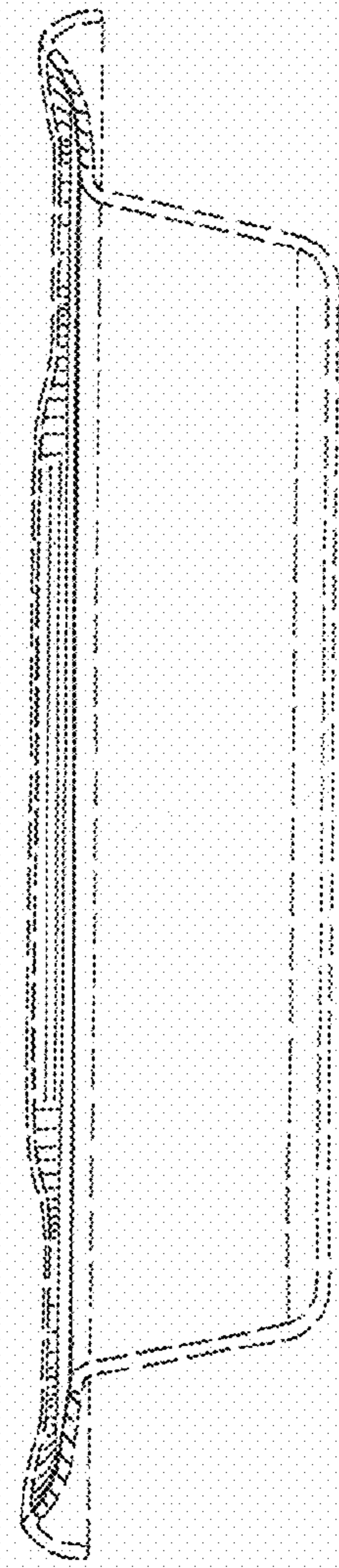
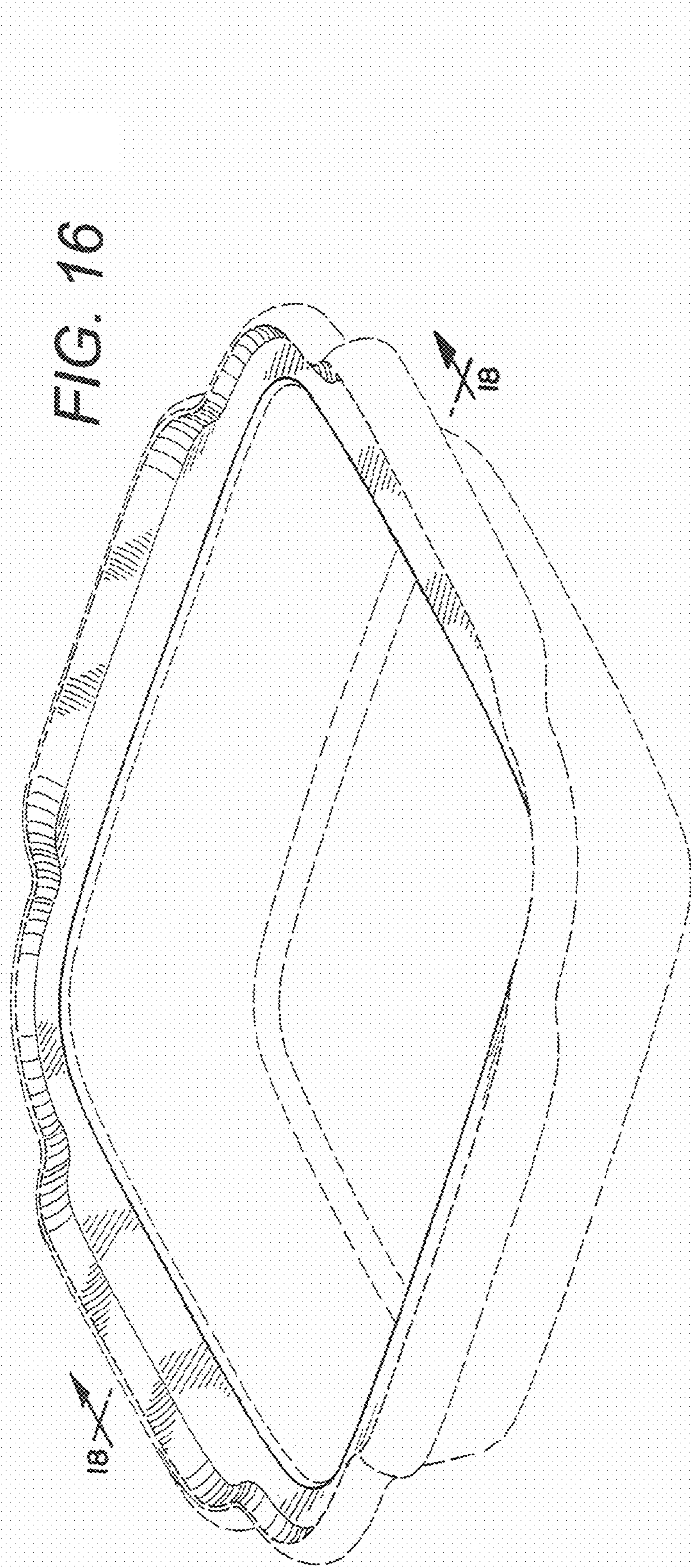


FIG. 14



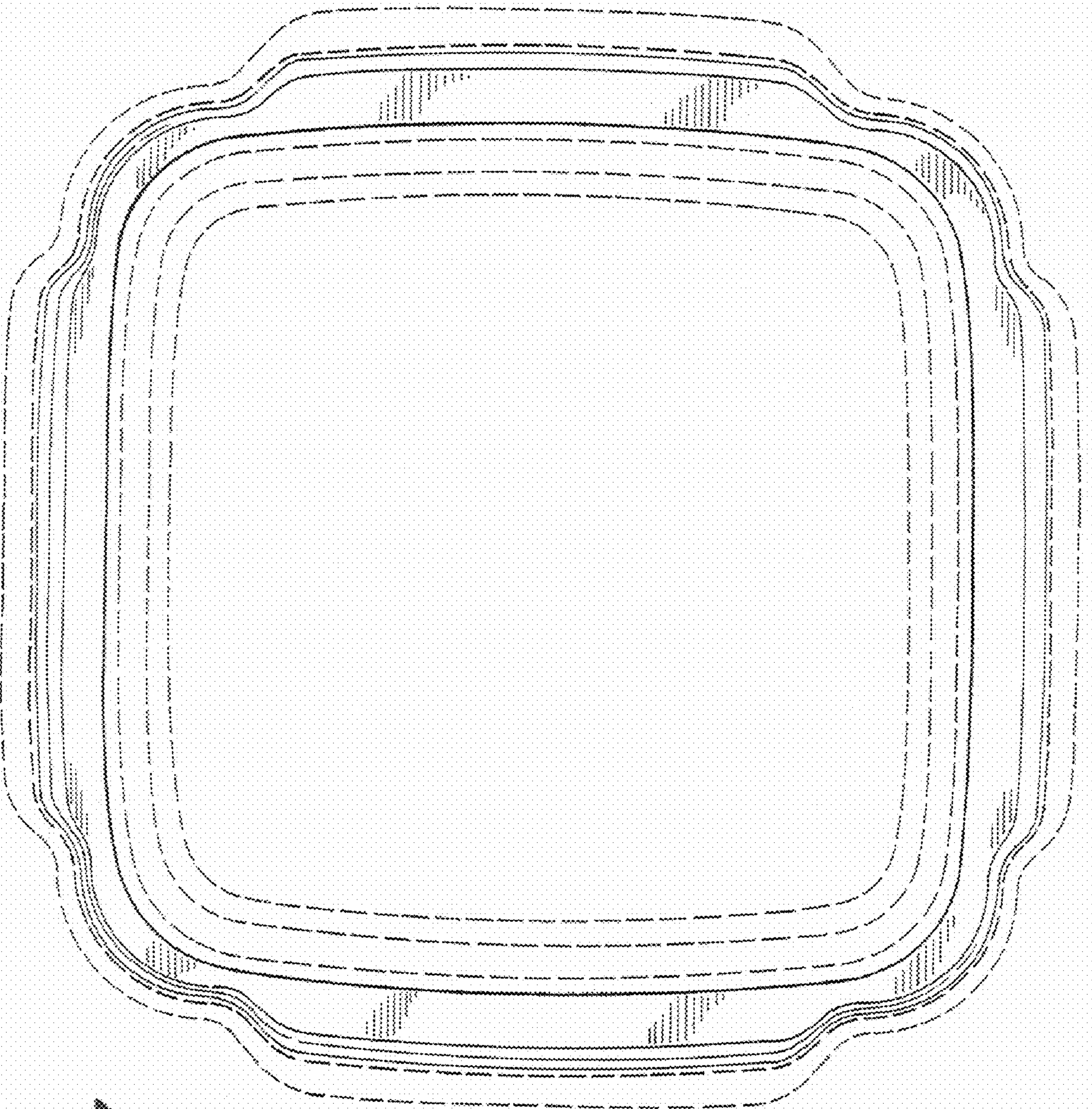


FIG. 17

FIG. 19

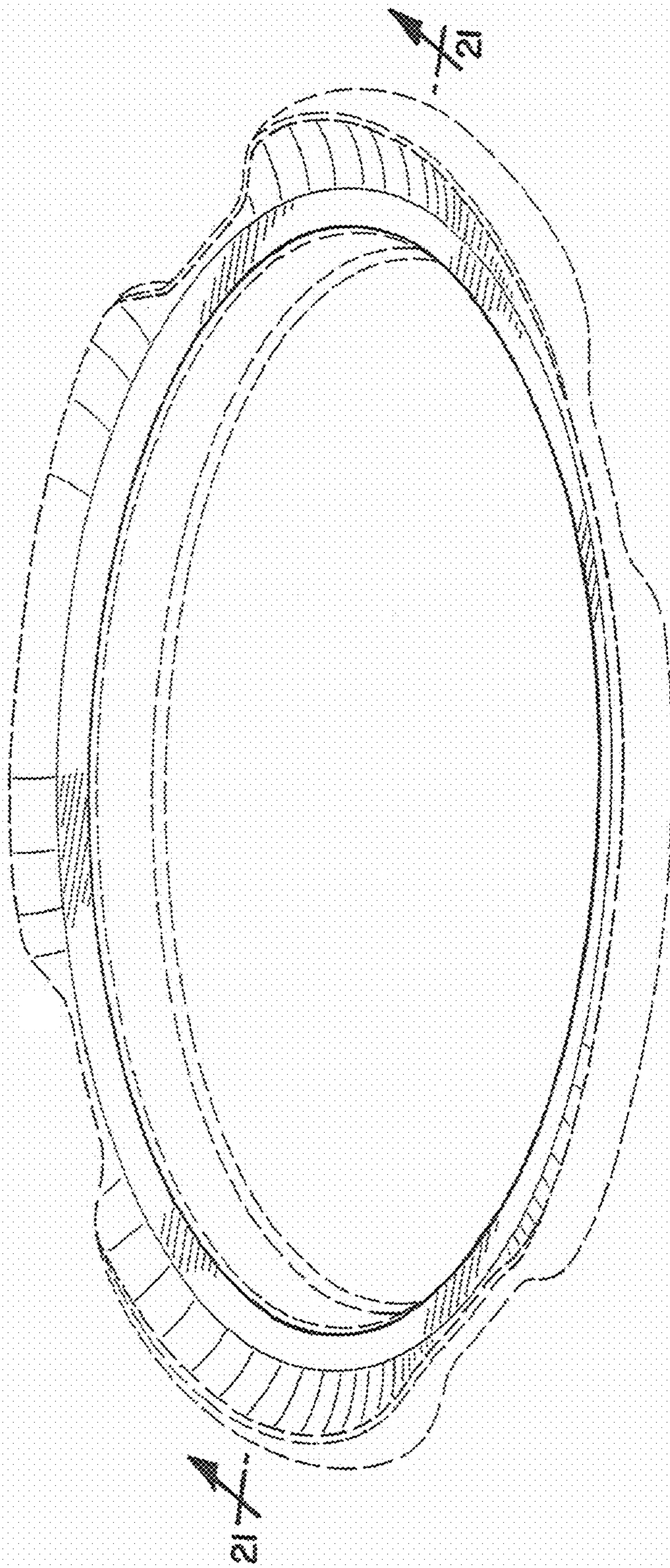
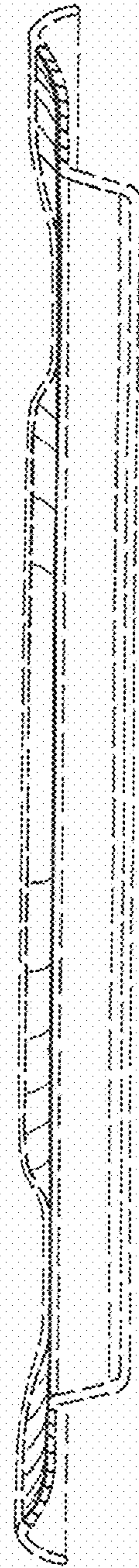


FIG. 21



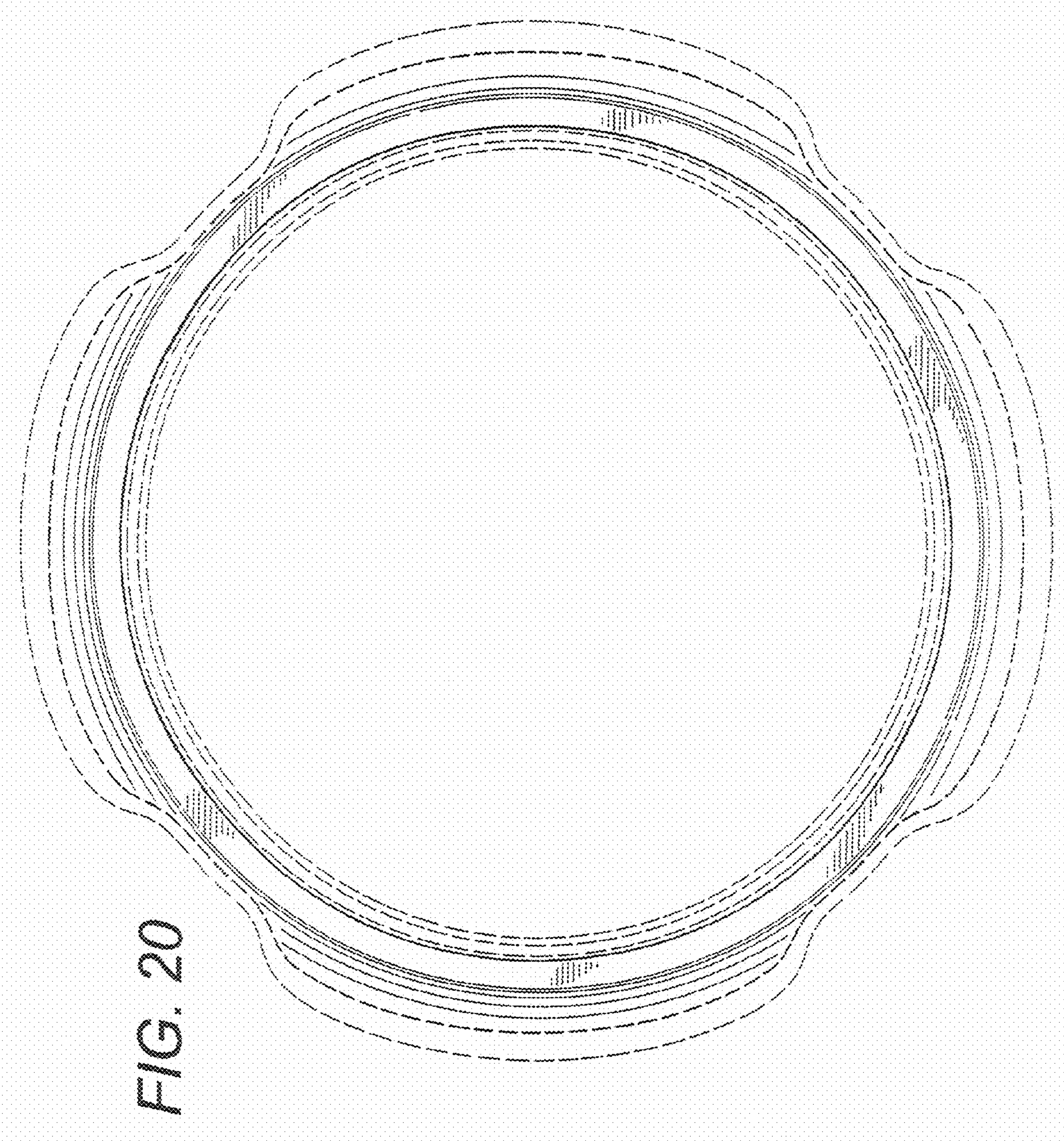


FIG. 20

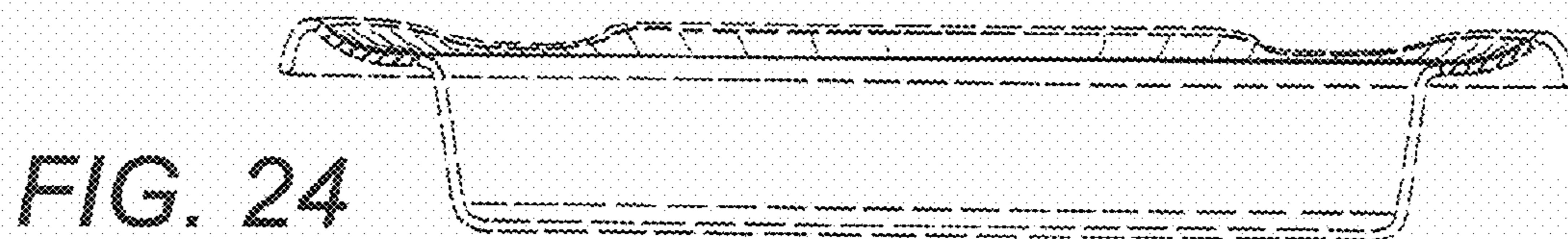
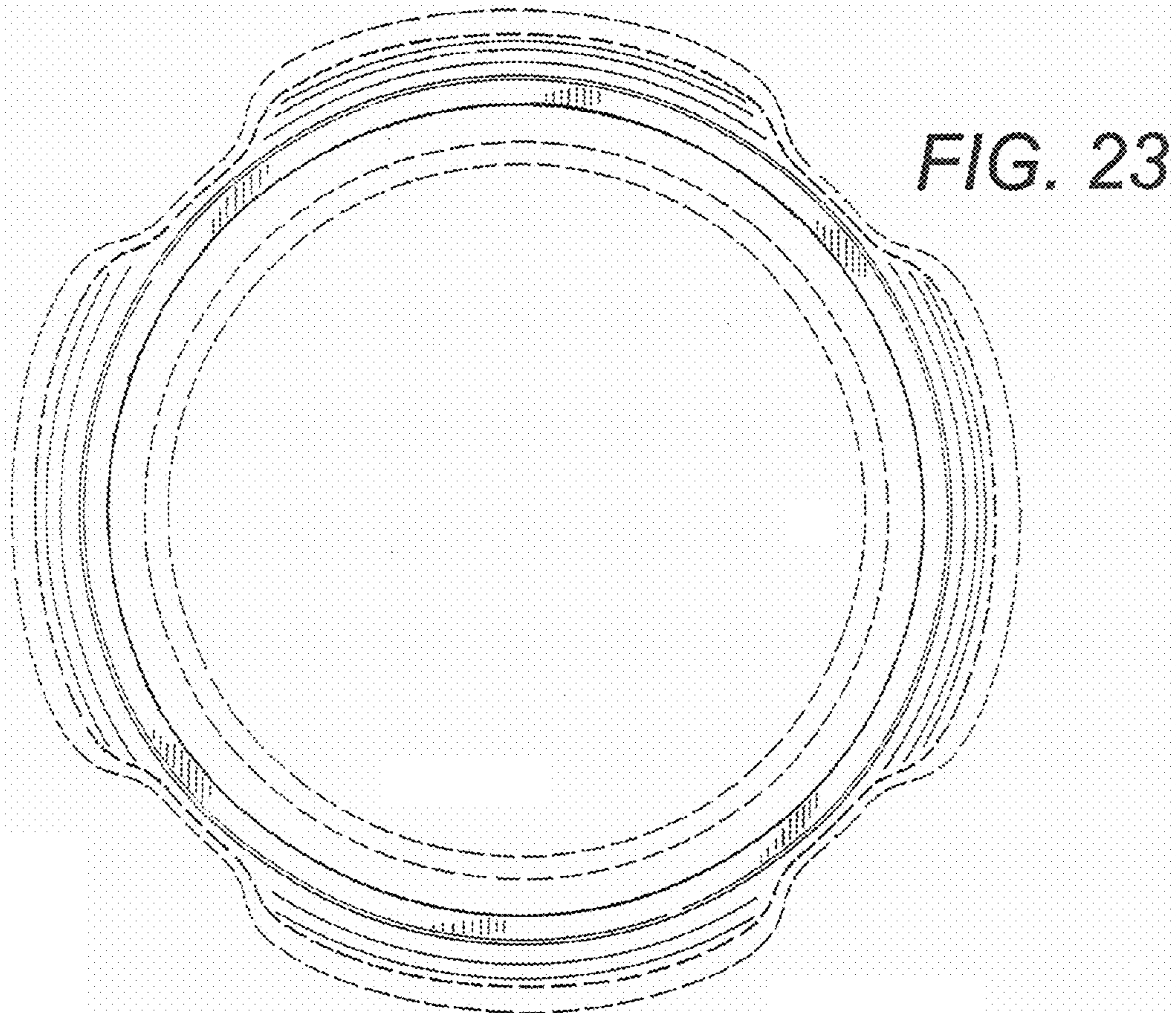
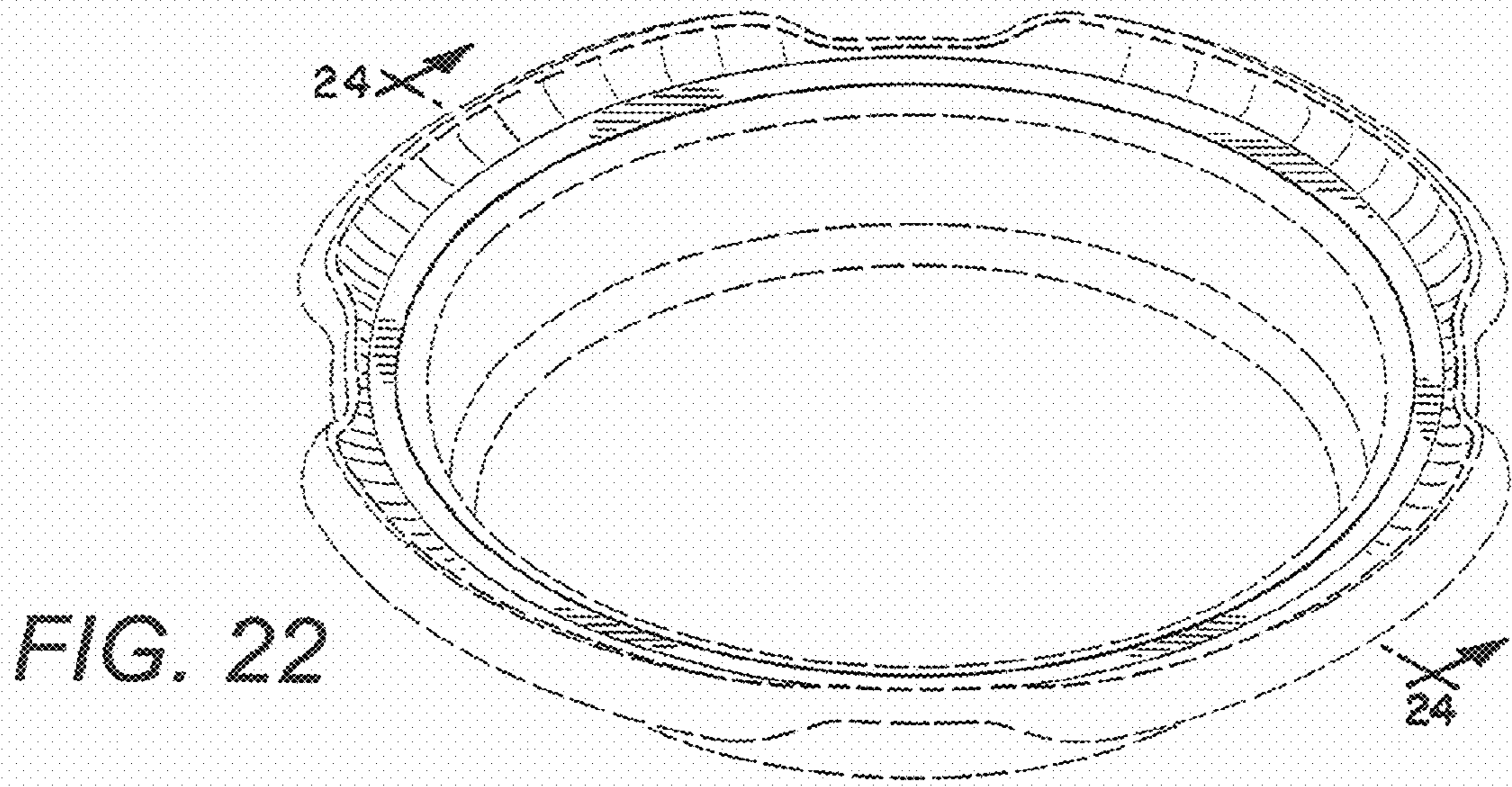


FIG. 25

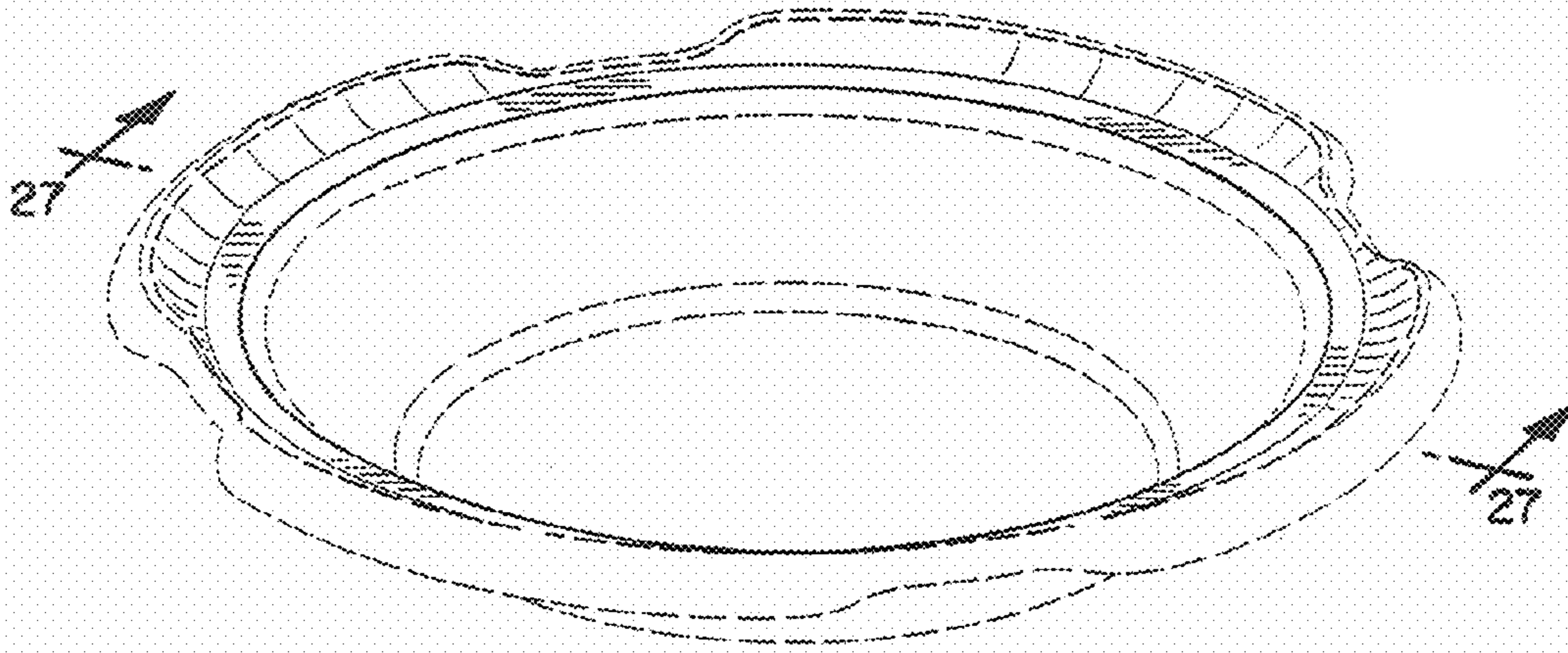


FIG. 26

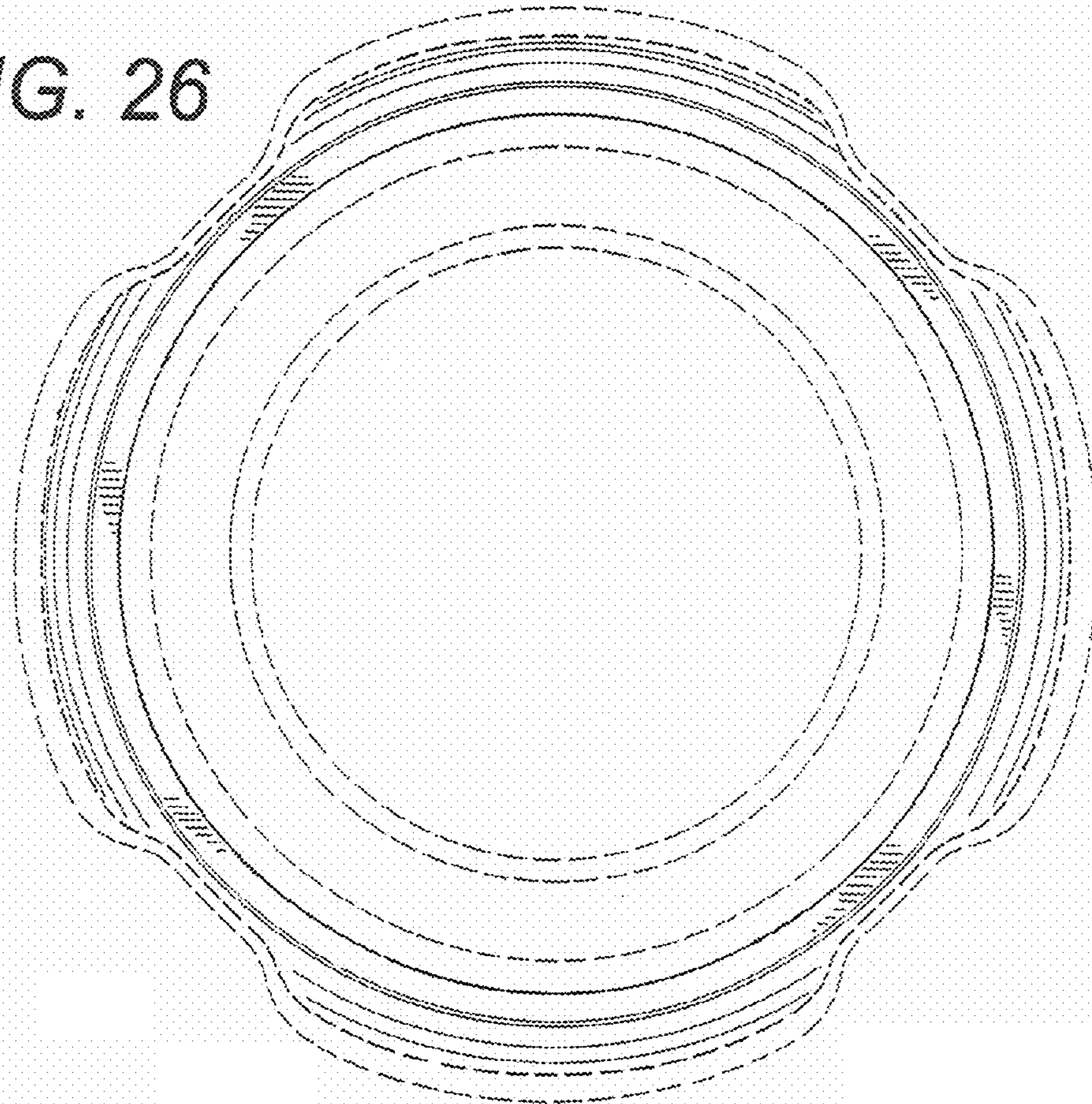


FIG. 27

