



US00D612660S

(12) **United States Design Patent**  
**Bodum**

(10) **Patent No.:** **US D612,660 S**  
(45) **Date of Patent:** **\*\* Mar. 30, 2010**

(54) **BEVERAGE MAKER**

(75) Inventor: **Jørgen Bodum**, Meggen (CH)

(73) Assignee: **PI-Design AG**, Triengen (CH)

(\*\*) Term: **14 Years**

(21) Appl. No.: **29/337,489**

(22) Filed: **May 22, 2009**

(30) **Foreign Application Priority Data**

Dec. 15, 2008 (WO) ..... DM/071 061

(51) **LOC (9) Cl.** ..... **07-01**

(52) **U.S. Cl.** ..... **D7/319; D7/317**

(58) **Field of Classification Search** ..... D7/300,  
D7/316–319, 312, 600; 99/295, 285, 297,  
99/287

See application file for complete search history.

(56) **References Cited**

**U.S. PATENT DOCUMENTS**

D342,414 S	12/1993	Jorgensen	
5,461,968 A *	10/1995	Portman	99/287
D372,627 S *	8/1996	Ireland	D7/319
5,570,623 A *	11/1996	Lin	99/285
D378,261 S	3/1997	Joergensen	
D384,539 S	10/1997	Joergensen	
D384,540 S	10/1997	Joergensen	
D386,040 S *	11/1997	Joergensen	D7/317
D405,641 S *	2/1999	Brady	D7/319
D413,484 S	9/1999	Joergensen	
D441,248 S *	5/2001	Brady	D7/319
D448,601 S *	10/2001	Yeh	D7/319
D448,602 S	10/2001	Bodum	
D449,957 S *	11/2001	Yeh	D7/319
D458,074 S	6/2002	Bodum	

D458,505 S	6/2002	Bodum	
6,422,133 B1 *	7/2002	Brady	99/297
6,797,304 B2 *	9/2004	McGonagle	426/431
D513,919 S	1/2006	Bodum	
D557,978 S	12/2007	Bodum	
D563,713 S	3/2008	Bodum	
D565,887 S	4/2008	Bodum	
D566,454 S	4/2008	Bodum	
D567,006 S	4/2008	Bodum	
D567,007 S	4/2008	Bodum	
D588,857 S *	3/2009	Bodum	D7/319
D594,267 S	6/2009	Bodum	
D598,696 S *	8/2009	Bodum	D7/319
D603,209 S *	11/2009	Bodum	D7/319

**FOREIGN PATENT DOCUMENTS**

WO 2007/101355 A1 9/2007

\* cited by examiner

*Primary Examiner*—Marianne Pandozzi

(74) *Attorney, Agent, or Firm*—Sughrue Mion, PLLC

(57) **CLAIM**

The ornamental design for a beverage maker, as shown and described.

**DESCRIPTION**

FIG. 1 is a perspective view of a beverage maker showing my new design;

FIG. 2 is a front elevation view thereof

FIG. 3 is a back elevation view thereof;

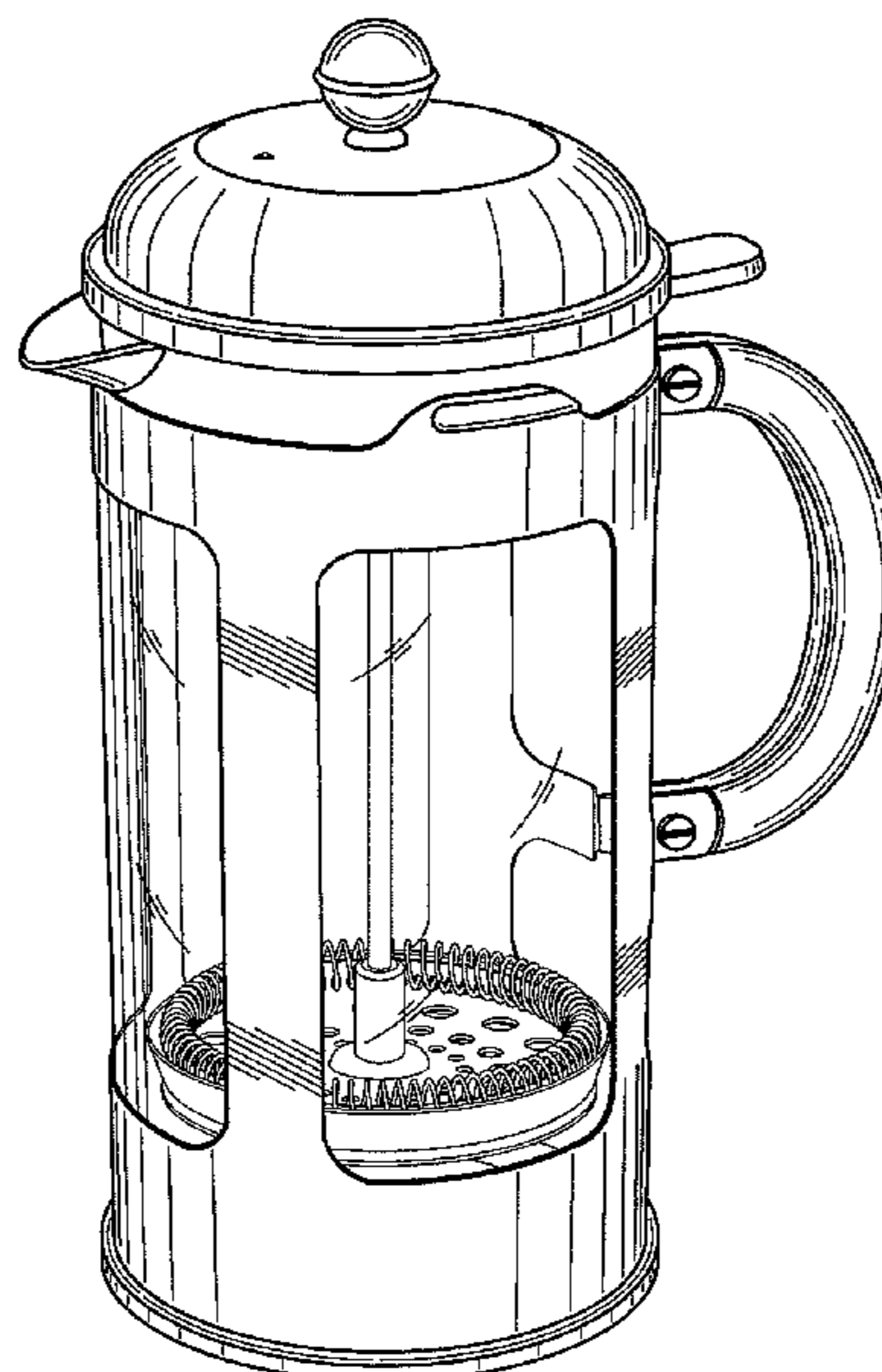
FIG. 4 is a right elevation view thereof;

FIG. 5 is a left elevation view thereof;

FIG. 6 is a top view thereof; and,

FIG. 7 is a bottom view thereof.

**1 Claim, 7 Drawing Sheets**



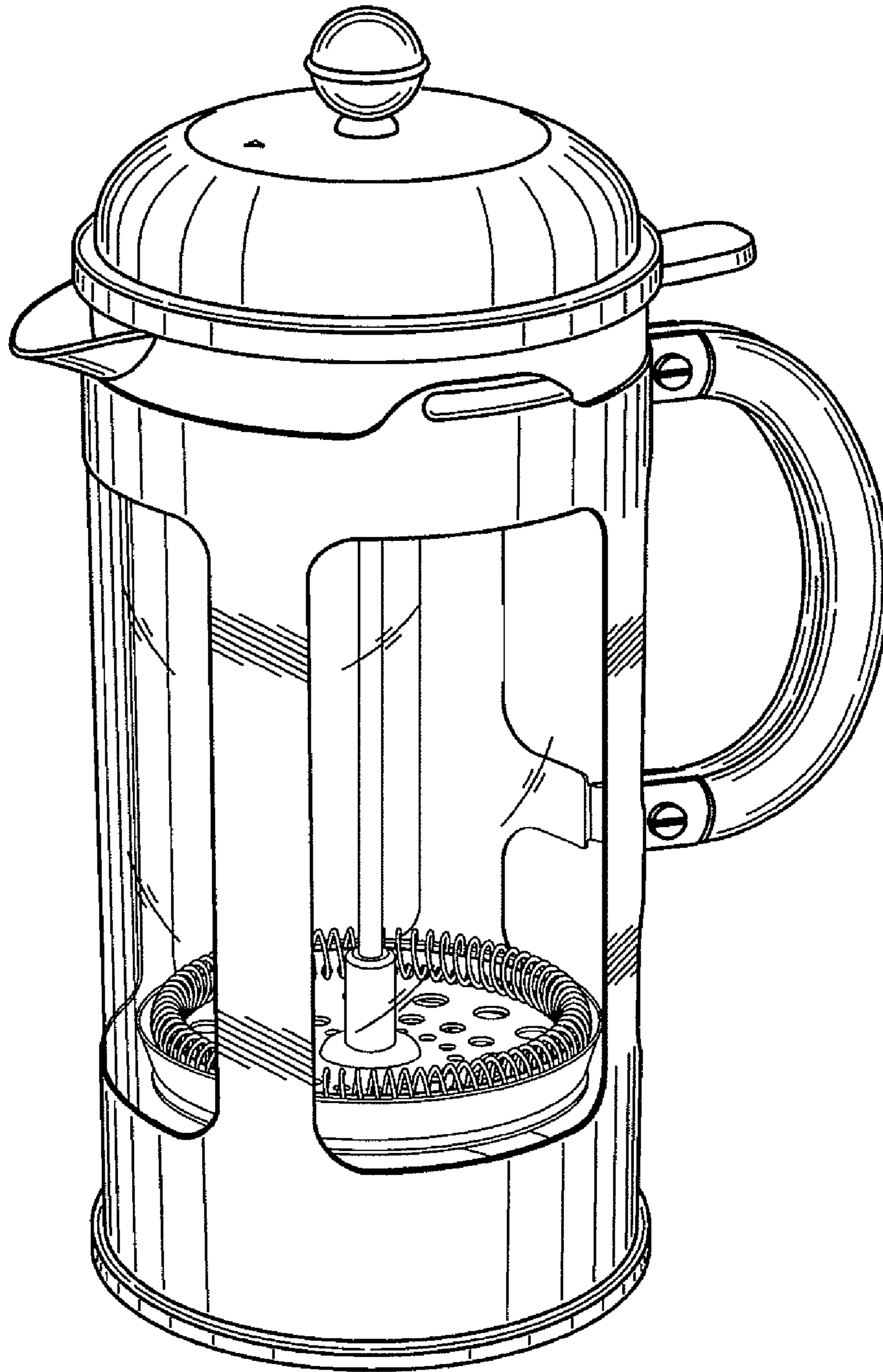


Figure 1

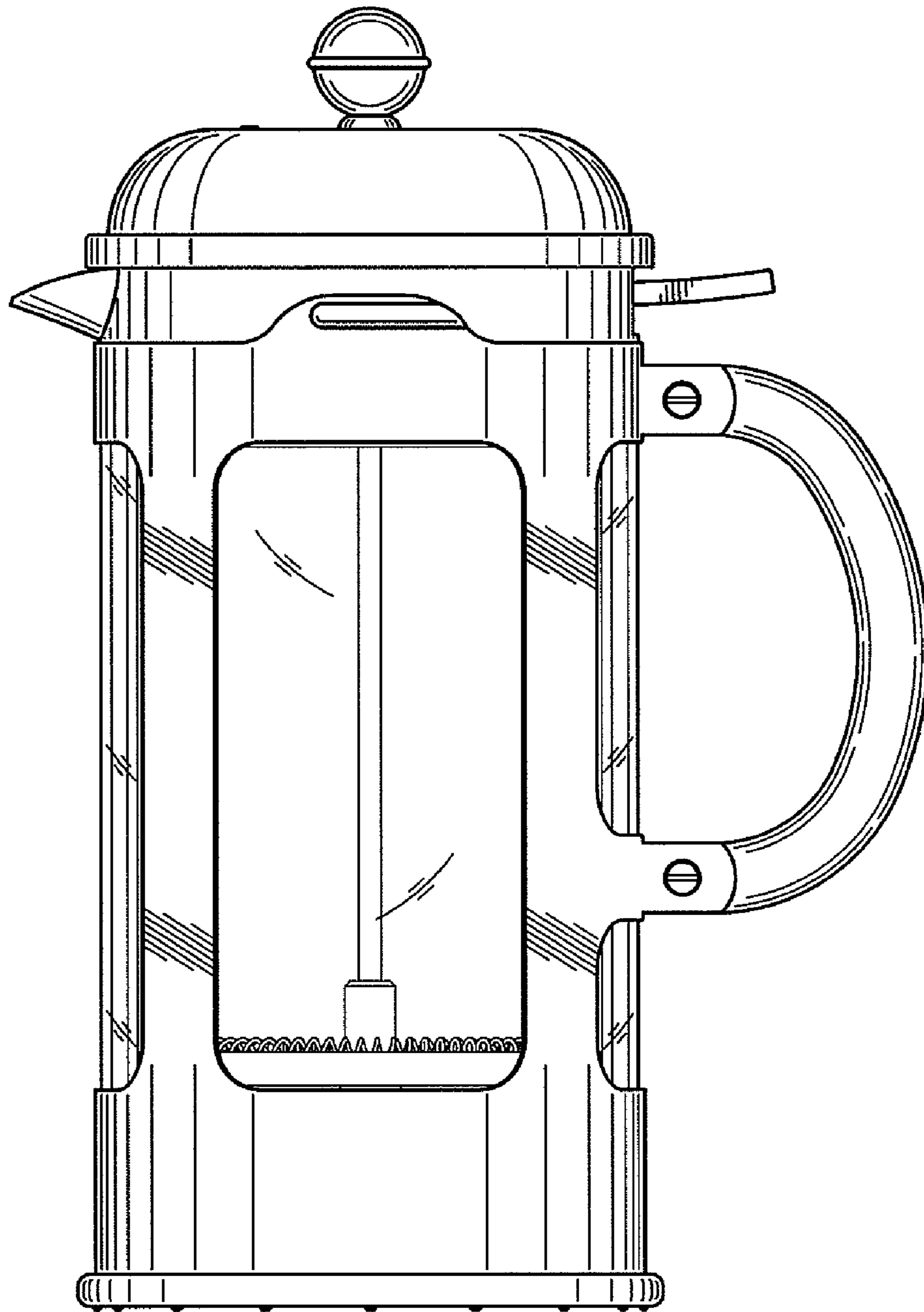


Figure 2

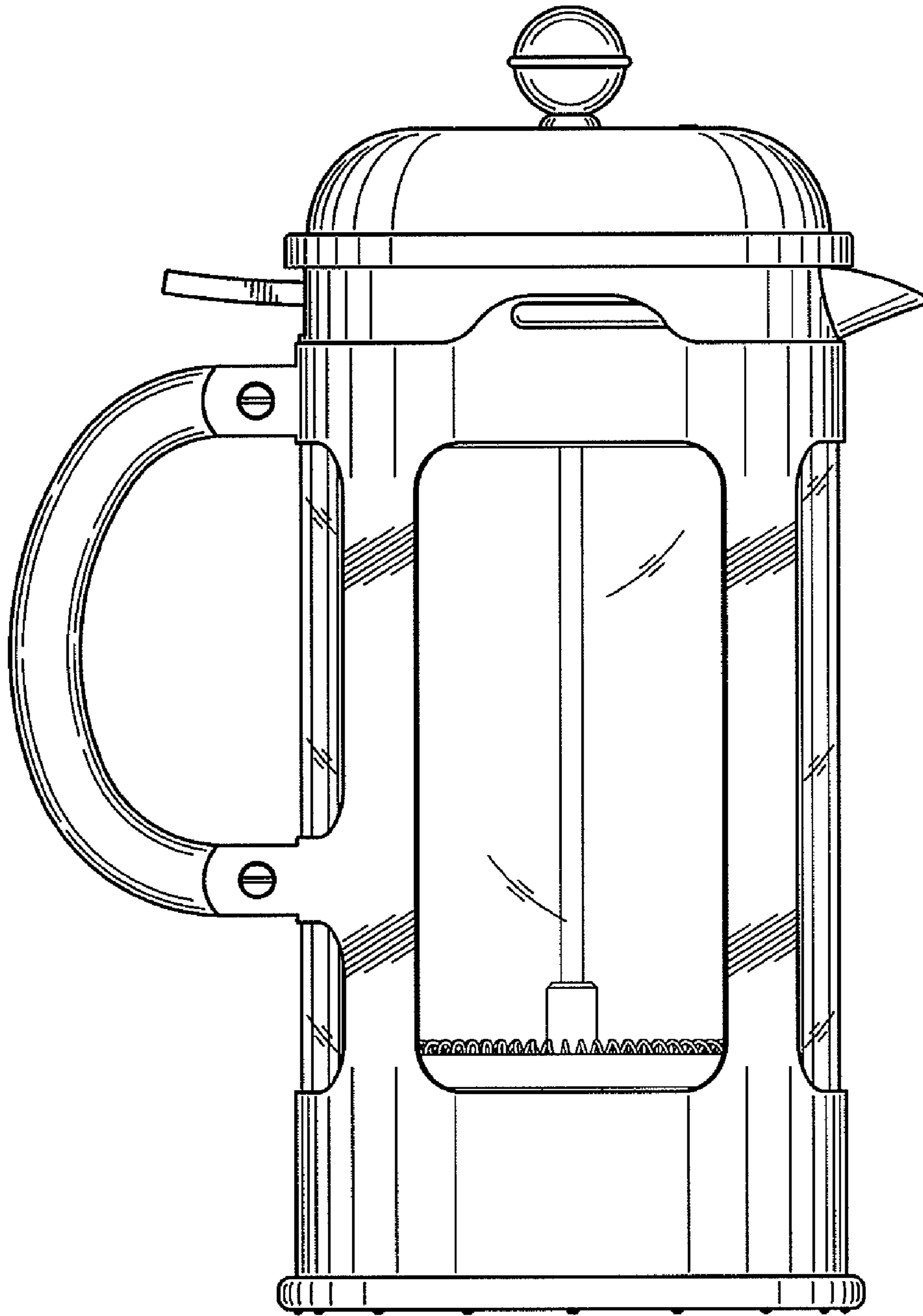


Figure 3

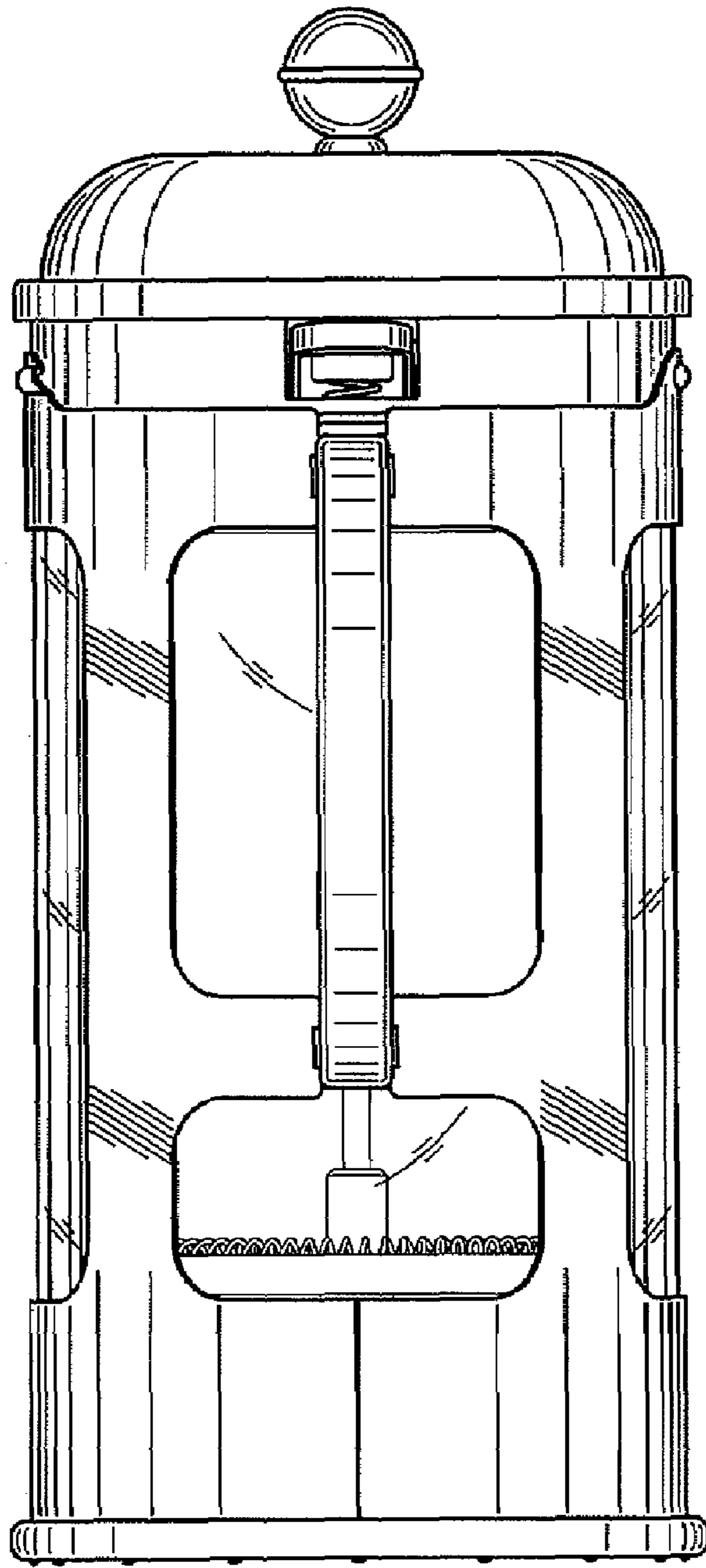


Figure 4

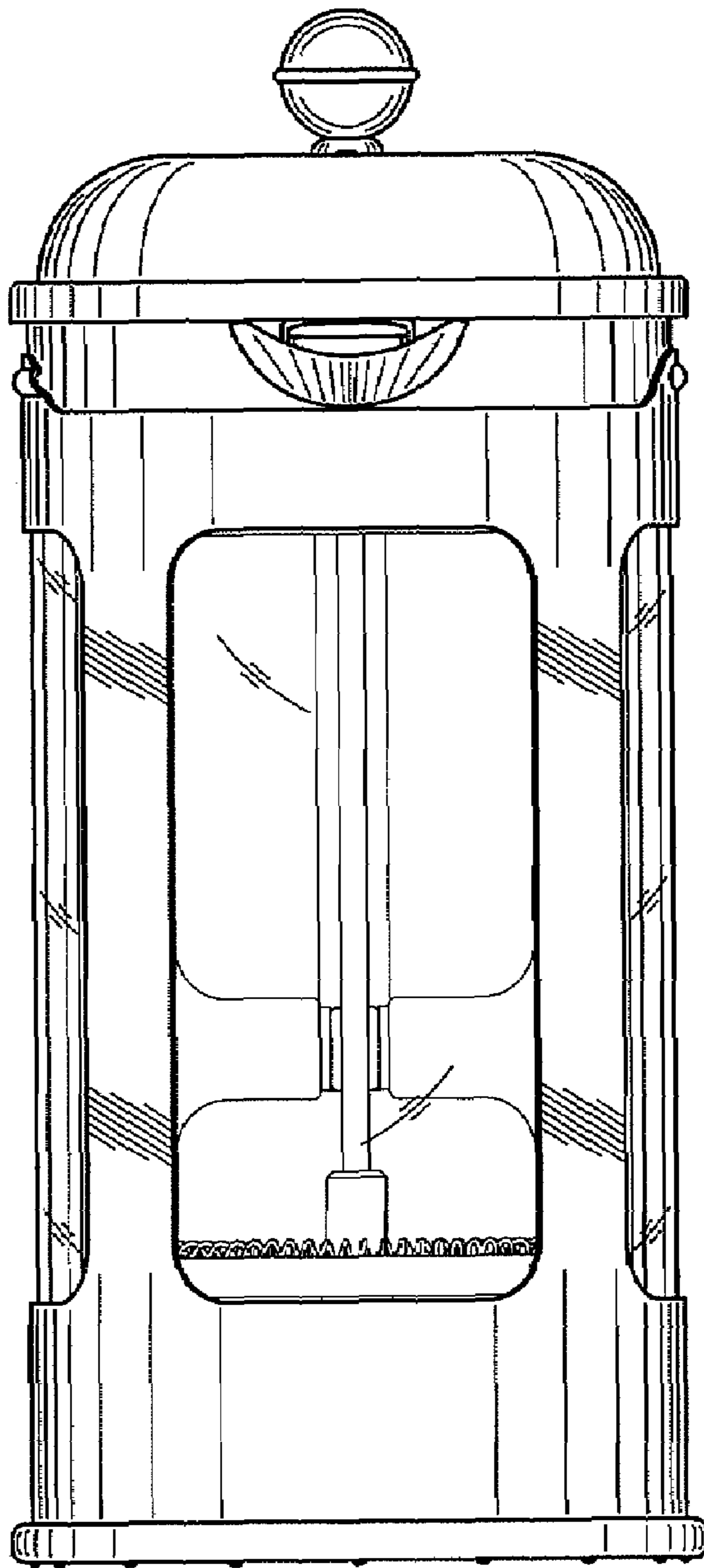


Figure 5

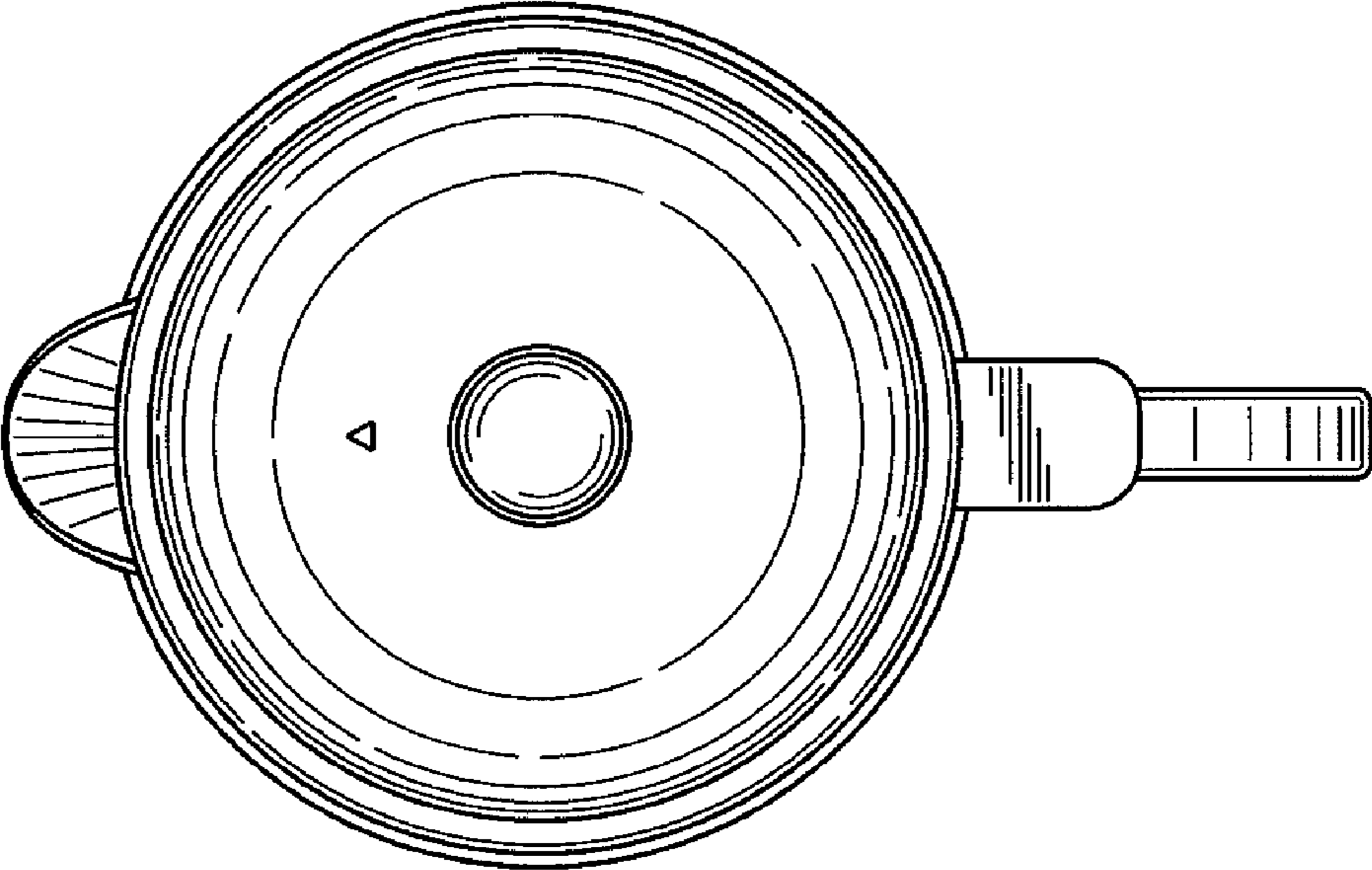


Figure 6

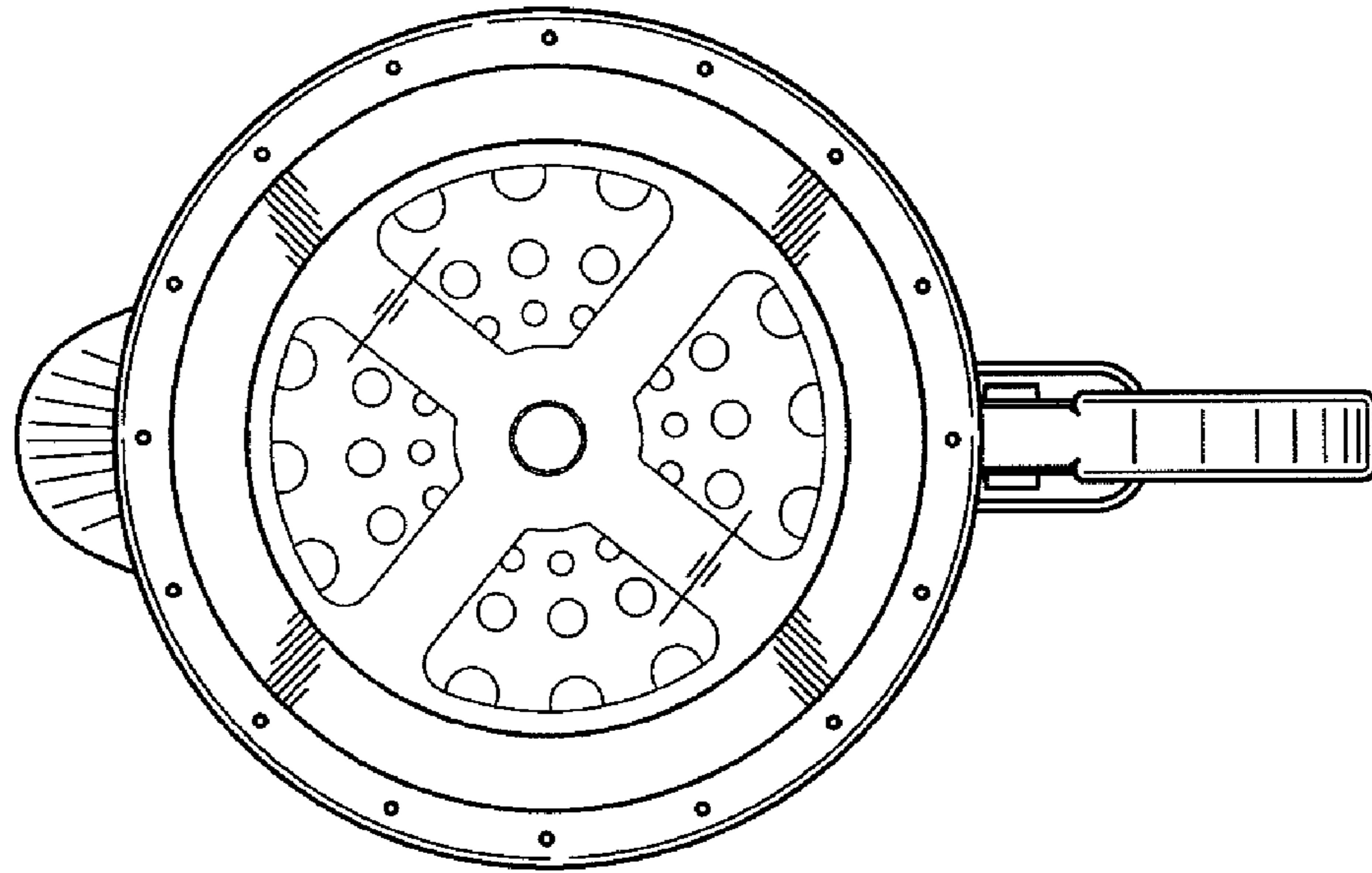


Figure 7