



US00D612657S

(12) **United States Design Patent**
Luippold et al.

(10) **Patent No.:** **US D612,657 S**
(45) **Date of Patent:** **** Mar. 30, 2010**

(54) **APPARATUS FOR PREPARING HOT BEVERAGES**

D565,886 S * 4/2008 Bardazzi et al. D7/309
D581,716 S * 12/2008 Harris, III D7/307
D584,095 S * 1/2009 Luippold D7/306
D595,992 S * 7/2009 Clark et al. D7/309

(75) Inventors: **Gregor Luippold**, München (DE); **Jeff Miller**, New York, NY (US)

* cited by examiner

(73) Assignee: **BSH Bosch und Siemens Hausgeraete GmbH**, Munich (DE)

Primary Examiner—Marianne Pandozzi
(74) *Attorney, Agent, or Firm*—James E. Howard; Andre Pallapies

(**) Term: **14 Years**

(21) Appl. No.: **29/314,251**

(57) **CLAIM**

(22) Filed: **Mar. 16, 2009**

The ornamental design for an apparatus for preparing hot beverages, as shown and described.

(30) **Foreign Application Priority Data**

DESCRIPTION

Sep. 18, 2008 (EM) 001020077

FIG. 1 is a perspective view of an apparatus for preparing hot beverages showing our new design;

(51) **LOC (9) Cl.** **07-01**

FIG. 2 is a front view thereof;

(52) **U.S. Cl.** **D7/306; D7/311**

FIG. 3 is a rear view thereof;

(58) **Field of Classification Search** D7/305–311,
D7/300; 99/295, 300, 299

FIG. 4 is a right side view thereof;

See application file for complete search history.

FIG. 5 is a left side view thereof;

(56) **References Cited**

FIG. 6 is a top view thereof; and,

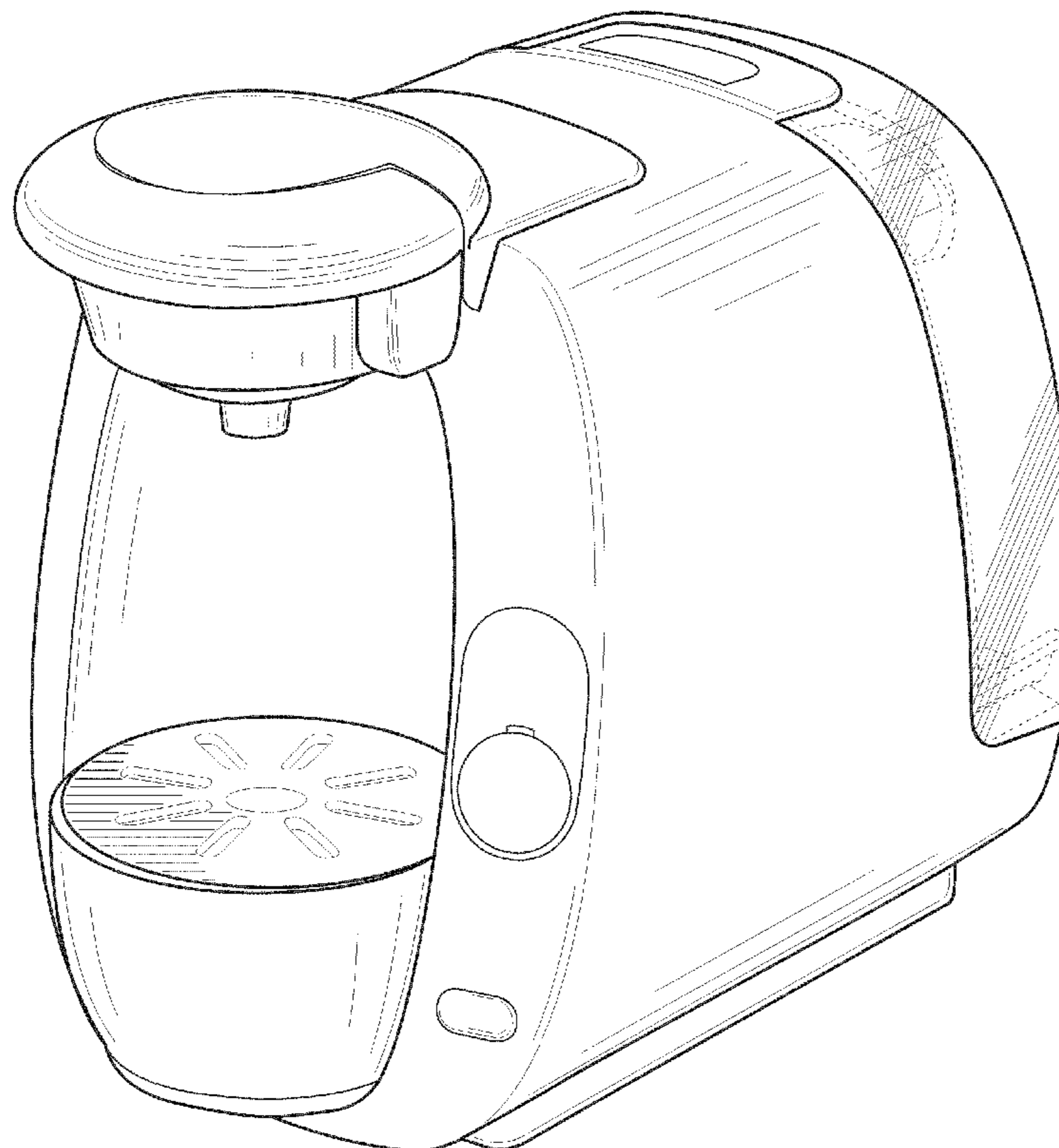
U.S. PATENT DOCUMENTS

FIG. 7 is a bottom view thereof.

D511,065 S * 11/2005 Pininfarina D7/309
D536,917 S * 2/2007 McWilliam D7/309
D555,969 S * 11/2007 Picozza et al. D7/306
D558,506 S * 1/2008 Garman D7/309

The broken lines in the drawings are included for the purpose of illustration and form no part of the claimed design.

1 Claim, 7 Drawing Sheets



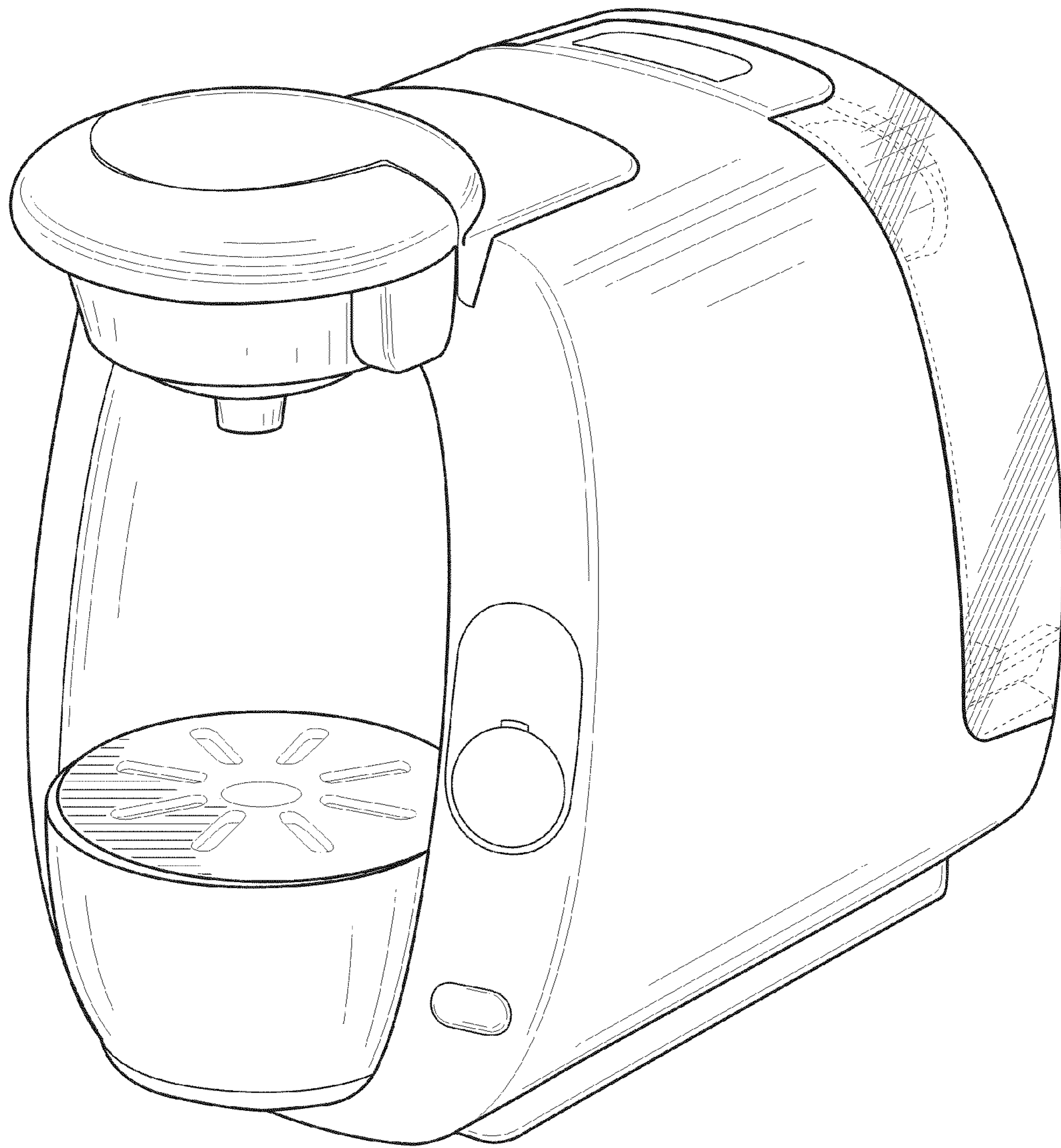


FIG. 1

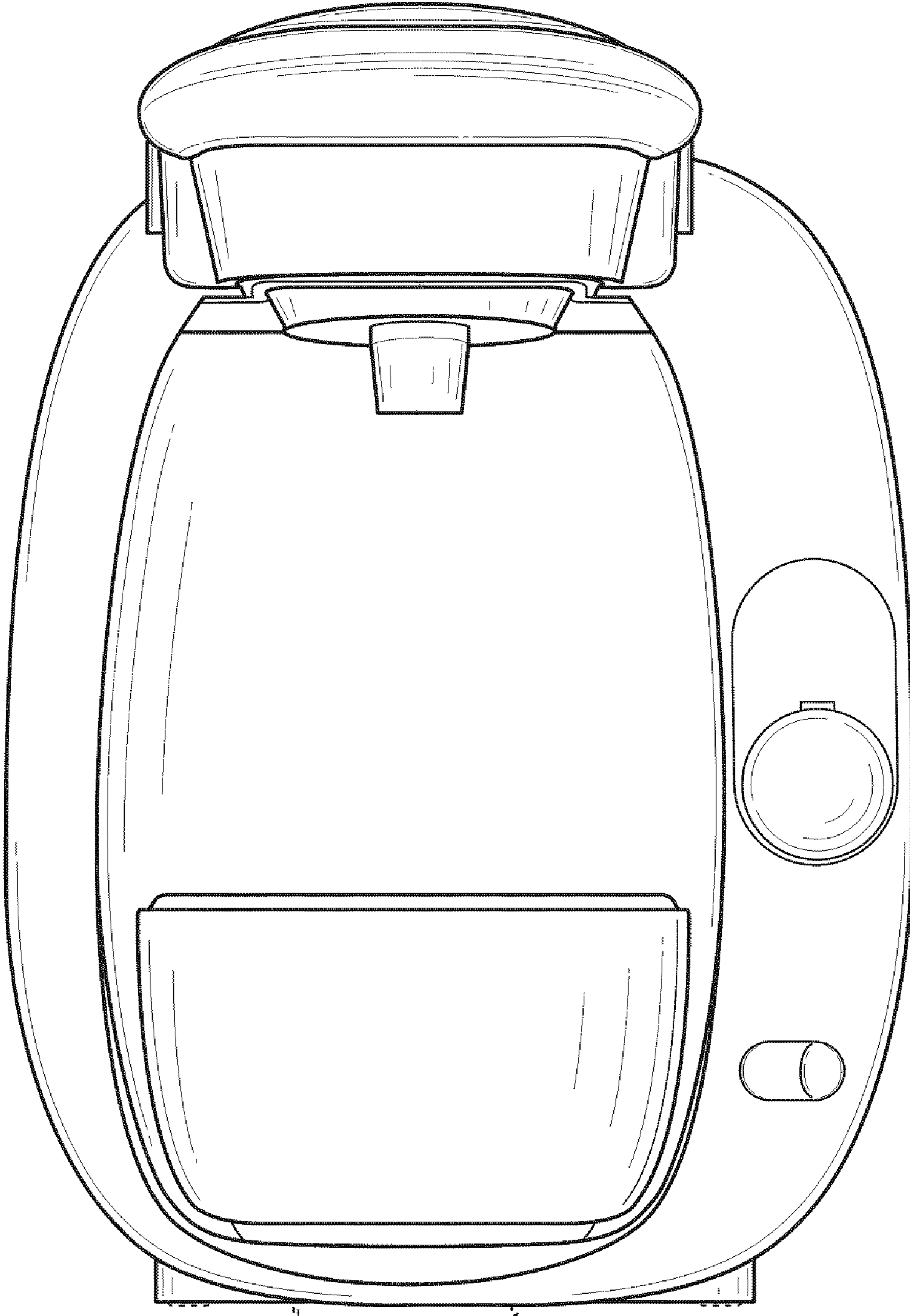


FIG. 2

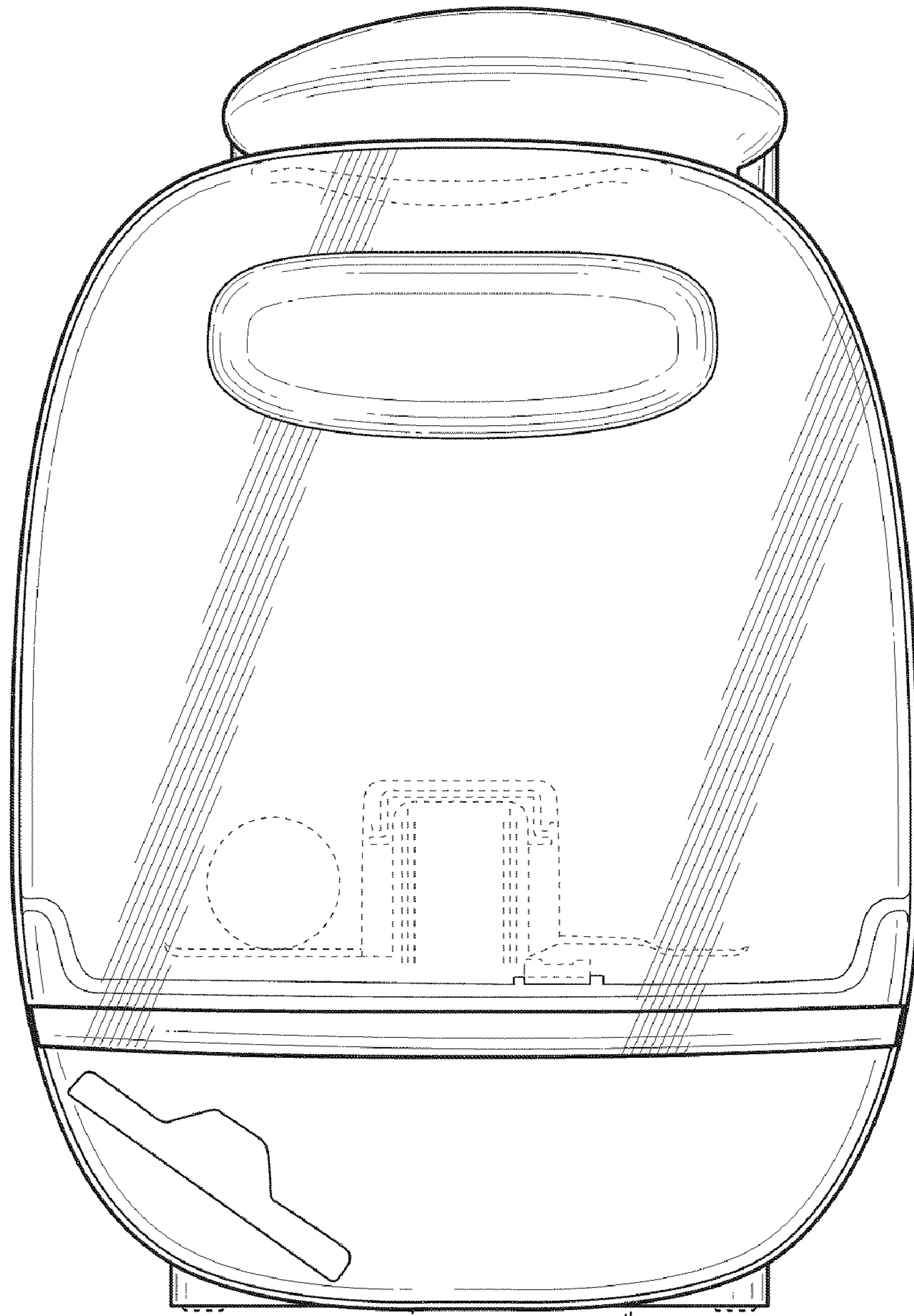


FIG. 3

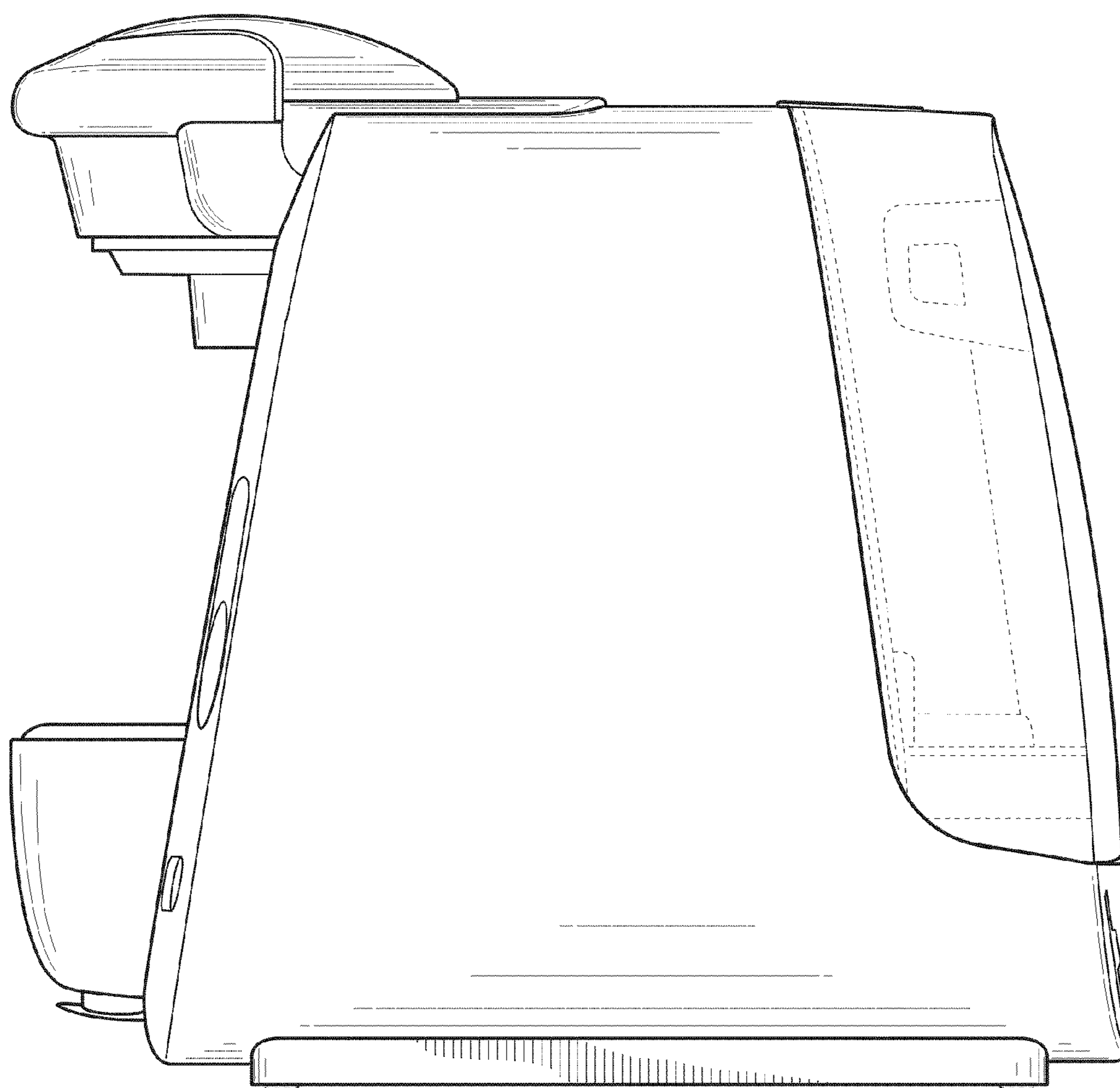


FIG. 4

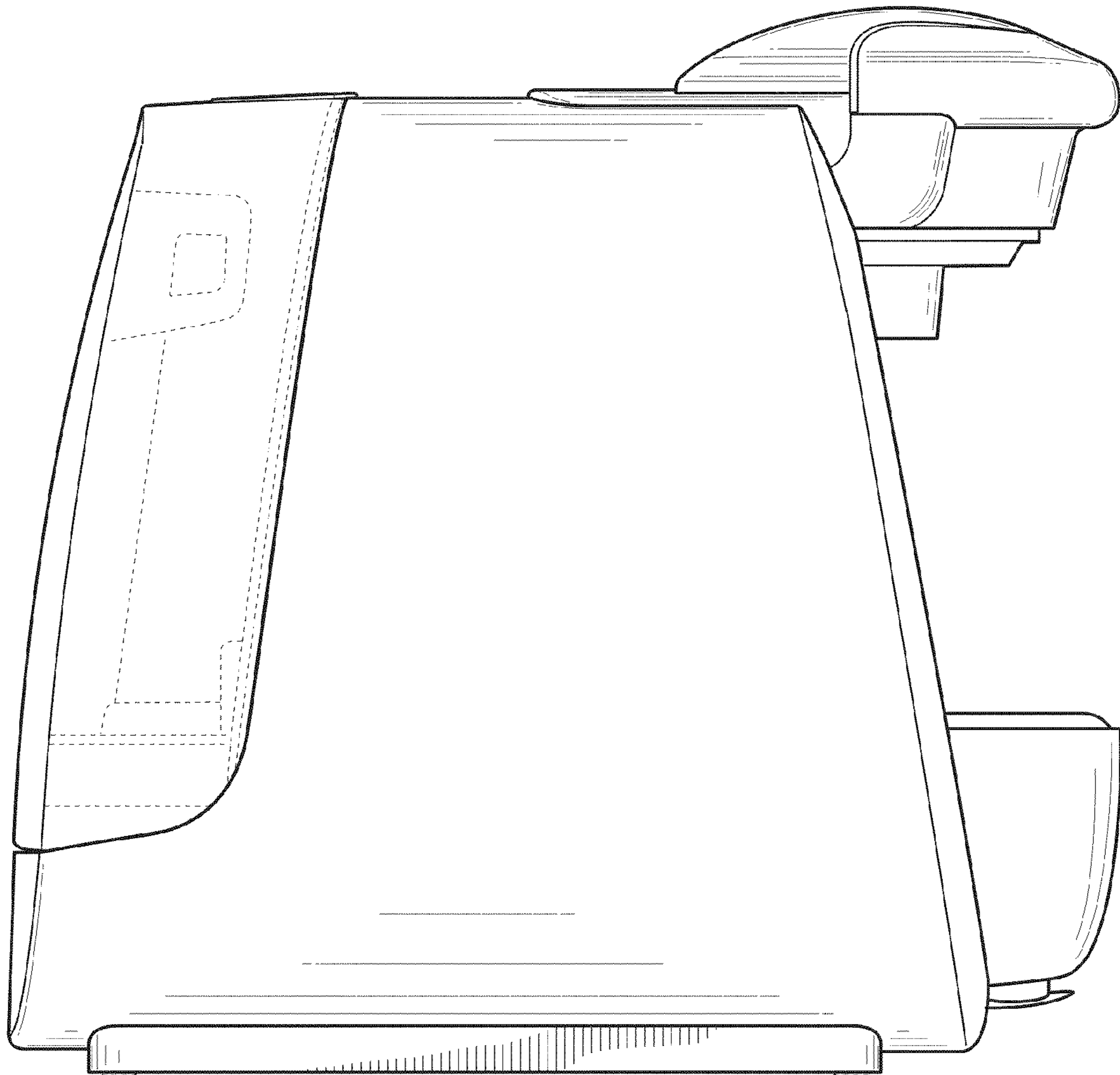


FIG. 5

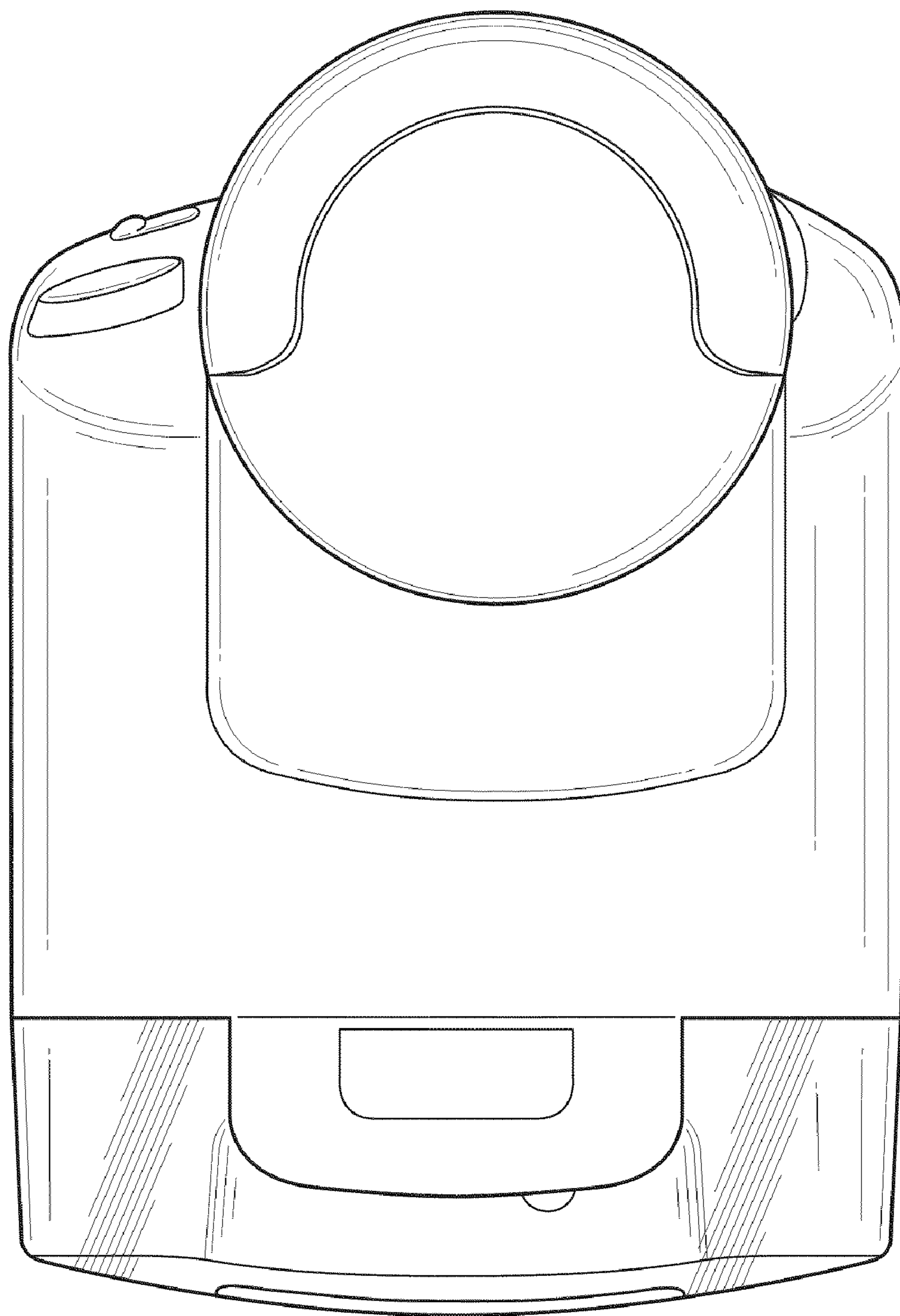


FIG. 6

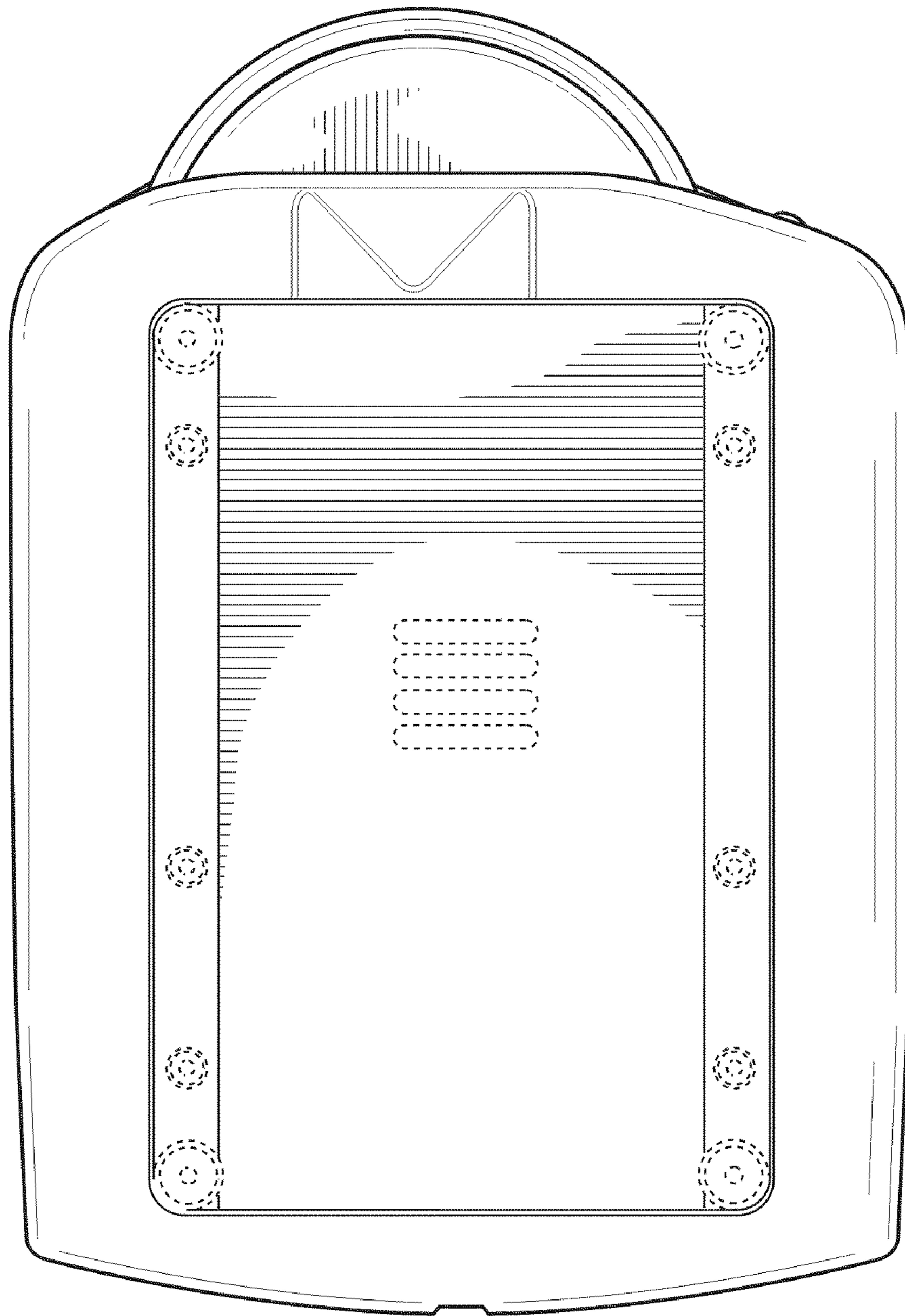


FIG. 7