



US00D612650S

(12) **United States Design Patent**  
**Tiernan**

(10) **Patent No.:** **US D612,650 S**  
(45) **Date of Patent:** **\*\* Mar. 30, 2010**

(54) **RACK FOR STORING A PLURALITY OF EYEWEAR**

(76) Inventor: **Scott D. Tiernan**, 212 SW. 4th St.,  
Boynton Beach, FL (US) 33435

(\*\*) Term: **14 Years**

(21) Appl. No.: **29/301,639**

(22) Filed: **Mar. 10, 2008**

(51) **LOC (9) Cl.** ..... **06-04**

(52) **U.S. Cl.** ..... **D6/570**

(58) **Field of Classification Search** ..... D6/515,  
D6/553, 564, 569, 570, 574, 629, 462, 468,  
D6/567; 108/28-29; 211/11, 13.1, 42, 71.01,  
211/86.01, 88.01, 88.03, 90.01, 126.1, 133.5,  
211/134, 153, 182, 85.1; 248/235, 309.1,  
248/902

See application file for complete search history.

(56) **References Cited**

**U.S. PATENT DOCUMENTS**

- 3,955,681 A 5/1976 DeZinno
- 4,336,887 A 6/1982 Dunne
- 5,018,253 A \* 5/1991 Oppenheimer ..... 248/902
- 5,100,006 A 3/1992 Forrester

- 5,144,345 A \* 9/1992 Nyman ..... 248/902
- 5,255,796 A \* 10/1993 Josephson ..... 211/85.1
- D406,714 S \* 3/1999 Eldon et al. .... D6/567
- 6,182,840 B1 2/2001 Tegel
- 6,443,317 B1 9/2002 Brozak, Jr.
- 6,880,710 B1 4/2005 Oliveras

\* cited by examiner

*Primary Examiner*—Brian N Vinson

(74) *Attorney, Agent, or Firm*—Robert C. Montgomery

(57) **CLAIM**

The ornamental design for a rack for storing a plurality of eyewear, as shown and described.

**DESCRIPTION**

FIG. 1 is a perspective view of a rack for storing a plurality of eyewear as shown and described;

FIG. 2 is a front view thereof;

FIG. 3 is a rear view thereof;

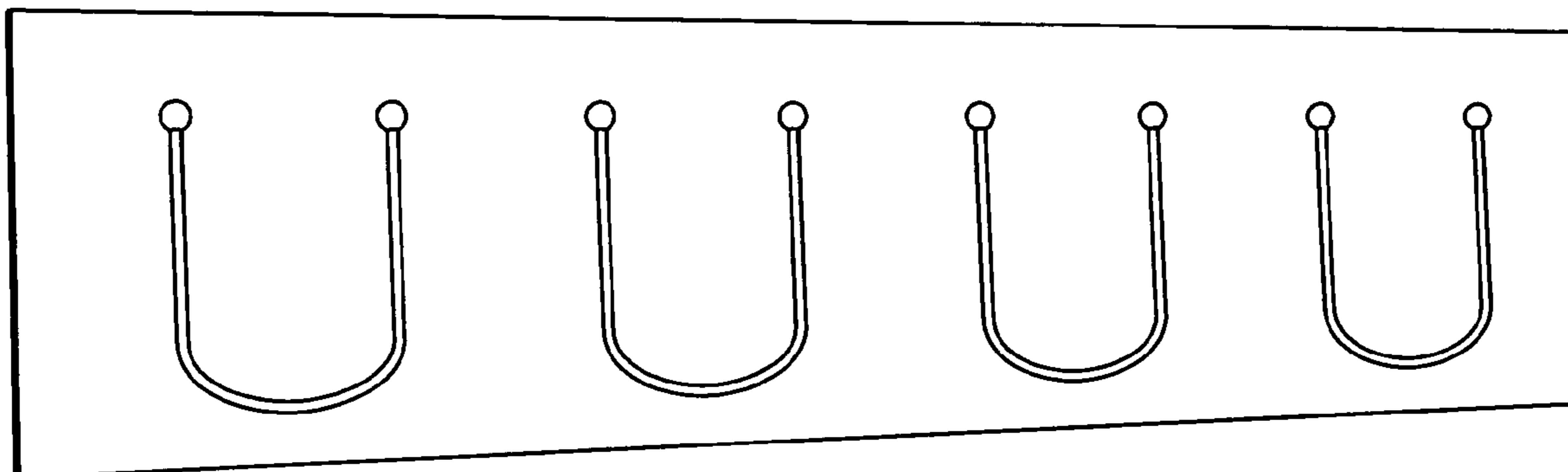
FIG. 4 is a left side view thereof;

FIG. 5 is a right side view thereof;

FIG. 6 is a top view thereof; and,

FIG. 7 is a bottom view thereof.

**1 Claim, 7 Drawing Sheets**



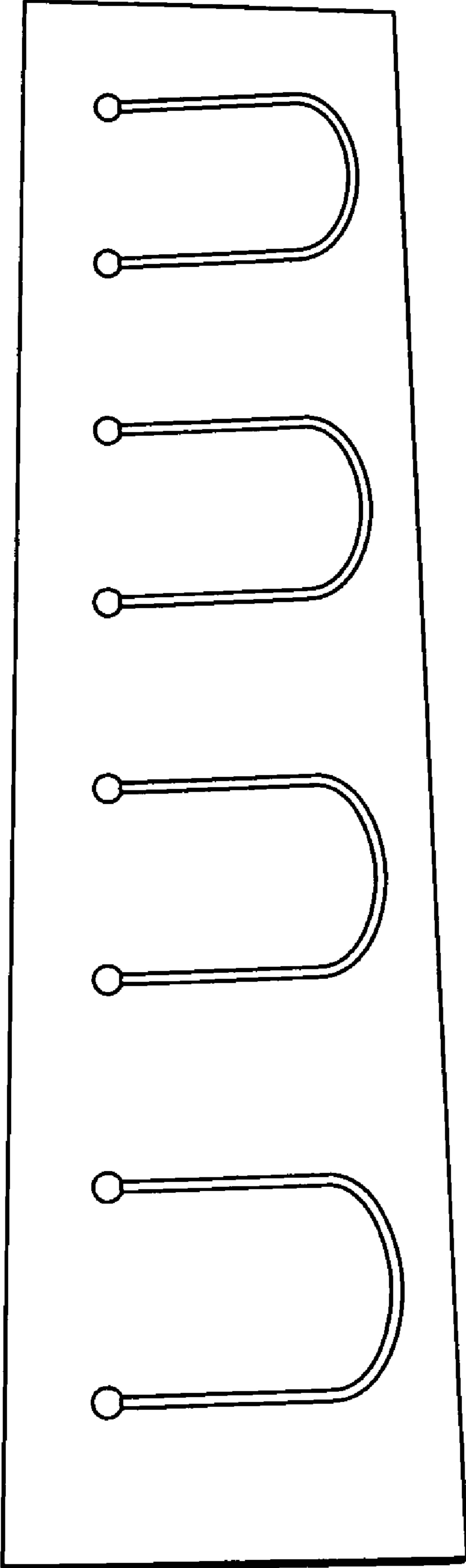


Fig 1

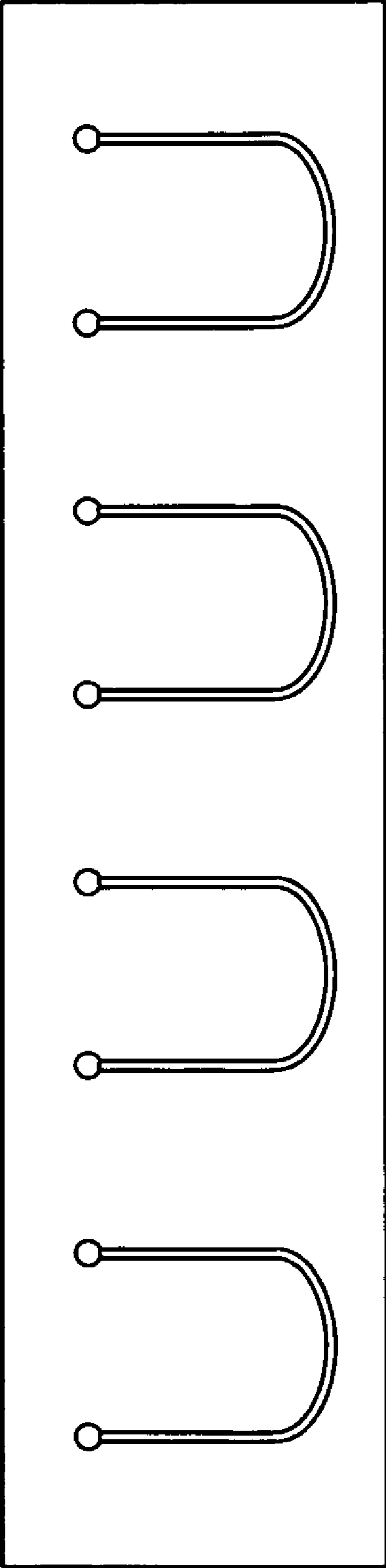


Fig 2

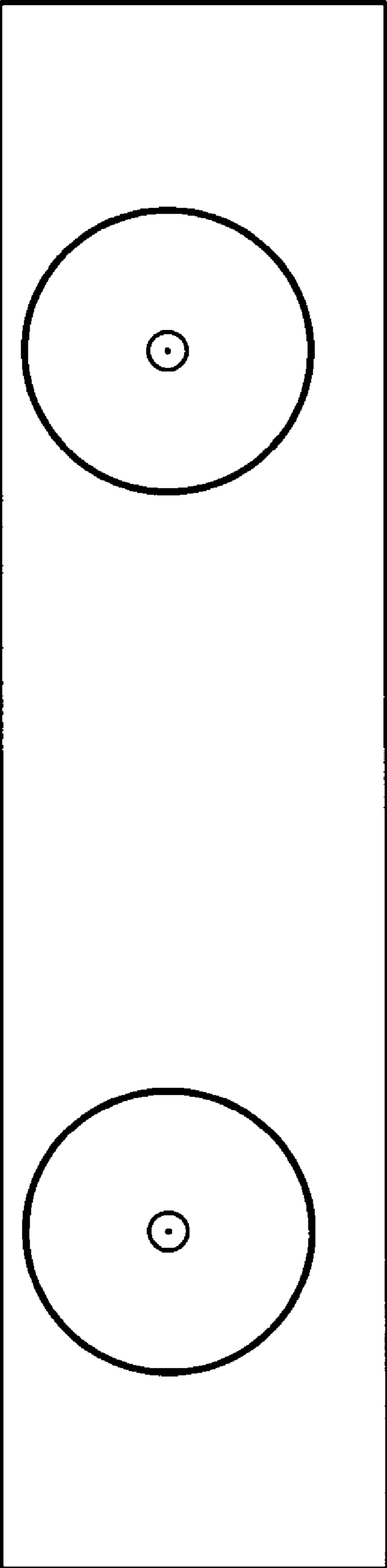


Fig 3

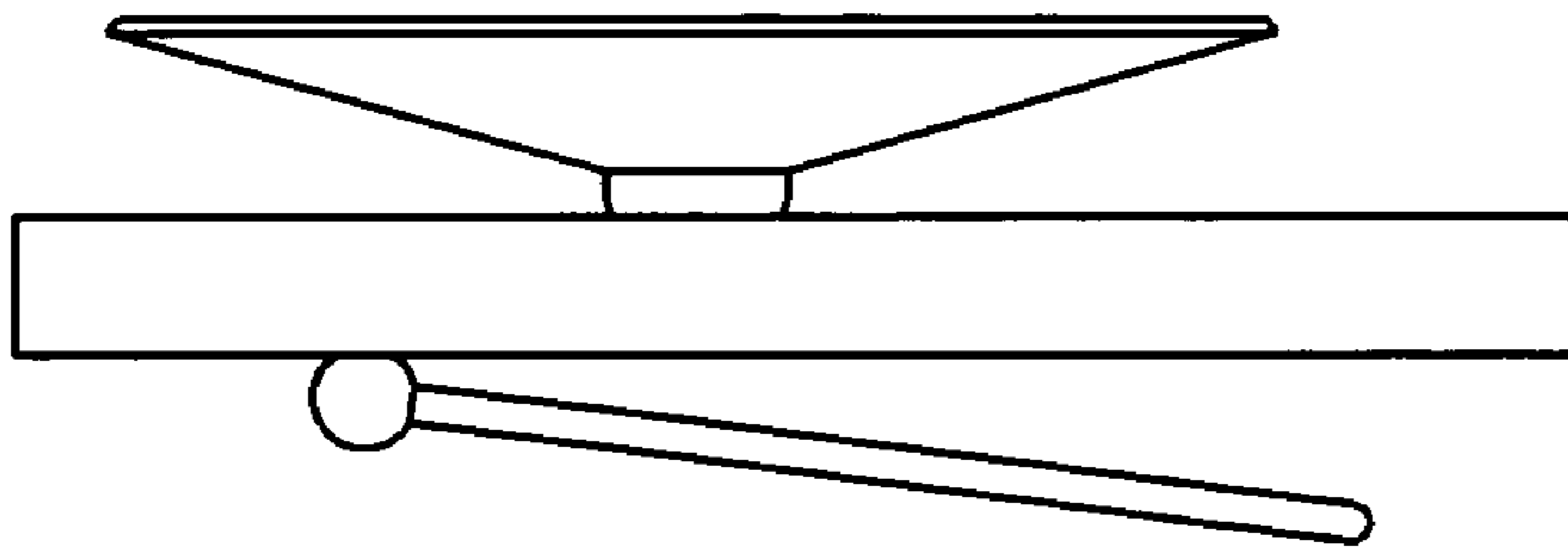


Fig 4

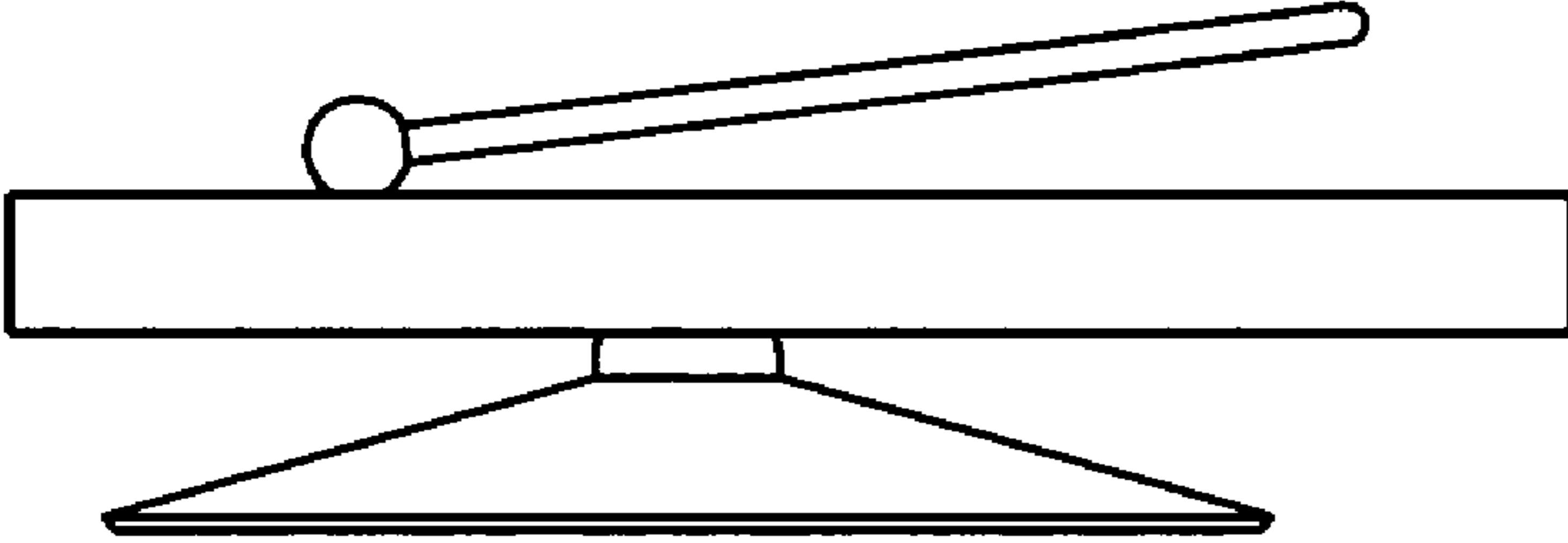


Fig 5

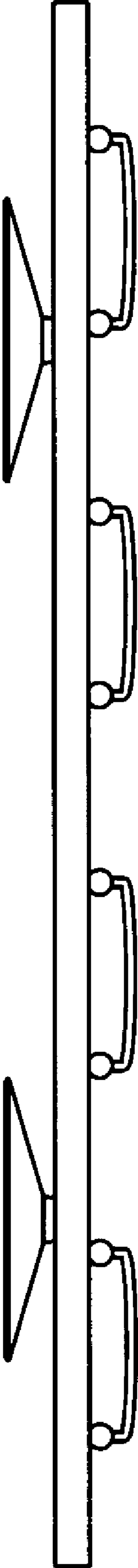


Fig 6

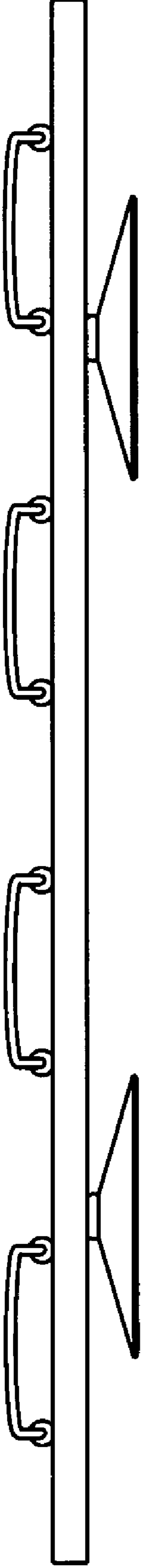


Fig 7