



US00D612647S

(12) **United States Design Patent**  
**Pettigrew**

(10) **Patent No.:** **US D612,647 S**

(45) **Date of Patent:** **\*\* Mar. 30, 2010**

(54) **HOLDER FOR PAPER ROLLS**

(76) Inventor: **Errol L. Pettigrew**, 2287 106th Ave.,  
Elmont, NY (US) 11003

(\*\*) Term: **14 Years**

(21) Appl. No.: **29/345,572**

(22) Filed: **Oct. 19, 2009**

**Related U.S. Application Data**

(62) Division of application No. 29/339,529, filed on Jul. 1, 2009, which is a division of application No. 29/330,678, filed on Jan. 13, 2009, now Pat. No. Des. 597,355, which is a division of application No. 29/302,934, filed on Jan. 29, 2008, now Pat. No. Des. 584,549, which is a division of application No. 29/276,290, filed on Jan. 22, 2007, now Pat. No. Des. 564,813.

(51) **LOC (9) Cl.** ..... **20-02**

(52) **U.S. Cl.** ..... **D6/520**

(58) **Field of Classification Search** ..... D6/515-523,  
D6/546-550; 206/389; 221/282-283; 312/34.8;  
242/570, 590, 598, 560

See application file for complete search history.

(56) **References Cited**

**U.S. PATENT DOCUMENTS**

D482,916 S \* 12/2003 Smurlick et al. .... D6/518

|              |        |                      |        |
|--------------|--------|----------------------|--------|
| D486,332 S * | 2/2004 | Hoernig .....        | D6/520 |
| D486,681 S * | 2/2004 | Hoernig .....        | D6/523 |
| D506,632 S * | 6/2005 | Holsclaw .....       | D6/520 |
| D513,680 S * | 1/2006 | Snell .....          | D6/523 |
| D540,591 S * | 4/2007 | Snell .....          | D6/523 |
| D540,593 S * | 4/2007 | Hoernig .....        | D6/523 |
| D541,089 S * | 4/2007 | Massaud .....        | D6/523 |
| D547,985 S * | 8/2007 | Kubota .....         | D6/522 |
| D550,489 S * | 9/2007 | Williams et al. .... | D6/523 |

\* cited by examiner

*Primary Examiner*—Brian N Vinson

(74) *Attorney, Agent, or Firm*—Scully, Scott, Murphy & Presser, P.C.

(57) **CLAIM**

The ornamental design for a holder for paper rolls, as shown and described.

**DESCRIPTION**

FIG. 1 is a front elevational view of the holder for paper rolls showing my new and ornamental design;

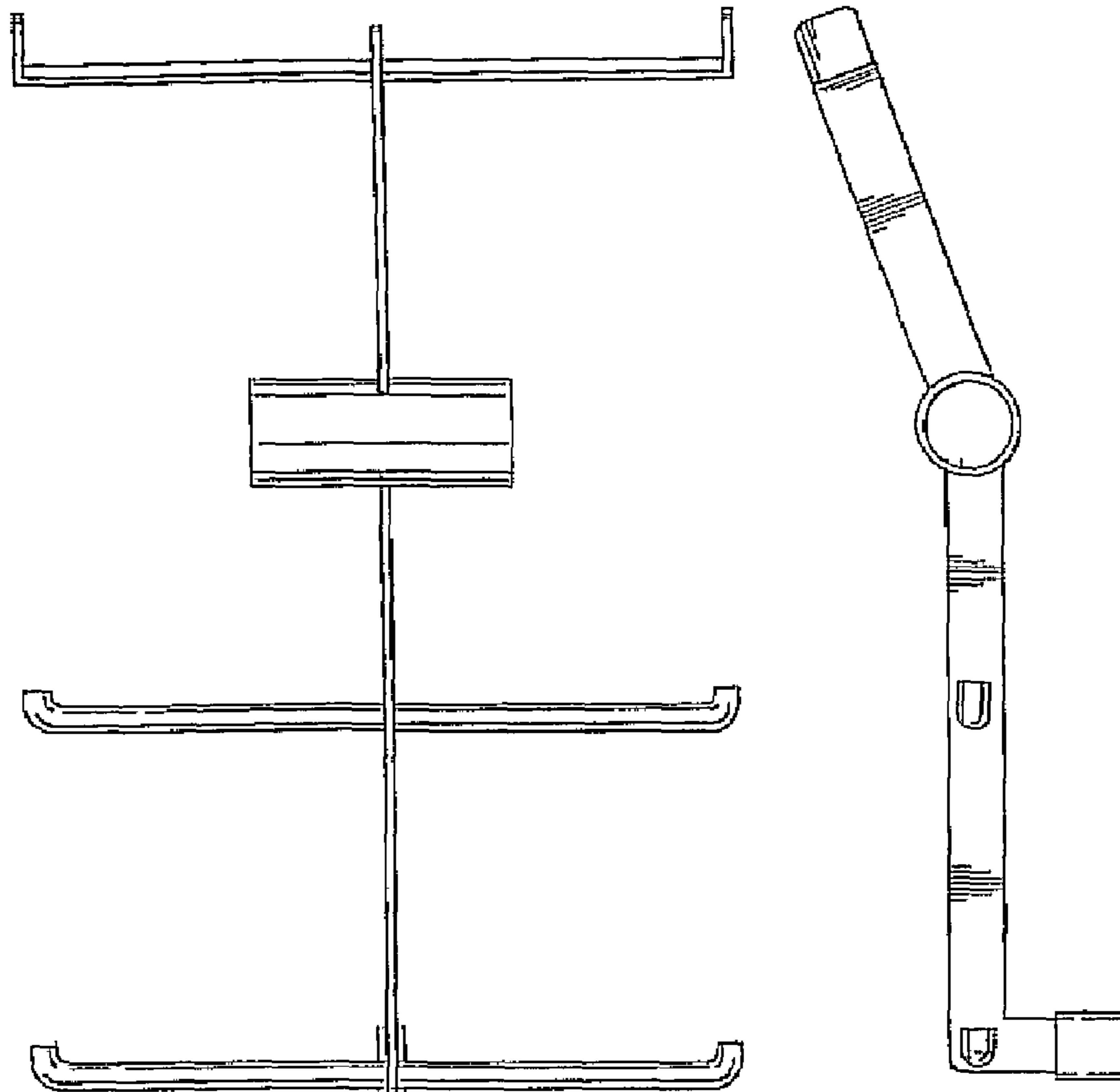
FIG. 2 is a side elevational view, the opposite side being a mirror-image thereof;

FIG. 3 is a rear side elevational view thereof;

FIG. 4 is a top plan view thereof; and,

FIG. 5 is a bottom plan view thereof.

**1 Claim, 1 Drawing Sheet**



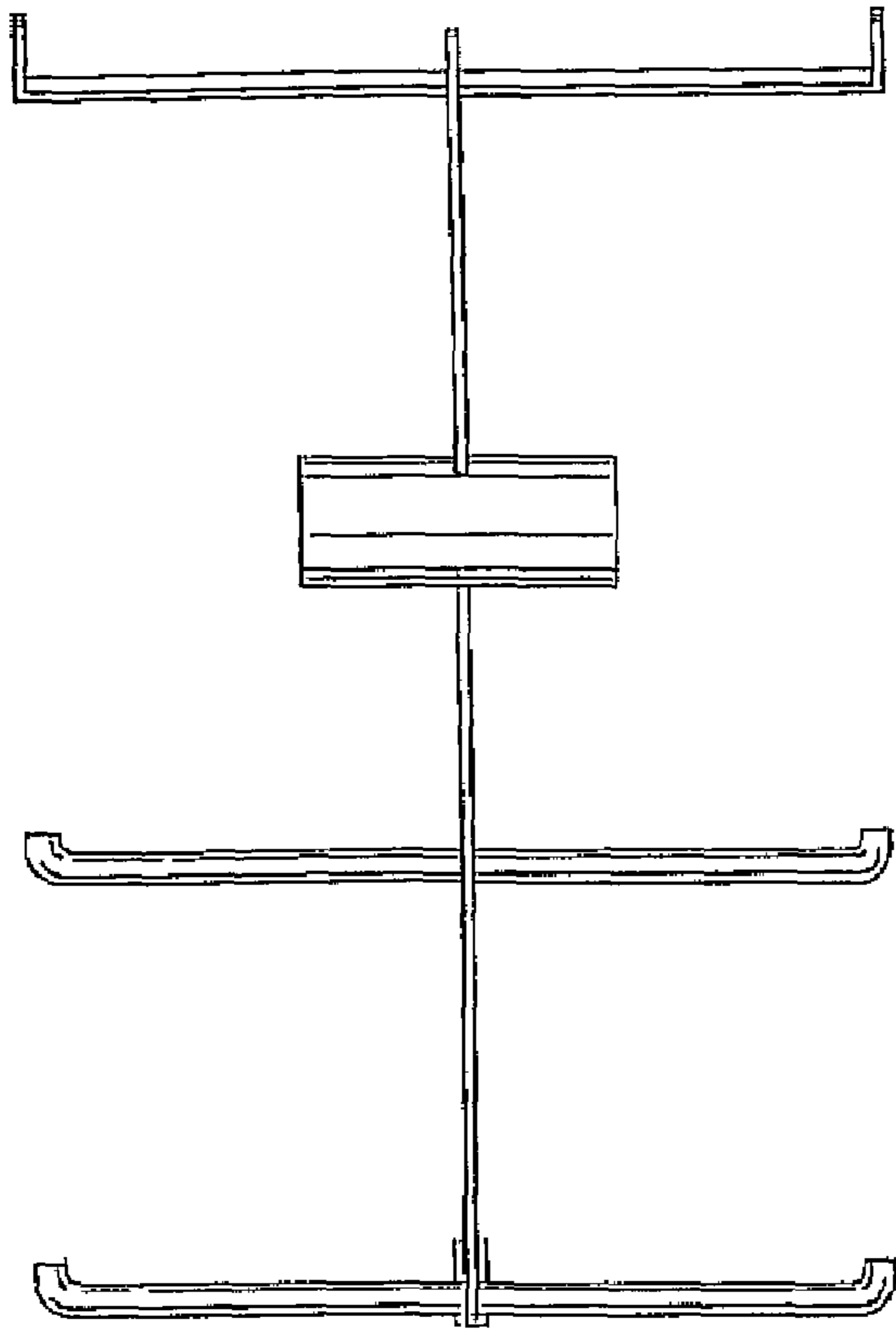


FIGURE 1

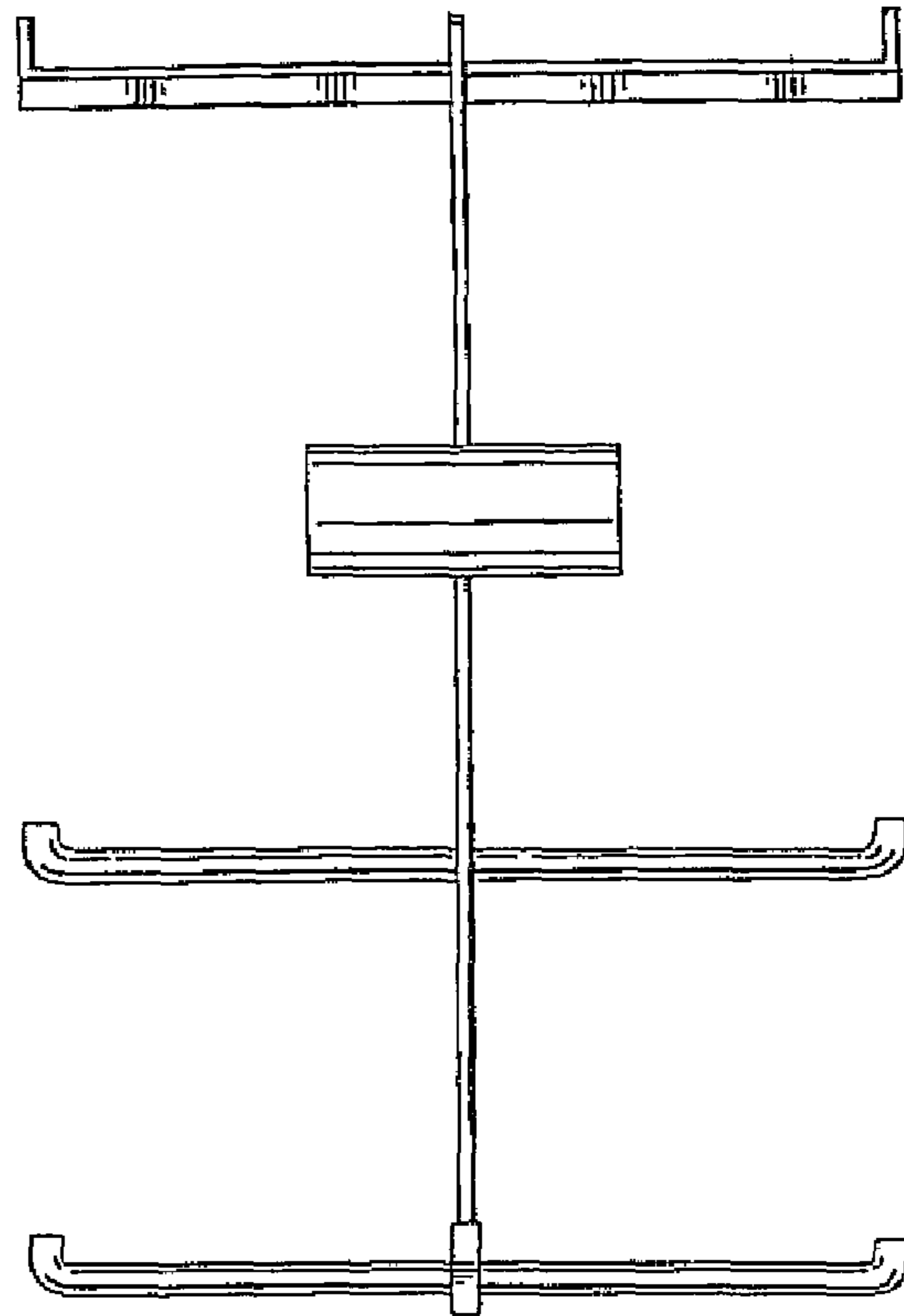


FIGURE 3

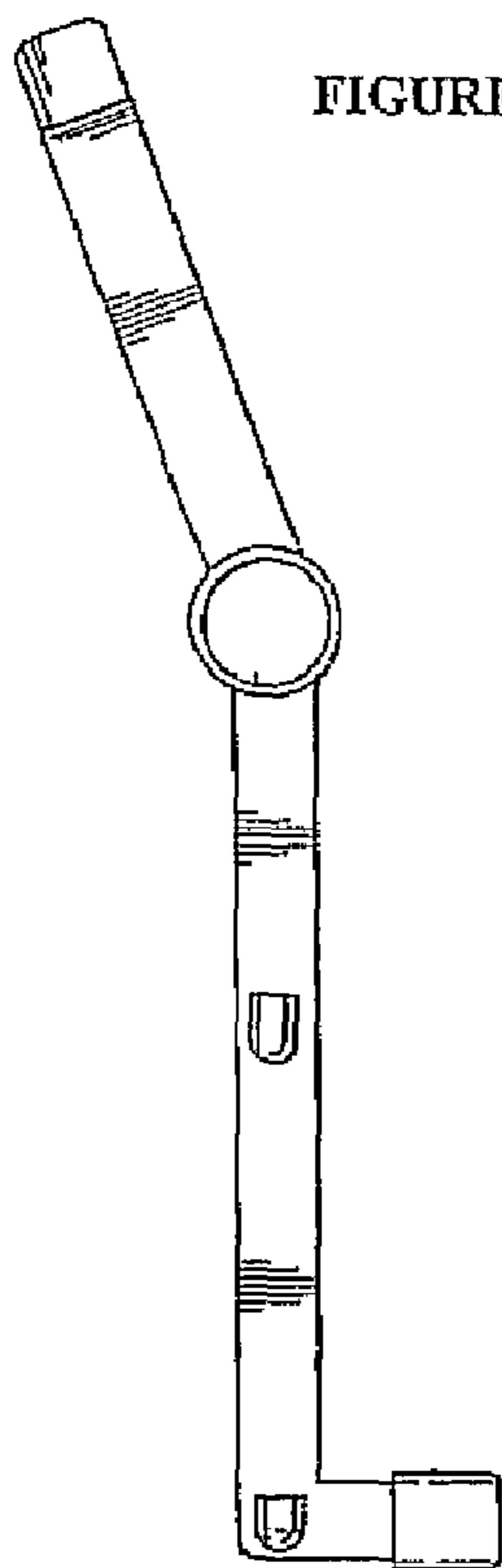


FIGURE 2

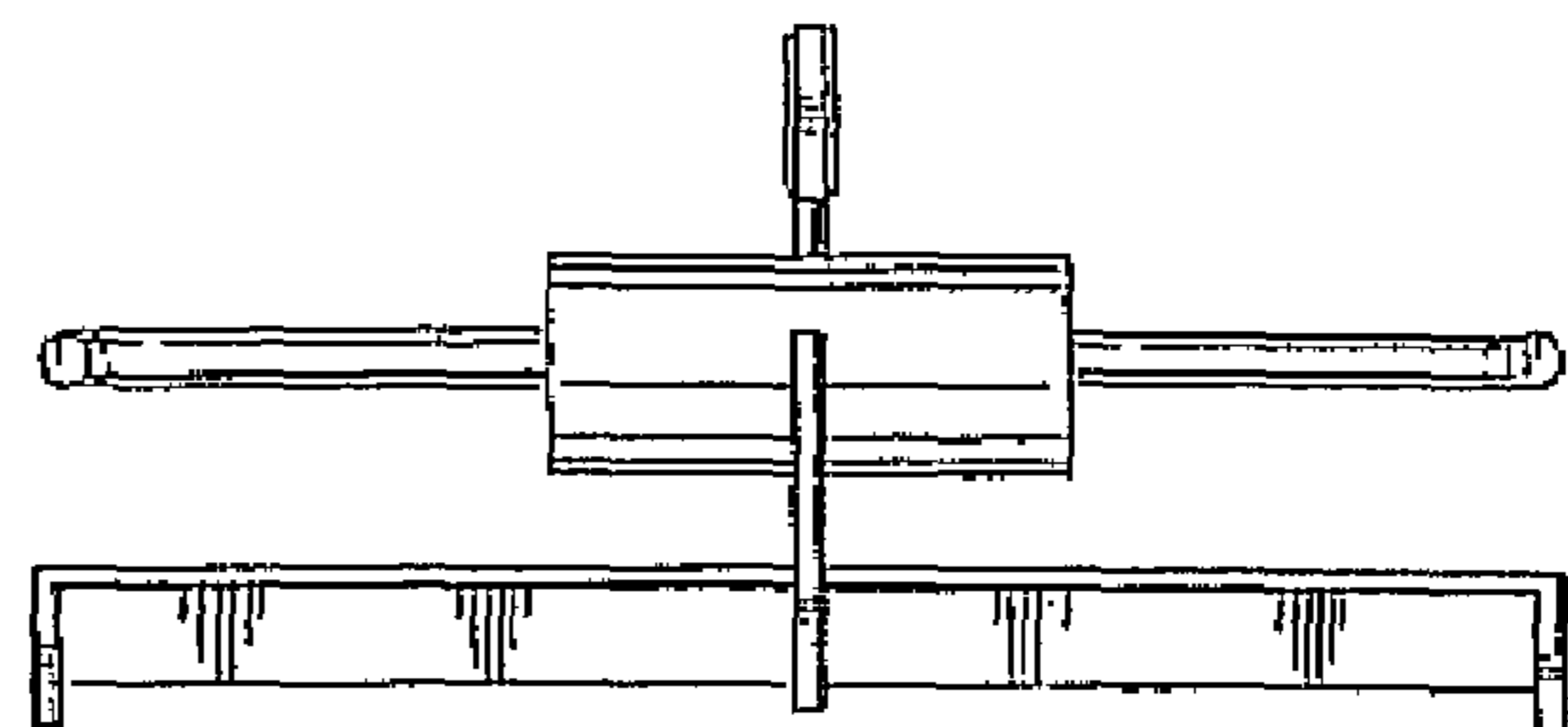


FIGURE 4

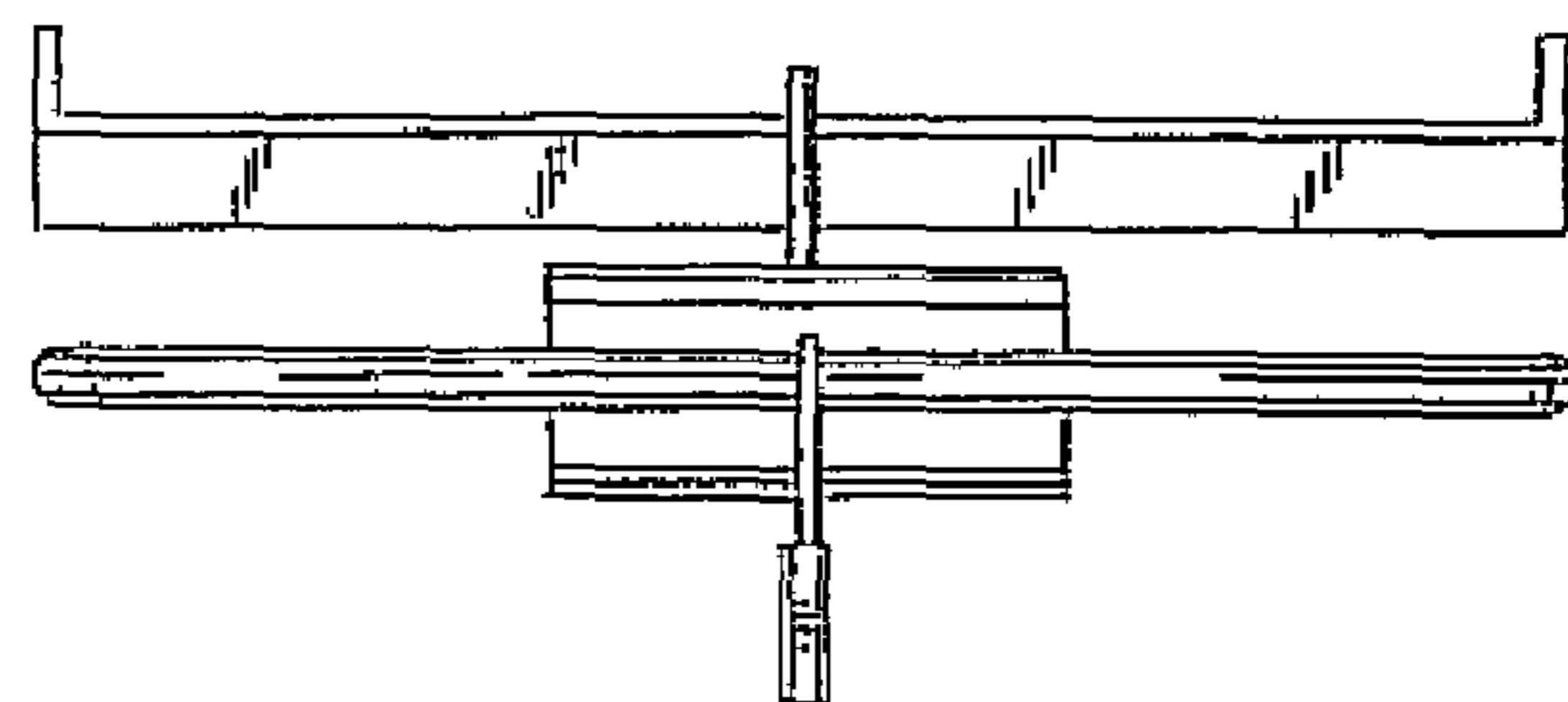


FIGURE 5