



US00D612643S

(12) **United States Design Patent**  
**Rossini et al.**

(10) **Patent No.:** **US D612,643 S**  
(45) **Date of Patent:** **\*\* Mar. 30, 2010**

(54) **MOBILE CART TOP**

(75) Inventors: **Alfred P. Rossini**, Southborough, MA (US); **Louis F. Genatossio**, Shrewsbury, MA (US)

(73) Assignee: **Jaco, Inc.**, Franklin, MA (US)

(\*\*) Term: **14 Years**

(21) Appl. No.: **29/325,150**

(22) Filed: **Sep. 26, 2008**

(51) **LOC (9) Cl.** ..... **06-06**

(52) **U.S. Cl.** ..... **D6/511**

(58) **Field of Classification Search** ..... D6/480-489,  
D6/495-499, 450, 429-431, 511, 422-426;  
108/153.1, 155, 156, 50.01, 50.02, 147.19;  
312/194-196, 203, 239

See application file for complete search history.

(56) **References Cited**

**U.S. PATENT DOCUMENTS**

D407,234 S	*	3/1999	Moen et al.	.....	D6/426
D435,367 S	*	12/2000	Tzeng	.....	D6/480
D442,389 S	*	5/2001	Hwang	.....	D6/426
D443,154 S	*	6/2001	Wang	.....	D6/426
D447,646 S	*	9/2001	Chang	.....	D6/426
D464,212 S	*	10/2002	Chen	.....	D6/425
D492,856 S		7/2004	Rossini		

D493,042 S	7/2004	Rossini
D535,509 S	1/2007	Rossini
2005/0045072 A1	3/2005	Rossini
2005/0178298 A1	8/2005	Rossini

\* cited by examiner

*Primary Examiner*—Janice E Seeger

(74) *Attorney, Agent, or Firm*—Brian M. Dingman; Mirick, O'Connell, DeMallie & Lougee, LLP

(57) **CLAIM**

The ornamental design for a mobile cart top, as shown and described.

**DESCRIPTION**

FIG. 1 is a perspective view of the mobile cart top of the invention;

FIG. 2 is a front view of the mobile cart top of FIG. 1;

FIG. 3 is a rear view of the mobile cart top of FIG. 1;

FIG. 4 is a right side view of the mobile cart top of FIG. 1;

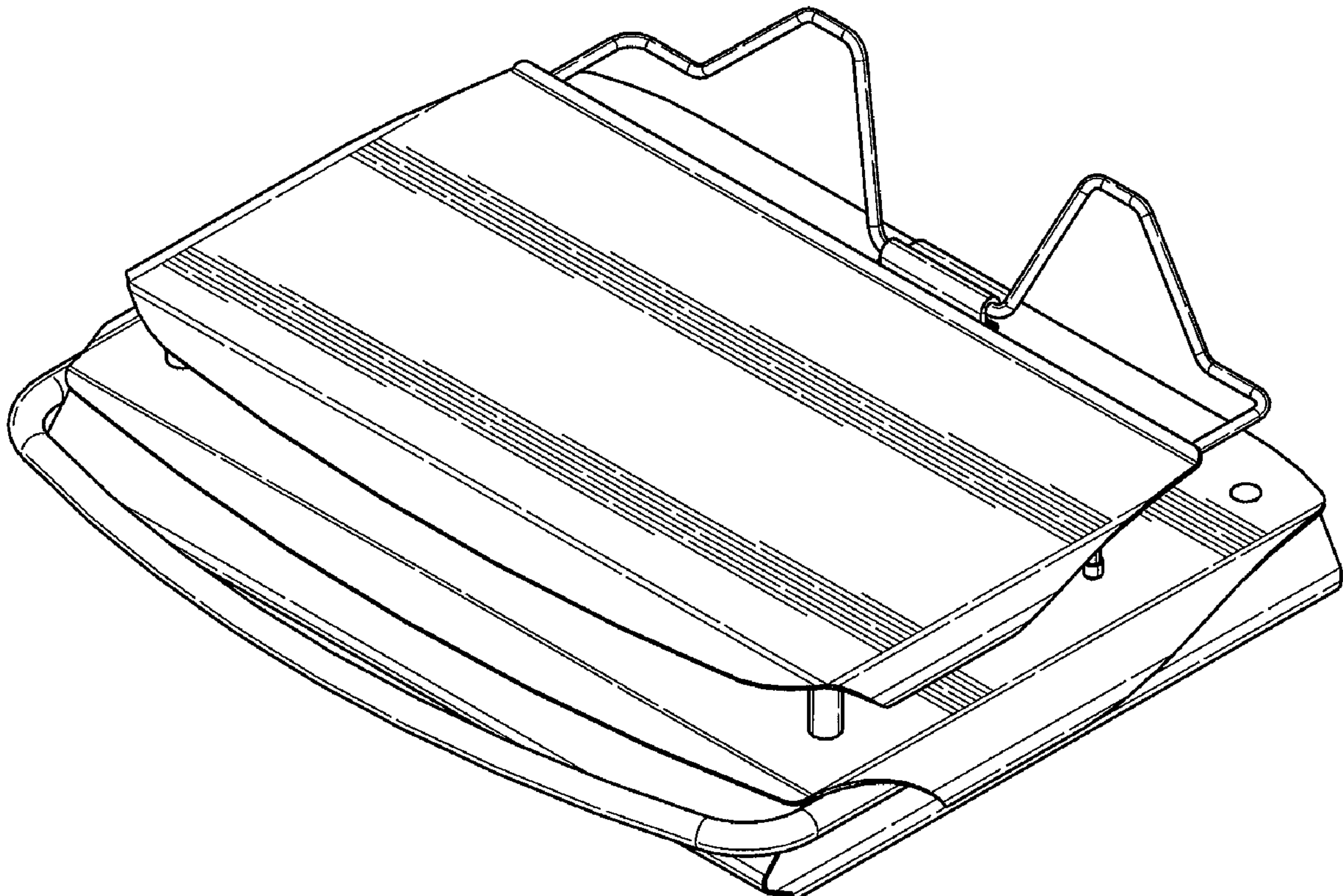
FIG. 5 is a left side view of the mobile cart top of FIG. 1;

FIG. 6 is a top view of the mobile cart top of FIG. 1; and,

FIG. 7 is a bottom view of the mobile cart top of FIG. 1.

The broken lines are for environmental purposes only and form no part of the claimed design.

**1 Claim, 5 Drawing Sheets**



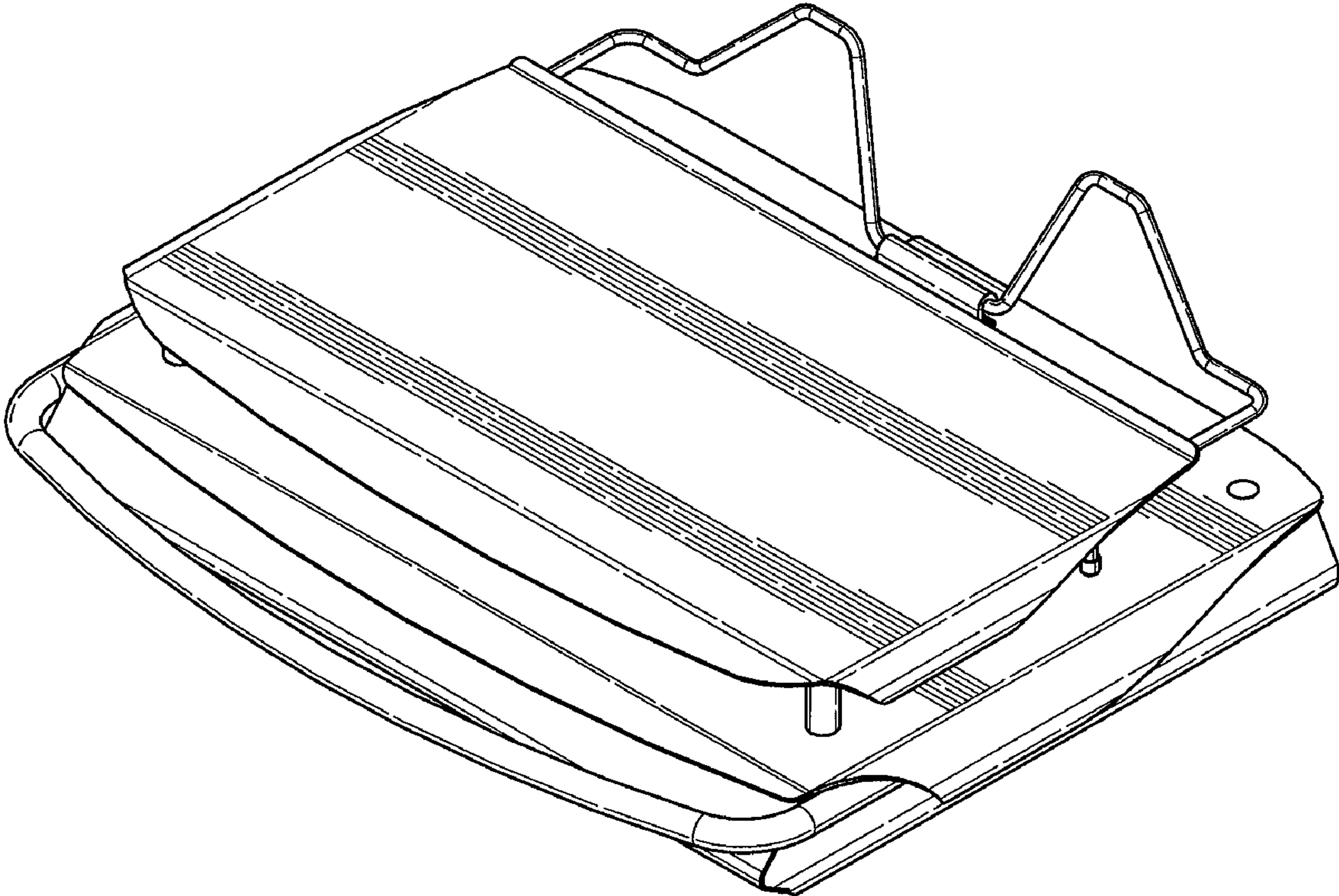


FIG. 1

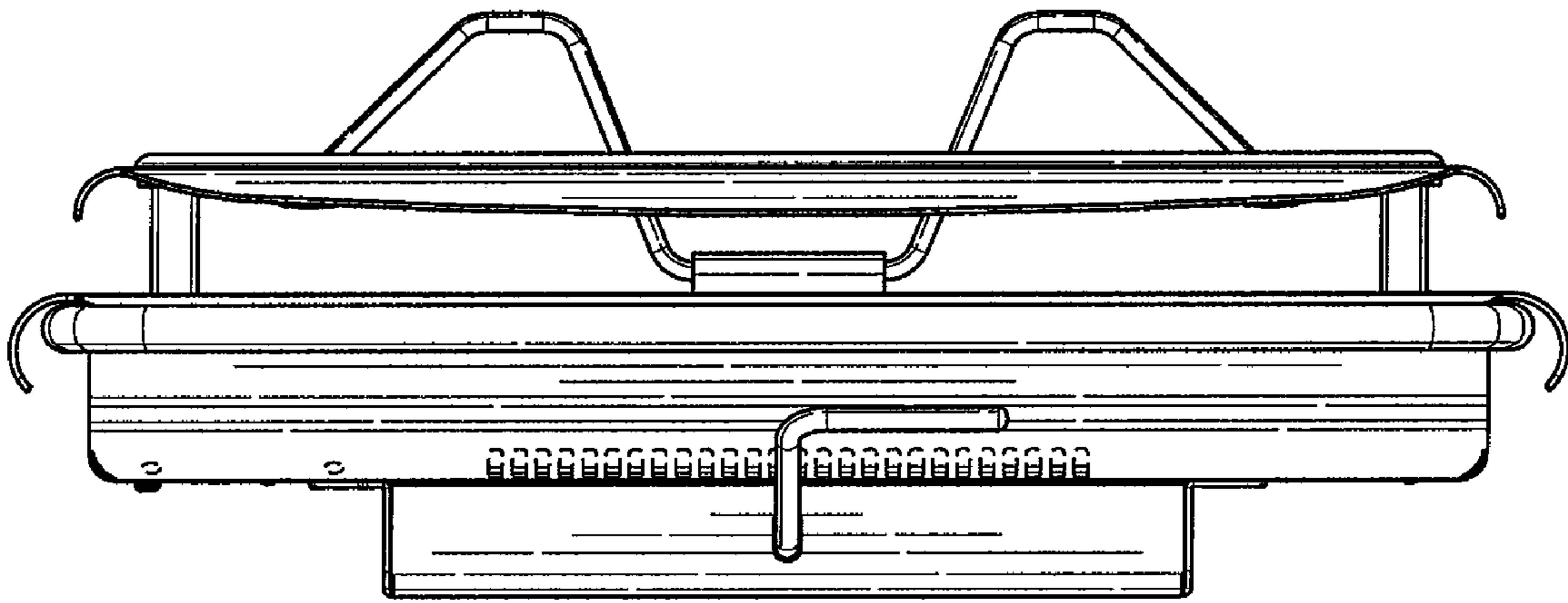


FIG. 2

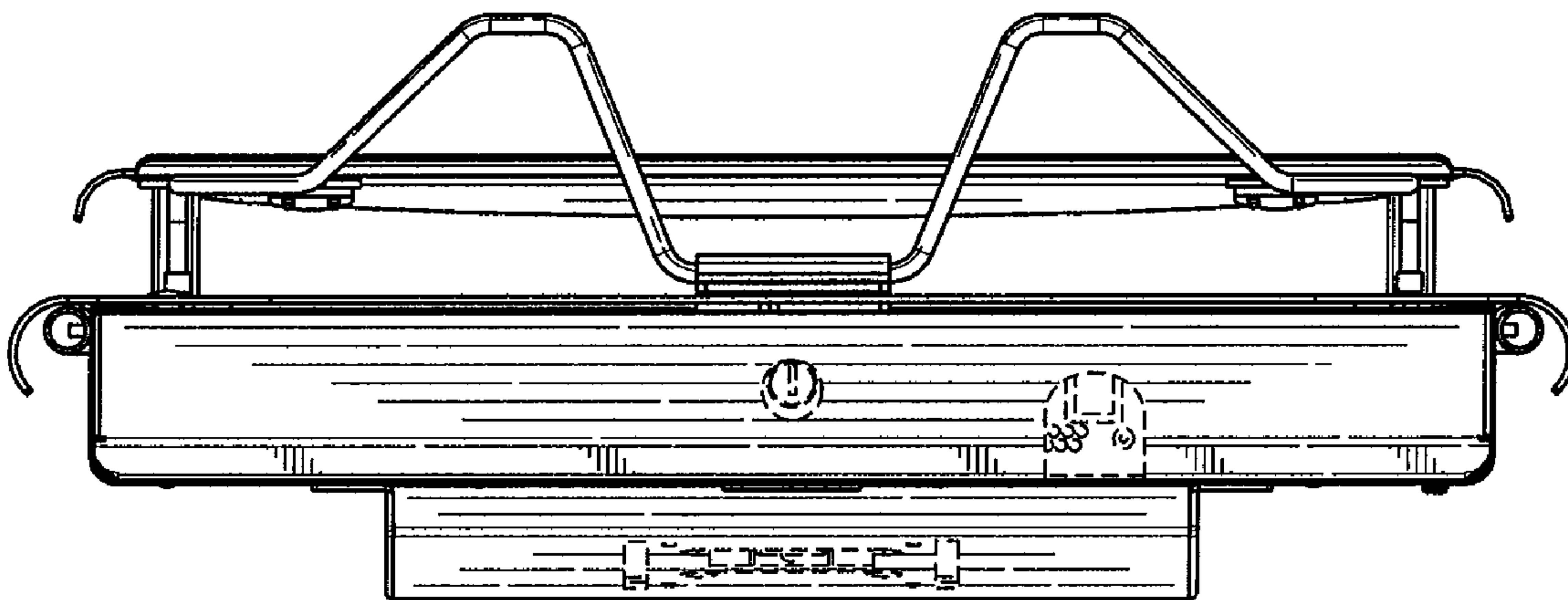


FIG. 3

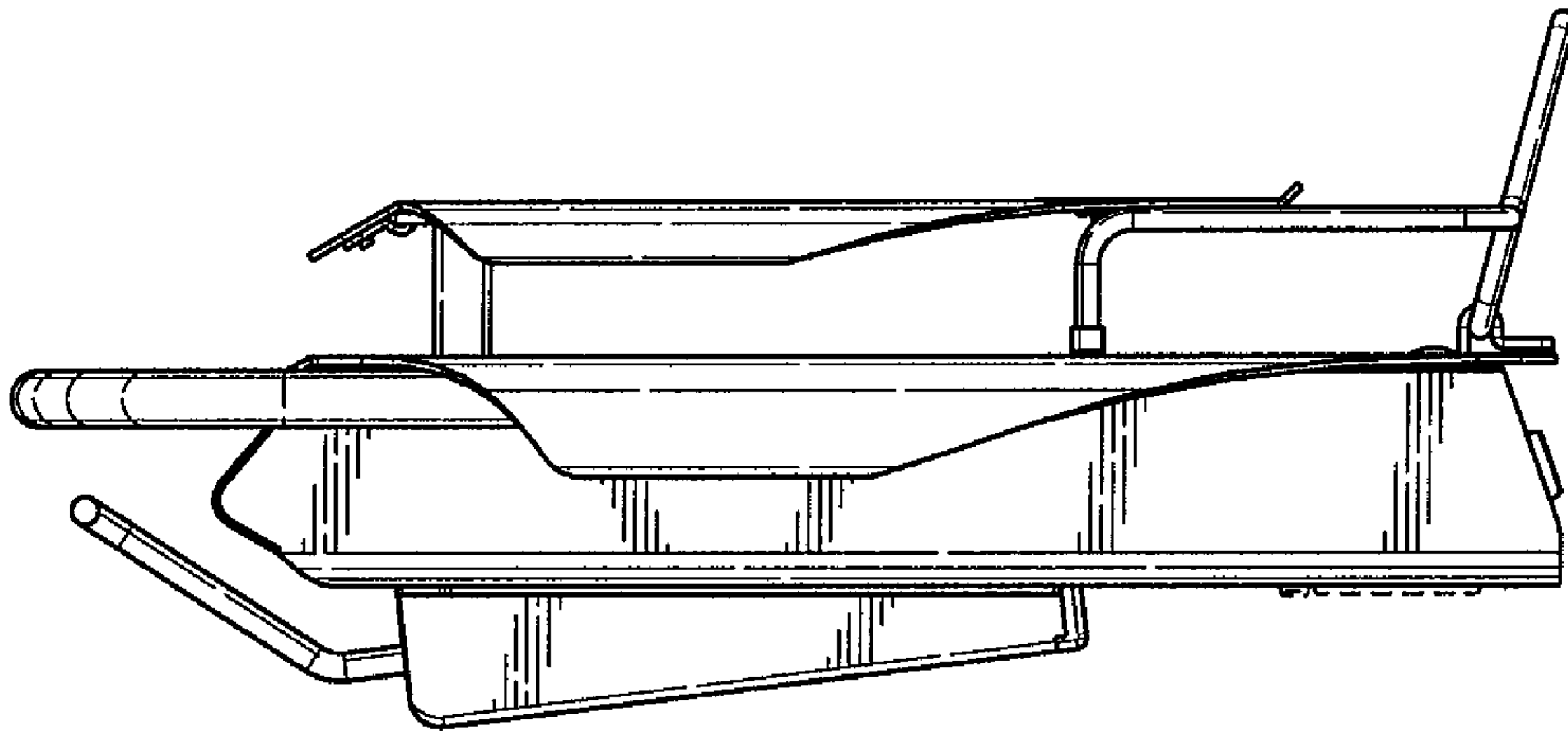


FIG. 4

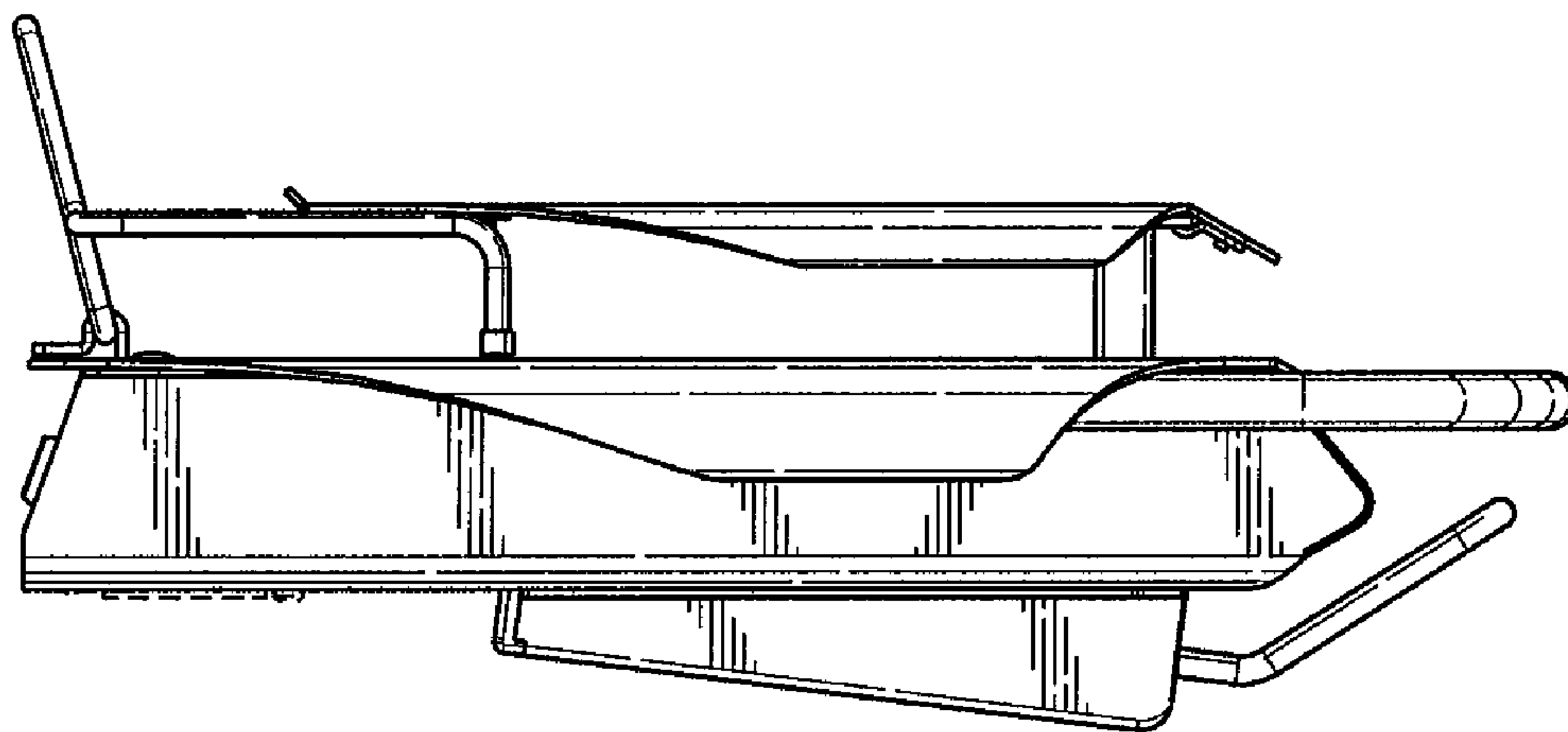


FIG. 5



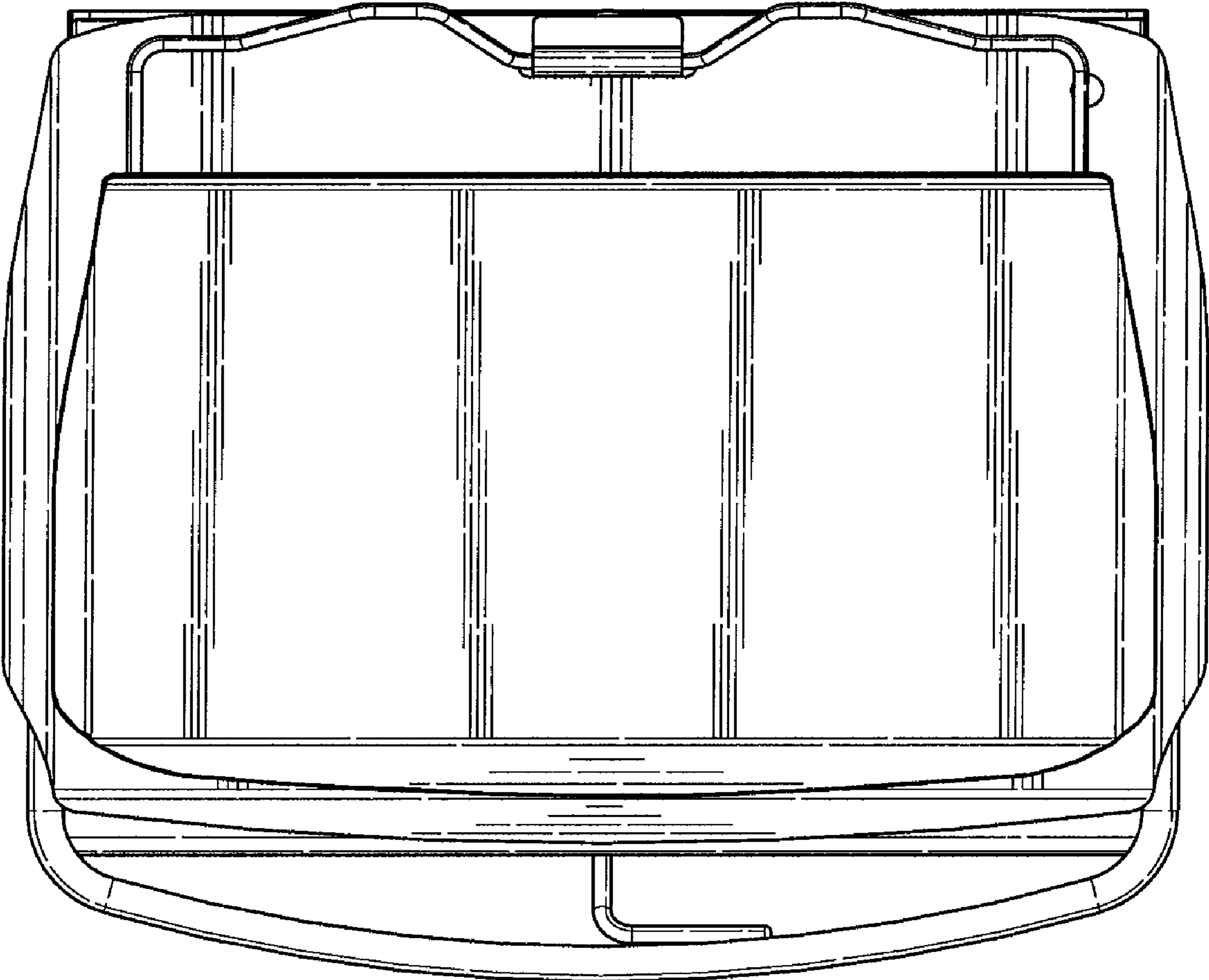


FIG. 6

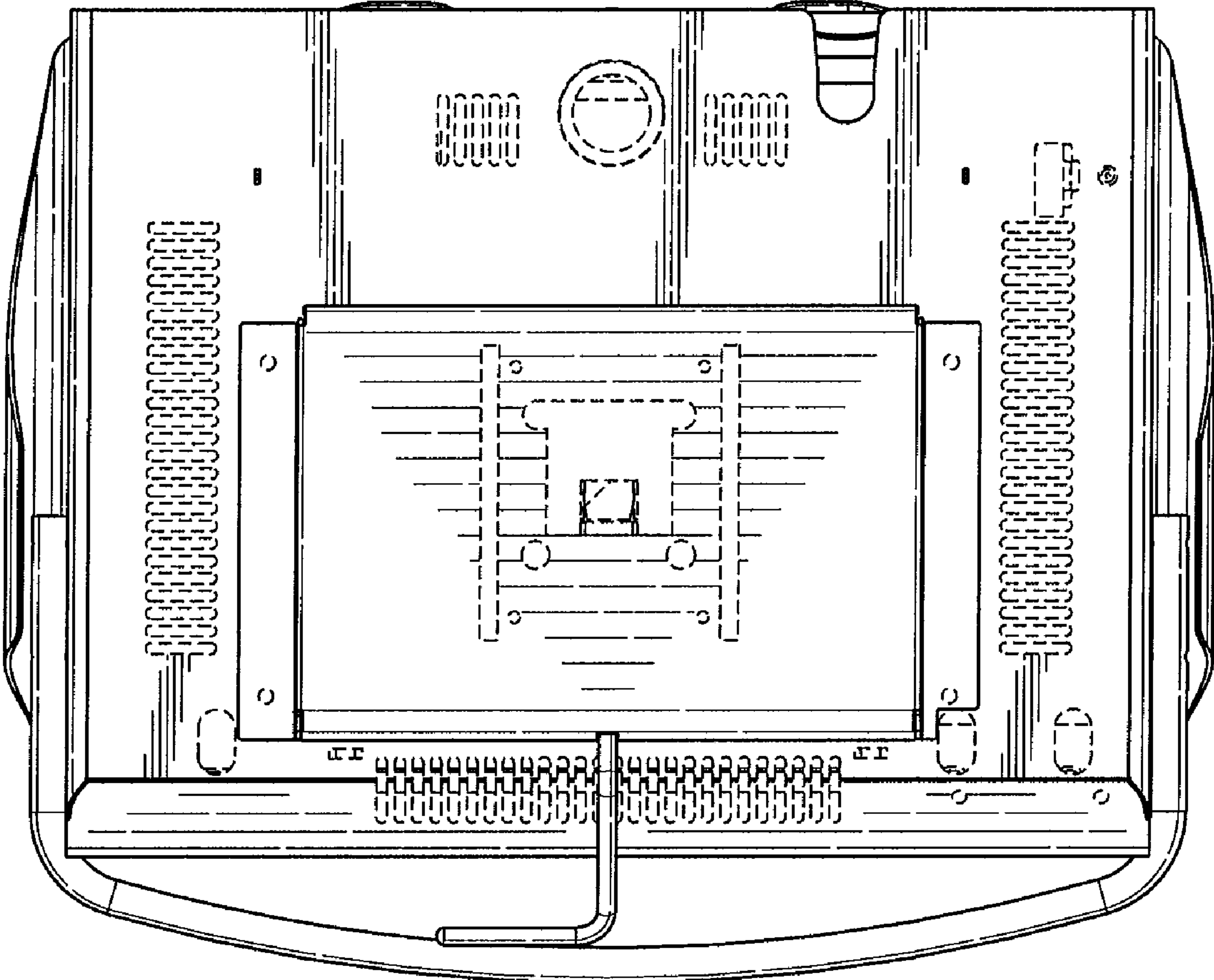


FIG. 7