



US00D612641S

(12) **United States Design Patent**  
**Smit**

(10) **Patent No.:** **US D612,641 S**  
(45) **Date of Patent:** **\*\* Mar. 30, 2010**

(54) **SEAT FOR A PLAYSEAT**

(75) Inventor: **Fernando Smit**, Doetinchem (NL)

(73) Assignee: **F. Smit Holding B.V.** (NL)

(\*\*) Term: **14 Years**

(21) Appl. No.: **29/340,906**

(22) Filed: **Jul. 28, 2009**

(30) **Foreign Application Priority Data**

Jan. 28, 2009	(EM)	.....	1077754-0001
Jan. 28, 2009	(EM)	.....	1077754-0002
Jan. 28, 2009	(EM)	.....	1077754-0003

(51) **LOC (9) Cl.** ..... **06-01**

(52) **U.S. Cl.** ..... **D6/500; D6/366**

(58) **Field of Classification Search** ..... D6/334-336,  
D6/338, 356, 364, 365, 366, 367, 368, 374,  
D6/375, 498, 500-502; 297/135, 172, 173,  
297/174 R, 188.21, 217.3, 217.4, 411.27,  
297/411.36, 445.1, 446.1, 452.12, 452.29  
See application file for complete search history.

(56) **References Cited**

**U.S. PATENT DOCUMENTS**

D283,469	S	*	4/1986	Zimmerman	.....	D6/356
4,880,270	A	*	11/1989	Cooper	.....	297/188.21
D411,690	S	*	6/1999	Kneip et al.	.....	D6/356

D465,343	S	*	11/2002	Daneault	.....	D6/338
D509,077	S	*	9/2005	Beermann et al.	.....	D6/356
D513,894	S	*	1/2006	Juraschek	.....	D6/356
D532,211	S	*	11/2006	Su	.....	D6/366
D542,547	S	*	5/2007	Su	.....	D6/366
D549,475	S	*	8/2007	Su	.....	D6/366
D587,476	S	*	3/2009	Lenterman	.....	D6/366
D598,207	S	*	8/2009	Smit	.....	D6/335

\* cited by examiner

*Primary Examiner*—Mimosa De

(74) *Attorney, Agent, or Firm*—Jennifer Lacroix, Esq.; DLA Piper LLP US

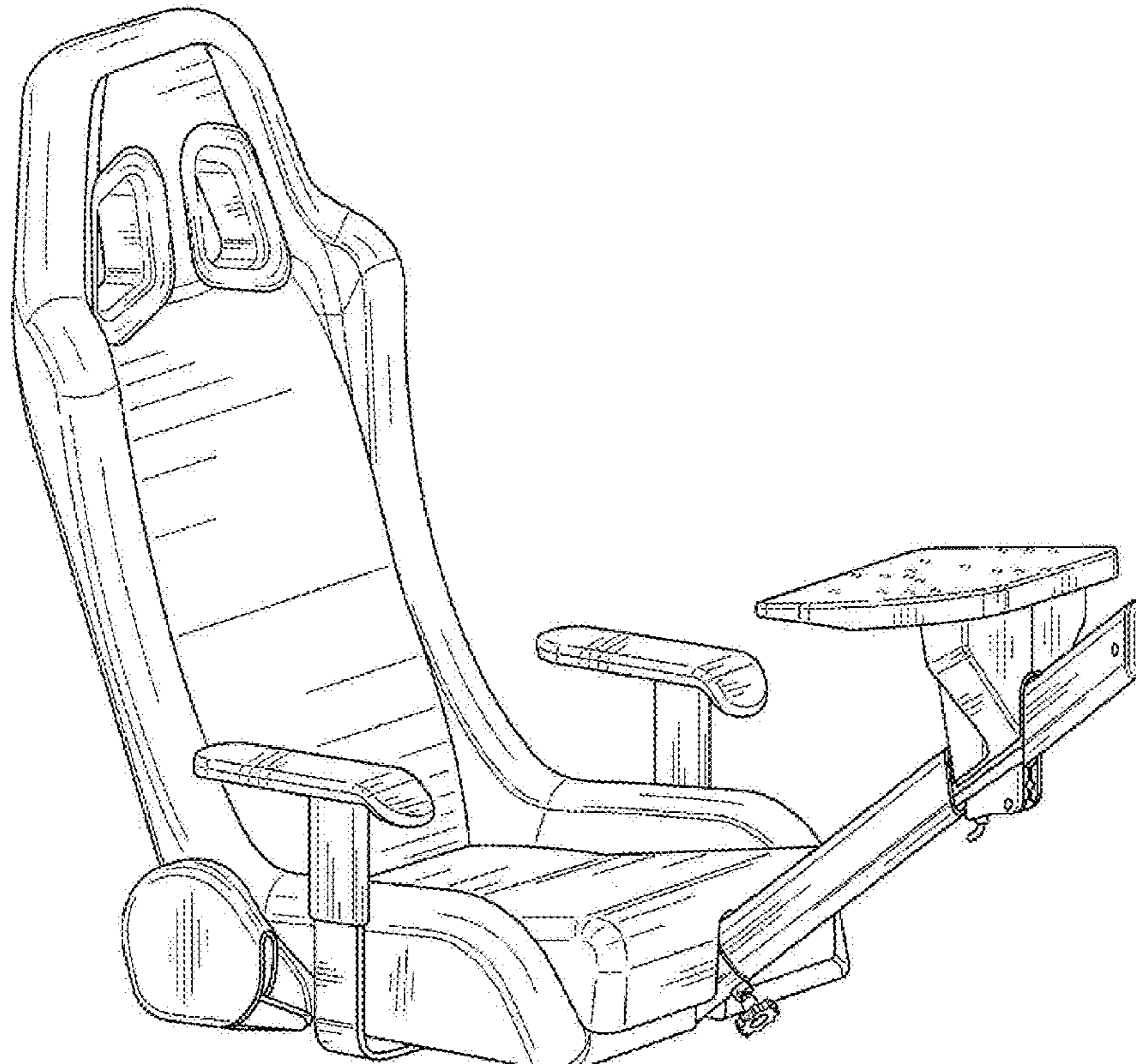
(57) **CLAIM**

The ornamental design for an seat for a playseat, as shown and described.

**DESCRIPTION**

FIG. 1 is a left perspective view of the seat for a playseat;  
FIG. 2 is a right perspective view of the seat for a playseat;  
FIG. 3 is a right side elevational view of the seat for a playseat;  
and,  
FIG. 4 is a left side elevational view of the seat for a playseat.  
The broken lines in the drawings are included for the purpose of illustrating environmental structure and form no part of the claimed design.

**1 Claim, 4 Drawing Sheets**



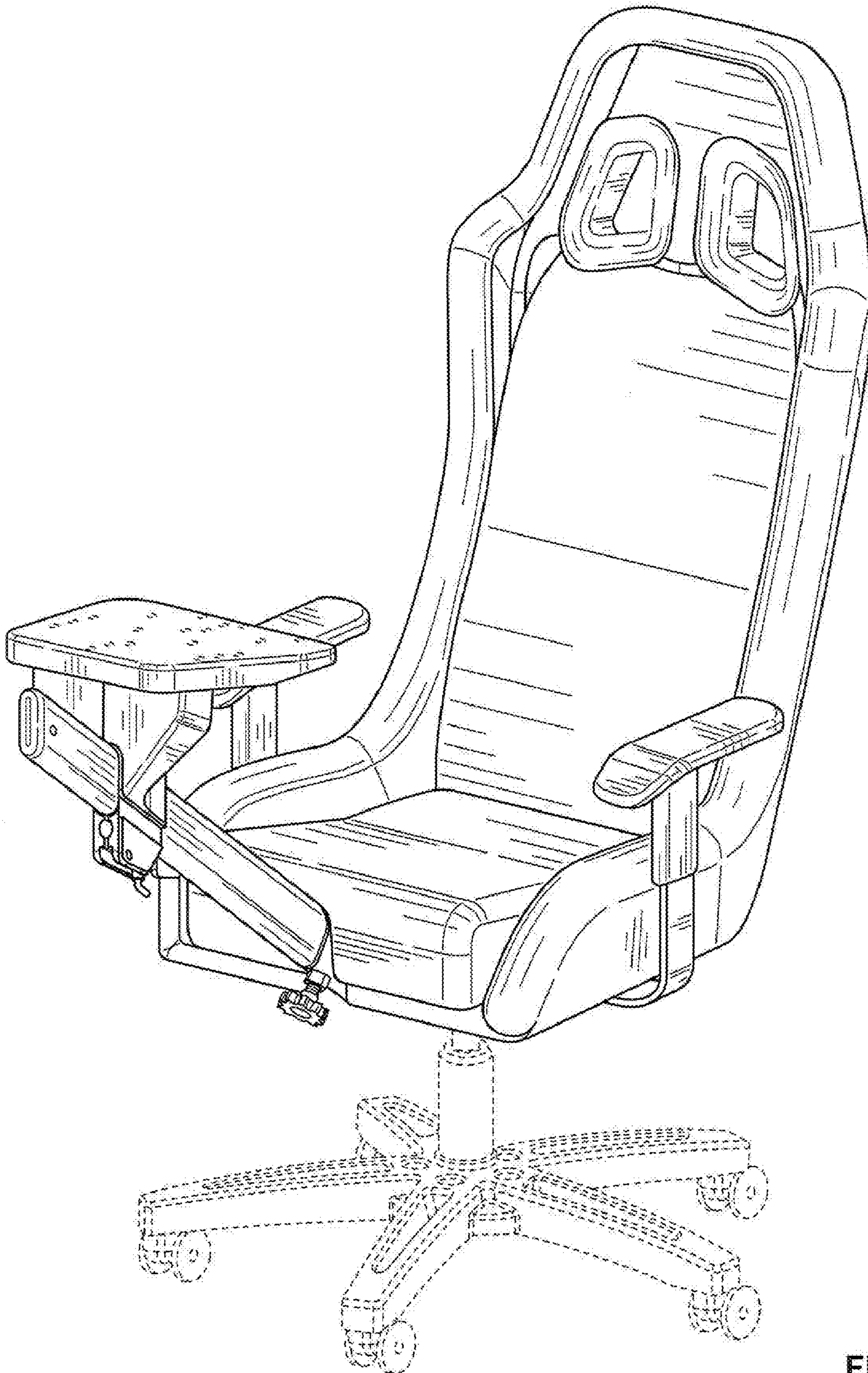


FIG. 1

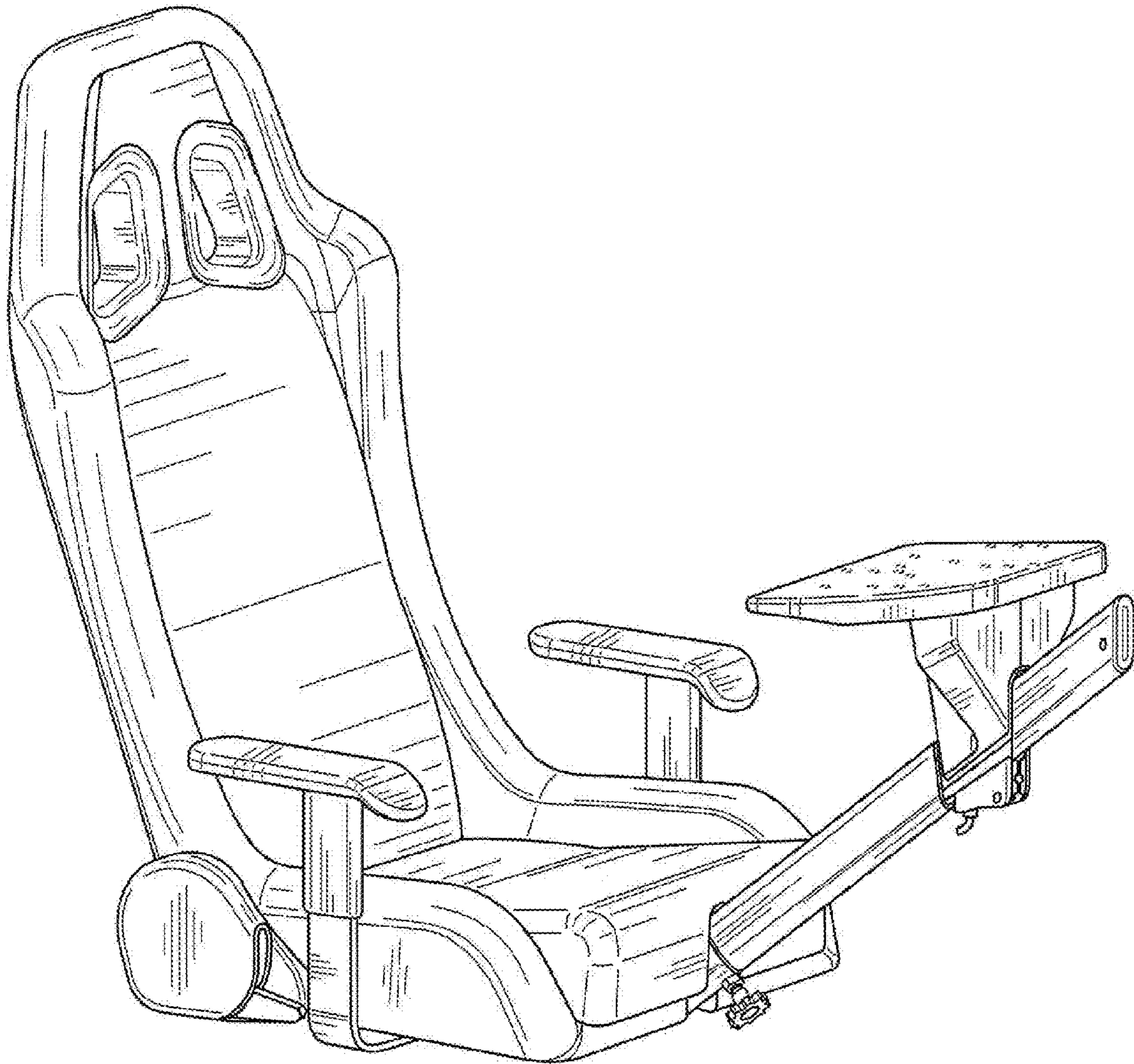


FIG. 2

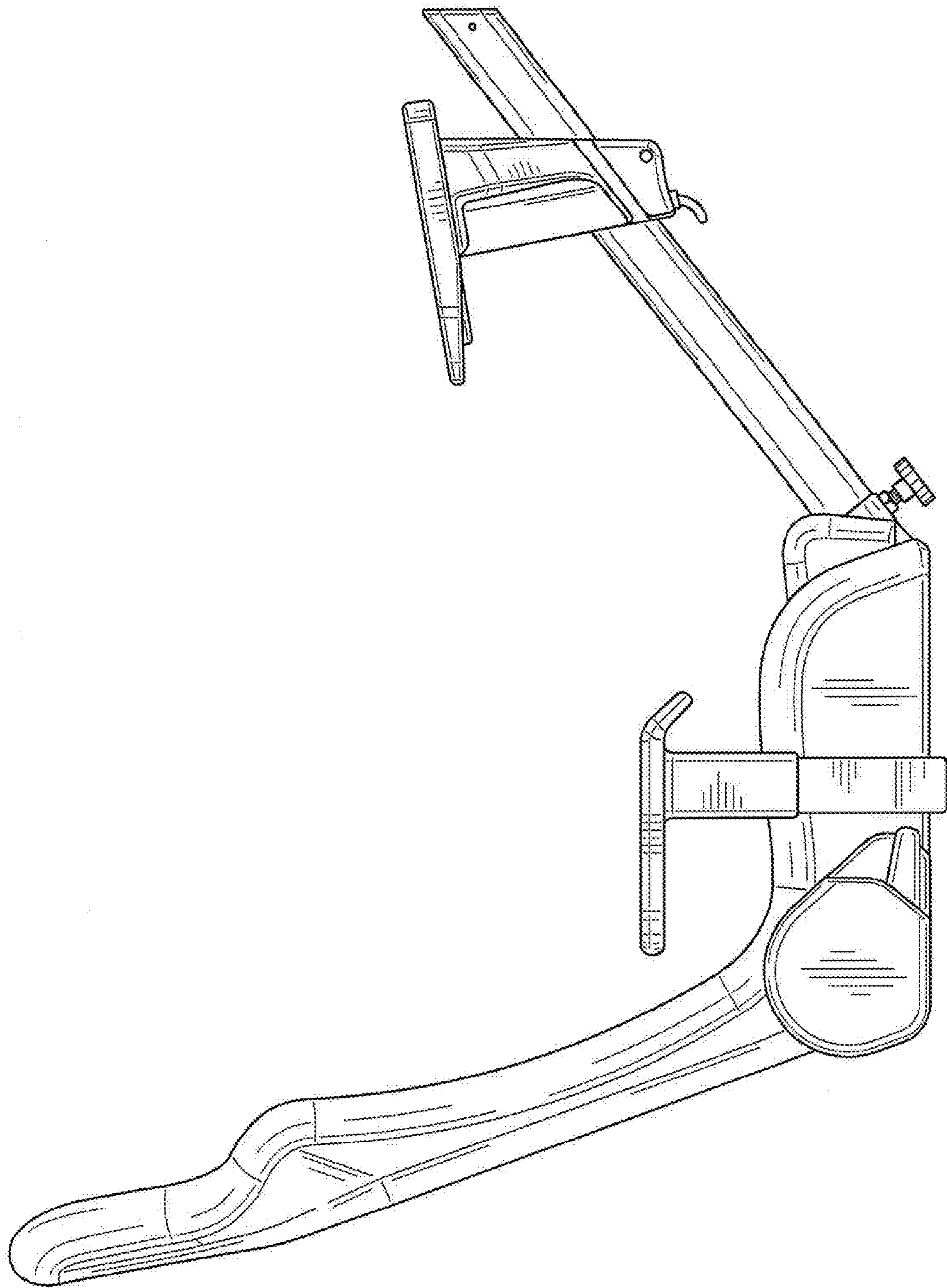


FIG. 3

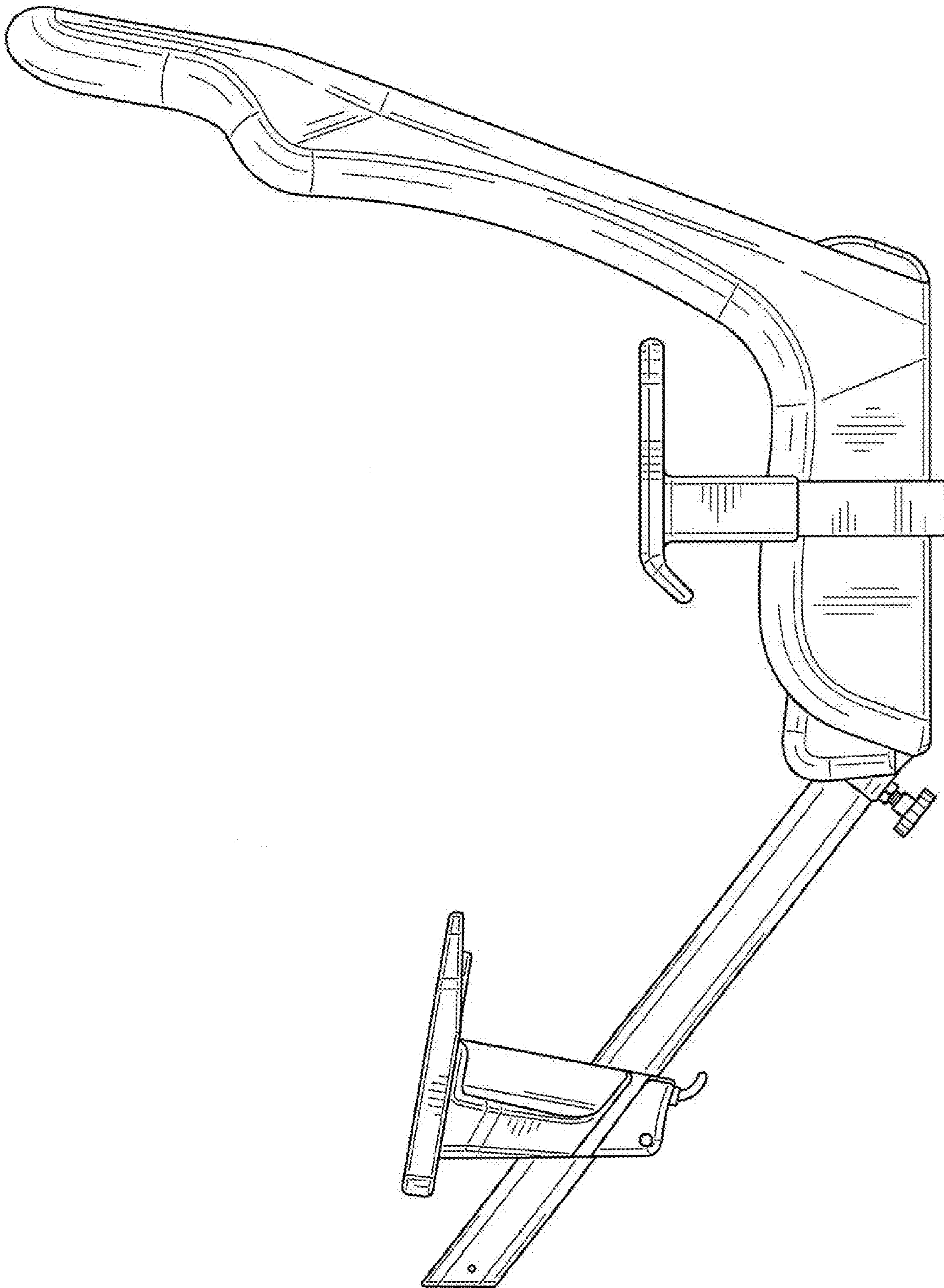


FIG. 4