



US00D612639S

(12) **United States Design Patent**  
**Smit**

(10) **Patent No.:** **US D612,639 S**  
(45) **Date of Patent:** **\*\* Mar. 30, 2010**

(54) **UNDER-CARRIAGE FOR A PLAYSEAT**

D562,037 S \* 2/2008 Kaloustian ..... D6/498

(75) Inventor: **Fernando Smit**, Doetinchem (NL)

\* cited by examiner

(73) Assignee: **F. Smit Holding B.V.** (NL)

*Primary Examiner*—Mimosa De

(\*\*) Term: **14 Years**

(74) *Attorney, Agent, or Firm*—Jennifer Lacroix, Esq.; DLA Piper LLP US

(21) Appl. No.: **29/340,908**

(57) **CLAIM**

(22) Filed: **Jul. 28, 2009**

The ornamental design for an under-carriage for a playseat, as shown and described.

(30) **Foreign Application Priority Data**

**DESCRIPTION**

Jan. 28, 2009 (EM) ..... 1077754-0001  
Jan. 28, 2009 (EM) ..... 1077754-0002  
Jan. 28, 2009 (EM) ..... 1077754-0003

FIG. 1 is a left perspective view of the under-carriage for a playseat;

(51) **LOC (9) Cl.** ..... **06-01**

FIG. 2 is a right perspective view of the under-carriage for a playseat;

(52) **U.S. Cl.** ..... **D6/498**

FIG. 3 is a right side elevational view of the under-carriage for a playseat;

(58) **Field of Classification Search** ..... D6/334–336,  
D6/364, 365, 366, 367, 498, 500–502; 248/188.7;  
297/344.18, 358, 411.2, 411.27, 411.28,  
297/463.1

FIG. 4 is a left side elevational view of the under-carriage for a playseat;

See application file for complete search history.

FIG. 5 is a bottom perspective view of the under-carriage for a playseat; and,

(56) **References Cited**

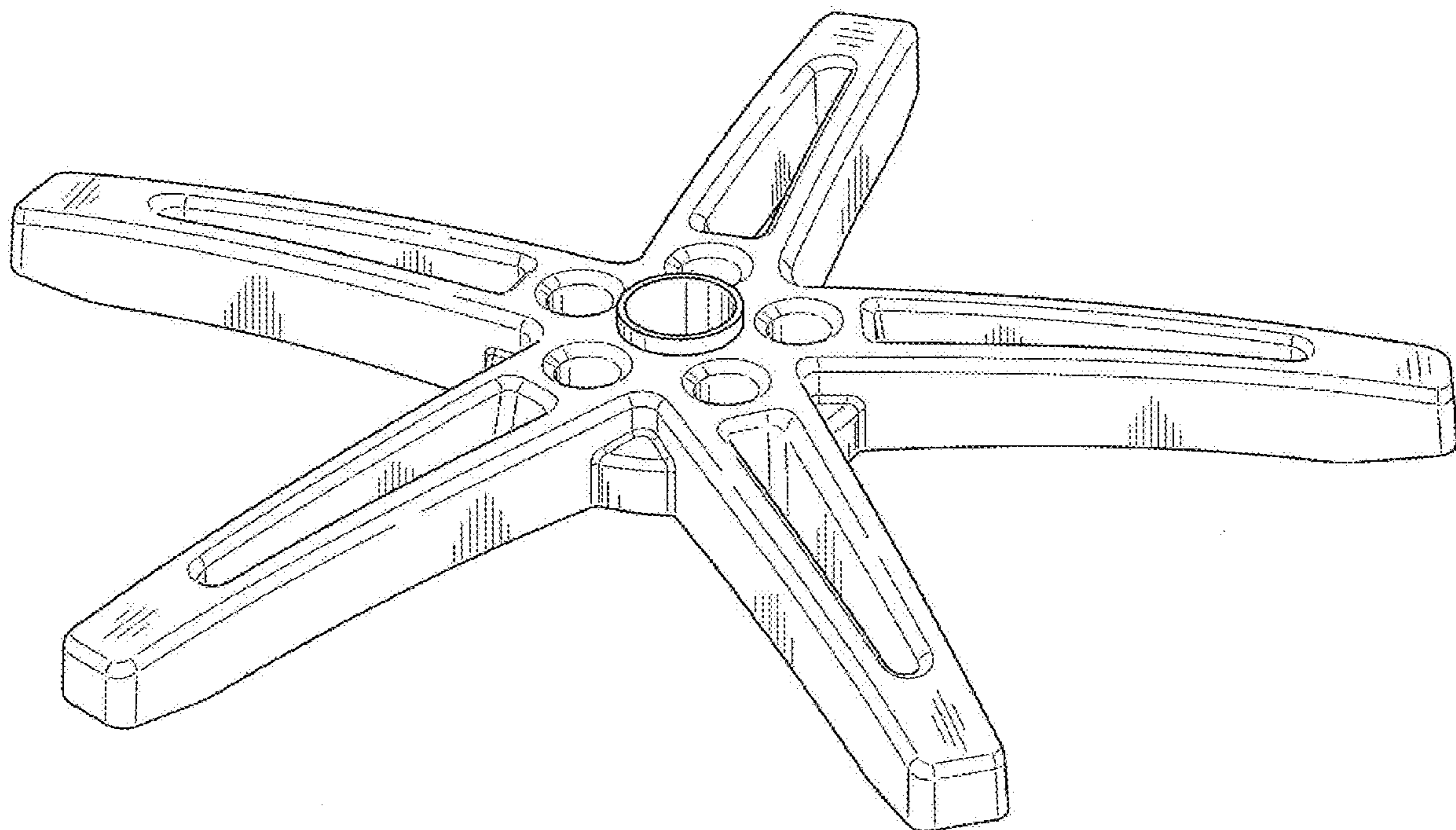
FIG. 6 is a top perspective view of the under-carriage for a playseat.

**U.S. PATENT DOCUMENTS**

The broken lines in the drawings are included for the purpose of illustrating environmental structure and form no part of the claimed design.

D405,618 S \* 2/1999 Reutepohler et al. .... D6/366  
D405,970 S \* 2/1999 Kaczmarek ..... D6/366  
D417,100 S \* 11/1999 Lee ..... D6/498  
D493,986 S \* 8/2004 Fu ..... D6/498  
D494,786 S \* 8/2004 Cheng ..... D6/498

**1 Claim, 6 Drawing Sheets**



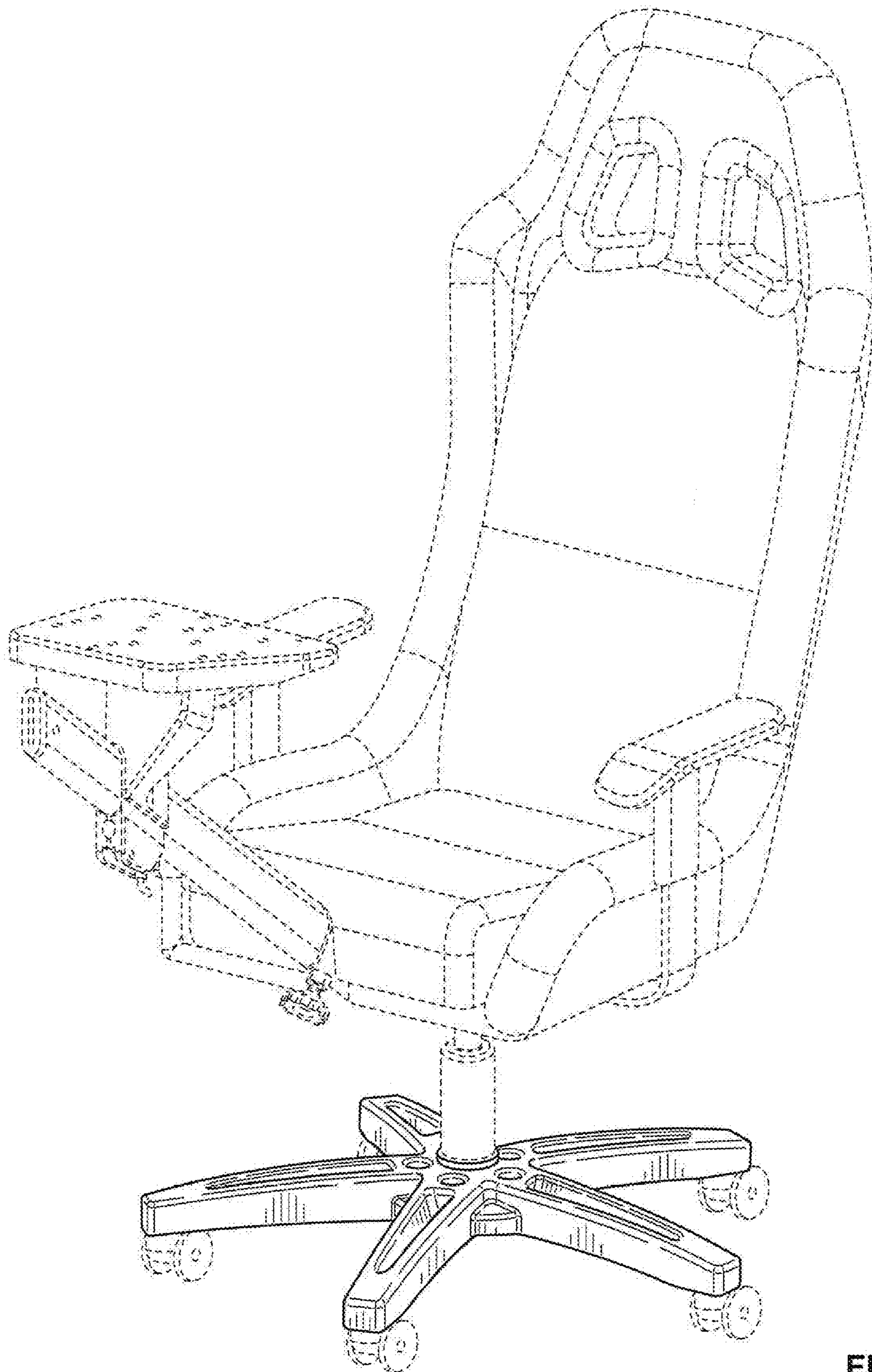


FIG. 1

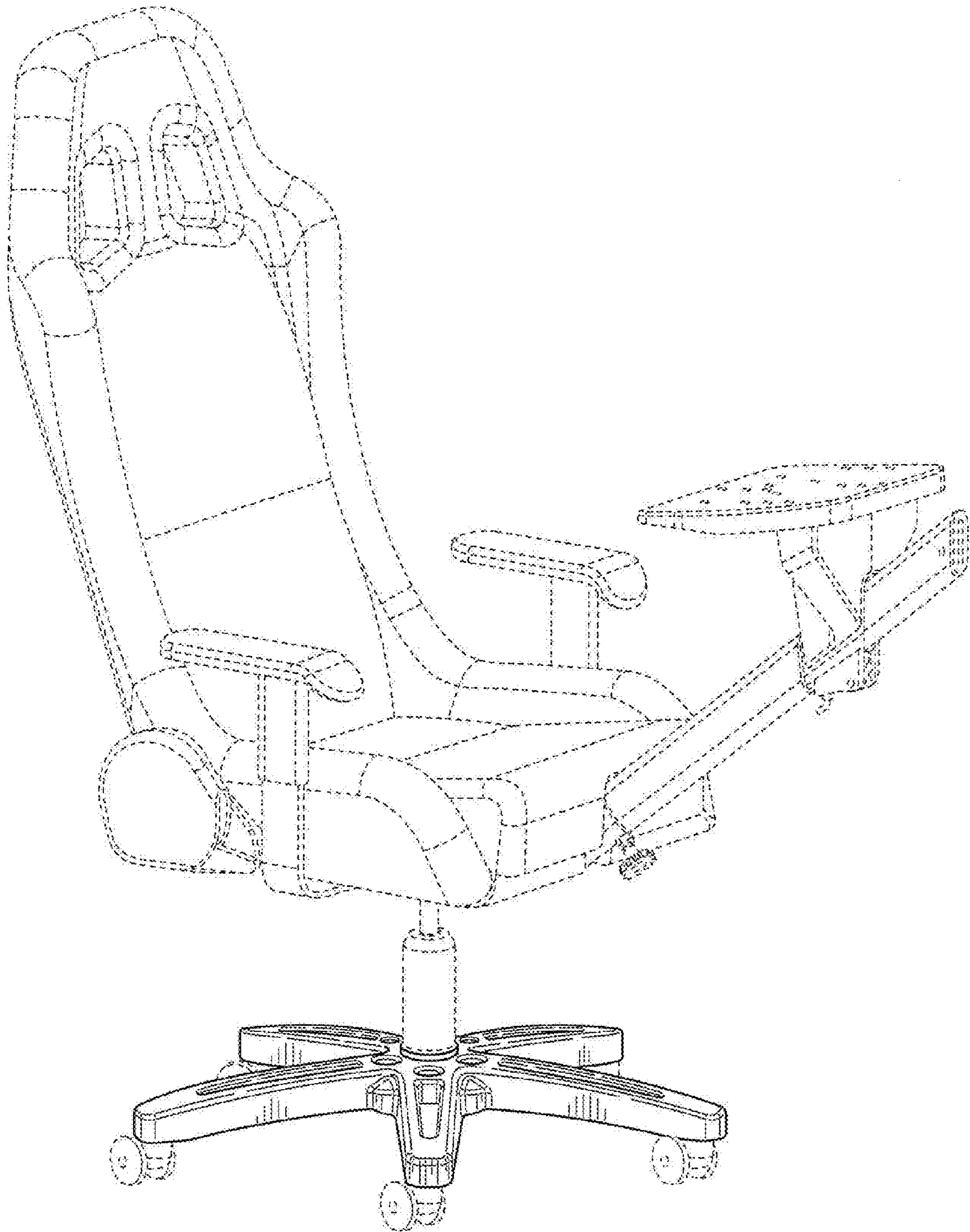


FIG. 2

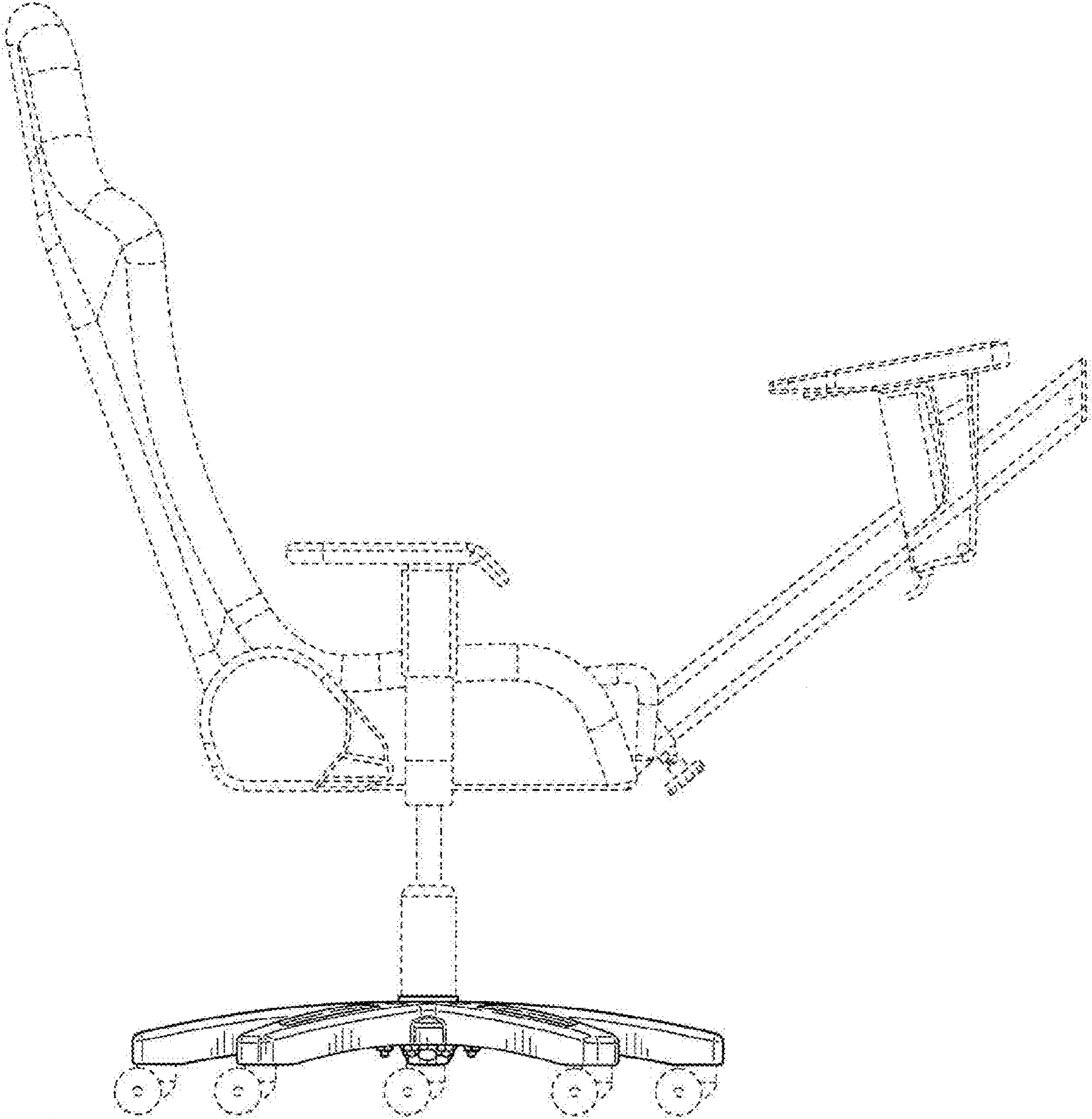


FIG. 3

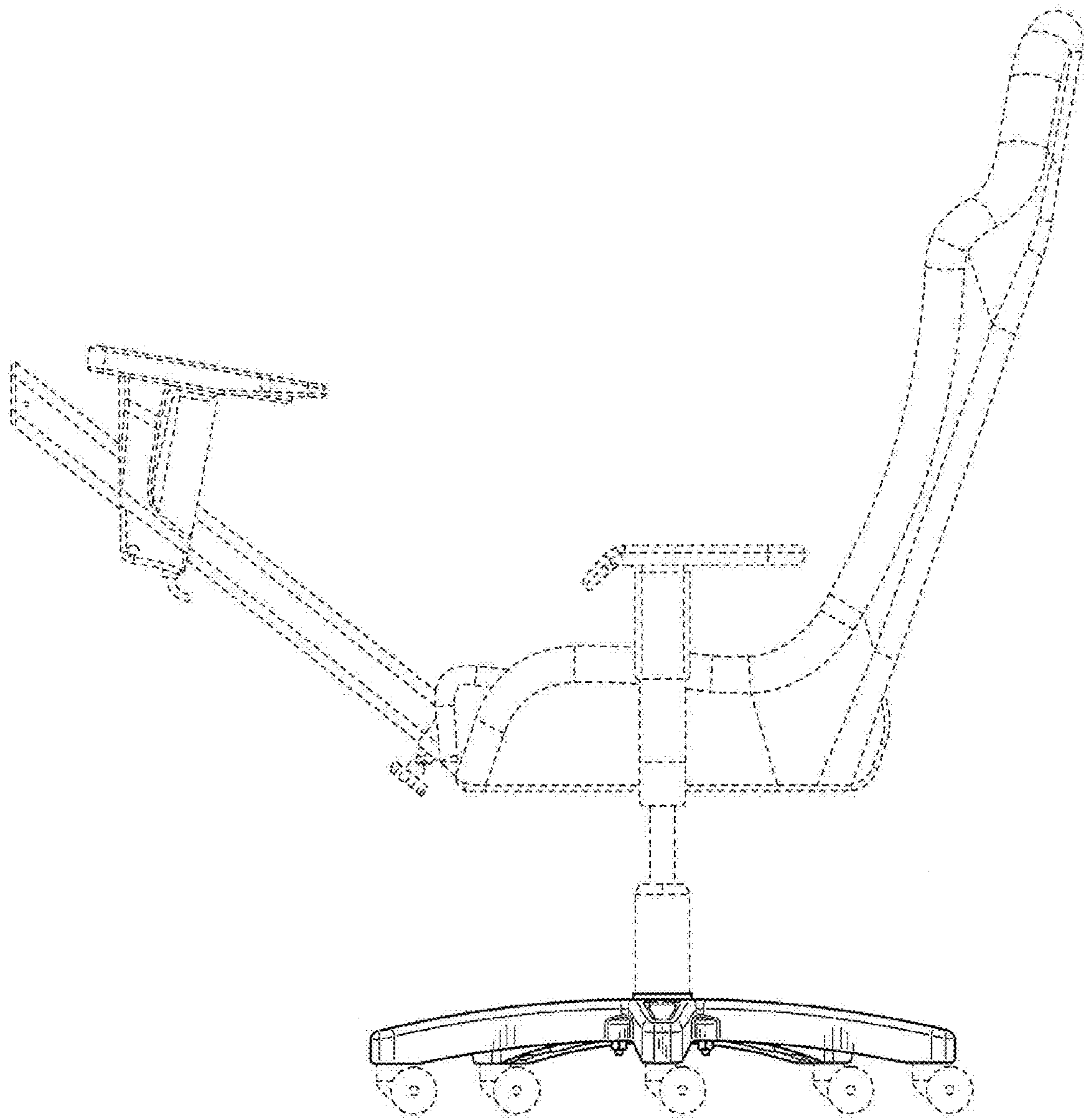


FIG. 4

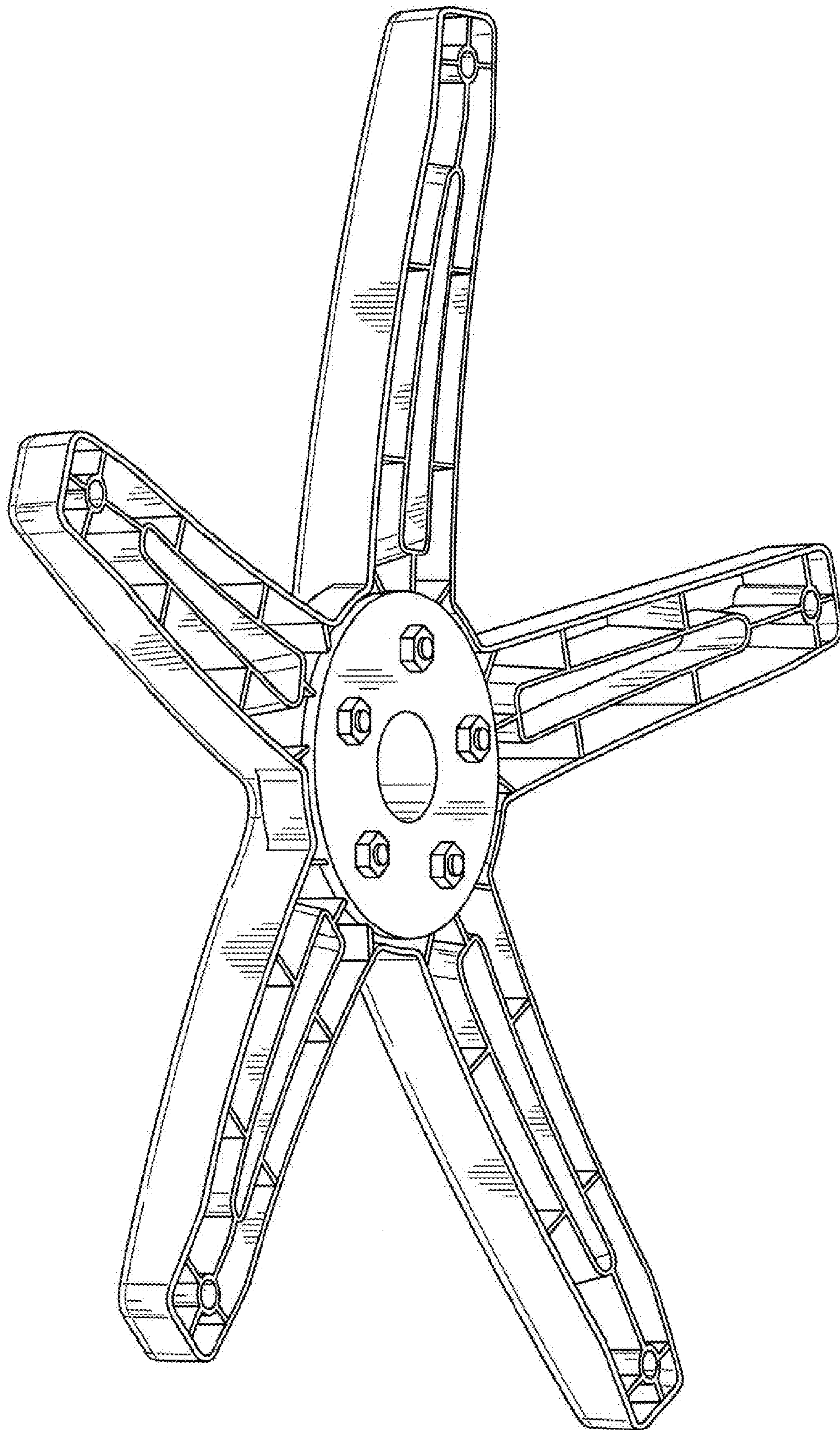


FIG. 5

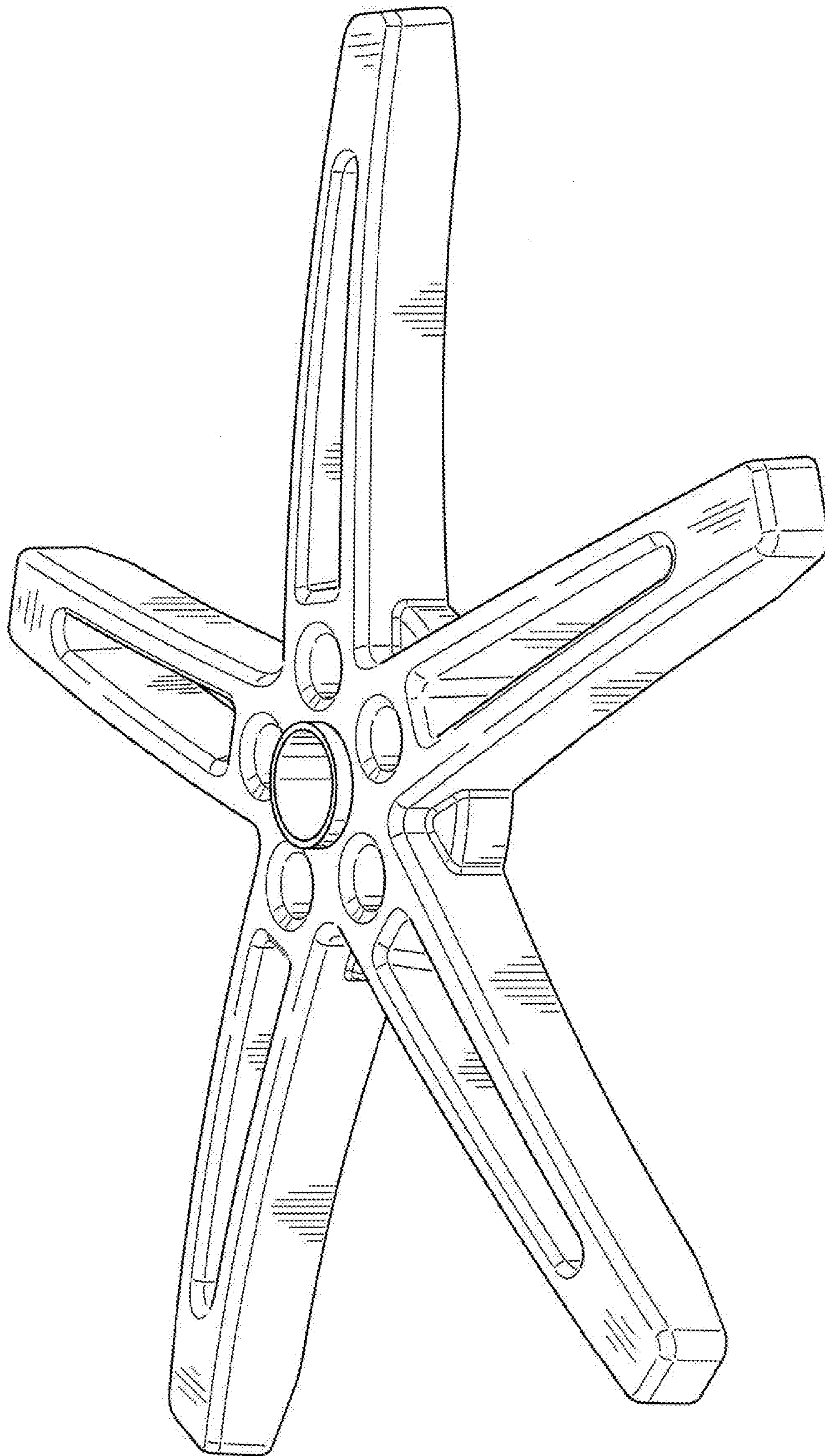


FIG. 6